



US00D358203S

United States Patent [19]

[11] Patent Number: **Des. 358,203**

Smith

[45] Date of Patent: **** May 9, 1995**

[54] INVALID LIFTER FOR TOILETS

4,884,841	12/1989	Halley	4/254 X
4,951,328	8/1990	Potvin	4/254 X
4,993,085	2/1991	Gibbons	4/237 X
5,027,446	7/1991	Robertson	4/254
5,189,739	3/1993	Thierry	4/254

[76] Inventor: **Greg S. Smith**, 512 Wardell St.,
Corning, Ark. 72422

[**] Term: **14 Years**

Primary Examiner—James R. Largen
Attorney, Agent, or Firm—S. Michael Bender

[21] Appl. No.: **705,892**

[57] **CLAIM**

[22] Filed: **May 28, 1991**

The ornamental design for a invalid lifter for toilets, as shown and described.

[52] U.S. Cl. **D23/309**

[58] Field of Search **D23/309-312;**
4/246.1, 246.4, 254, 560.1, 564.1, 566.1

DESCRIPTION

[56] **References Cited**

U.S. PATENT DOCUMENTS

D. 197,457	2/1964	Wood	D23/309 X
D. 234,202	1/1975	Aldred	D23/311
D. 278,178	3/1985	Loyd	D23/311
D. 321,757	11/1991	Aldred et al.	D23/311
D. 332,304	1/1993	Lefebure	D23/311
3,060,458	10/1962	Burke	4/237
3,473,174	8/1966	Cool	4/254
4,168,552	9/1979	Austin	4/254 X
4,833,736	5/1989	Sadler et al.	4/254 X

FIG. 1 is a front elevational view of the invalid lifter for toilets showing my new design;
FIG. 2 is a rear elevational view thereof;
FIG. 3 is a left side elevational view thereof;
FIG. 4 is a right side elevational view thereof;
FIG. 5 is a top plan view thereof;
FIG. 6 is a bottom plan view thereof; and,
FIG. 7 is a top front perspective view thereof. The broken line representation of a toilet in FIG. 7 is for purposes of illustration only and forms no part of the claimed design.

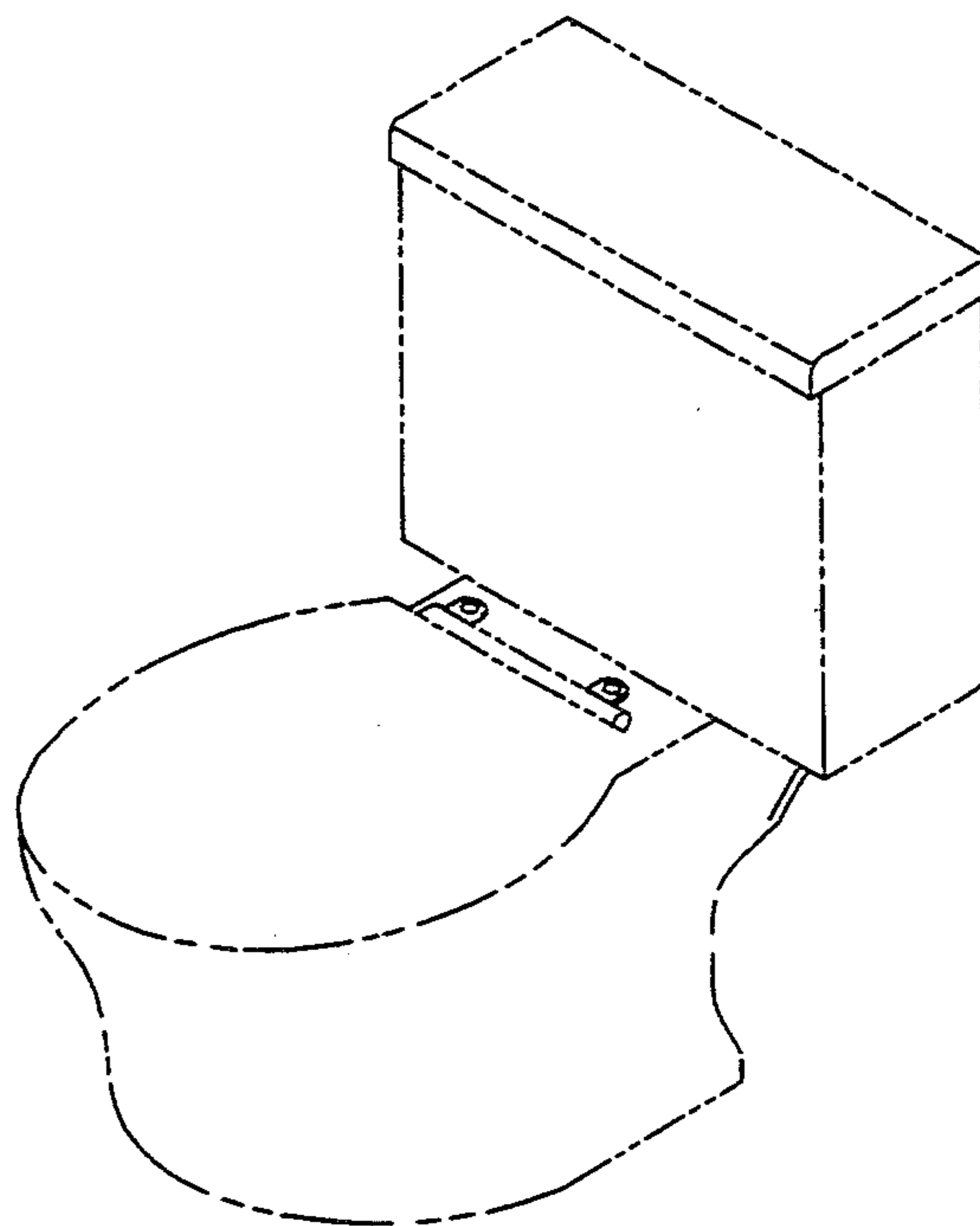
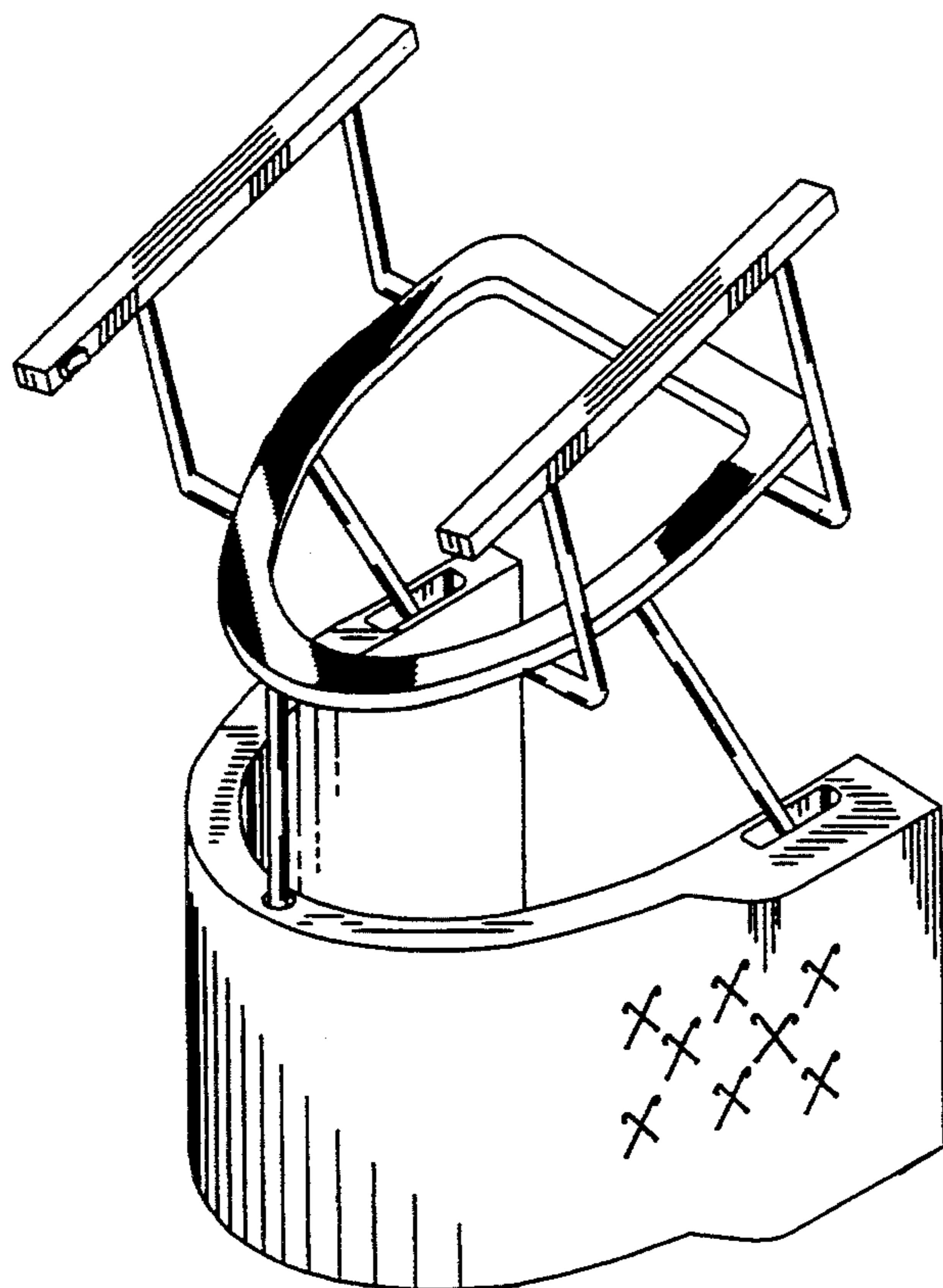


FIG. 1

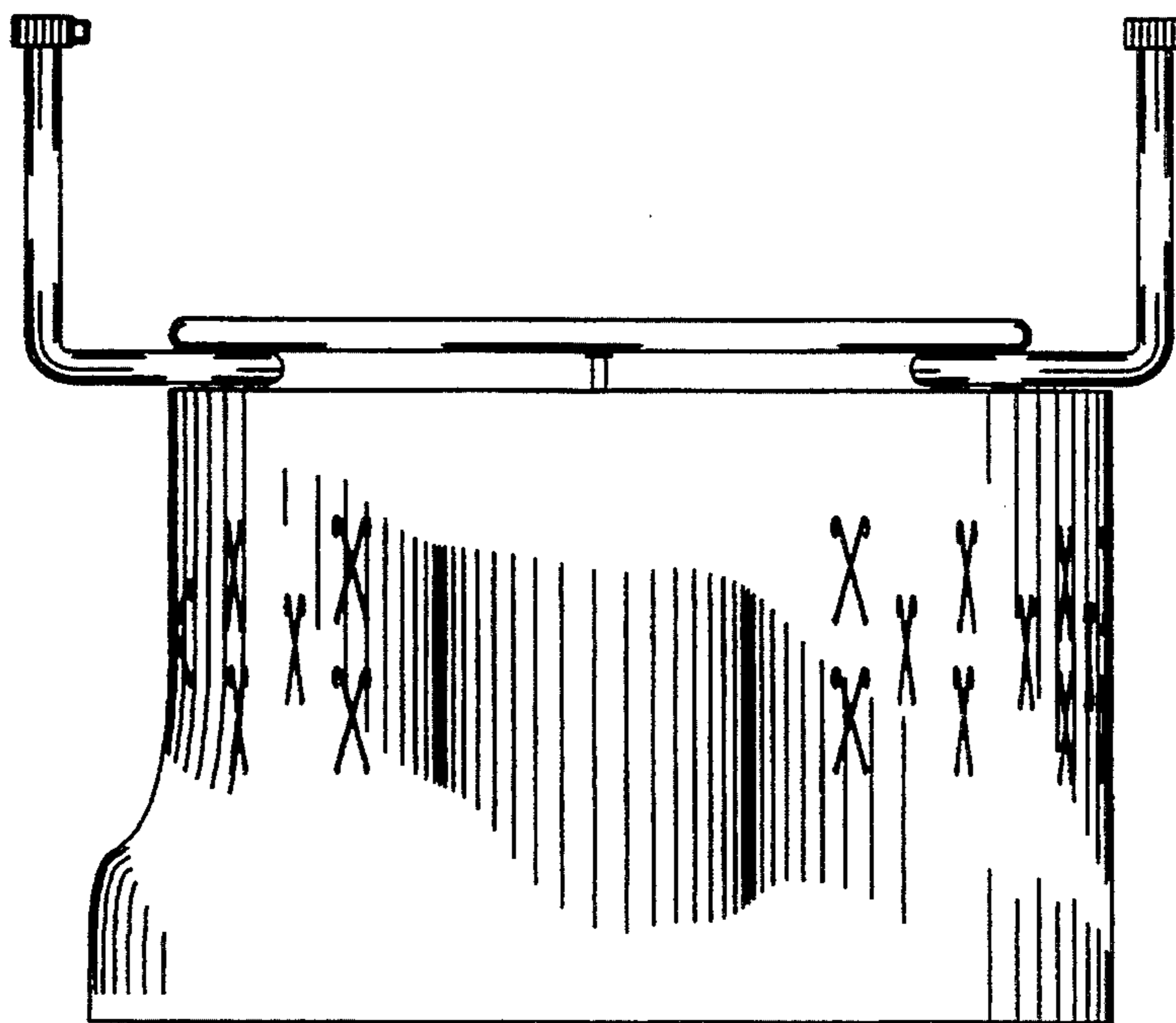


FIG. 2

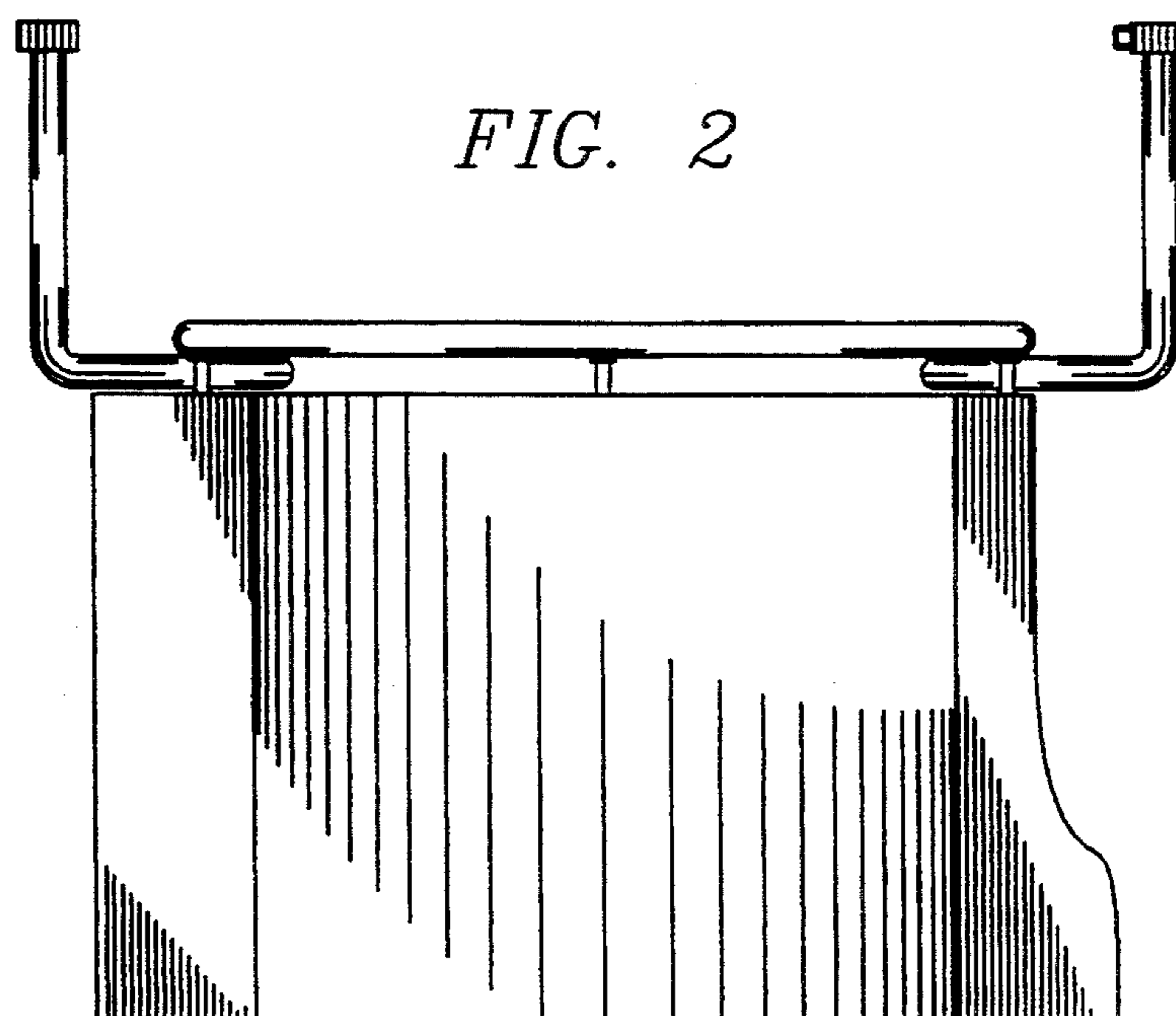


FIG. 3

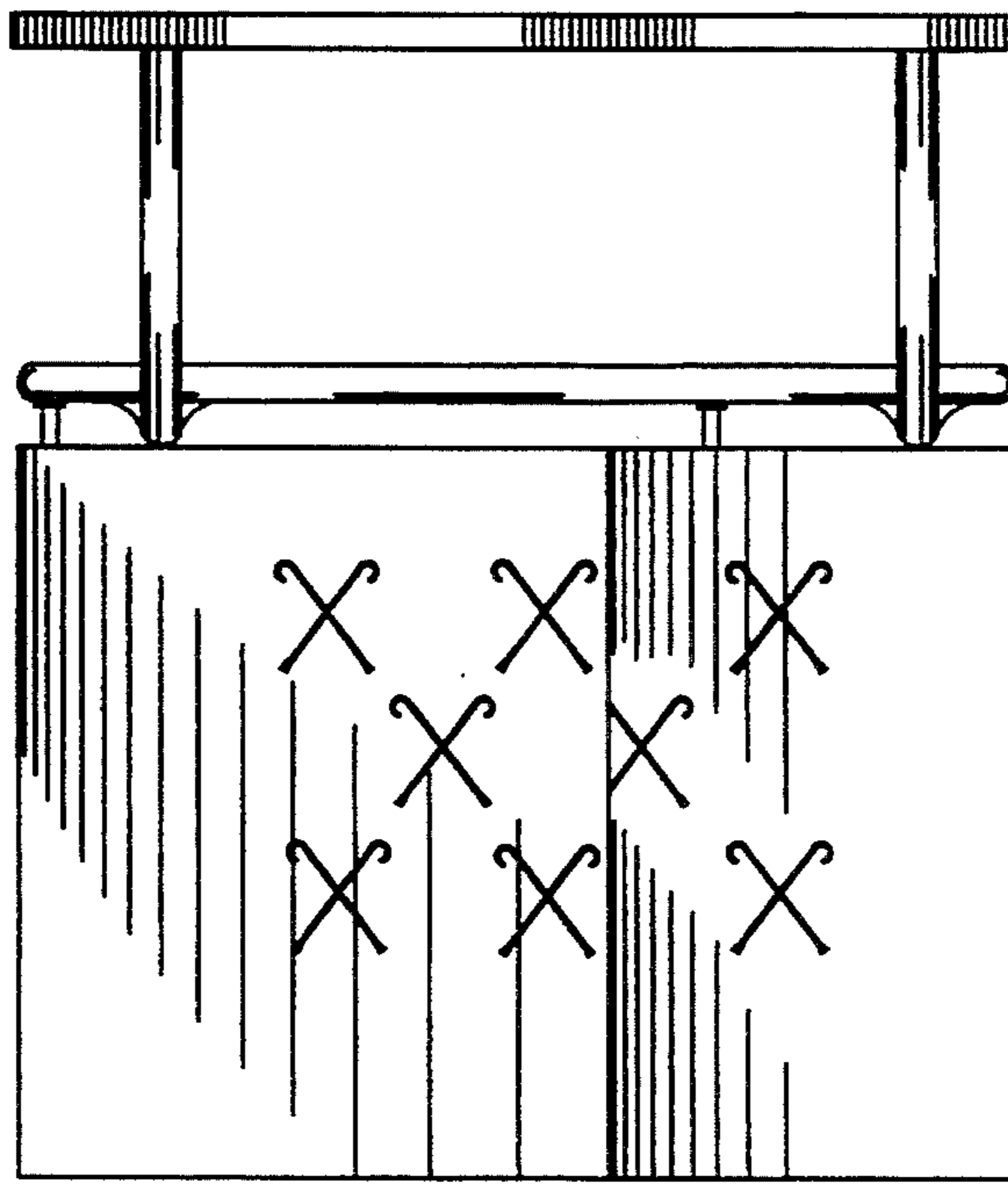


FIG. 4

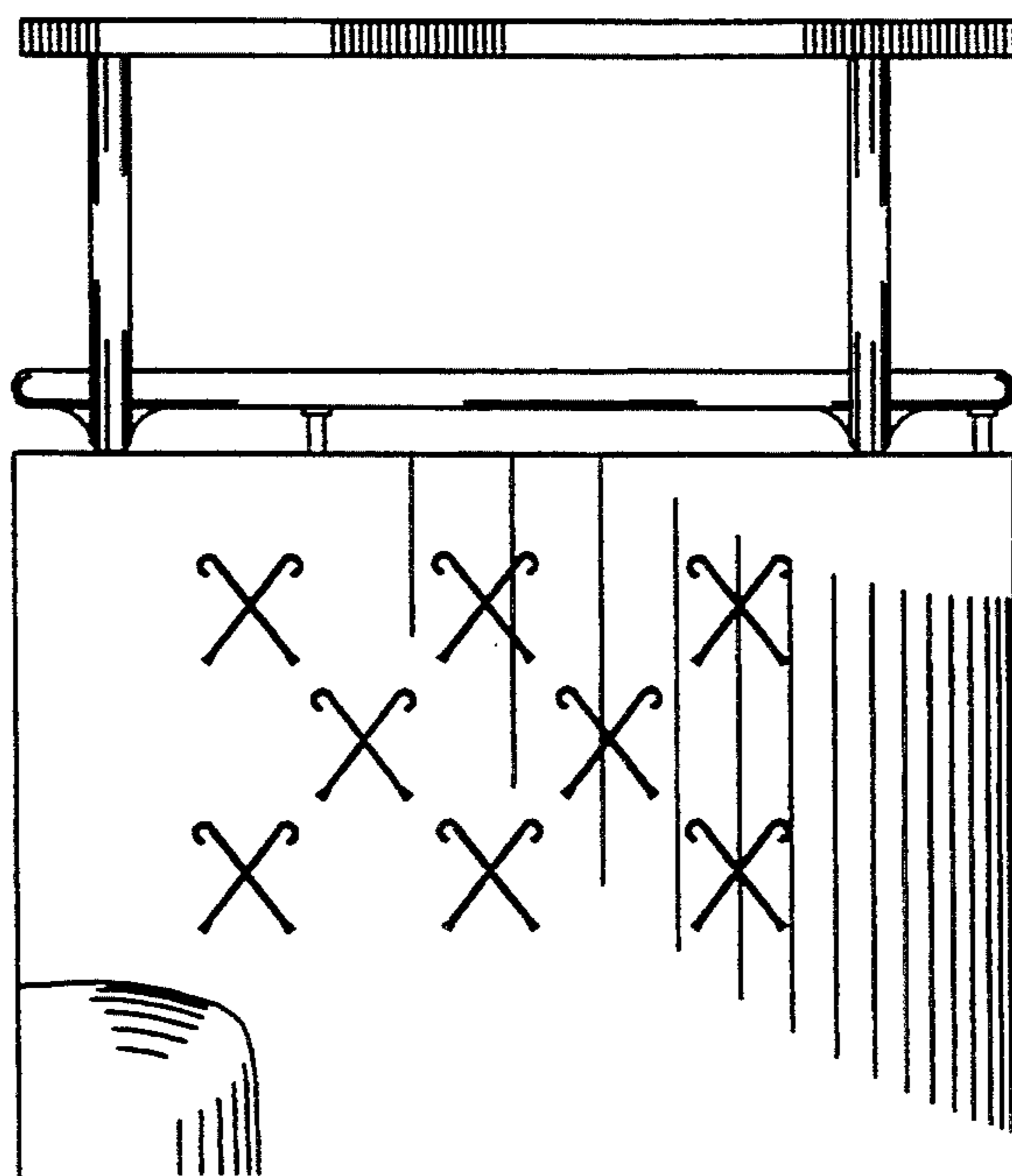


FIG. 5

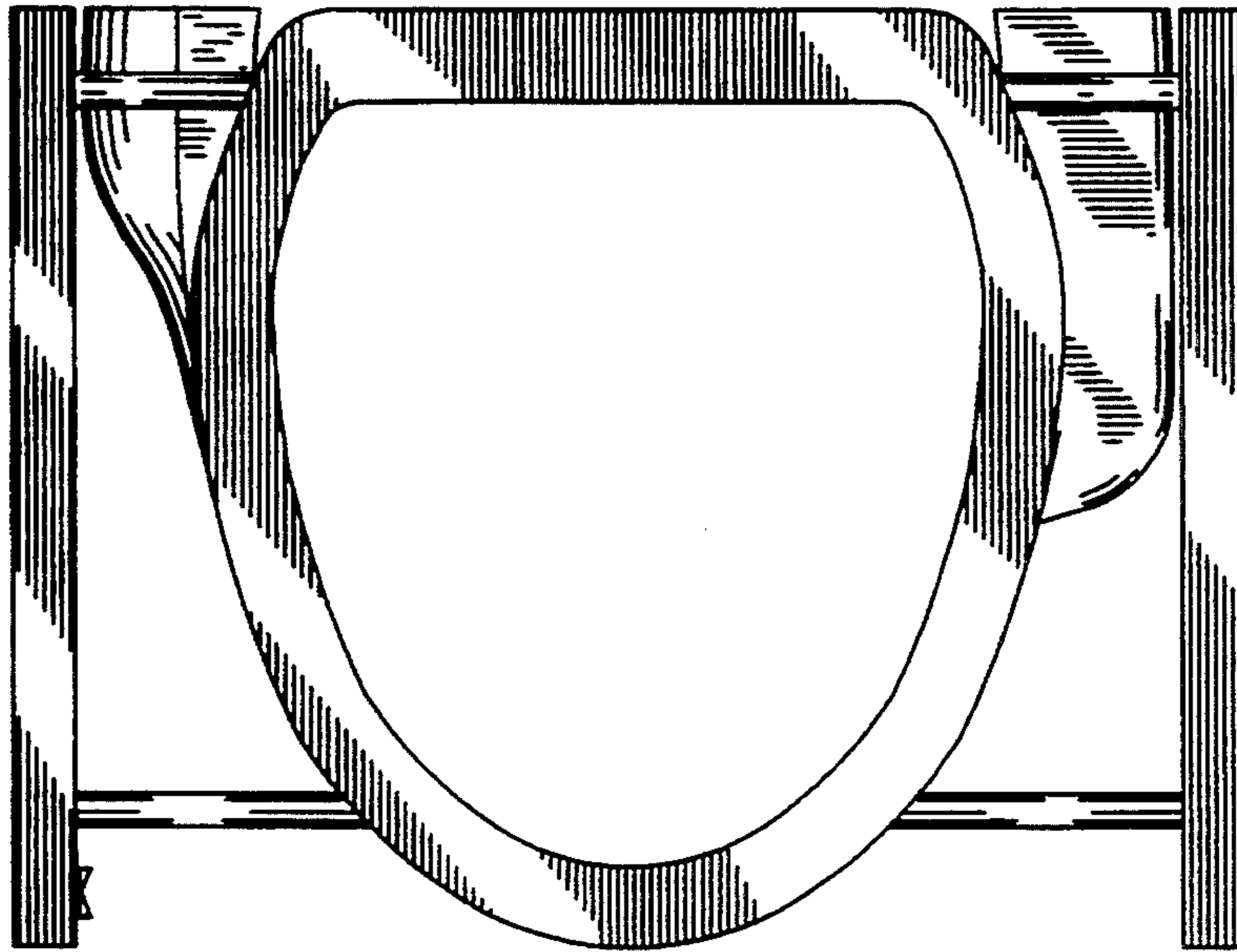


FIG. 6

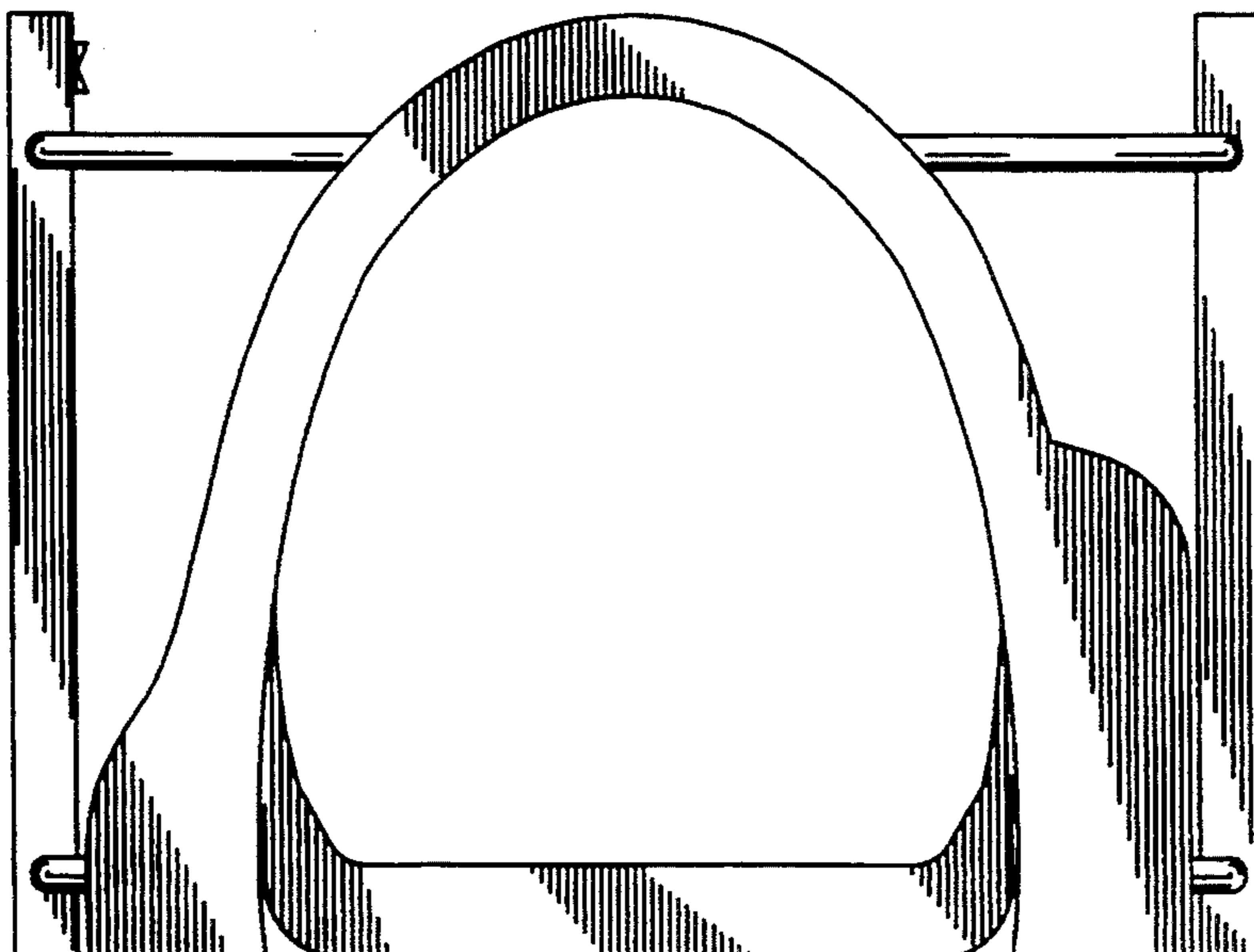


FIG. 7

