



US00D358202S

United States Patent [19]

[11] Patent Number: **Des. 358,202**

Sisk

[45] Date of Patent: **** May 9, 1995**

[54] **REINFORCED STRUCTURAL TEE**

4,889,318 12/1989 Sisk 285/423 X
5,052,721 10/1991 German, Jr. 285/423 X

[76] Inventor: **David E. Sisk**, 7353 Hillsboro Rd.,
Bonne Terre, Mo. 63628

Primary Examiner—A. Hugo Word
Assistant Examiner—Eric Watterson
Attorney, Agent, or Firm—Paul M. Denk

[**] Term: **14 Years**

[21] Appl. No.: **17,277**

[57] **CLAIM**

[22] Filed: **Jan. 10, 1994**

The ornamental design for the reinforced structural tee,
as shown and described.

[52] U.S. Cl. **D23/263**

[58] Field of Search D23/259, 262, 263, 264,
D23/265; D34/28; 251/143, 356; 285/156, 405,
423; 406/108, 123

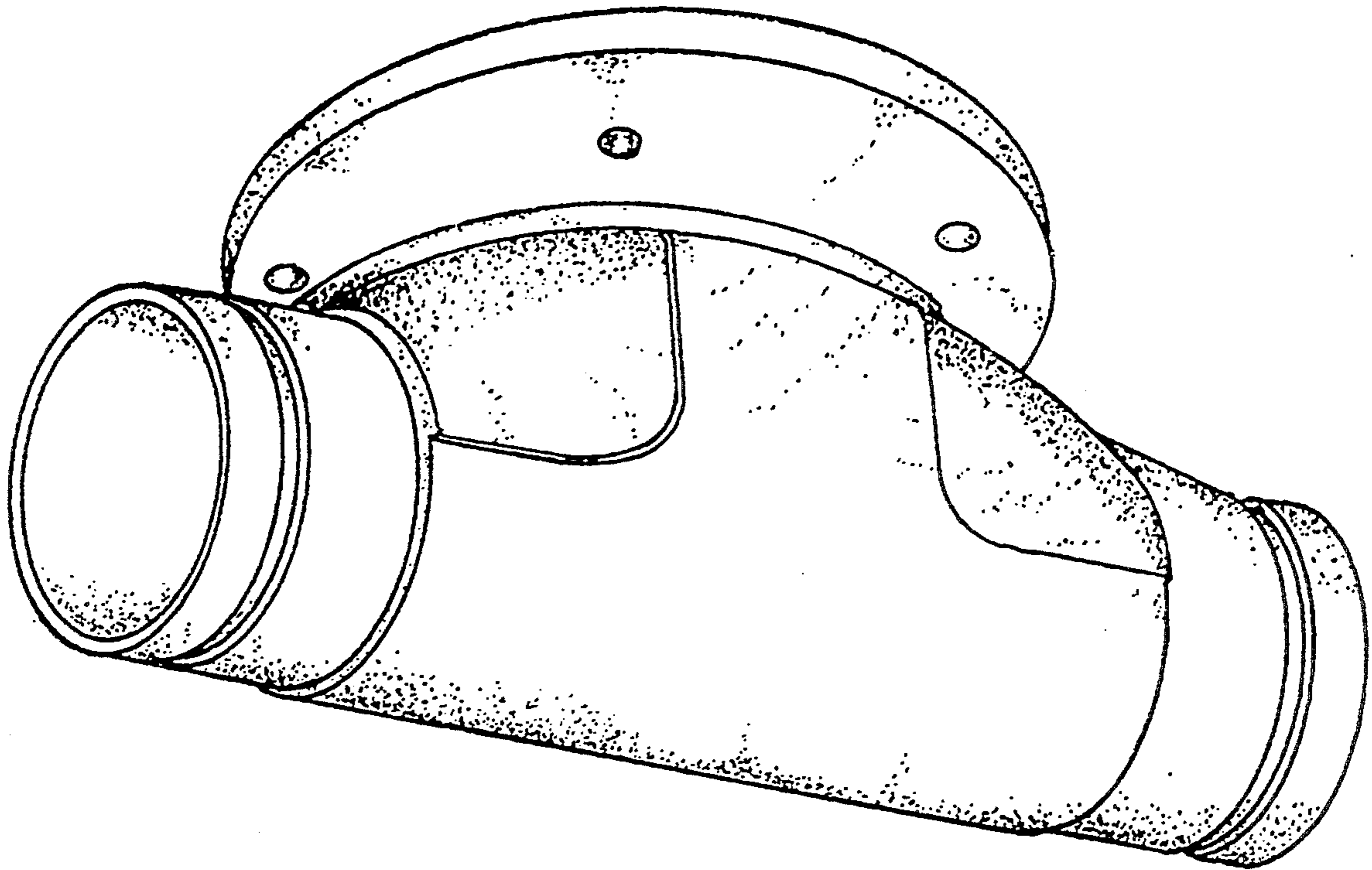
DESCRIPTION

[56] **References Cited**

U.S. PATENT DOCUMENTS

1,407,791 2/1922 Fowler et al. 285/405
4,106,797 8/1978 Michael 285/423 X
4,419,231 12/1983 Friedl 210/164

FIG. 1 is an isometric view of the reinforced structural tee of this invention;
FIG. 2 is a top plan view thereof;
FIG. 3 is a left side view of the structural tee, the right side view being a mirror image thereof;
FIG. 4 is a bottom view thereof; and,
FIG. 5 is a end of the structural tee, with the opposite end view being a mirror image thereof.



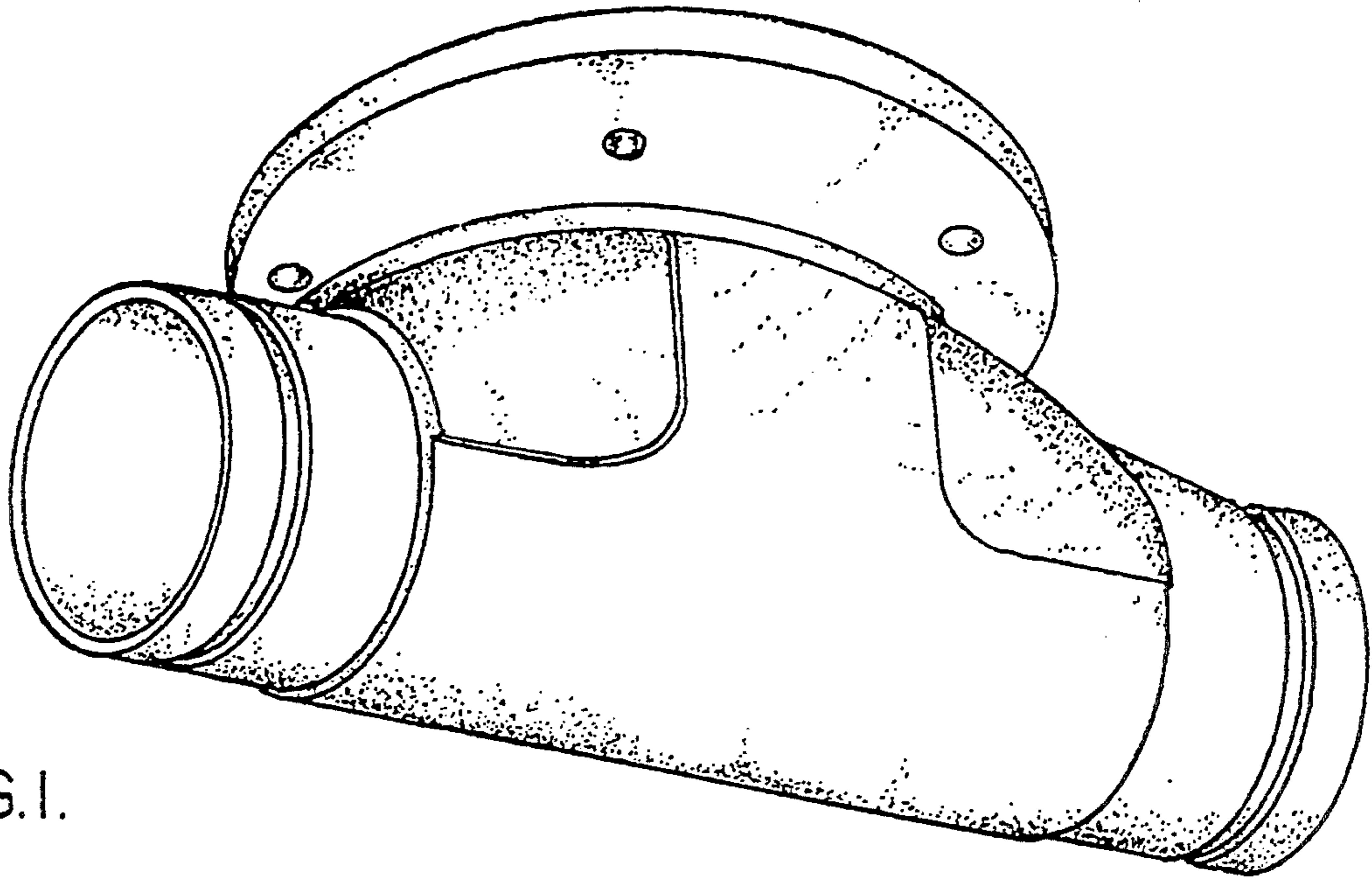


FIG. 1.

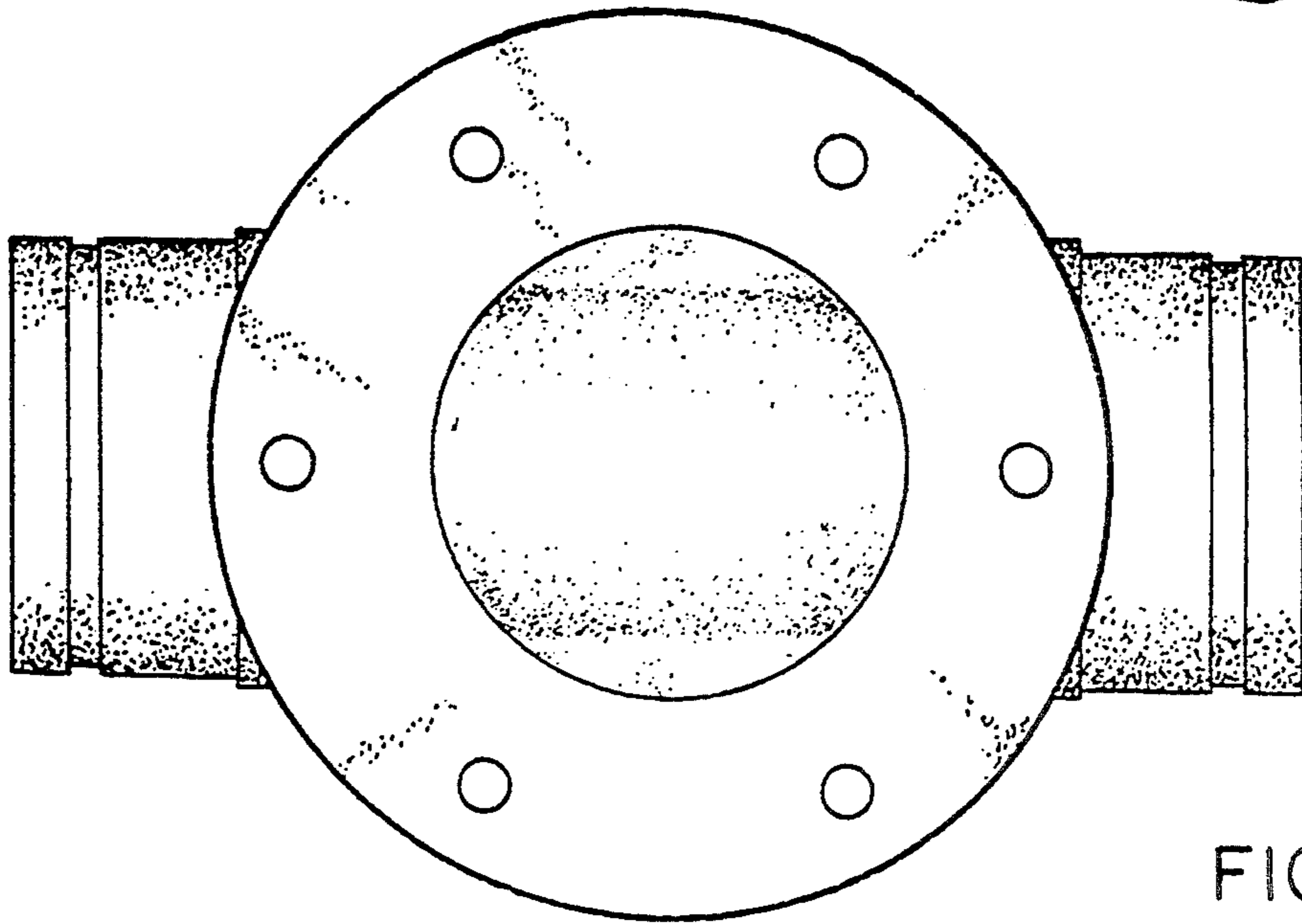


FIG. 2.

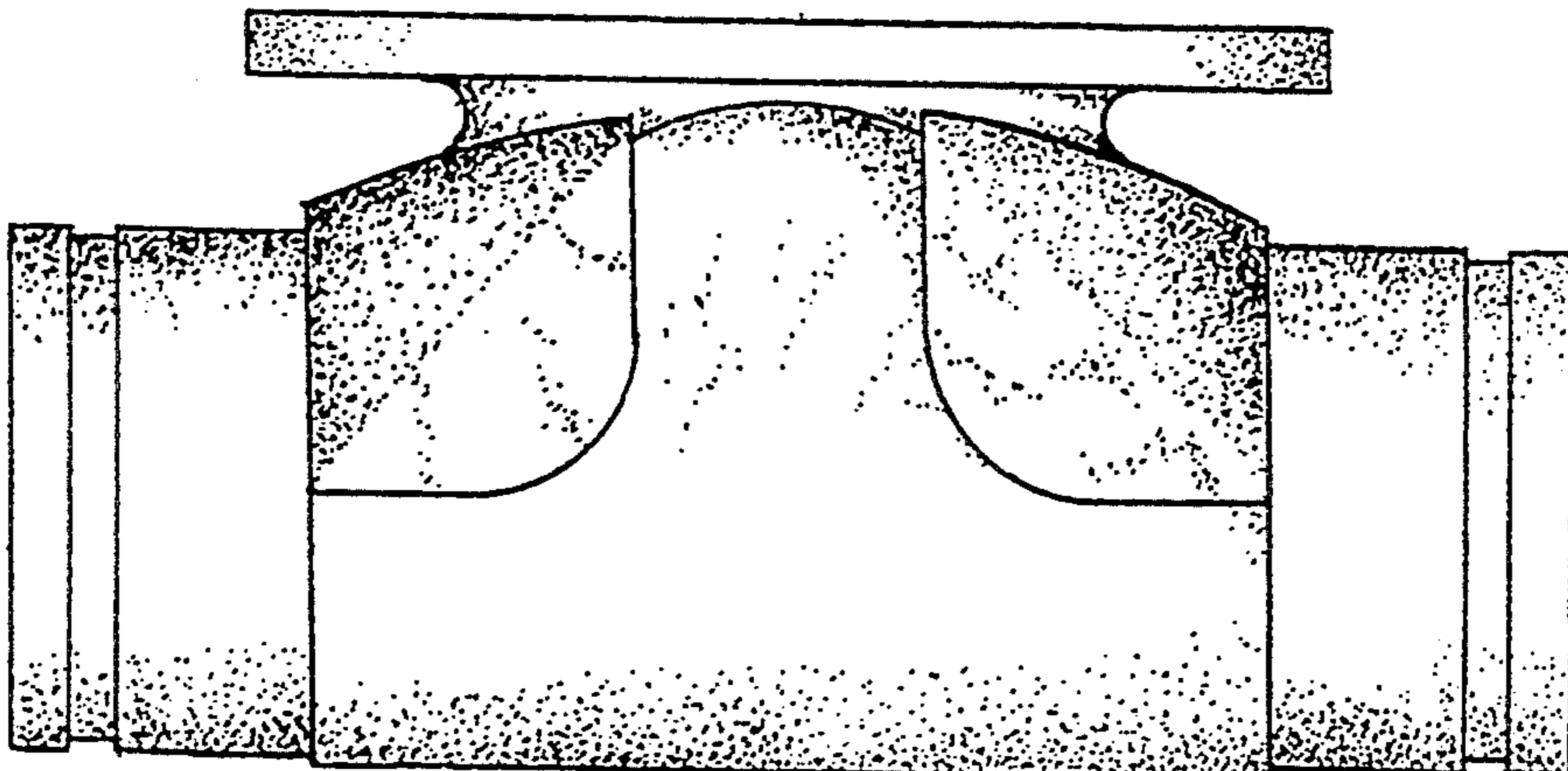


FIG. 3.

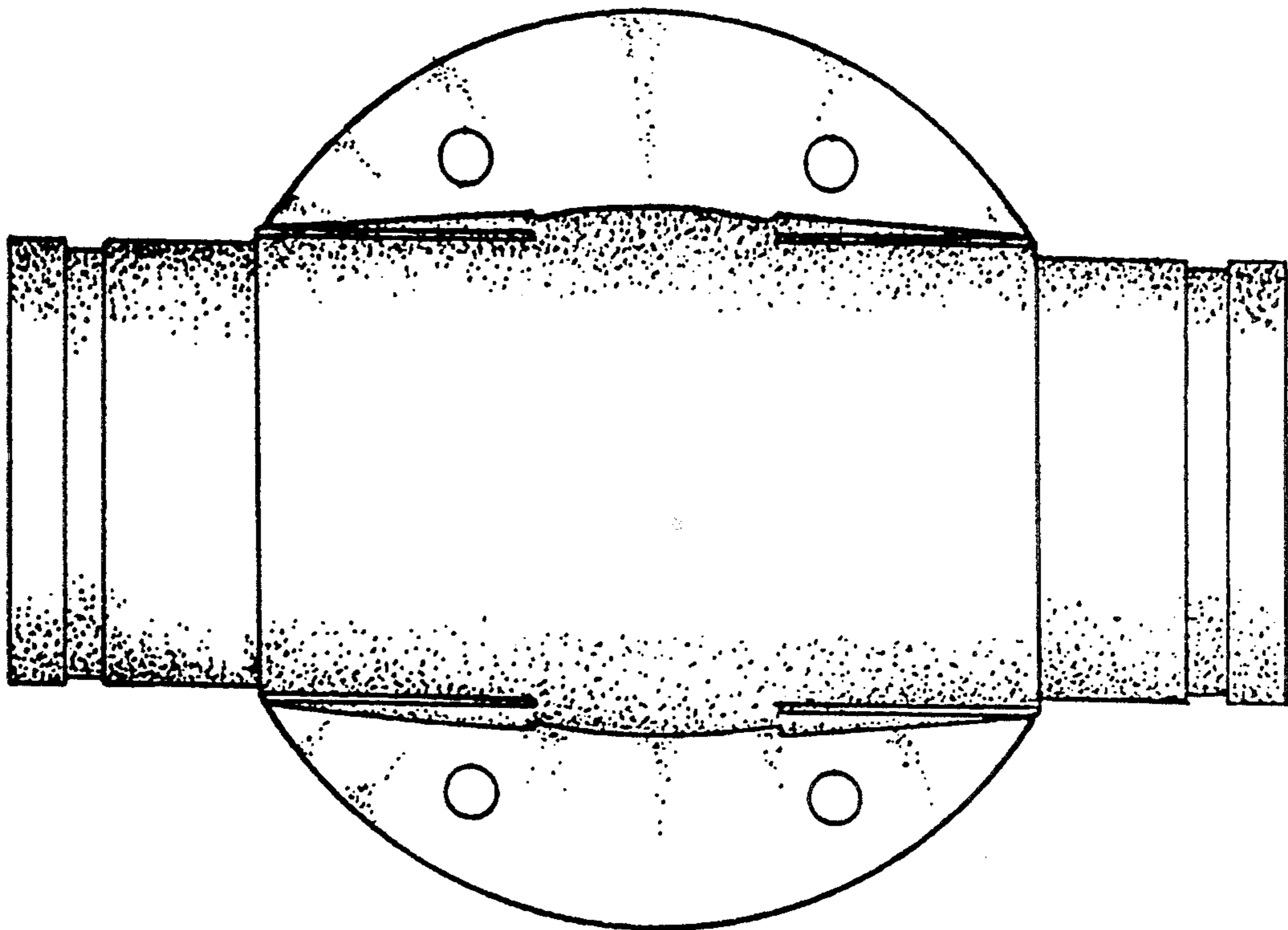


FIG. 4.

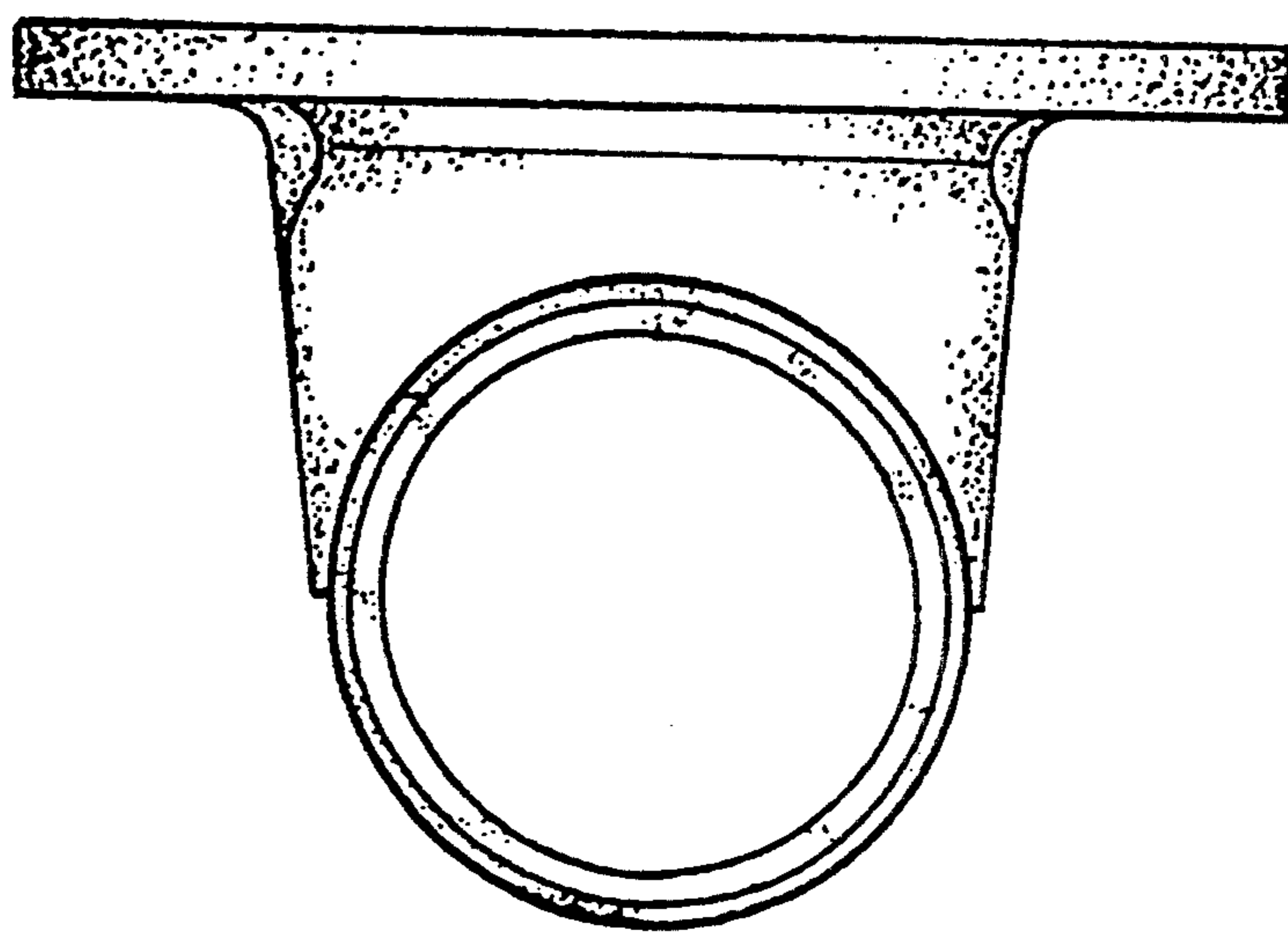


FIG. 5.