



US00D358201S

# United States Patent [19]

[11] Patent Number: **Des. 358,201**

Wilhelm et al.

[45] Date of Patent: **\*\* May 9, 1995**

[54] **COMBINED TOILET AND TOILET SEAT CLEANING UNIT**

[75] Inventors: **Werner Wilhelm, Oberrieden; Ulrich Lehmann, Birmensdorf, both of Switzerland**

[73] Assignee: **CWS International AG, Baar, Switzerland**

[\*\*] Term: **14 Years**

[21] Appl. No.: **12,879**

[22] Filed: **Sep. 13, 1993**

[30] **Foreign Application Priority Data**

Mar. 16, 1993 [WO] WIPO ..... DM/025525

[52] U.S. Cl. .... **D23/260**

[58] Field of Search ..... D23/295-301, D23/271; 4/233, 252.2, 252.3

[56] **References Cited**

**U.S. PATENT DOCUMENTS**

- D. 116,810 9/1939 Uphues ..... D23/301
- D. 273,701 5/1984 Bengtson ..... D23/300
- D. 331,451 12/1992 Bourgeois ..... D23/301 X
- 4,729,133 3/1988 Wileman, III et al. .... 4/233
- 4,734,942 4/1988 Blanchard ..... 4/233
- 4,785,482 11/1988 Nelva-Pasqual et al. .... 4/233
- 4,853,982 8/1989 Martinval ..... 4/233

*Primary Examiner*—A. Hugo Word  
*Assistant Examiner*—Eric M. Watterson  
*Attorney, Agent, or Firm*—Schweitzer Cornman & Gross

[57] **CLAIM**

The ornamental design for a combined toilet and toilet seat cleaning unit, as shown and described.

**DESCRIPTION**

FIG. 1 is a perspective view taken from the top, front, and right side of a combined toilet and toilet seat cleaning unit showing our new design;

FIG. 2 is another perspective view taken from the top, front and right side thereof, showing the cleaning unit in a partially lowered position;

FIG. 3 is a third perspective view taken from the top, front and right side thereof, showing the cleaning unit in a completely lowered position;

FIG. 4 is a perspective view taken from the top and front of FIG. 1;

FIG. 5 is a front perspective view thereof showing the toilet seat in a raised position;

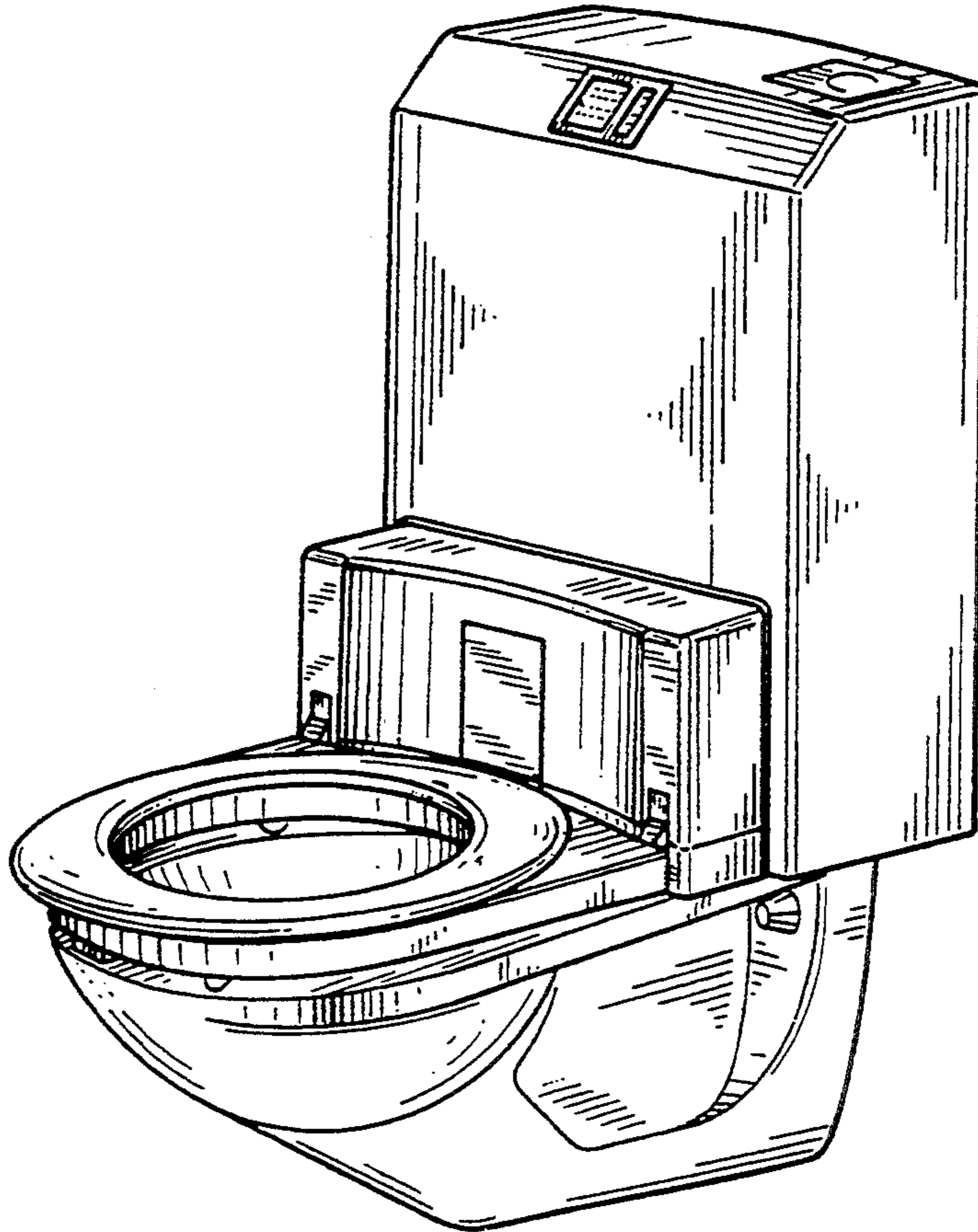
FIG. 6 is a front elevational view of that shown in FIG. 4;

FIG. 7 is a left side elevational view thereof;

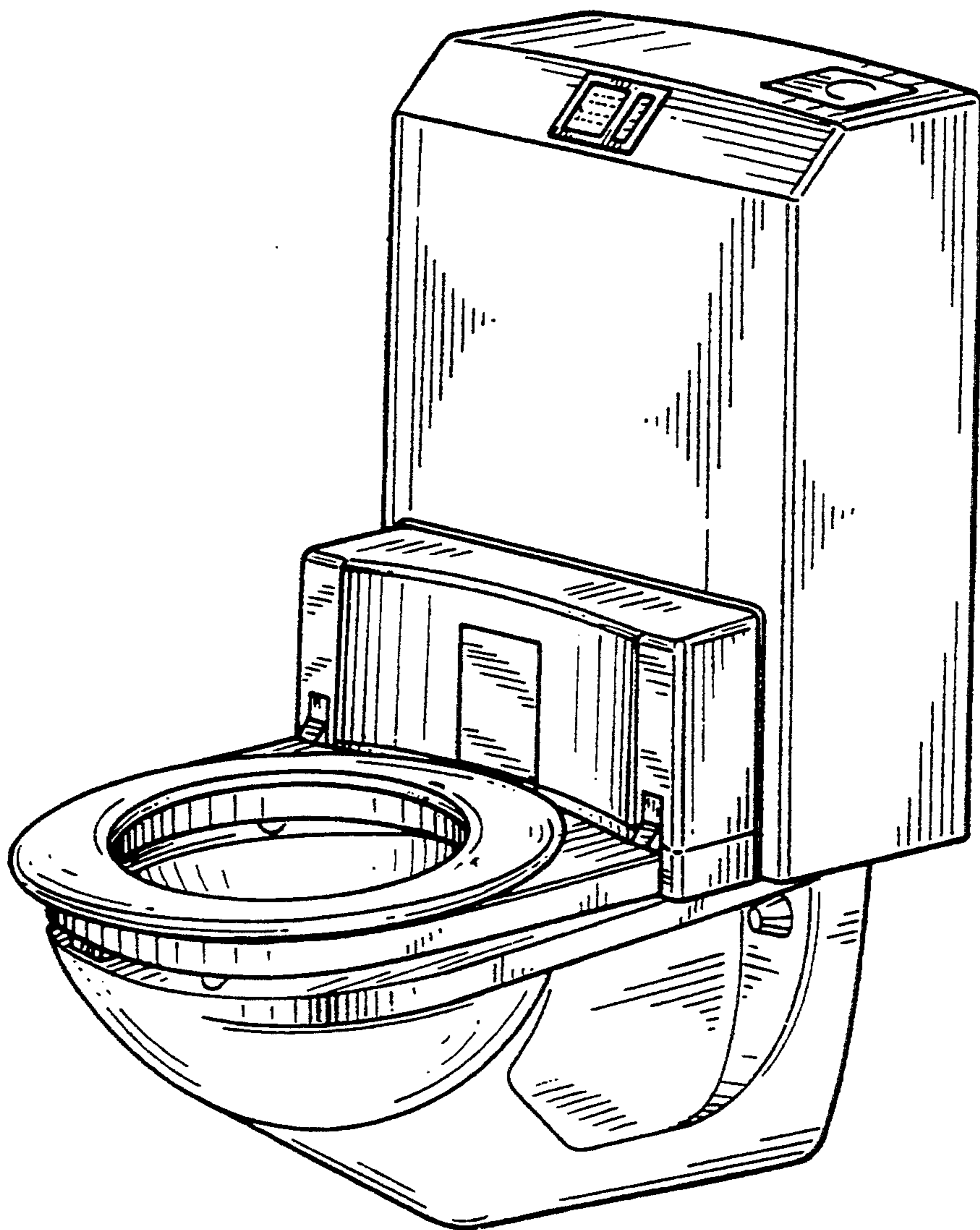
FIG. 8 is a right side elevational view thereof;

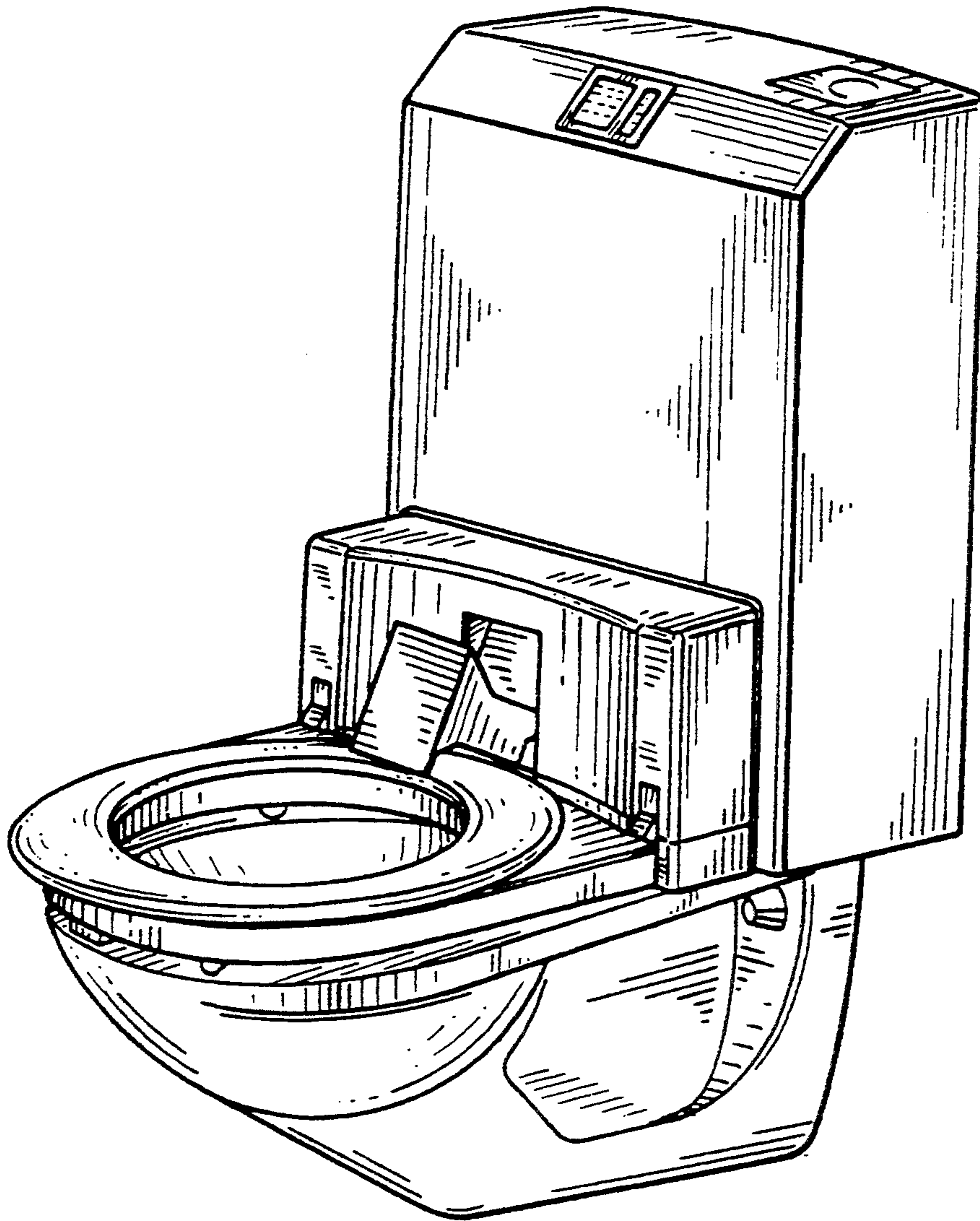
FIG. 9 is a top plan view thereof; and,

FIG. 10 is a bottom plan view thereof.

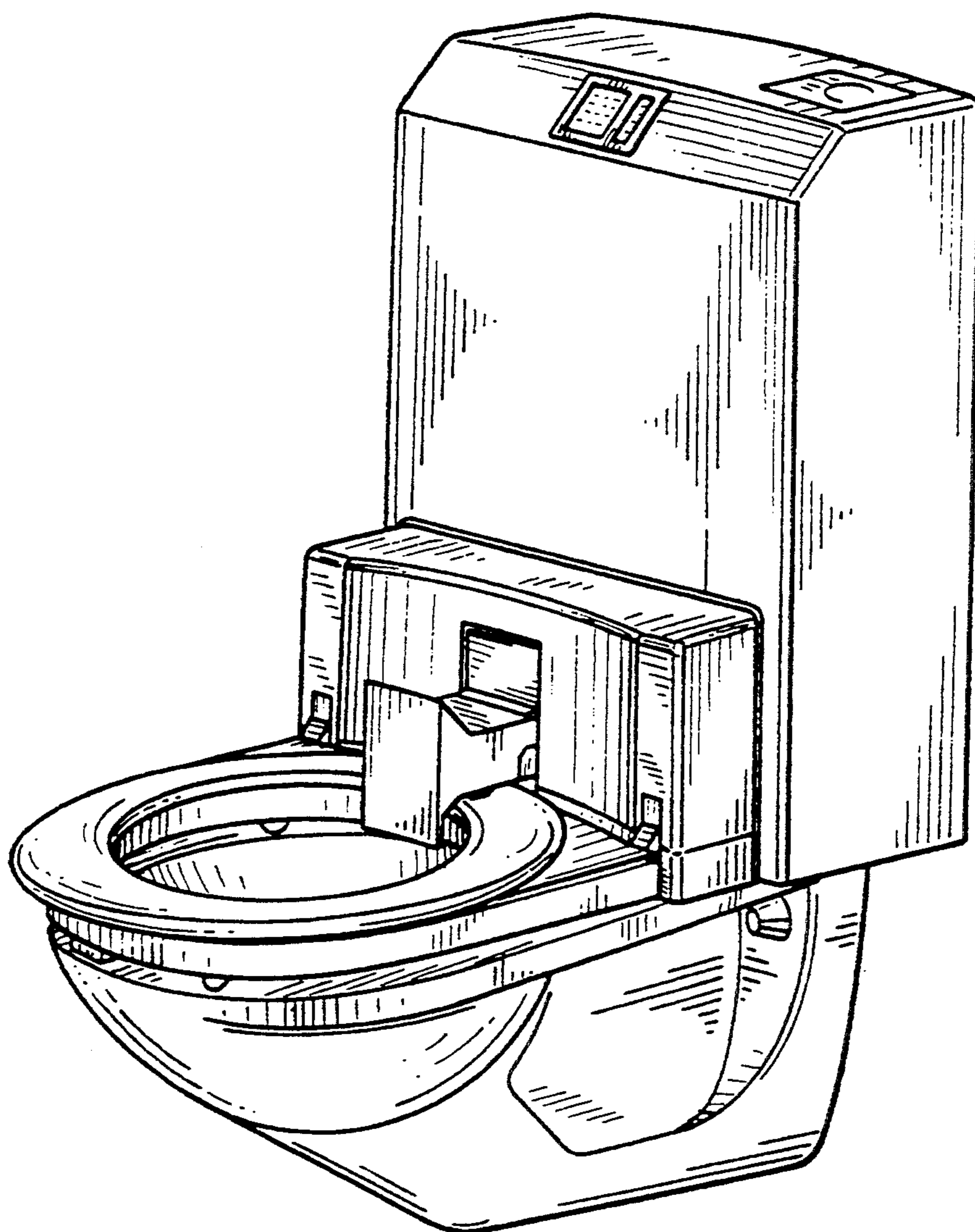


*FIG. 1*





*FIG. 2*



*FIG. 3*

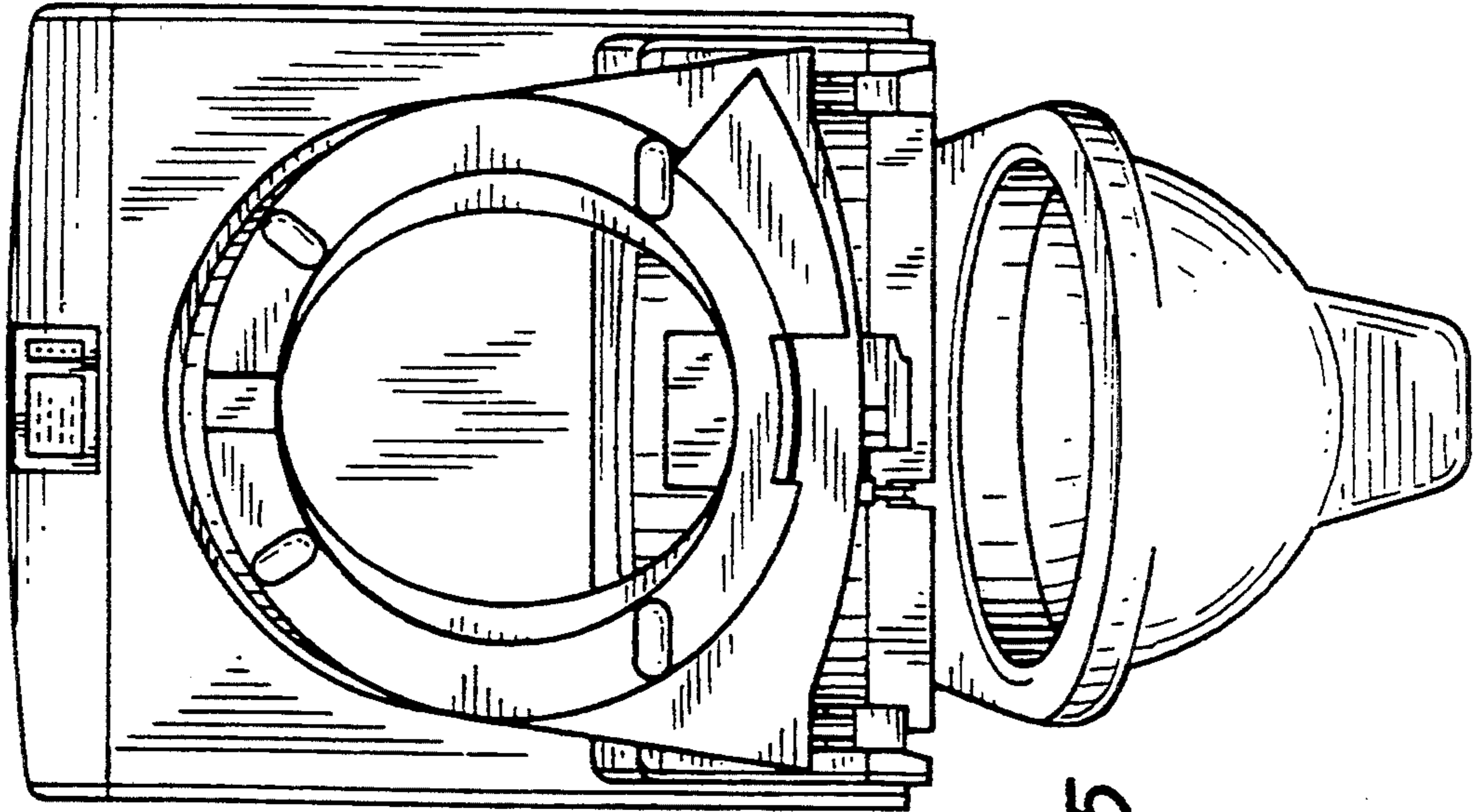


FIG. 5

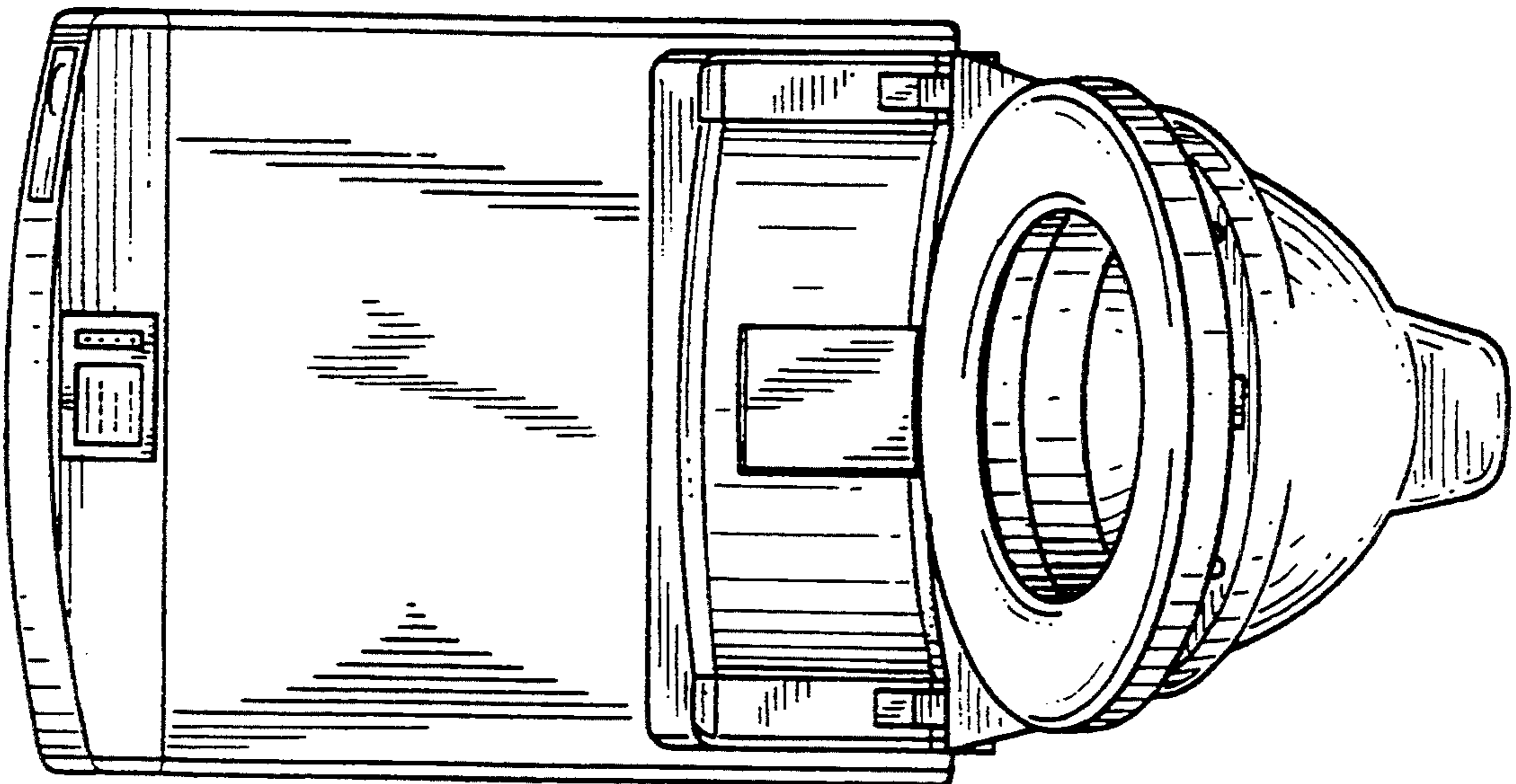
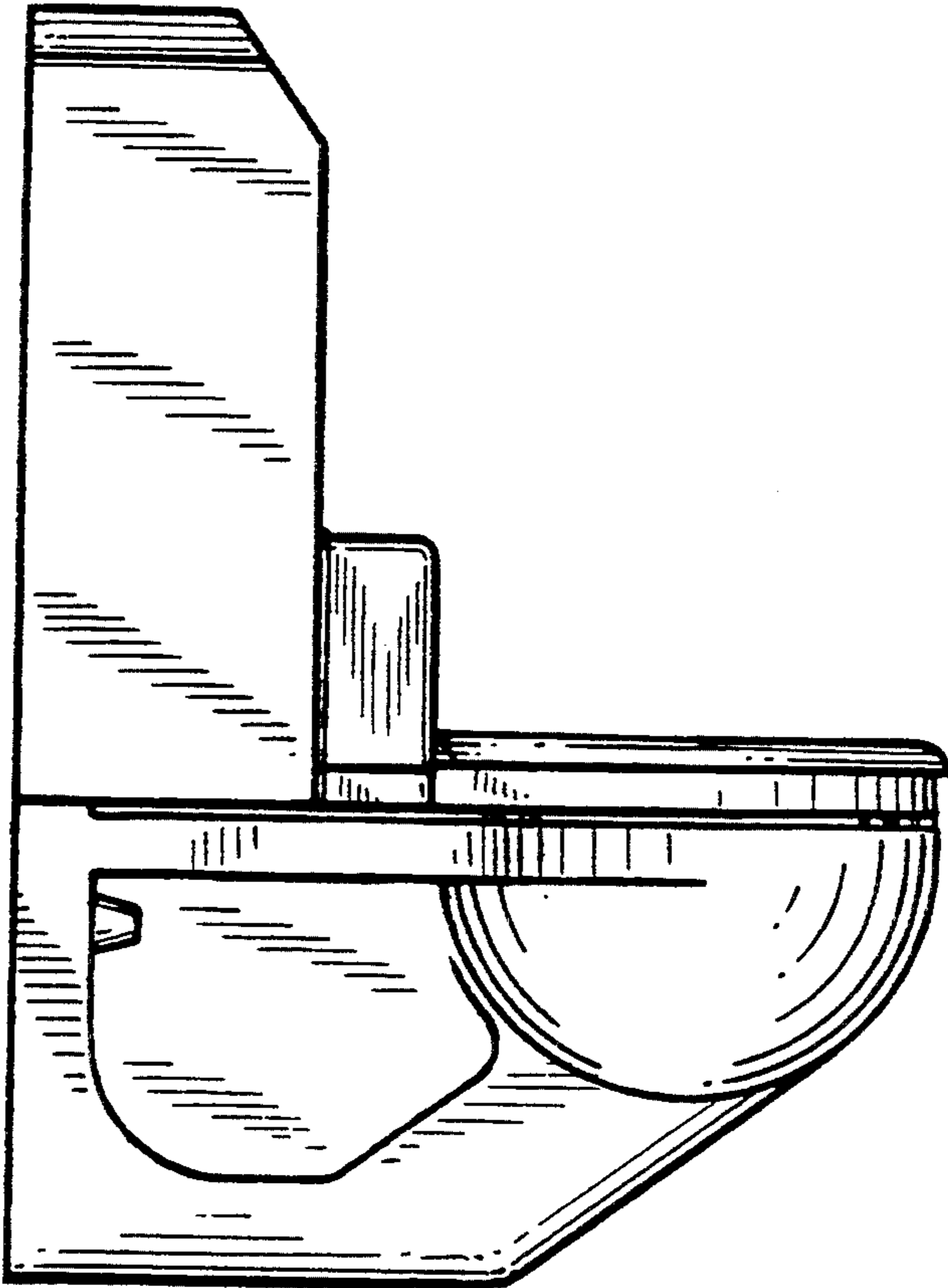
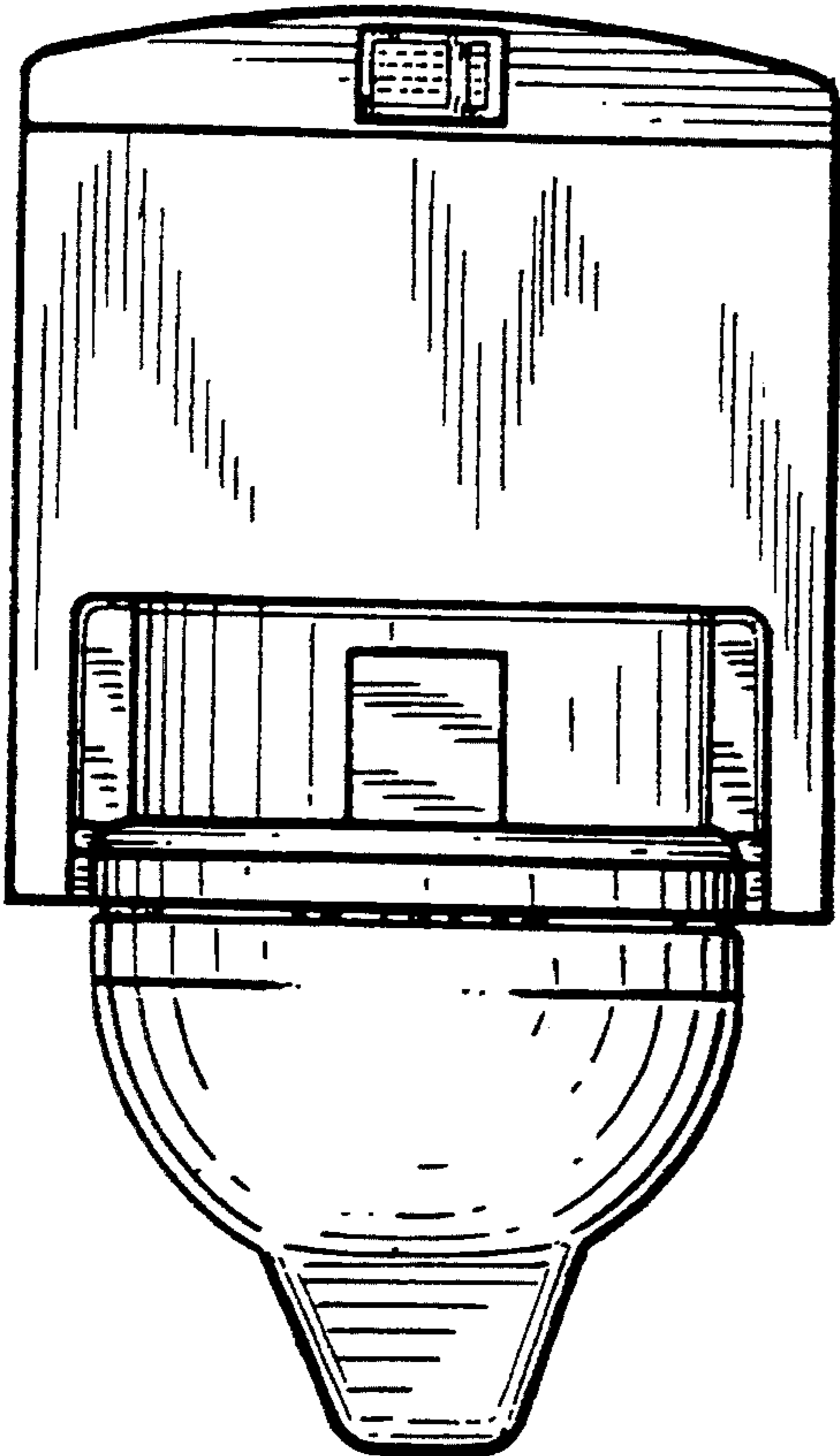


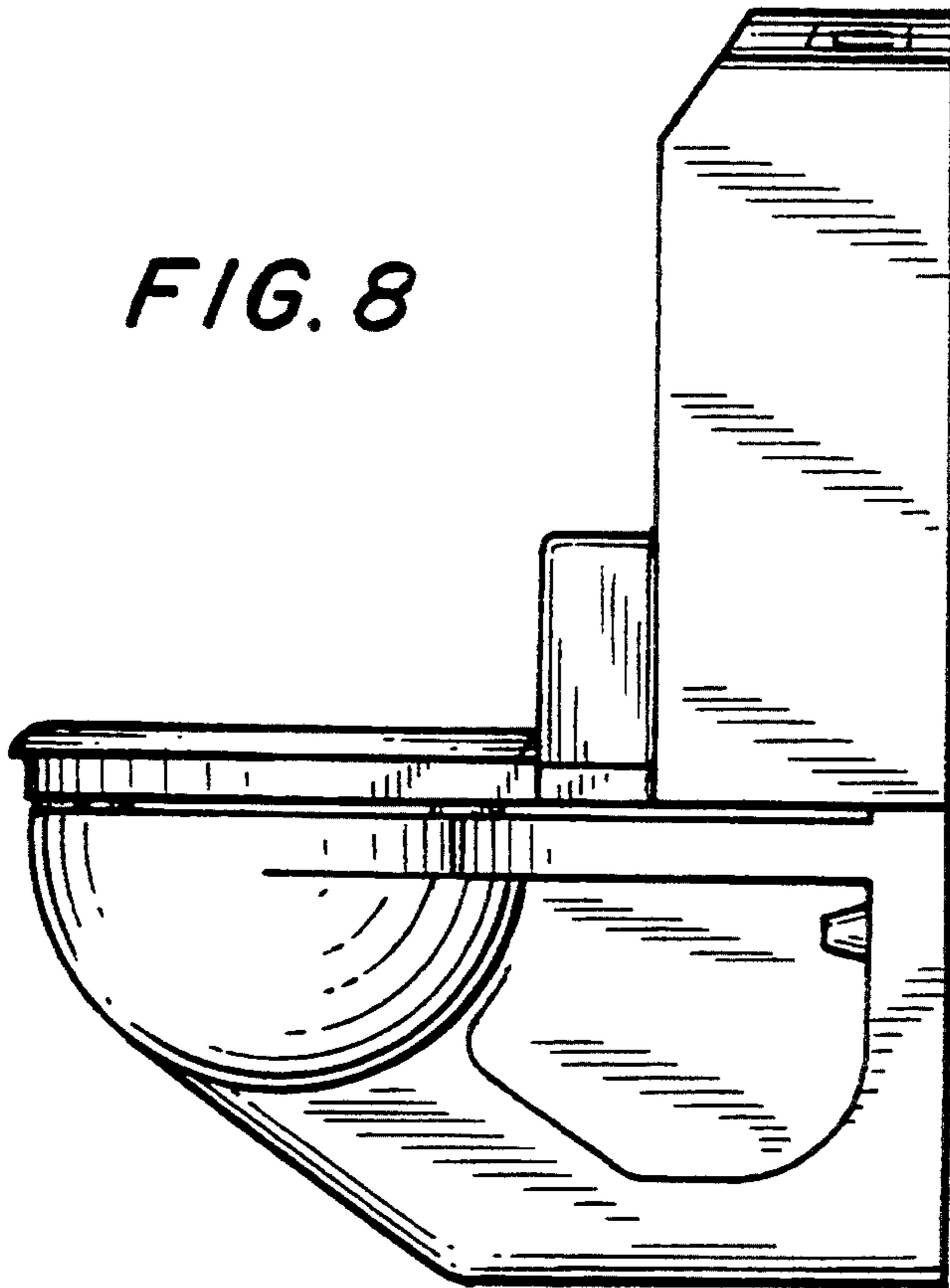
FIG. 4

*FIG. 6*

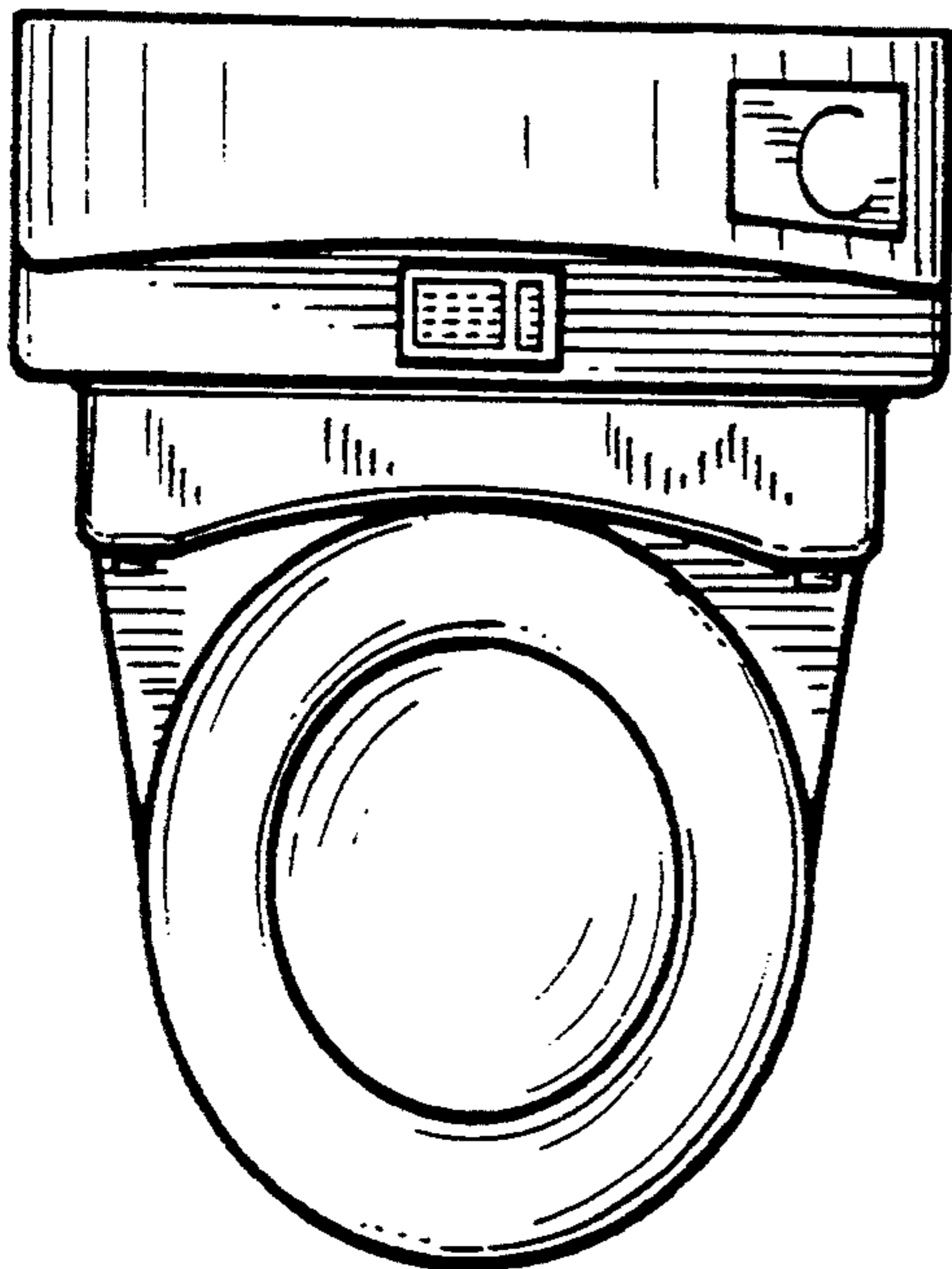


*FIG. 7*

*FIG. 8*



*FIG. 9*



*FIG. 10*

