



US00D358200S

United States Patent [19]

[11] Patent Number: **Des. 358,200**

Cerola

[45] Date of Patent: **** May 9, 1995**

[54] VALVE ACTUATOR

[56] References Cited

[75] Inventor: **Joseph J. Cerola**, Delray Beach, Fla.

U.S. PATENT DOCUMENTS

2,118,684	5/1938	Prescott	84/465
3,012,460	12/1961	Wison	84/423 X
5,197,948	3/1993	Ghodsian	604/30
5,334,140	8/1994	Phillips	604/35

[73] Assignee: **American Hydro-Surgical Instruments, Inc.**, Delray Beach, Fla.

Primary Examiner—A. Hugo Word
Assistant Examiner—E. Watterson
Attorney, Agent, or Firm—Malin, Haley, DiMaggio & Crosby

[**] Term: **14 Years**

[21] Appl. No.: **9,758**

[57] CLAIM

The ornamental design for a valve actuator, as shown and described.

[22] Filed: **Jun. 21, 1993**

DESCRIPTION

Related U.S. Application Data

[63] Continuation of Ser. No. 802,309, Dec. 4, 1991, Pat. No. 5,303,735.

[52] U.S. Cl. **D23/252**

[58] Field of Search **D23/232-237, D23/244-249; D17/11; 414/1; 116/172; 137/596.2; 251/229; 84/90, 117, 465, 467, 466, 423 B, 506, DIG. 8; 604/19, 30, 31, 32, 35, 316, 902**

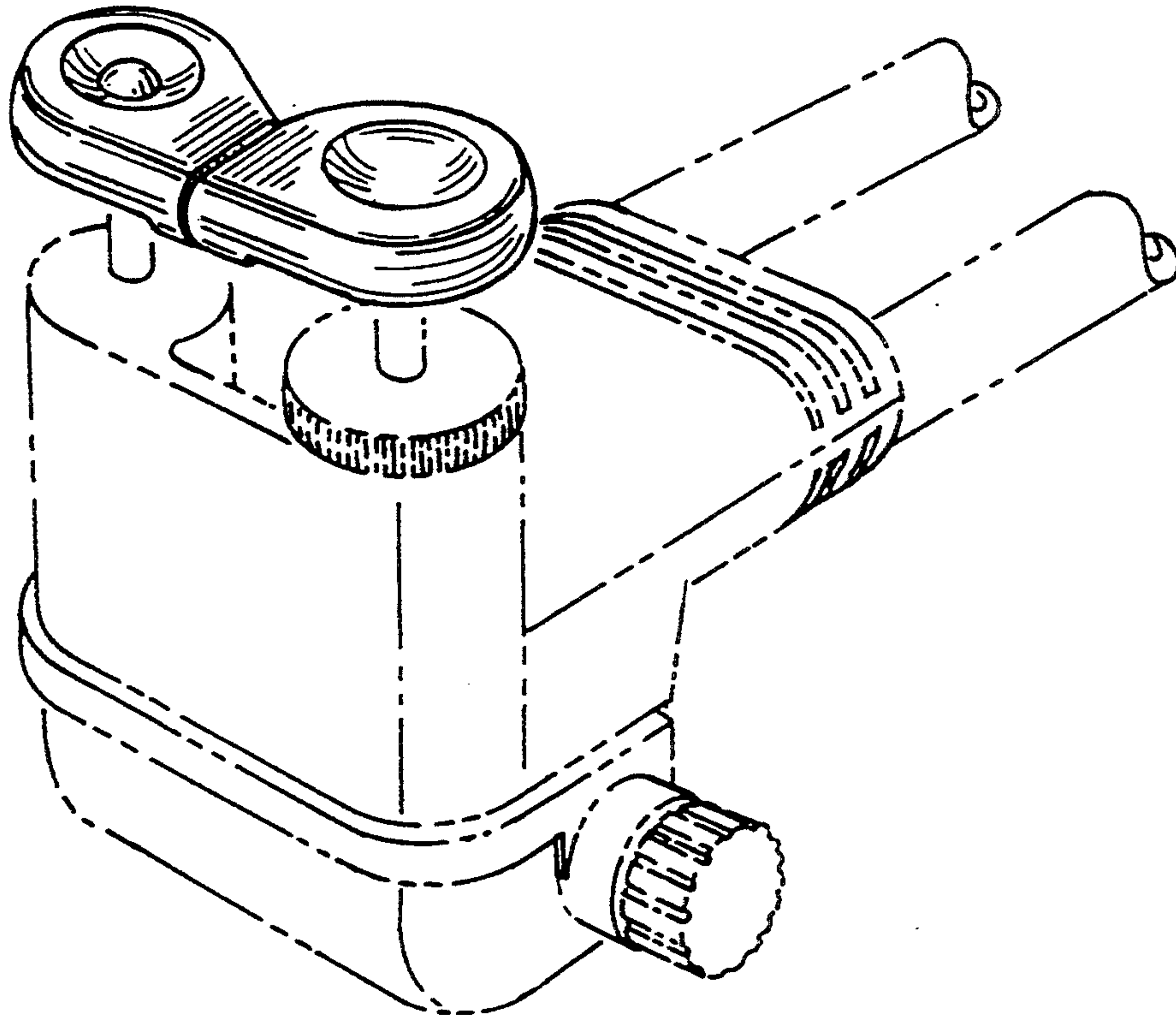
FIG. 1 is a perspective view of my new design showing valve actuator, the broken line showing a valve assembly is for environmental illustration only and forms no part of the claimed design;

FIG. 2 is a top plan view of the valve actuator shown in FIG. 1;

FIG. 3 is a front elevational view thereof;

FIG. 4 is a rear elevational view thereof; and,

FIG. 5 is a side elevational view thereof (the opposite side being a mirror image).



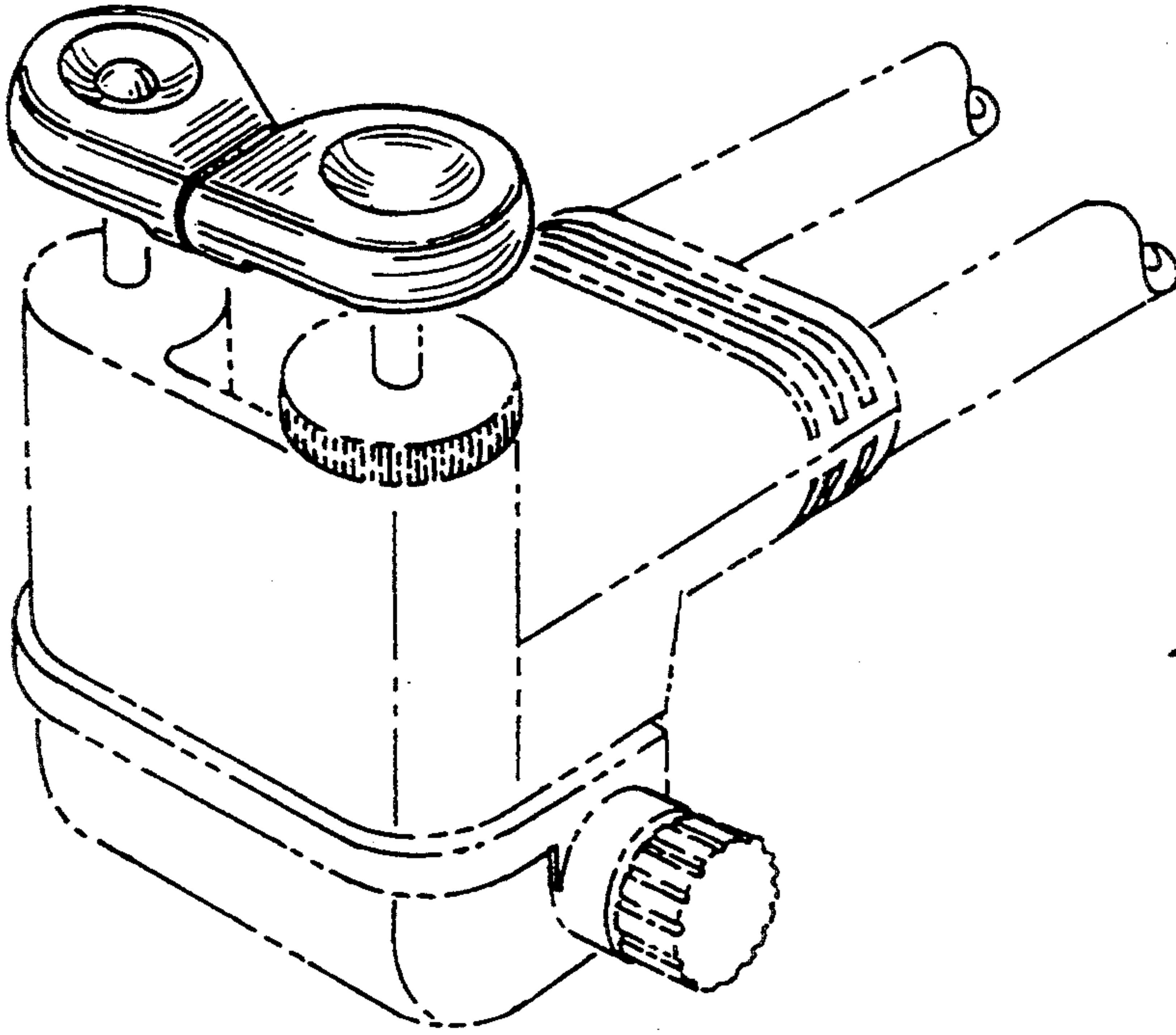


Fig. 1

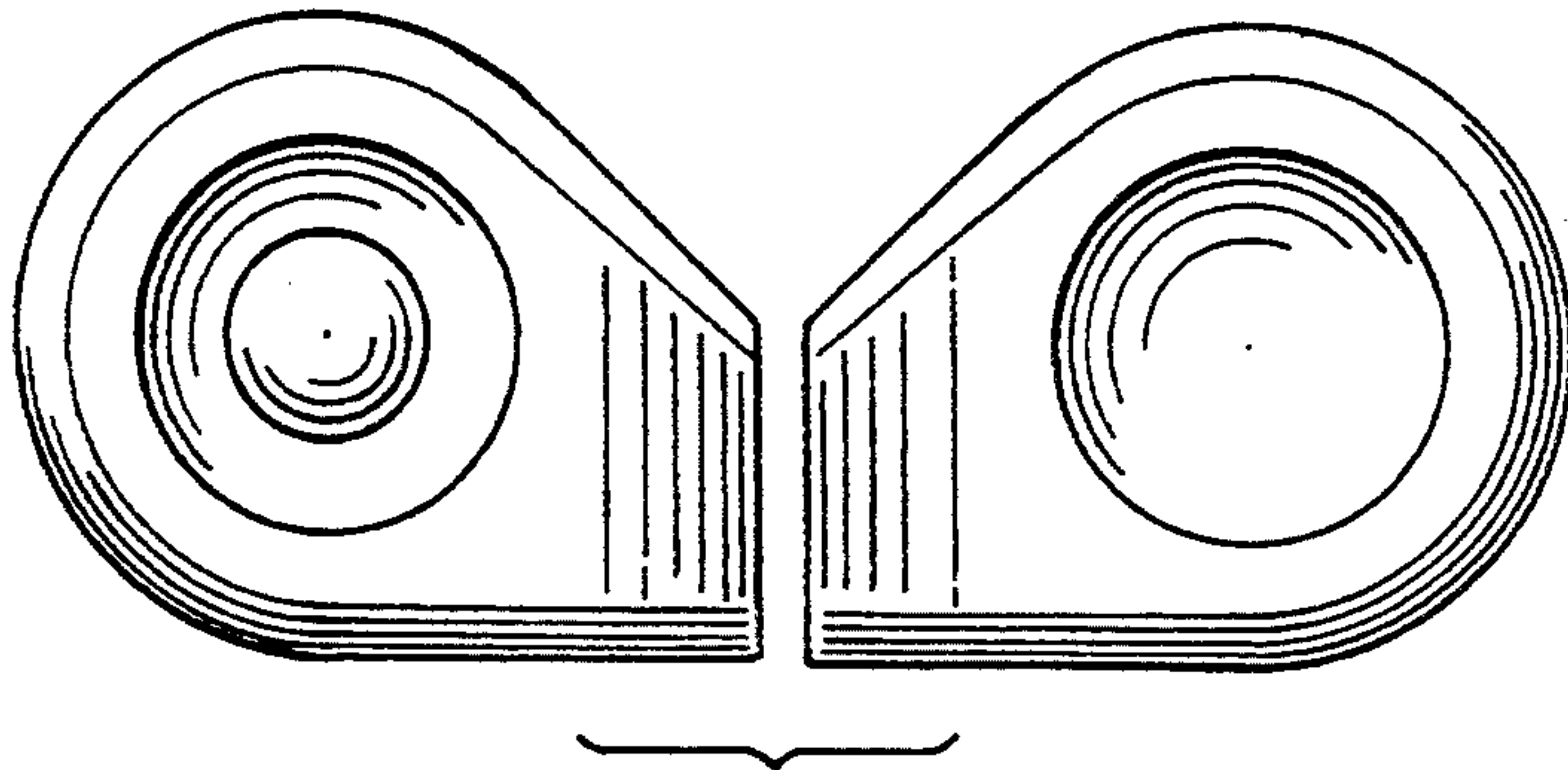


Fig. 2

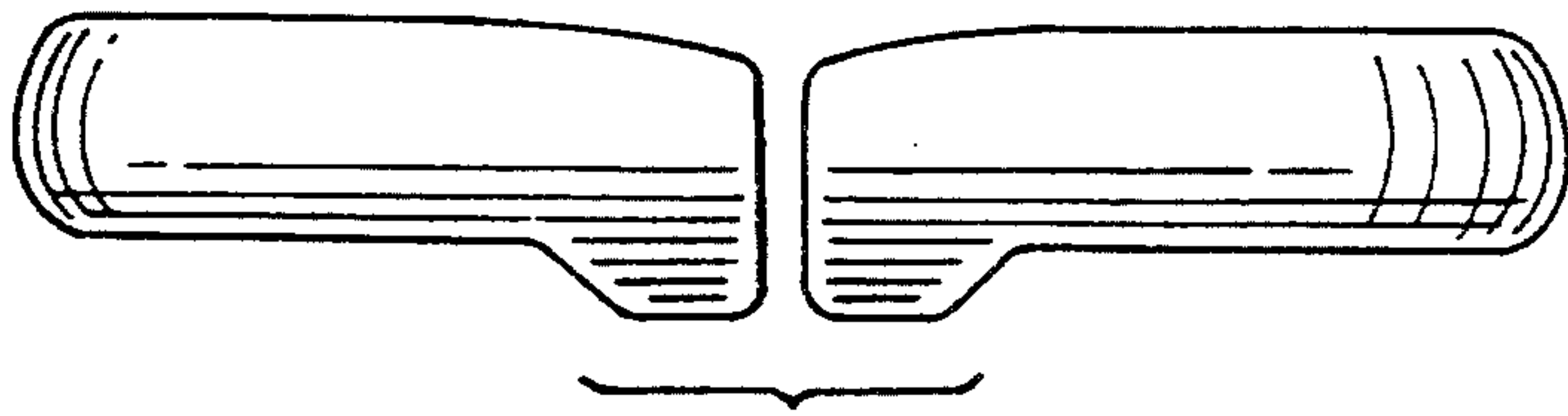


Fig. 3

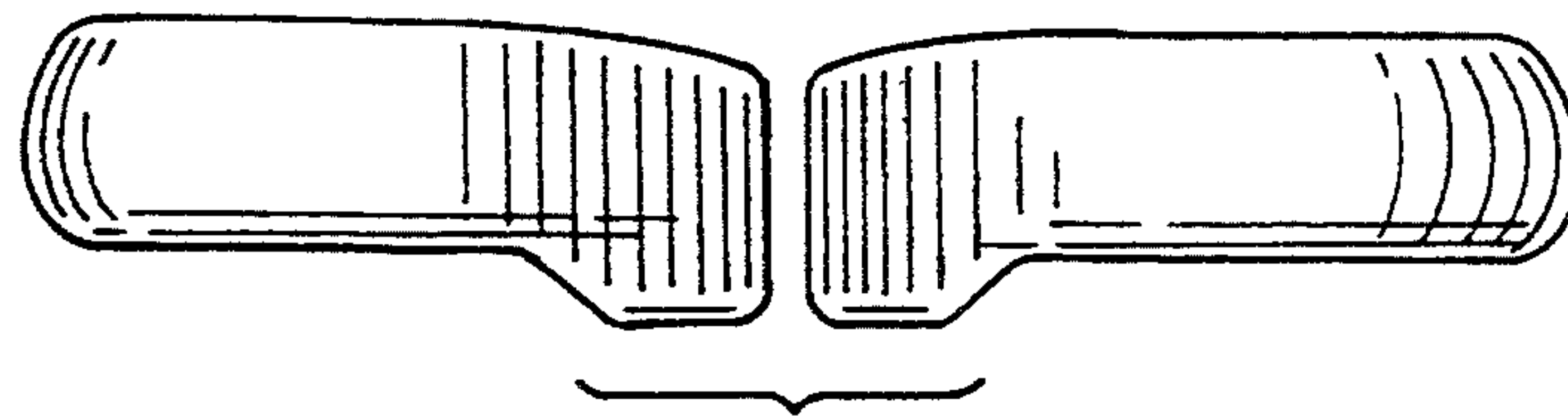


Fig. 4

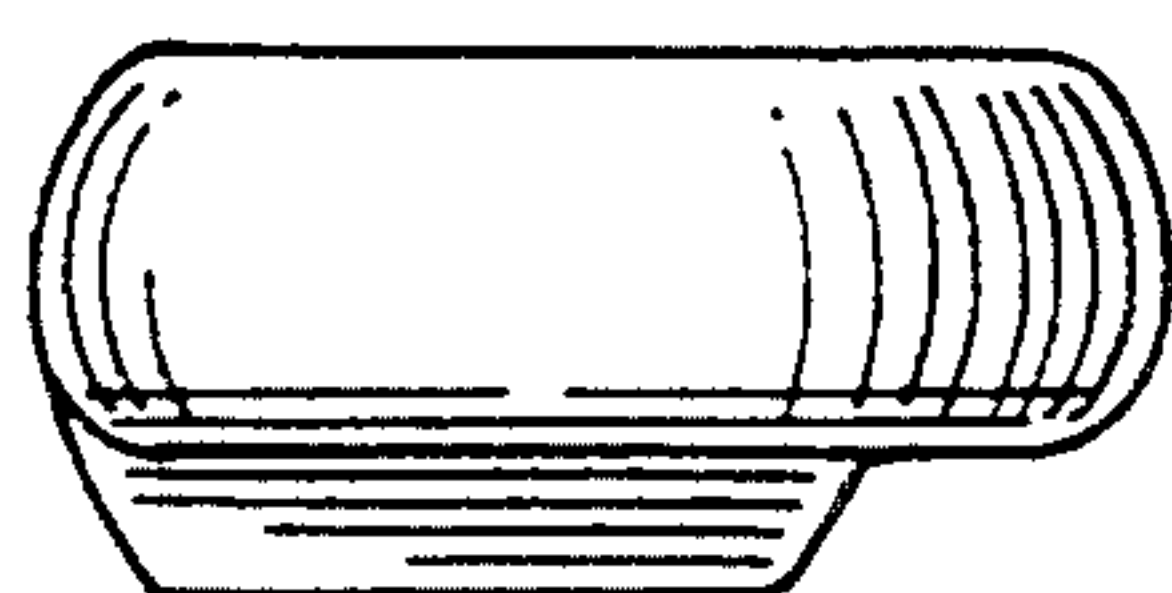


Fig. 5