



US00D358197S

United States Patent [19]

[11] Patent Number: **Des. 358,197**

Brite

[45] Date of Patent: **** May 9, 1995**

[54] **HEAD FOR AN INSECTICIDE APPLICATION APPARATUS**

D. 256,271 8/1980 Tada D23/225
D. 305,451 1/1990 Rosenbaum D23/225
1,919,153 7/1933 Andrews D23/225

[76] Inventor: **Alan D. Brite**, 1482 E. Valley Rd.,
Box 50610, Santa Barbara, Calif.
93108

Primary Examiner—Wallace R. Burke
Assistant Examiner—Robin V. Taylor
Attorney, Agent, or Firm—Lyon & Lyon

[**] Term: **14 Years**

[57] **CLAIM**

[21] Appl. No.: **17,676**

The ornamental design for a head for an insecticide application apparatus, as shown.

[22] Filed: **Jan. 18, 1994**

Related U.S. Application Data

[63] Continuation-in-part of Ser. No. 24,663, Mar. 1, 1993,
Pat. No. 5,279,256.

[52] U.S. Cl. **D23/225; D9/448**

[58] **Field of Search** **D23/213, 223-230;**
222/380, 383, 385; 239/333, 373, 337; 119/156,
159, 85; D9/447, 448, 450, 301, 300

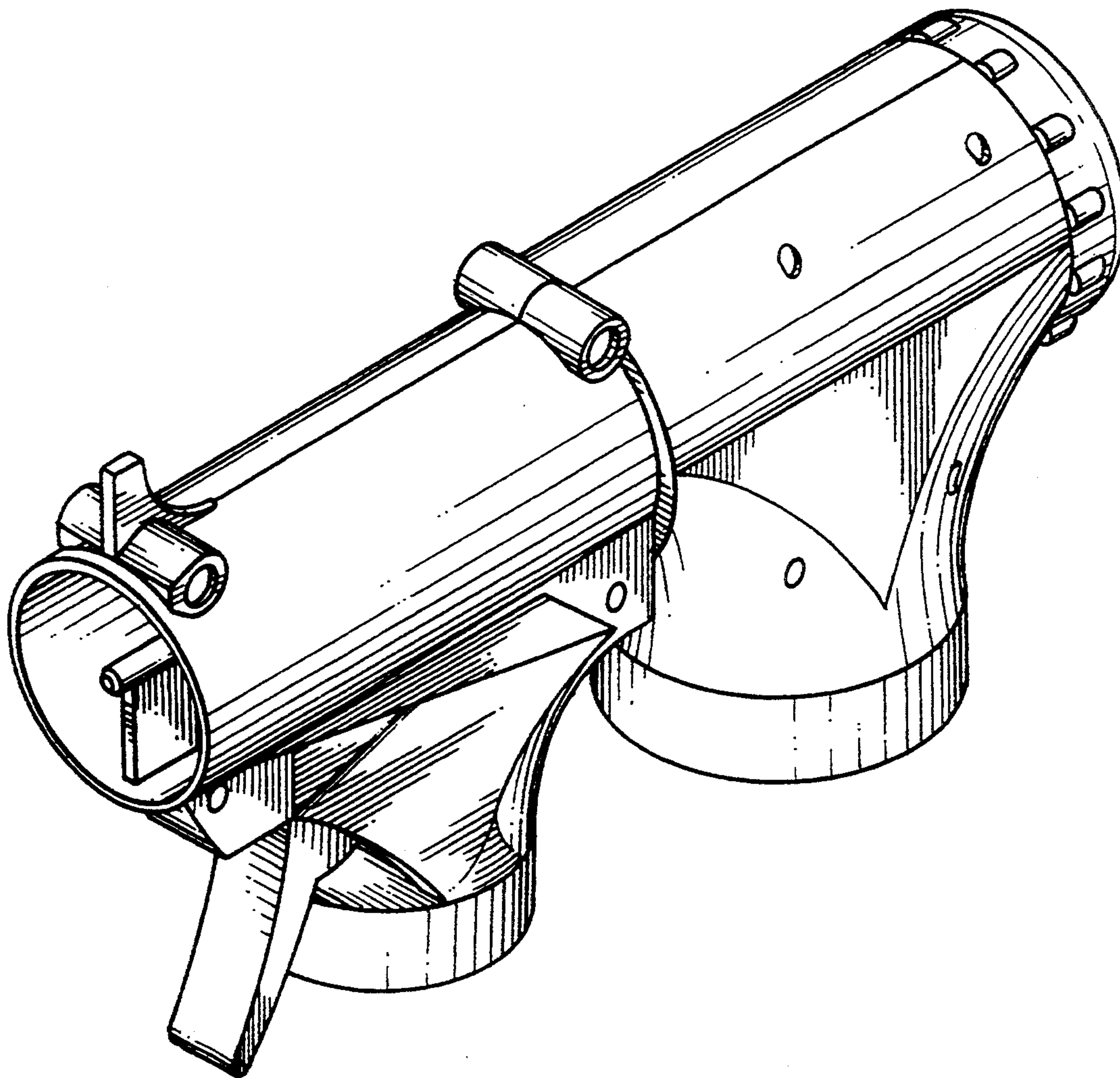
DESCRIPTION

FIG. 1 is a perspective view of a head for an insecticide application apparatus showing my new design; FIG. 2 is an enlarged perspective view thereof; FIG. 3 is a right side elevational view thereof; FIG. 4 is a left side elevational view thereof; FIG. 5 is a top plan thereof; FIG. 6 is a bottom view thereof; FIG. 7 is a front elevational view thereof; and, FIG. 8 is a rear elevational view thereof. The broken line showing is for illustrative purposes only and forms no part of the claimed design.

References Cited

U.S. PATENT DOCUMENTS

D. 186,736 11/1959 Zapolski D23/225



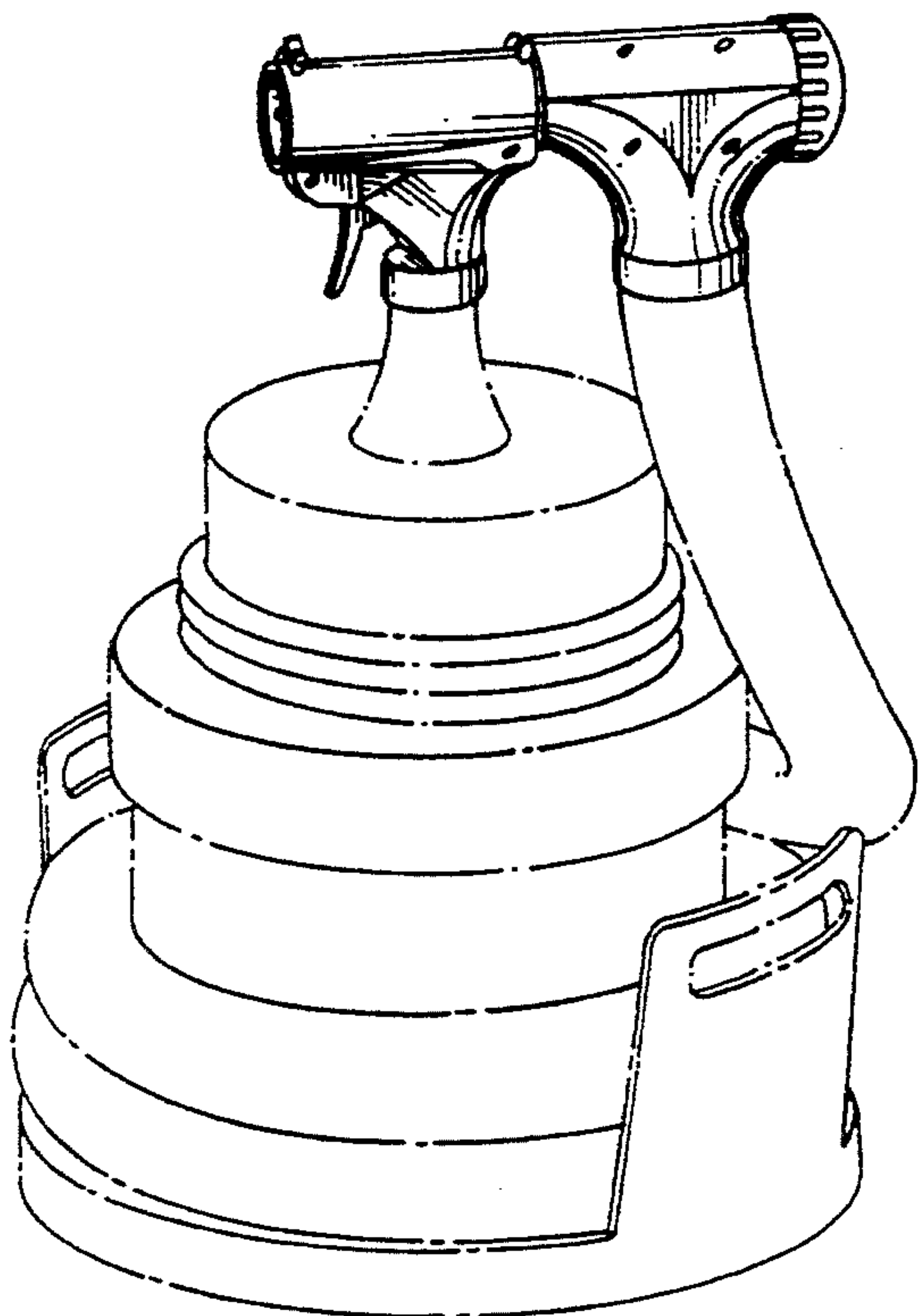


FIG. 1

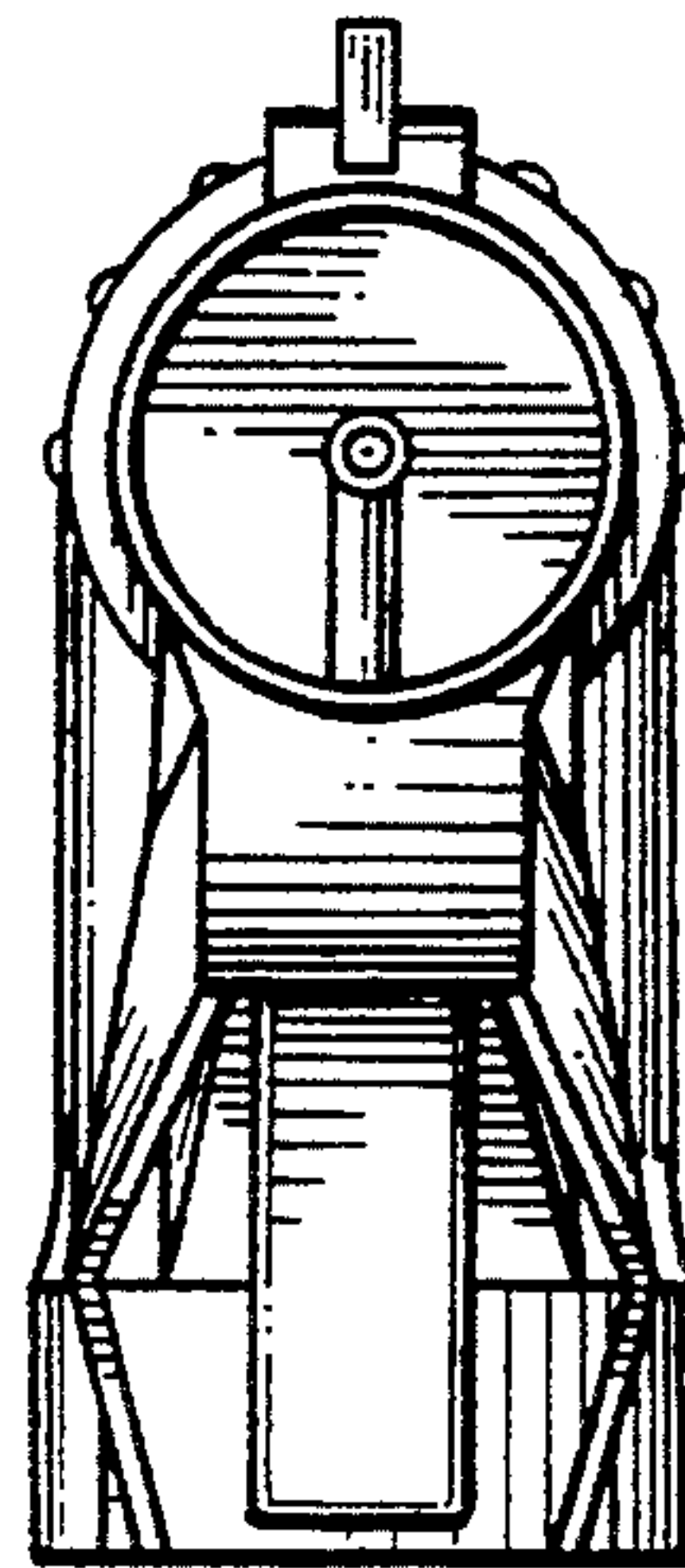


FIG. 7

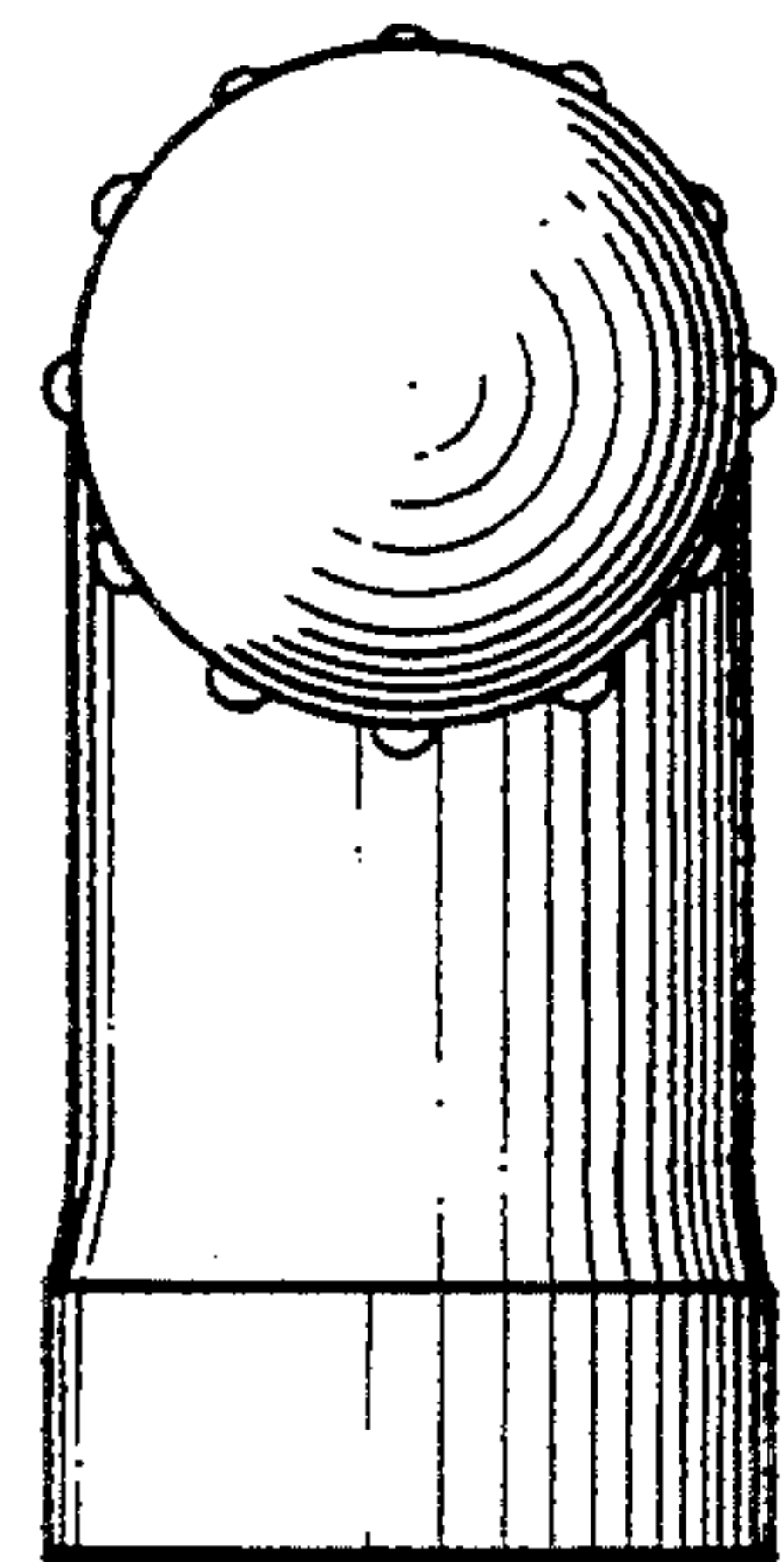


FIG. 8

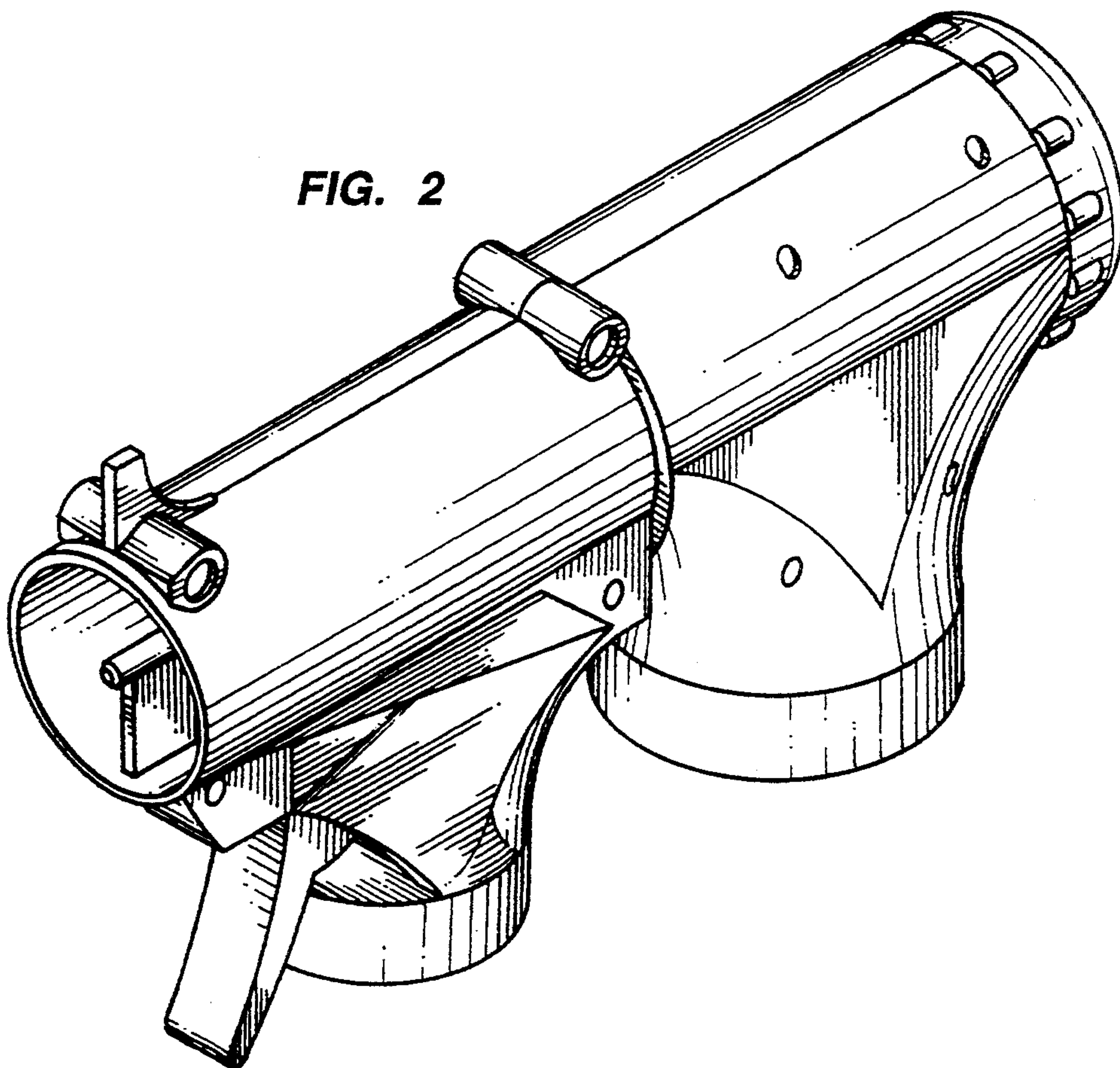


FIG. 2

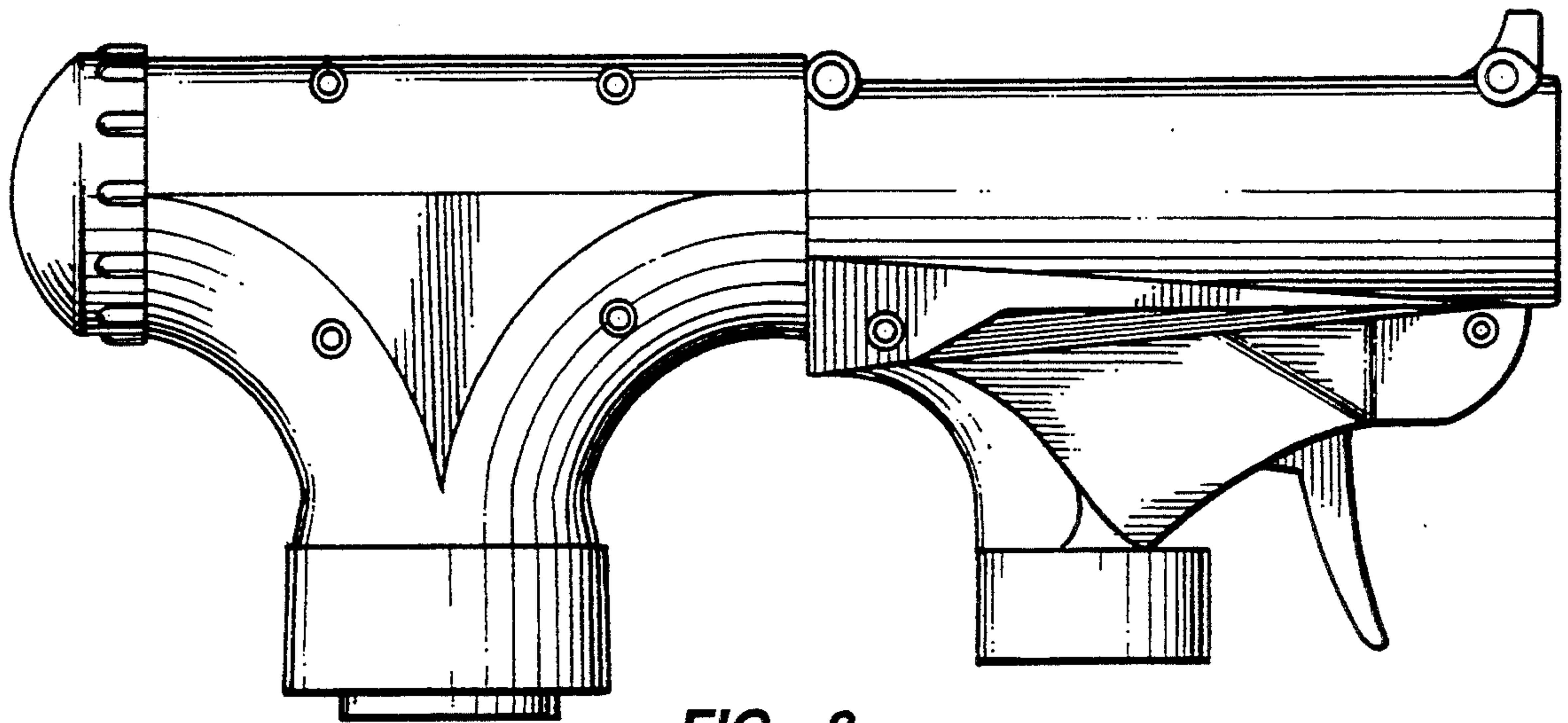


FIG. 3

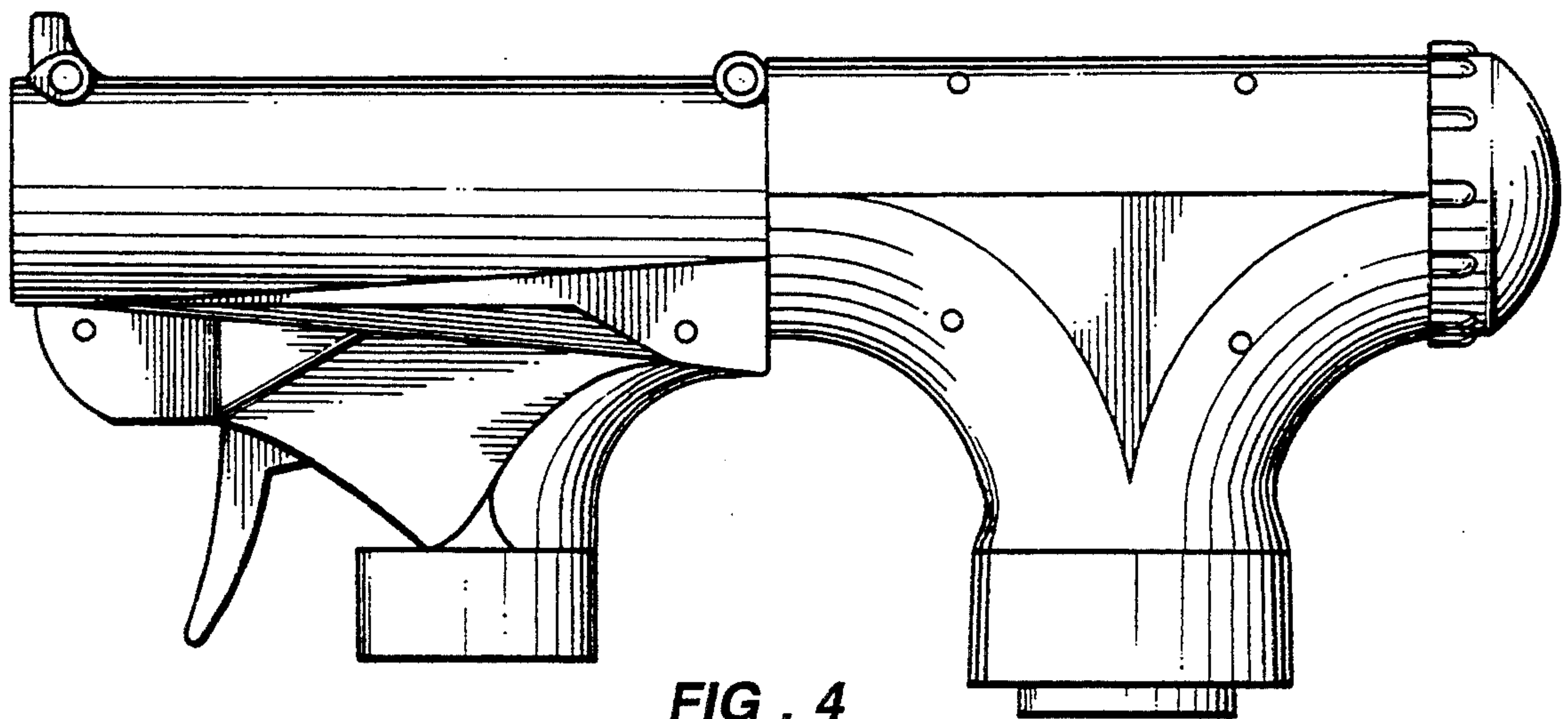


FIG. 4

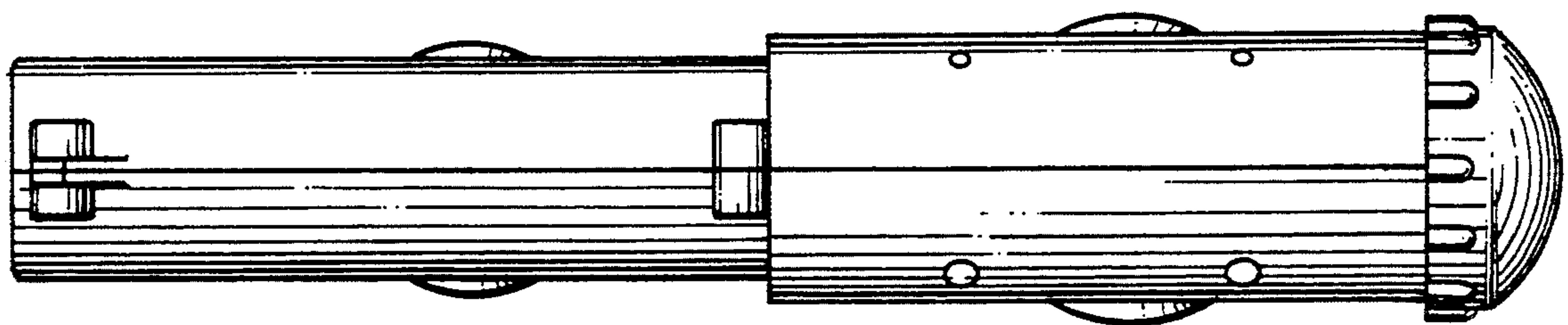


FIG. 5

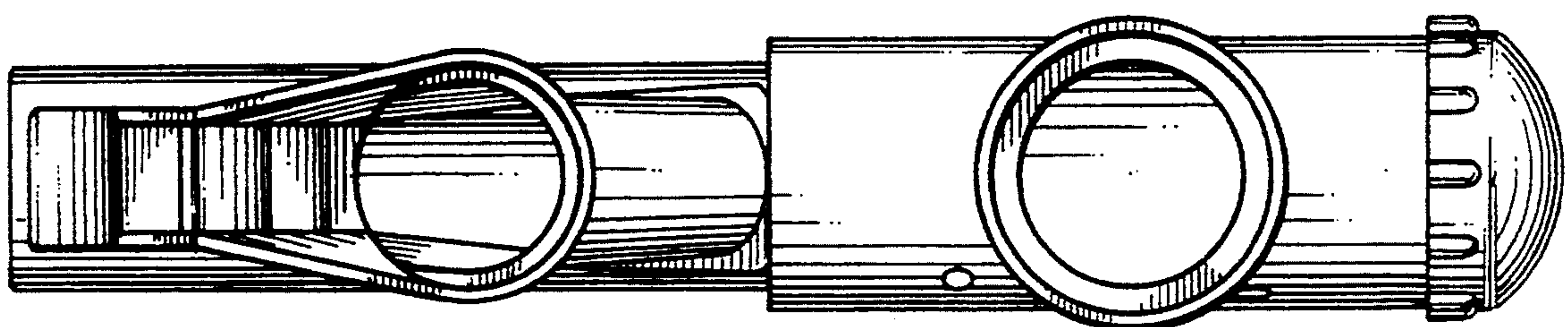


FIG. 6