



US00D358194S

United States Patent [19]

[11] Patent Number: **Des. 358,194**

Schroeder

[45] Date of Patent: **** May 9, 1995**

[54] **DRAINAGE RECEPTACLE ADAPTER FOR STORAGE DRUMS**

[76] Inventor: **Theodore D. Schroeder**, Rt. 1, Box 133, Wilbur, Wash. 99185

[**] Term: **14 Years**

[21] Appl. No.: **13,990**

[22] Filed: **Oct. 7, 1993**

[52] U.S. Cl. **D23/202; D23/200**

[58] **Field of Search** D9/341, 524, 527, 528; D23/200-213; 47/45.8 R, 45.8 CR, 45.5 SG, 48.59, 48.5 M, 48.5 S, 48.5 X; 184/106; 141/98, 331, 332, 340; 210/DIG. 4, 97, 139, 169, 193, 198.1, 200, 205, 206, 209, 211, 212, 222, 223, 231, 242.1, 243, 244, 245, 246, 257.1, 259.2; 215/16; 222/174, 310, 372, 383, 284, 385, 465.1, 466, 468, 478, 481, 565, 567, 571, 572, 573; 239/16, 17, 18, 20, 21, 22, 23, 19, 157, 289, 310, 375, 376, 317, 318, 377, 526, 583

[56] **References Cited**

U.S. PATENT DOCUMENTS

Re. 27,449 8/1972 Bartz 184/106 X

291,947	1/1884	Skillen	47/48.5 G
905,626	12/1908	Armstrong	239/377
3,684,127	1972	Kruse, Jr.	220/86 R
4,823,947	1989	Maynard, Jr.	206/223
4,856,568	1989	Murphy et al.	141/337
4,974,647	1990	Eastom	141/98
5,033,637	1991	Webb	220/565
3,737,040	6/1973	Brydoy et al.	210/206
3,953,328	4/1976	Aldag	210/97

Primary Examiner—Louis S. Zarfaz
Assistant Examiner—Monica A. Hannon
Attorney, Agent, or Firm—Wells, St. John, Roberts, Gregory & Matkin

[57] **CLAIM**

The ornamental design for a drainage receptacle adapter for storage drums, as shown and described.

DESCRIPTION

FIG. 1 is a front end elevation view of a drainage receptacle adapter for storage drums showing my new design;
FIG. 2 is a right side elevation view thereof, the opposite side being a mirror image;
FIG. 3 is a rear end view thereof;
FIG. 4 is a top plan view thereof;
FIG. 5 is a bottom plan view thereof; and,
FIG. 6 is a reduced perspective view thereof.

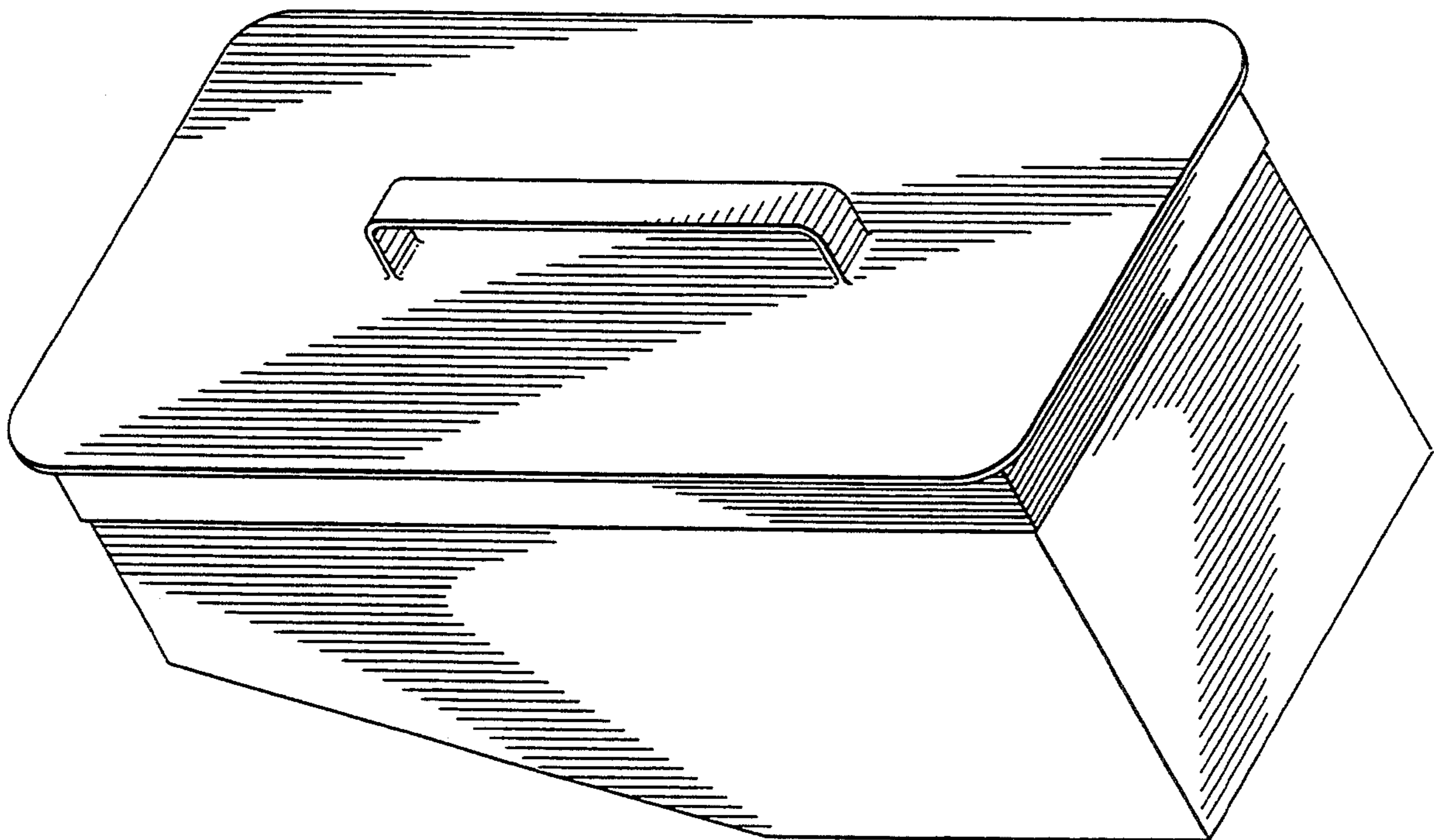
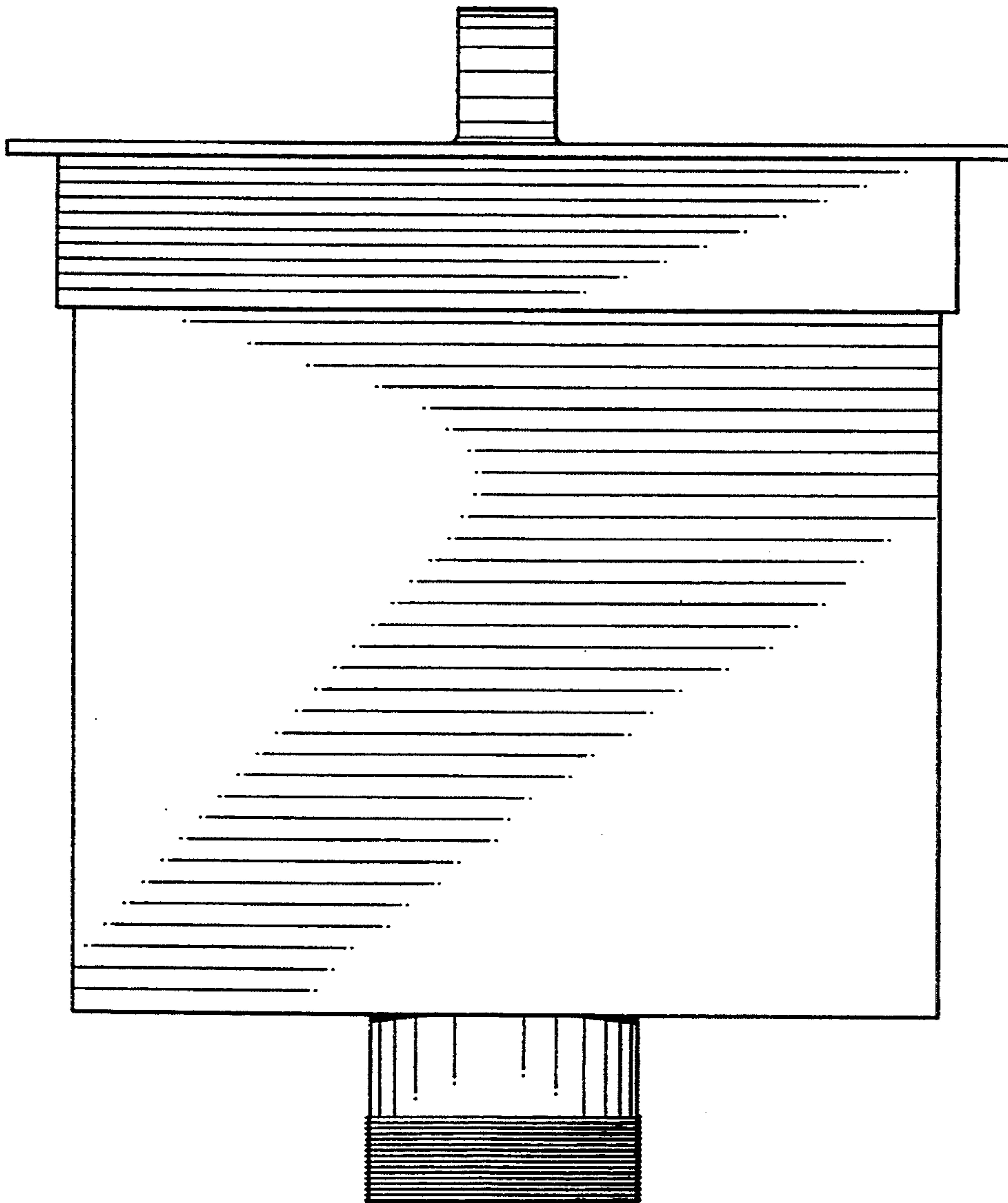


Fig. 1



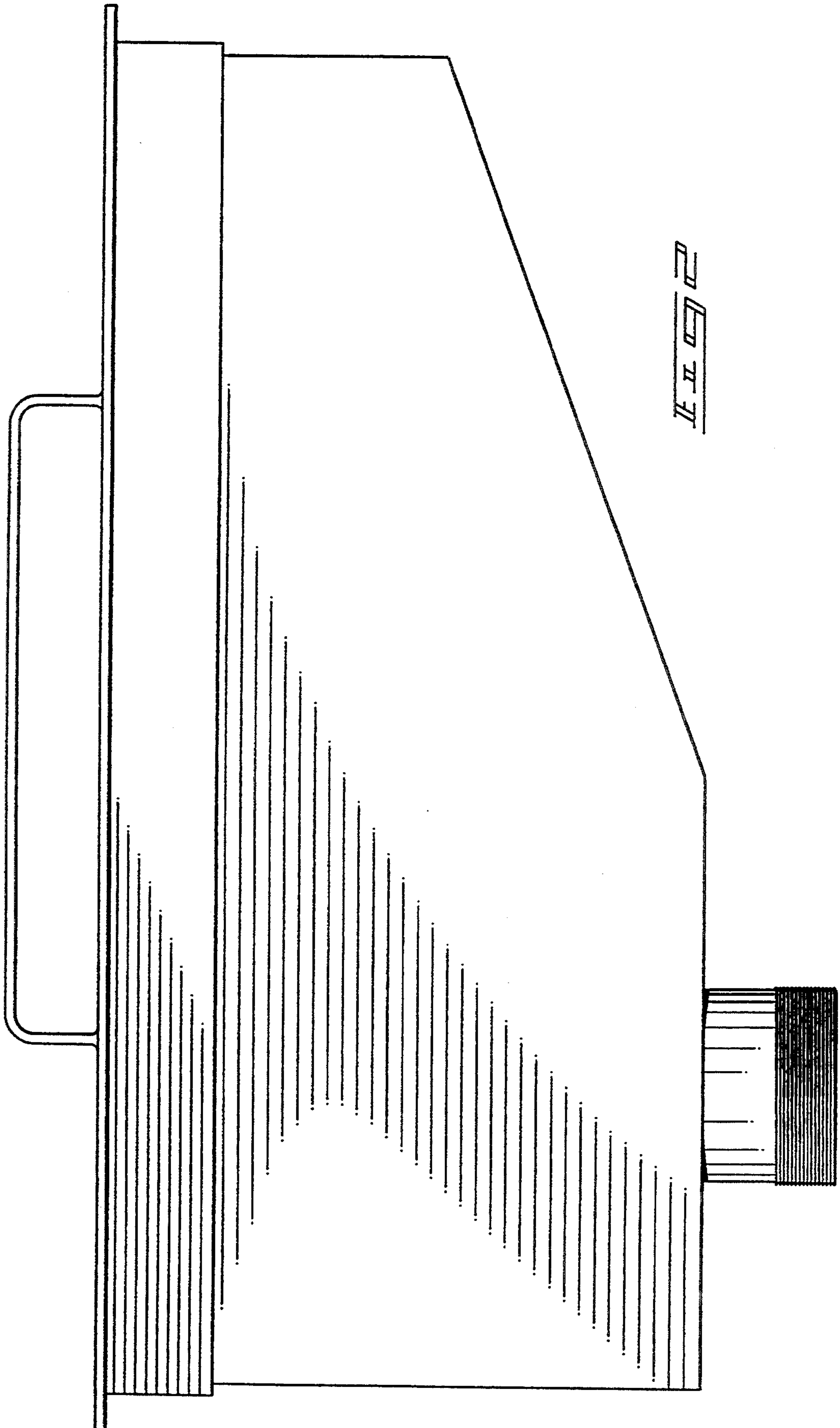


Fig. 3

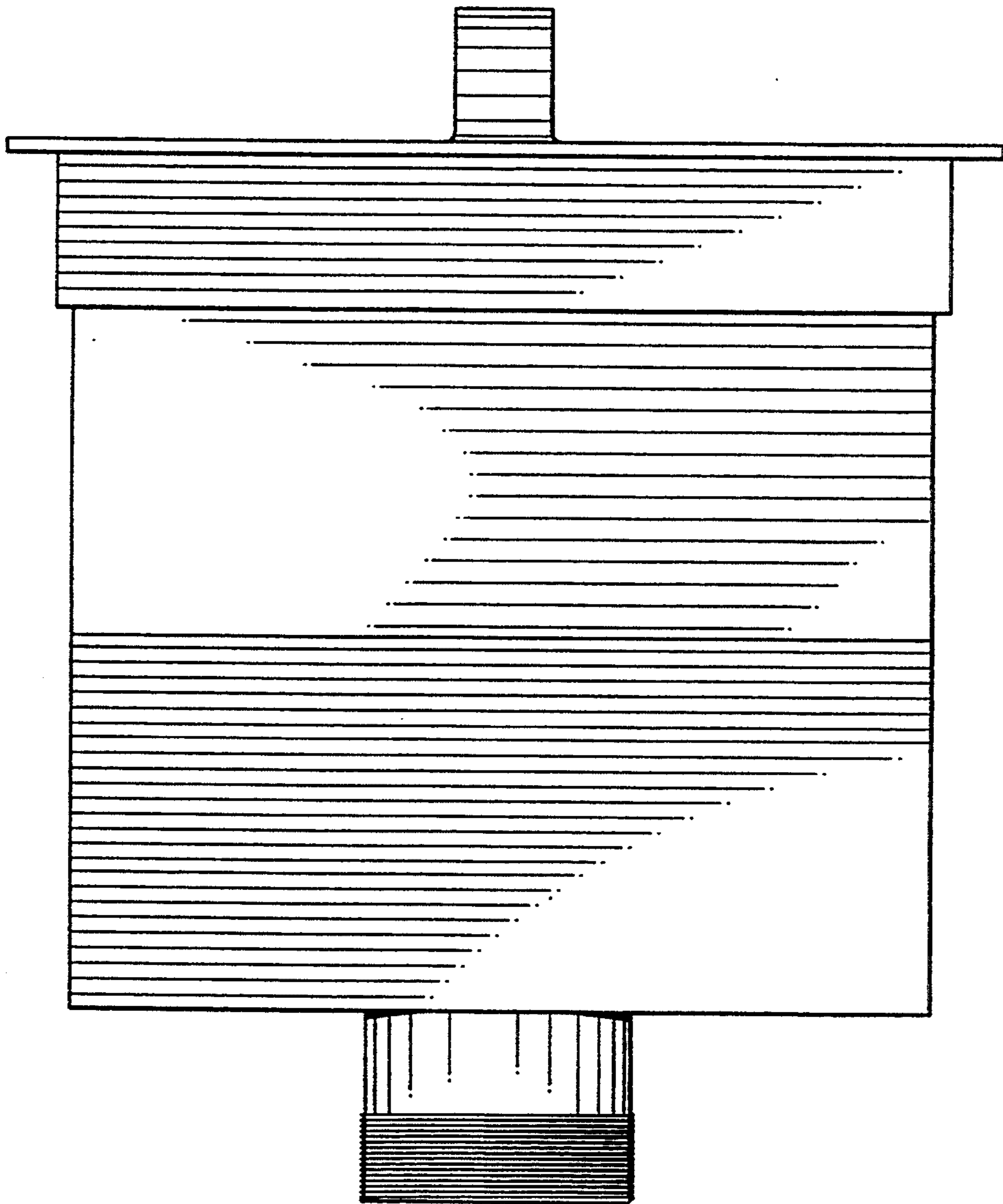


FIG. 11

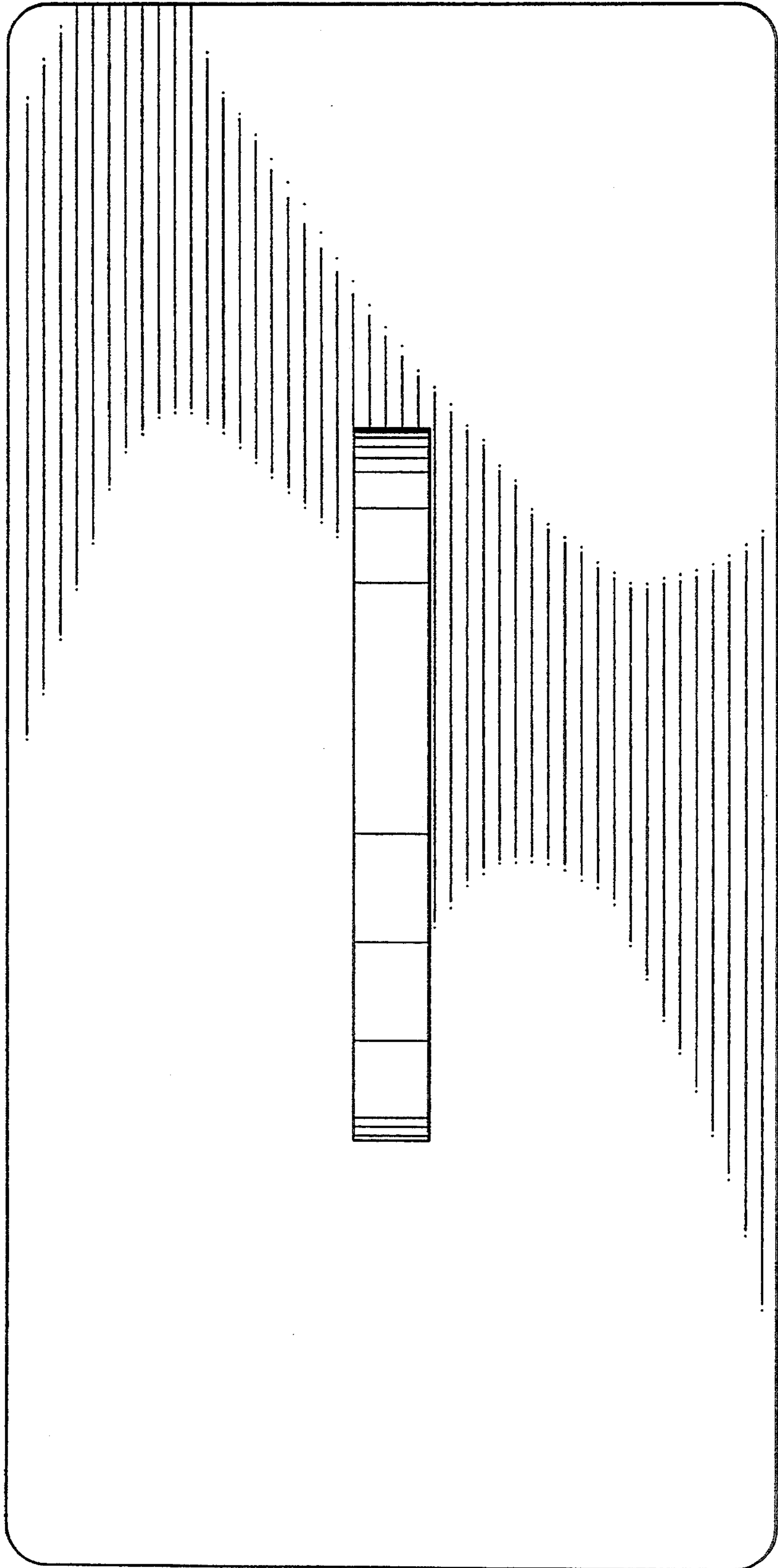


Fig. 5

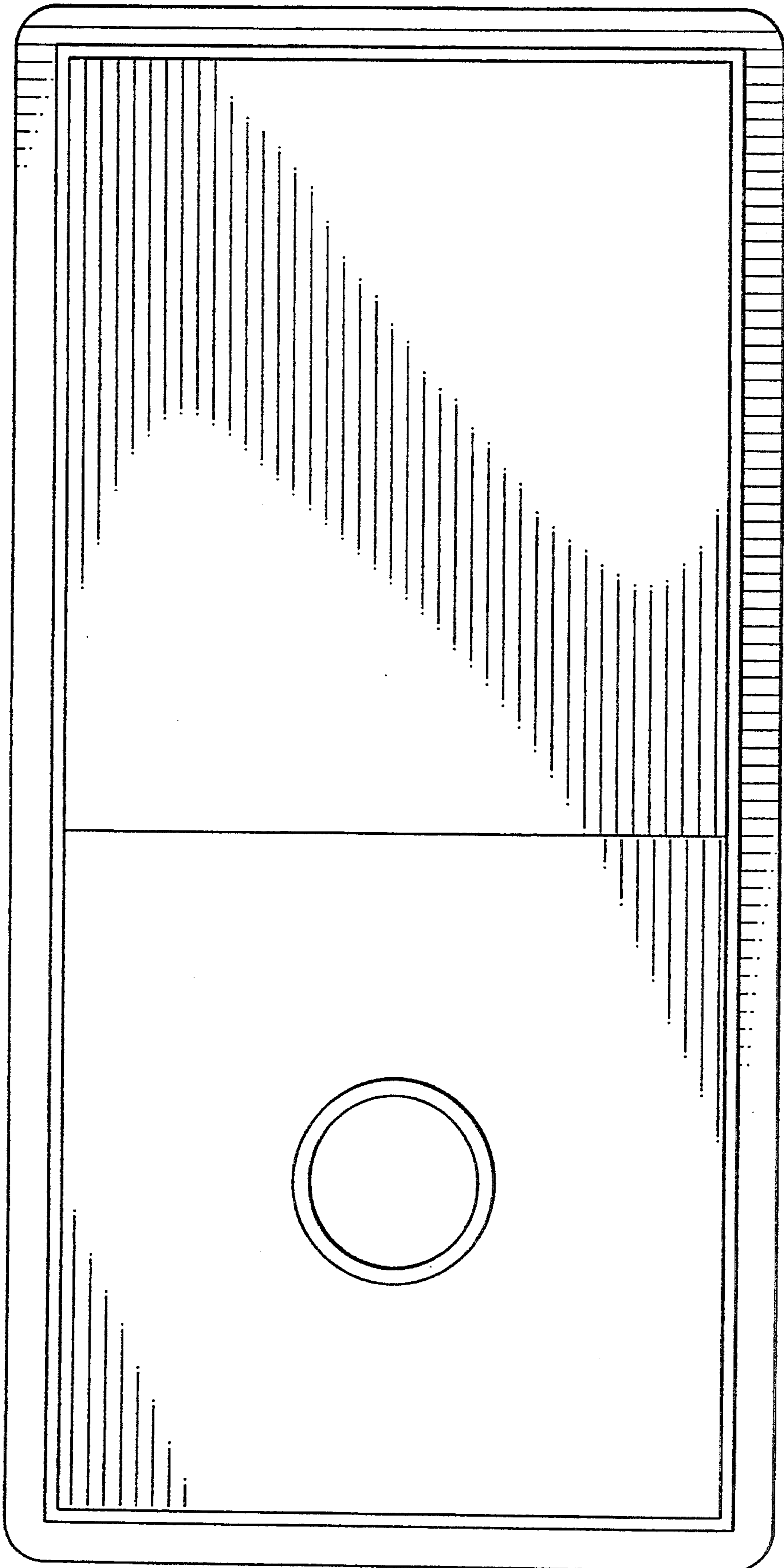


Fig. 6

