



US00D358189S

United States Patent [19]

[11] Patent Number: **Des. 358,189**

Popowicz

[45] Date of Patent: **** May 9, 1995**

[54] **GOLF PIN MARKER**

4,407,505 10/1983 Kendziorski 273/177
4,558,862 12/1985 Kelly 273/34 R

[76] Inventor: **Peter Popowicz**, 180 George Craig Blvd. N.E., Calgary, Alberta, Canada, T2E 7H2

Primary Examiner—Theodore M. Shooman
Assistant Examiner—Cheri Cohen
Attorney, Agent, or Firm—George H. Dunsmuir

[**] Term: **14 Years**

[57] **CLAIM**

[21] Appl. No.: **3,613**

The ornamental design for a golf pin marker, as shown and described.

[22] Filed: **Jan. 11, 1993**

[52] U.S. Cl. **D21/234**

[58] Field of Search D21/234; 273/34 R, 177 R

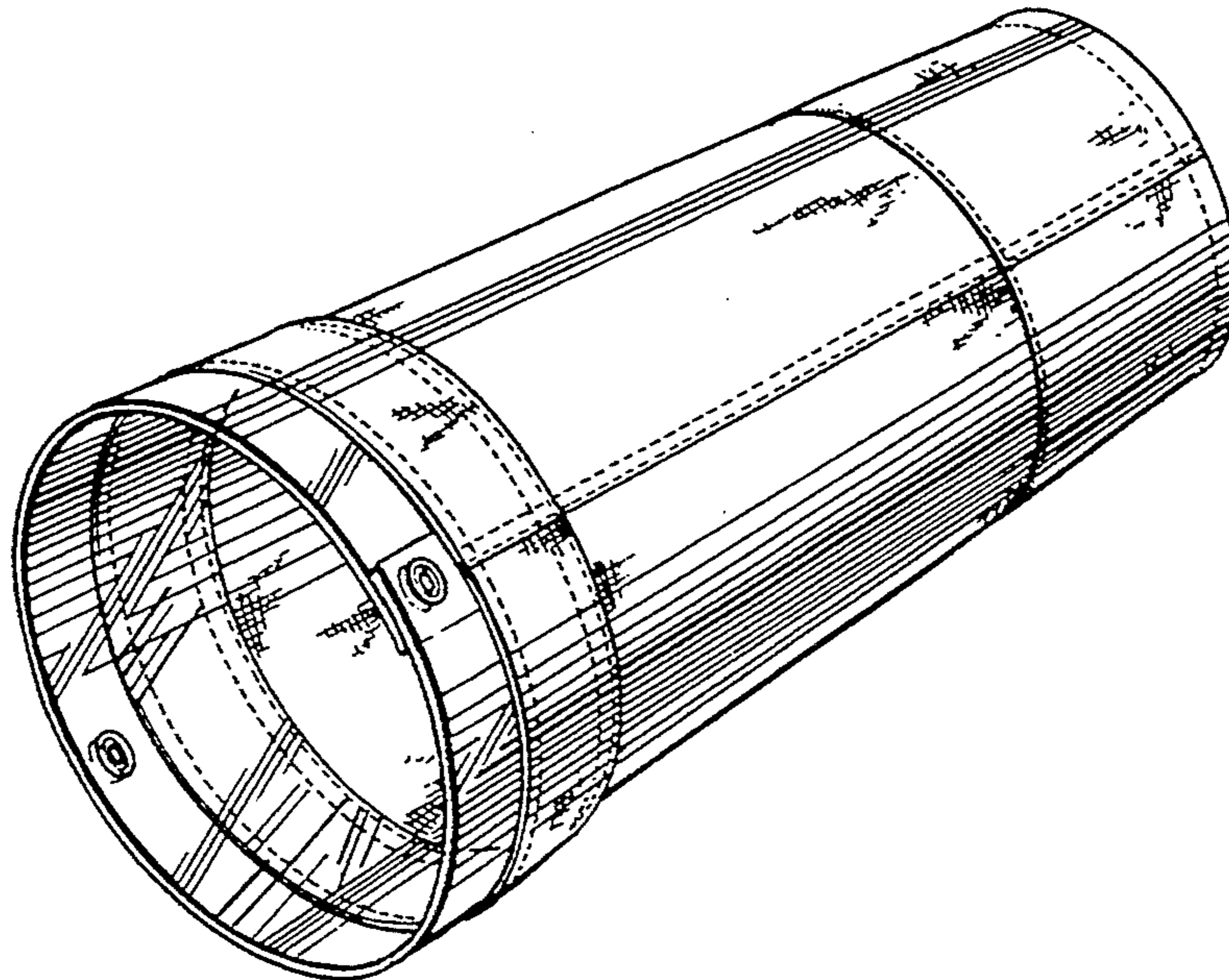
DESCRIPTION

[56] **References Cited**

U.S. PATENT DOCUMENTS

797,755 8/1905 Savage 273/34 R
1,579,034 3/1926 Roberts 273/34 R X
1,807,089 5/1931 Parsons et al. 273/34 R
3,067,717 12/1962 Imparato 273/34 R

FIG. 1 is a rear end view of the golf pin marker according to my design;
FIG. 2 is a front end view of the golf pin marker according to FIG. 1;
FIG. 3 is a side elevational view of the golf pin marker according to FIG. 1; and,
FIG. 4 is a perspective view of the golf pin marker the according to FIG. 1.



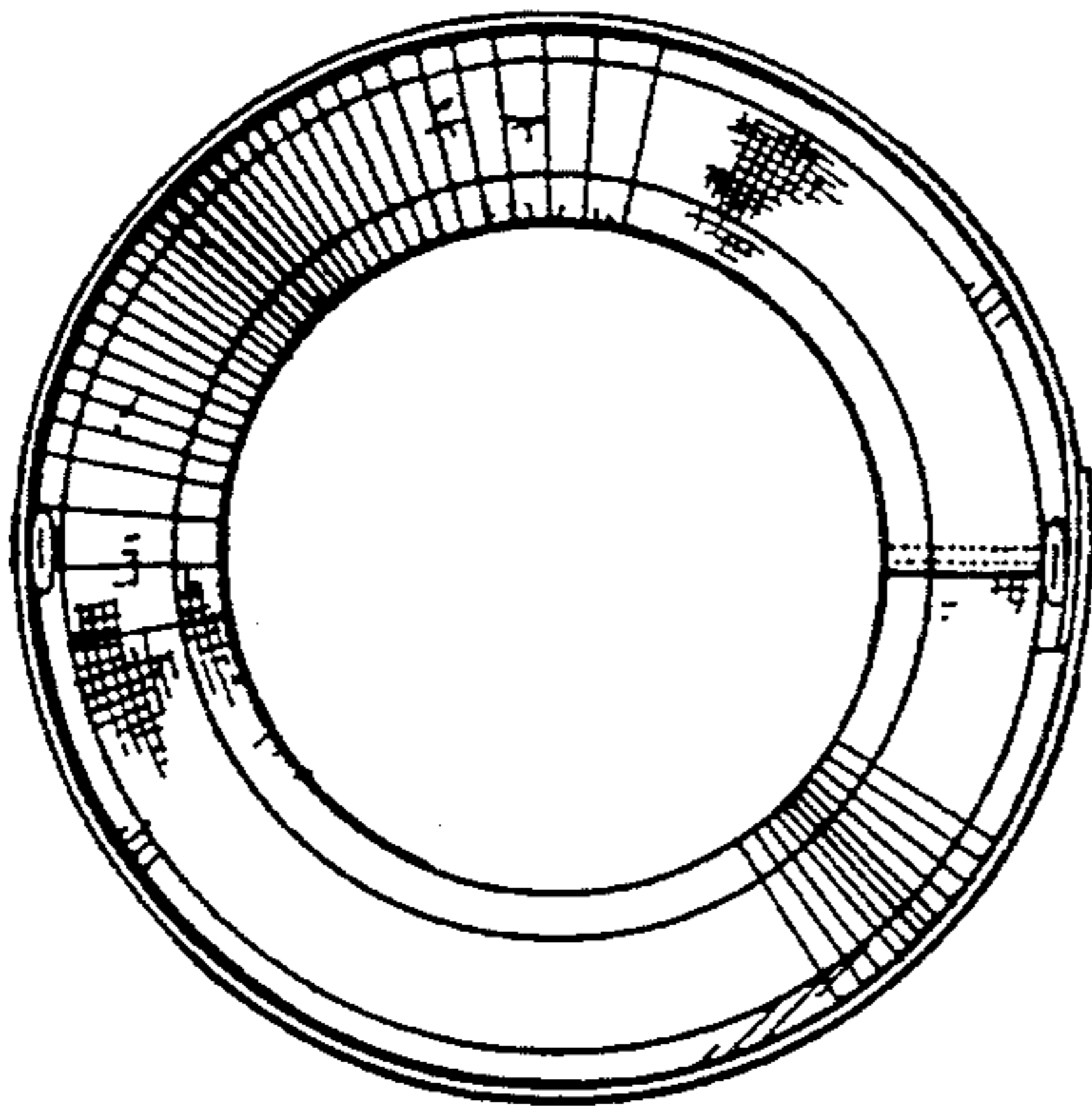


FIG. 1

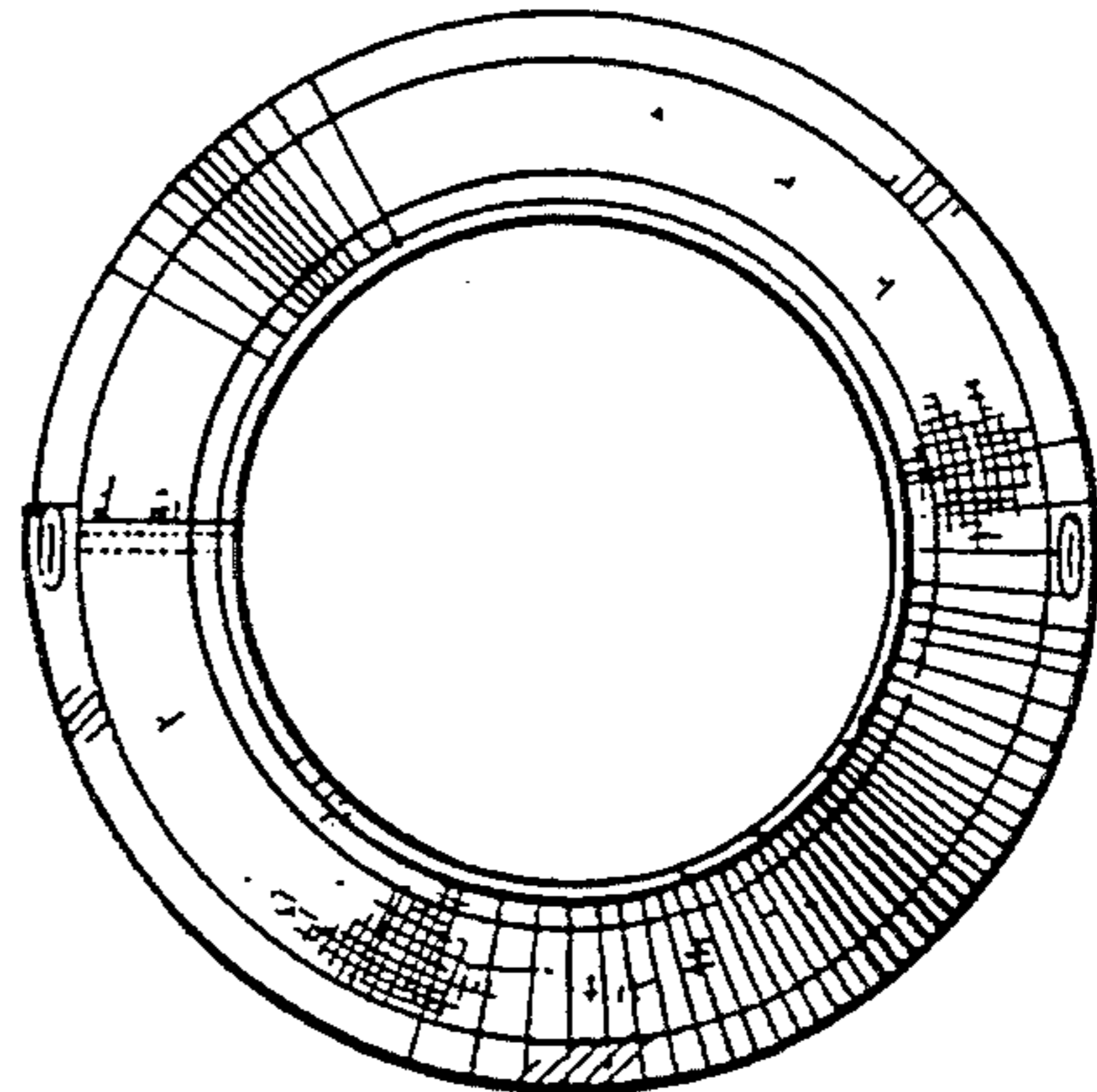


FIG. 2

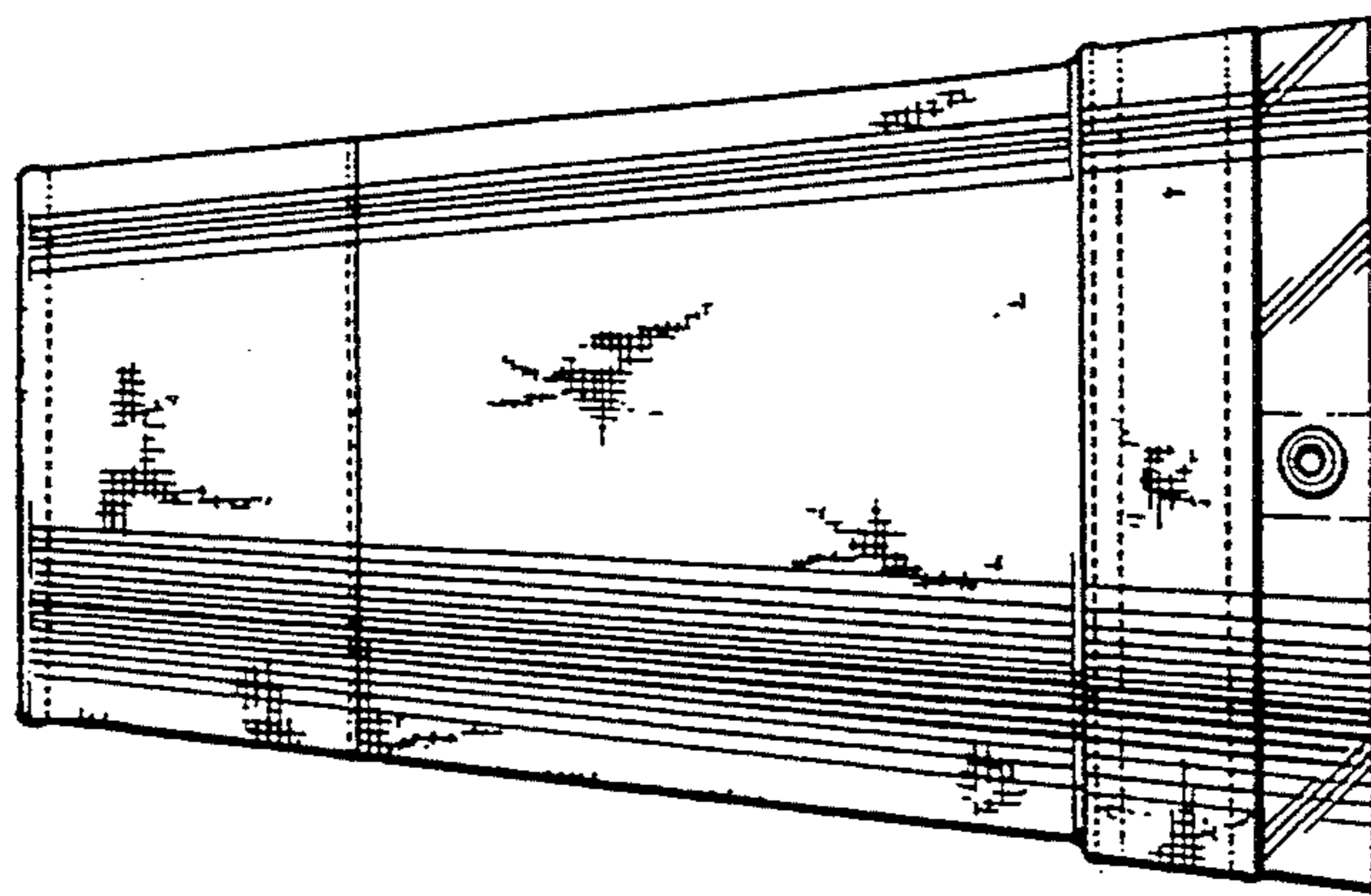


FIG. 3

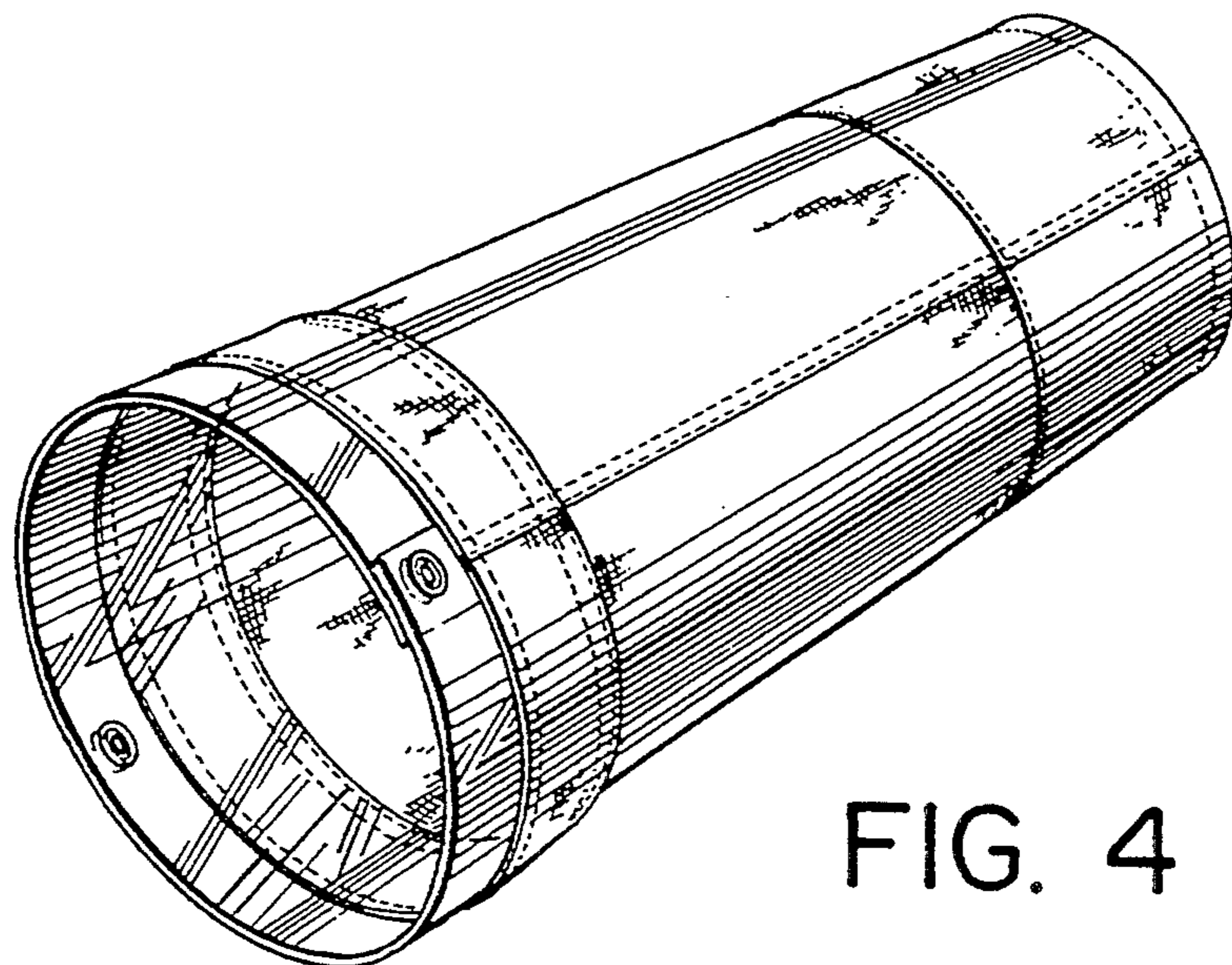


FIG. 4