



US00D358184S

United States Patent [19]

[11] Patent Number: **Des. 358,184**

Amburgey et al.

[45] Date of Patent: **** May 9, 1995**

- [54] **FOLDING SOCCER AND HOCKEY GOAL**
- [75] Inventors: **James D. Amburgey, Richardson; Peter C. Hill, Plano, both of Tex.**
- [73] Assignee: **Today's Kids, Inc., Boonesville, Ark.**
- [**] Term: **14 Years**
- [21] Appl. No.: **18,386**
- [22] Filed: **Feb. 4, 1994**
- [52] U.S. Cl. **D21/200**
- [58] Field of Search **D21/200; 273/26 A, 26 R, 273/127 R, 127 C, 127 D, 181 F, 181 R, 182 R, 182 A, 396, 410, 411, 400, 407**

Primary Examiner—Theodore M. Shooman
Assistant Examiner—Cheri Cohen
Attorney, Agent, or Firm—Kirkpatrick & Lockhart

[57] CLAIM

The ornamental design for a folding soccer and hockey goal, as shown and described.

DESCRIPTION

FIG. 1 is a front perspective view of the folding soccer and hockey goal in open position showing our new design;
 FIG. 2 is a front elevational view of the folding soccer and hockey goal illustrated in FIG. 1;
 FIG. 3 is a rear elevational view of the folding soccer and hockey goal illustrated in FIG. 1;
 FIG. 4 is a right side elevational view of the folding soccer and hockey goal illustrated in FIG. 1;
 FIG. 5 is a top view of the folding soccer and hockey goal illustrated in FIG. 1;
 FIG. 6 is a bottom view of the folding soccer and hockey goal illustrated in FIG. 1;
 FIG. 7 is a front perspective view of the folding soccer and hockey goal illustrated in FIG. 1 in closed position;
 FIG. 8 is a front elevational view of the folding soccer and hockey goal illustrated in FIG. 7;
 FIG. 9 is a rear elevational view of the folding soccer and hockey goal illustrated in FIG. 7;
 FIG. 10 is a right side elevational view of the folding soccer and hockey goal illustrated in FIG. 7;
 FIG. 11 is a top view of the folding soccer and hockey goal illustrated in FIG. 7; and,
 FIG. 12 is a bottom view of the folding soccer and hockey goal illustrated in FIG. 7.

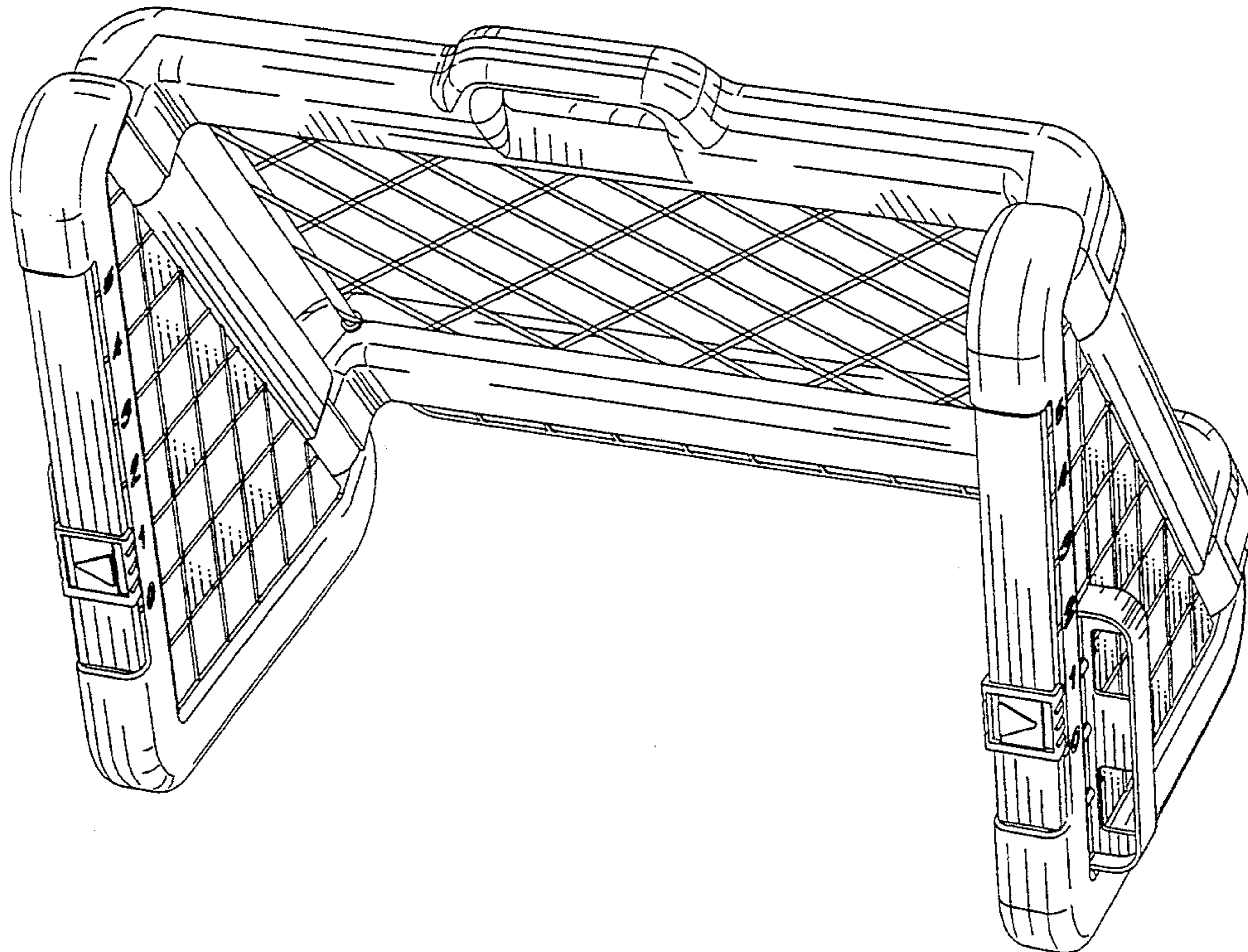
[56] References Cited

U.S. PATENT DOCUMENTS

D. 334,886	4/1993	Cortelli et al. .	
4,083,561	4/1978	Daffer, Jr.	273/57.2
4,116,446	9/1978	Thompson .	
4,258,923	3/1981	Senoh .	
4,286,786	9/1981	Papadopoulos .	
4,407,507	10/1983	Caruso .	
4,420,158	12/1983	Klock et al. .	
4,786,053	11/1988	Barnes, Jr. .	
4,905,996	3/1990	Tallent et al. .	
4,913,428	4/1990	Nauman	273/411 X
5,080,375	1/1992	Moosavi .	
5,308,083	5/1994	Grunfeld et al.	273/396 X

OTHER PUBLICATIONS

Fisher-Price, 1992, p. 32, "Soccer and Hockey Goal".
 Kwik Goal Ltd., Target Net and Kwik Rebounder,
 author and date unknown.



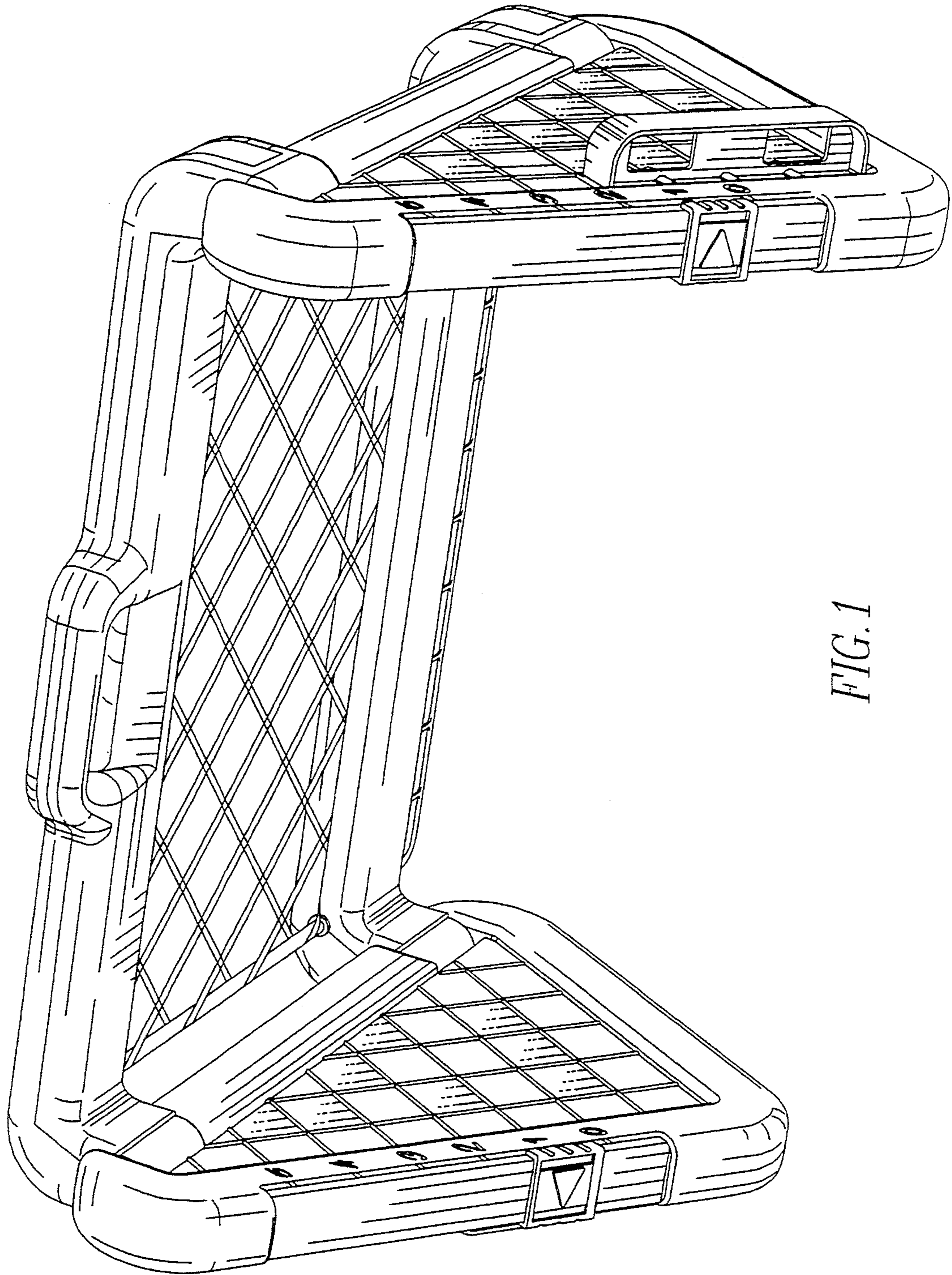


FIG. 1

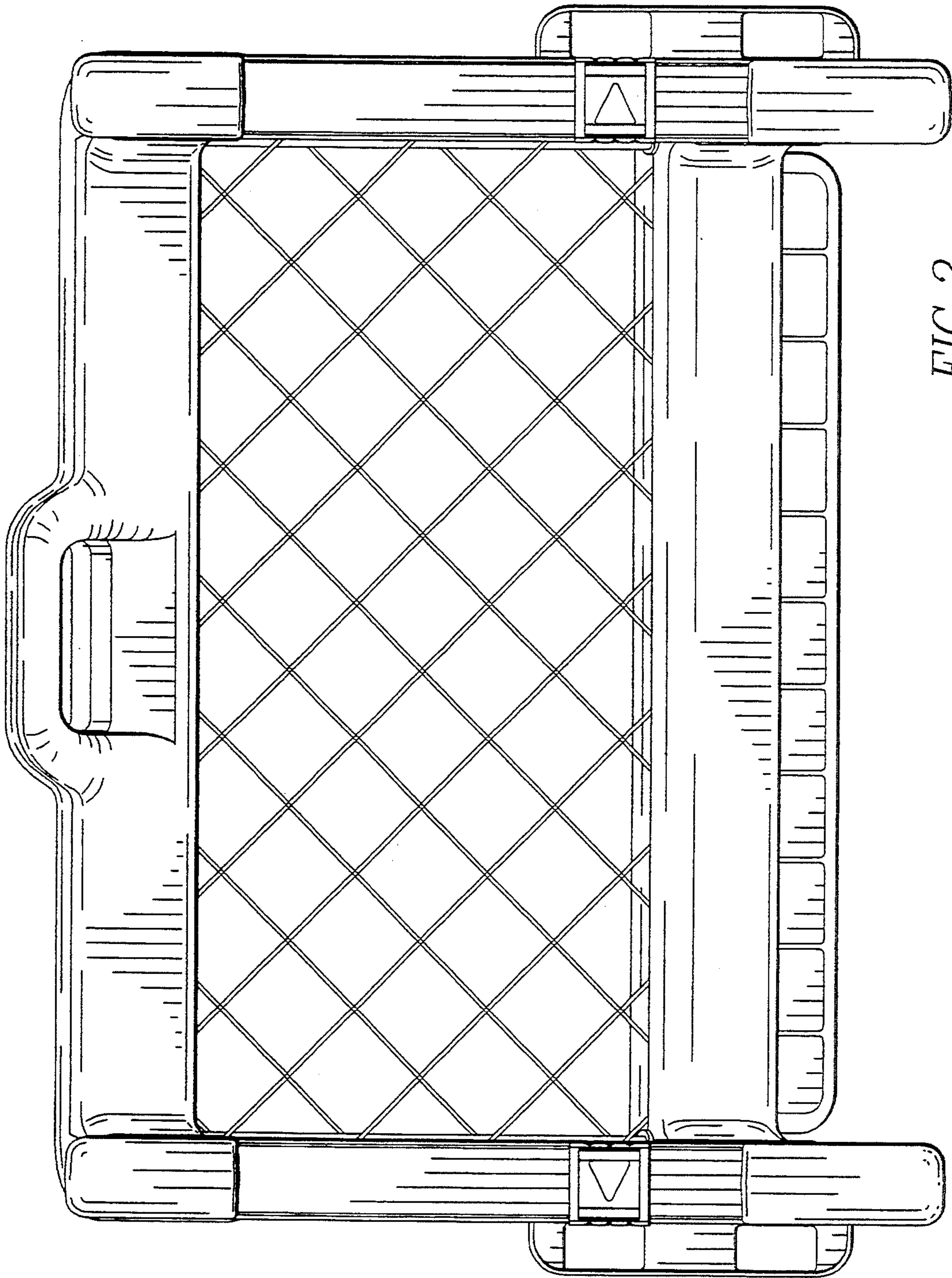


FIG. 2

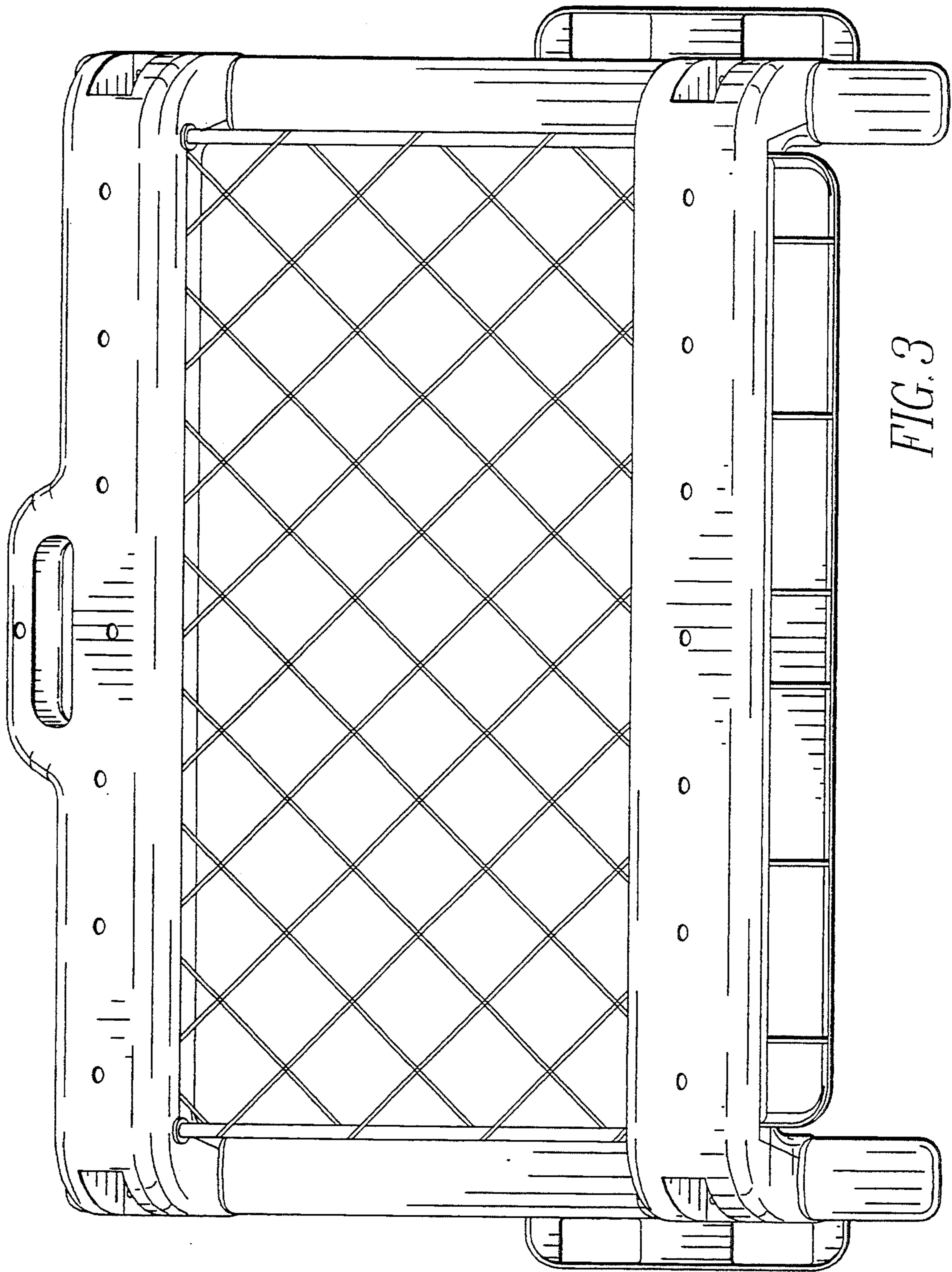


FIG. 3

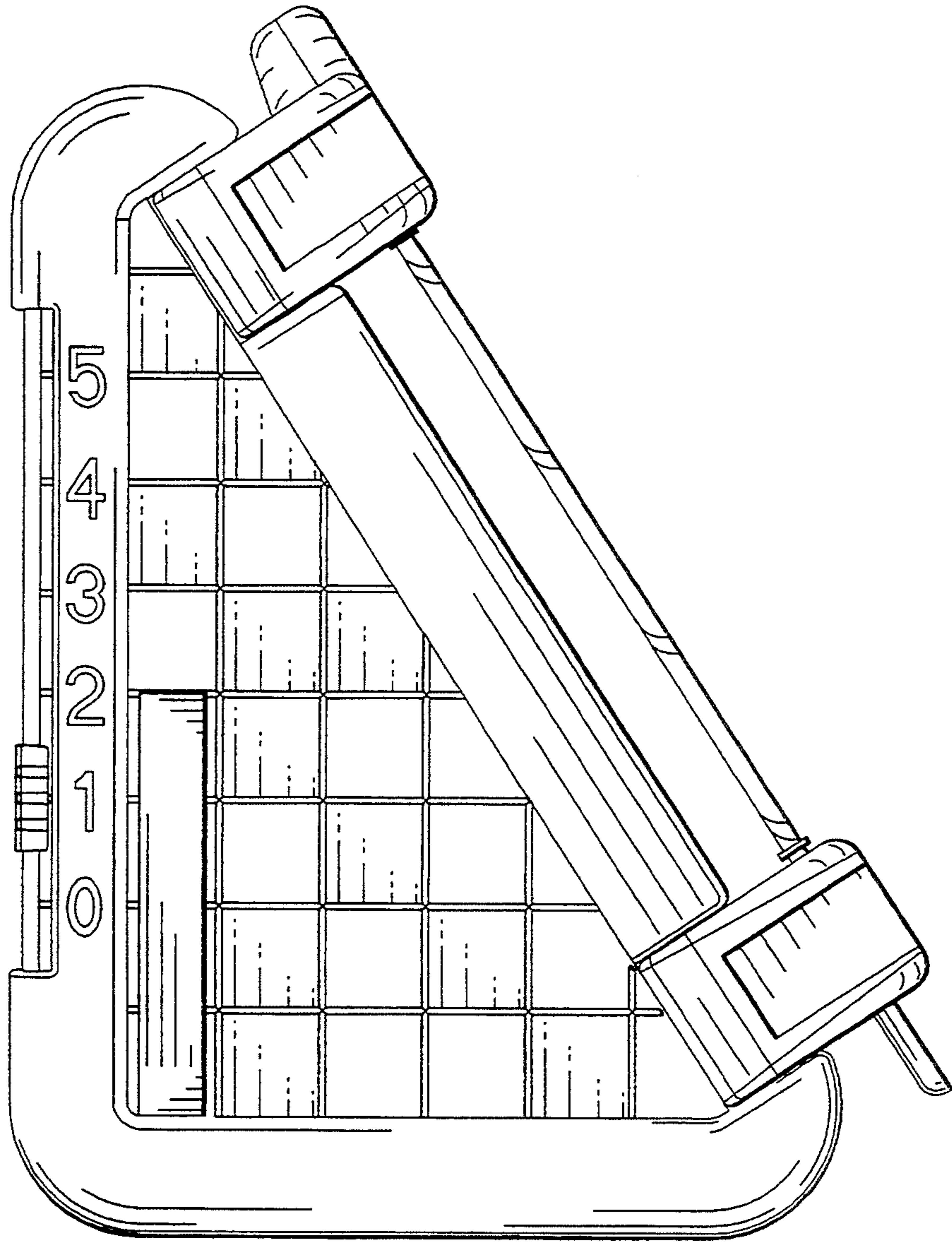


FIG. 4

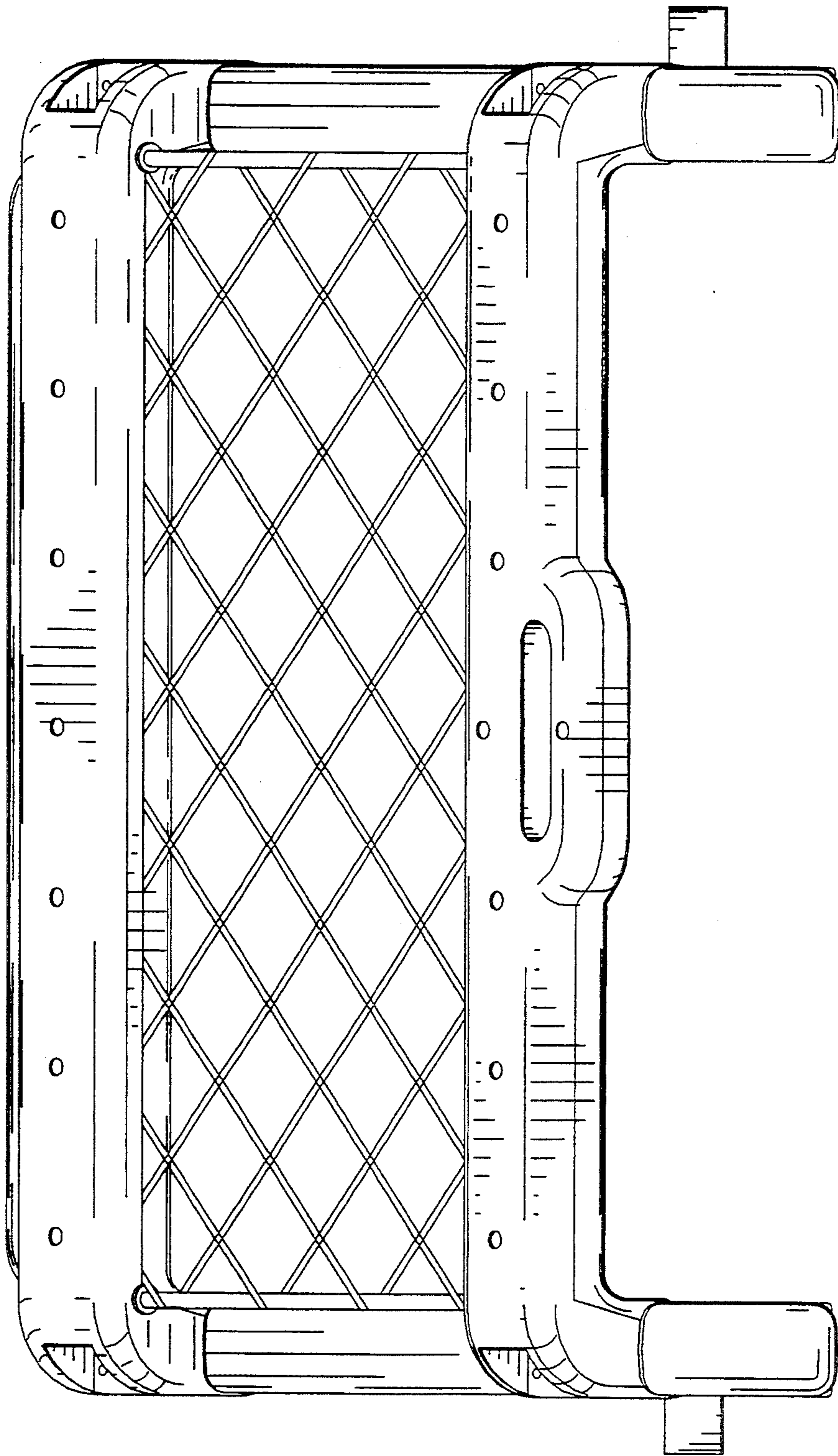


FIG. 5

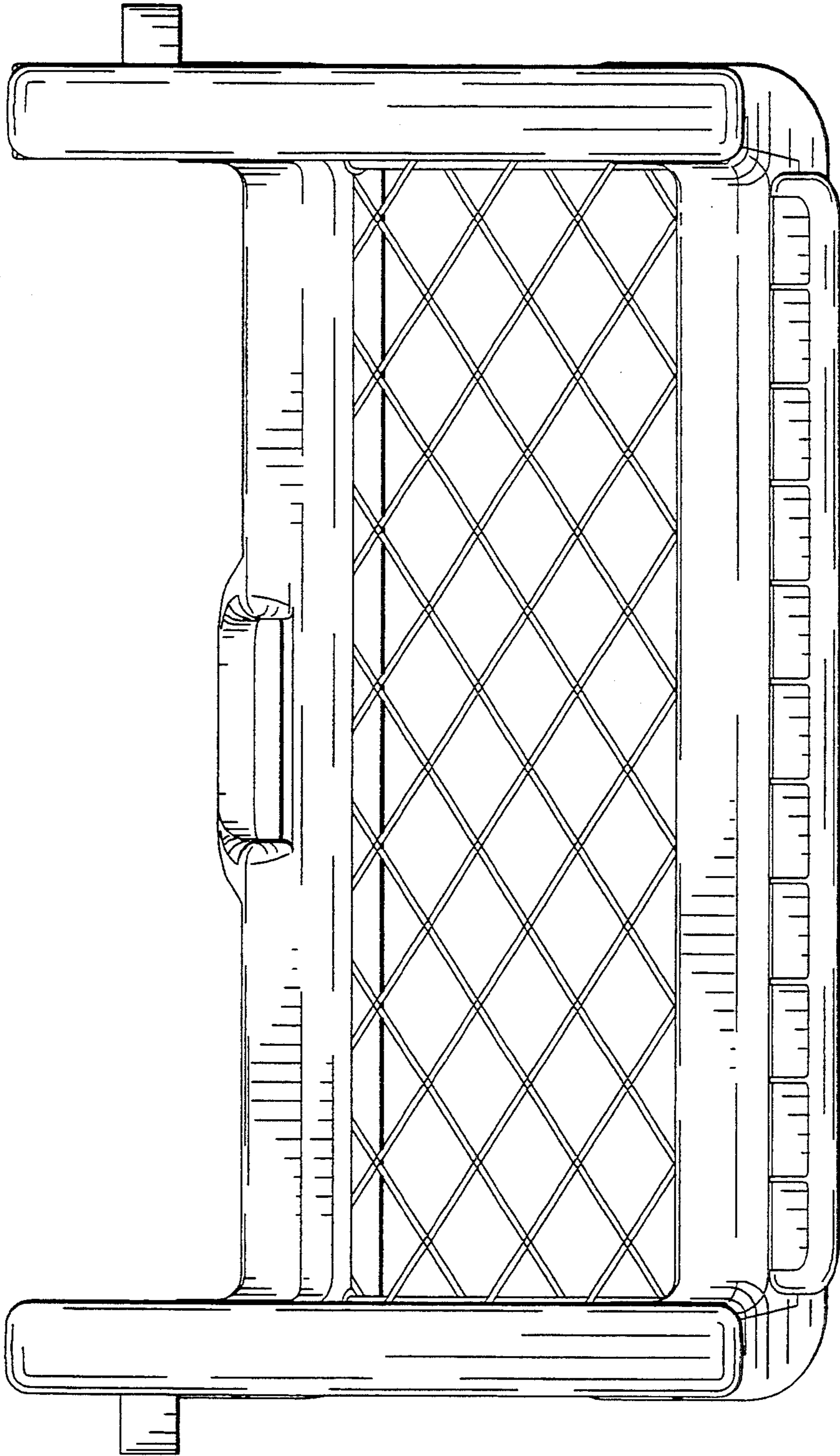


FIG. 6

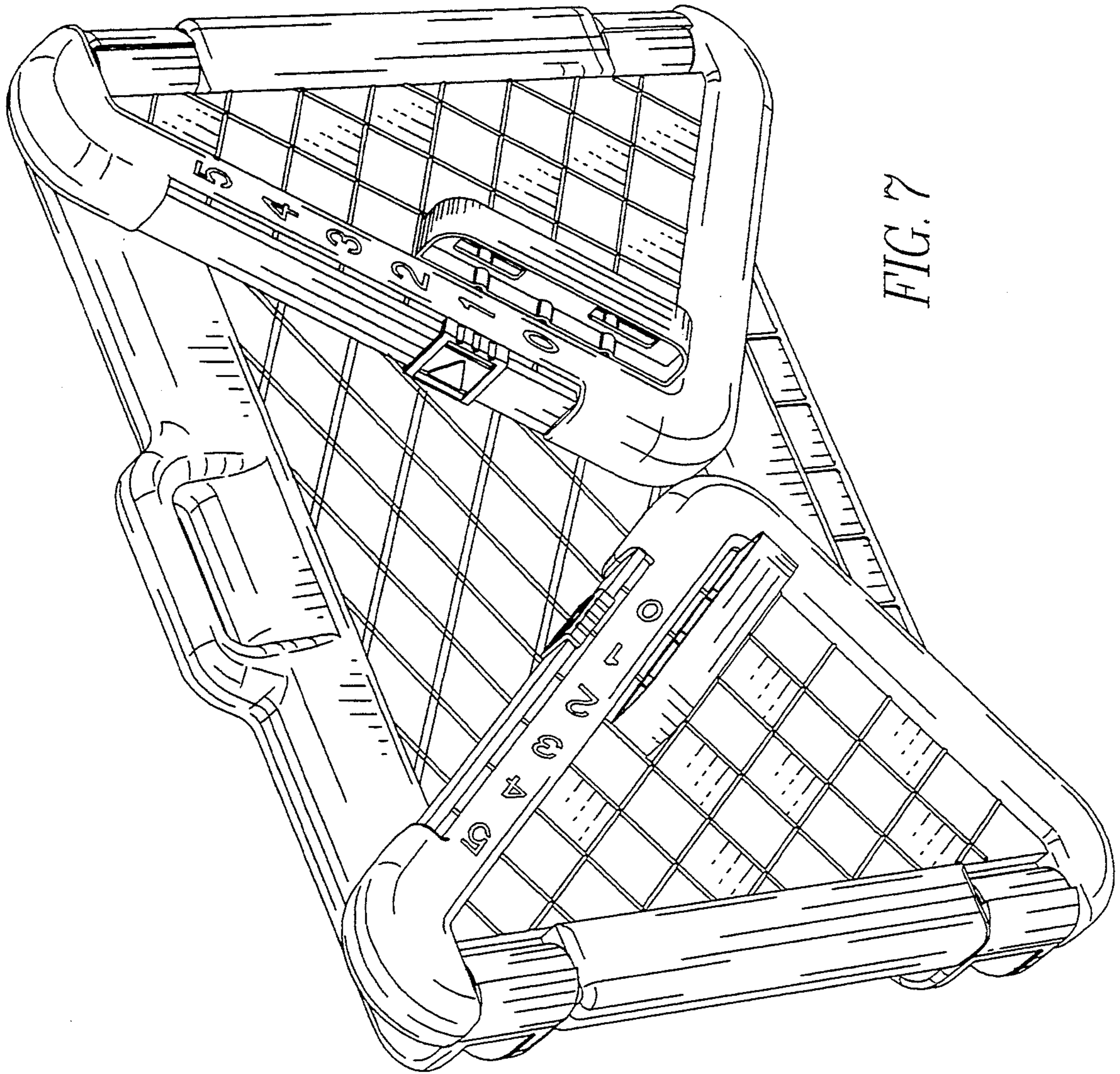


FIG. 7

FIG. 8

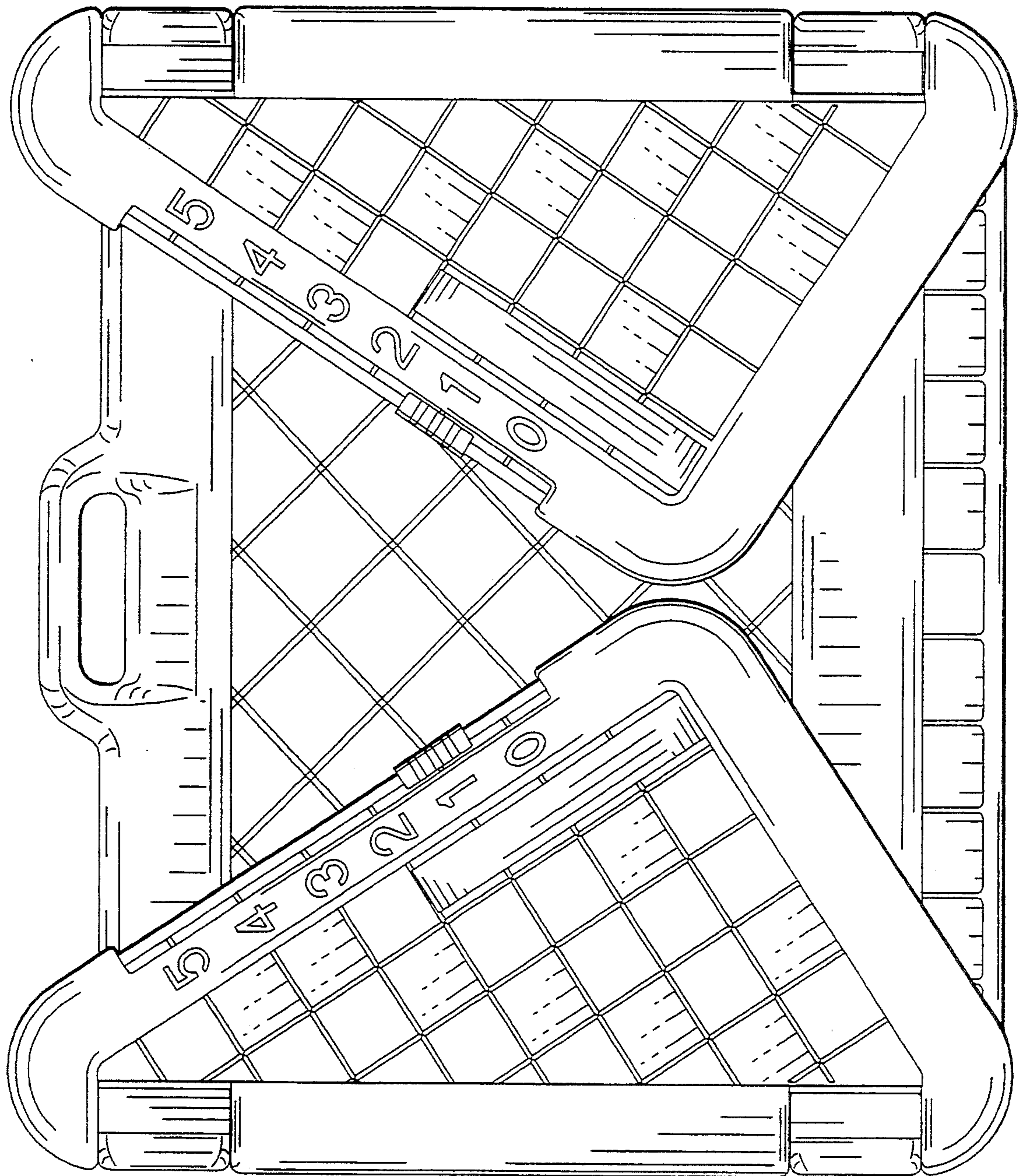
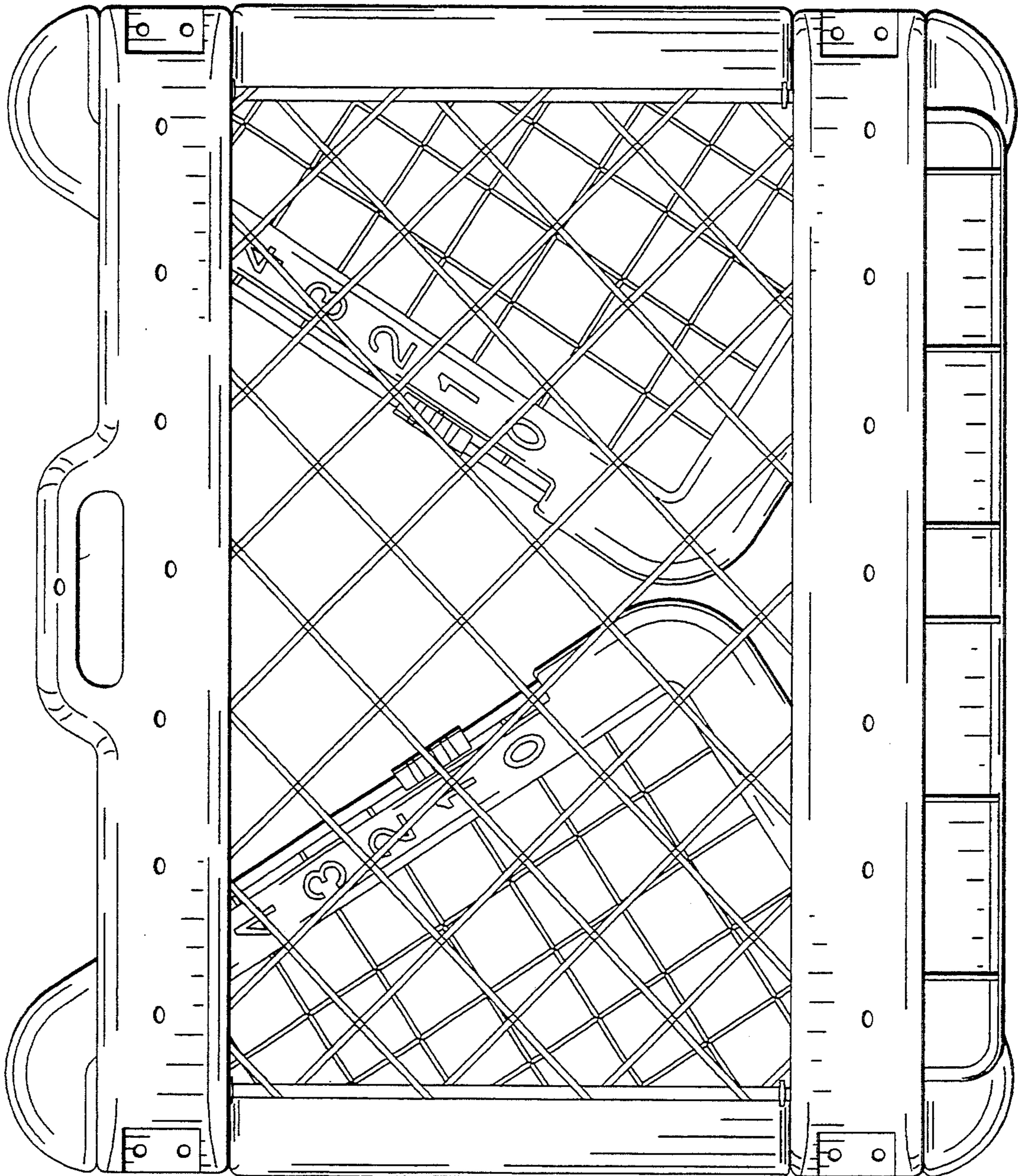


FIG. 9



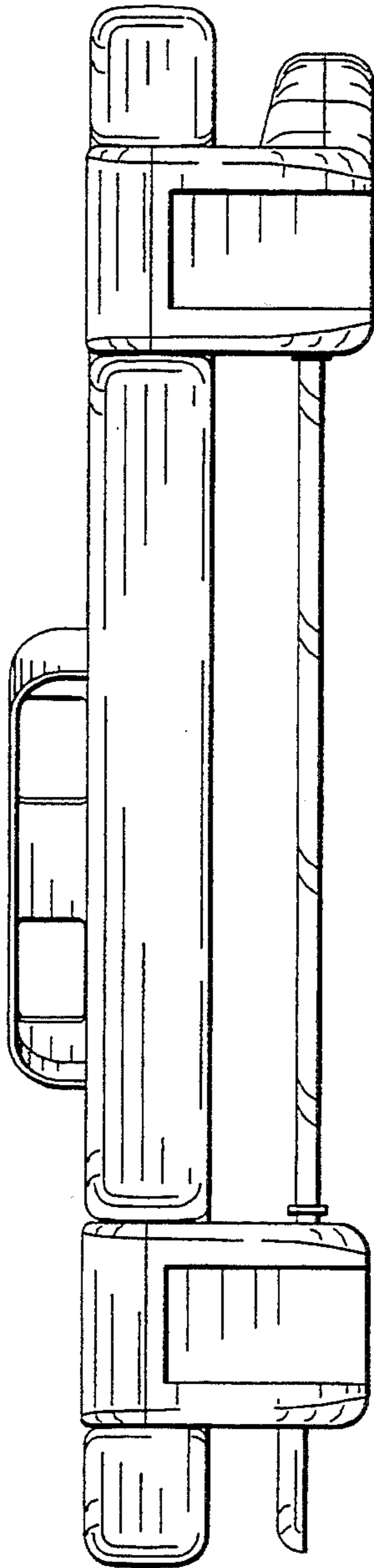


FIG. 10

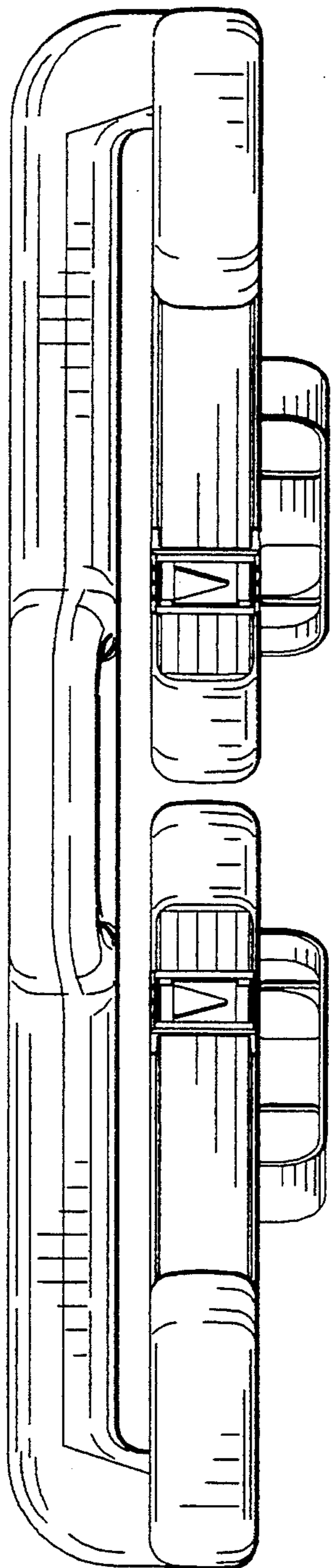


FIG. 11

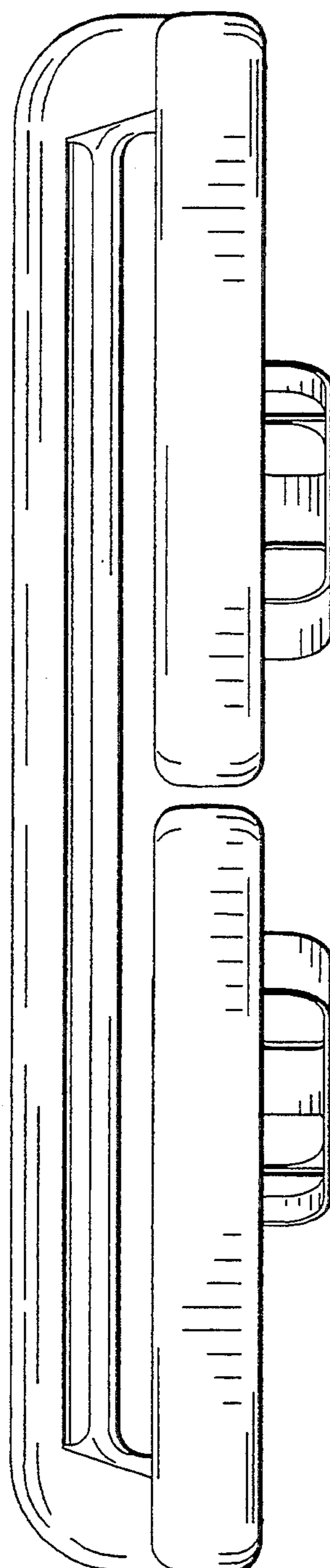


FIG. 12