



US00D358183S

United States Patent [19]

[11] Patent Number: **Des. 358,183**

Habing et al.

[45] Date of Patent: **** May 9, 1995**

[54] **PHYSICAL EXERCISER**

| | | | |
|-----------|---------|-----------------|---------|
| 4,900,018 | 2/1990 | Ish, III et al. | 482/98 |
| 5,221,245 | 6/1993 | Yeh | 482/99 |
| 5,267,930 | 12/1993 | Henes | 482/133 |

[75] Inventors: **Theodore G. Habing**, Long Beach; **Ronald S. Gibson**, Valencia; **Mark Ulves**, Anaheim Hills, all of Calif.

[73] Assignee: **Pacific Fitness Corporation**, Cypress, Calif.

[**] Term: **14 Years**

[21] Appl. No.: **9,701**

[22] Filed: **Jun. 17, 1993**

[52] U.S. Cl. **D21/195**

[58] Field of Search **D21/191, 195; 482/92, 482/93, 94, 97, 98, 137**

OTHER PUBLICATIONS

Muscle & Fitness magazine, Sep. 1992, p. 121, Weider E9000 exerciser.

Primary Examiner—Terry A. Wallace
Assistant Examiner—Philip Hyder
Attorney, Agent, or Firm—Blakely, Sokoloff, Taylor & Zafman

[57] CLAIM

The ornamental design for a physical exerciser, as shown.

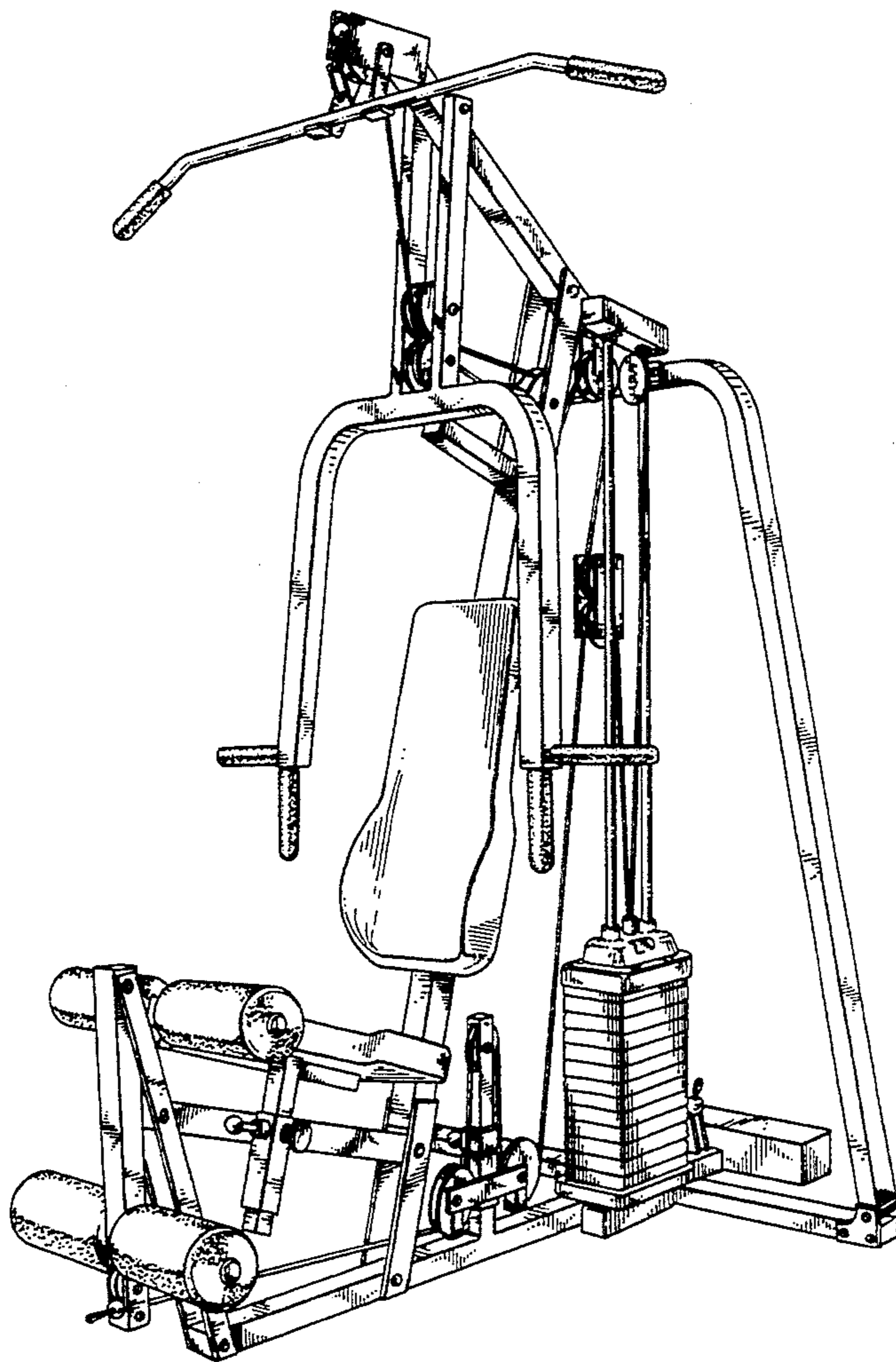
DESCRIPTION

FIG. 1 is a perspective view of our new design; FIG. 2 is a left side elevation view thereof; FIG. 3 is a rear elevation view thereof; FIG. 4 is a right side elevation view thereof; FIG. 5 is a front elevation view thereof; FIG. 6 is a top plan view thereof; and, FIG. 7 is a bottom plan view thereof.

[56] References Cited

U.S. PATENT DOCUMENTS

| | | | |
|------------|---------|---------------|---------|
| D. 288,451 | 2/1987 | Irvine et al. | D21/195 |
| D. 303,558 | 9/1989 | Alessandri | D21/195 |
| D. 306,053 | 2/1990 | Beistegui | D21/195 |
| D. 324,710 | 3/1992 | Habing | D21/195 |
| D. 330,238 | 10/1992 | Desiderio | D21/195 |



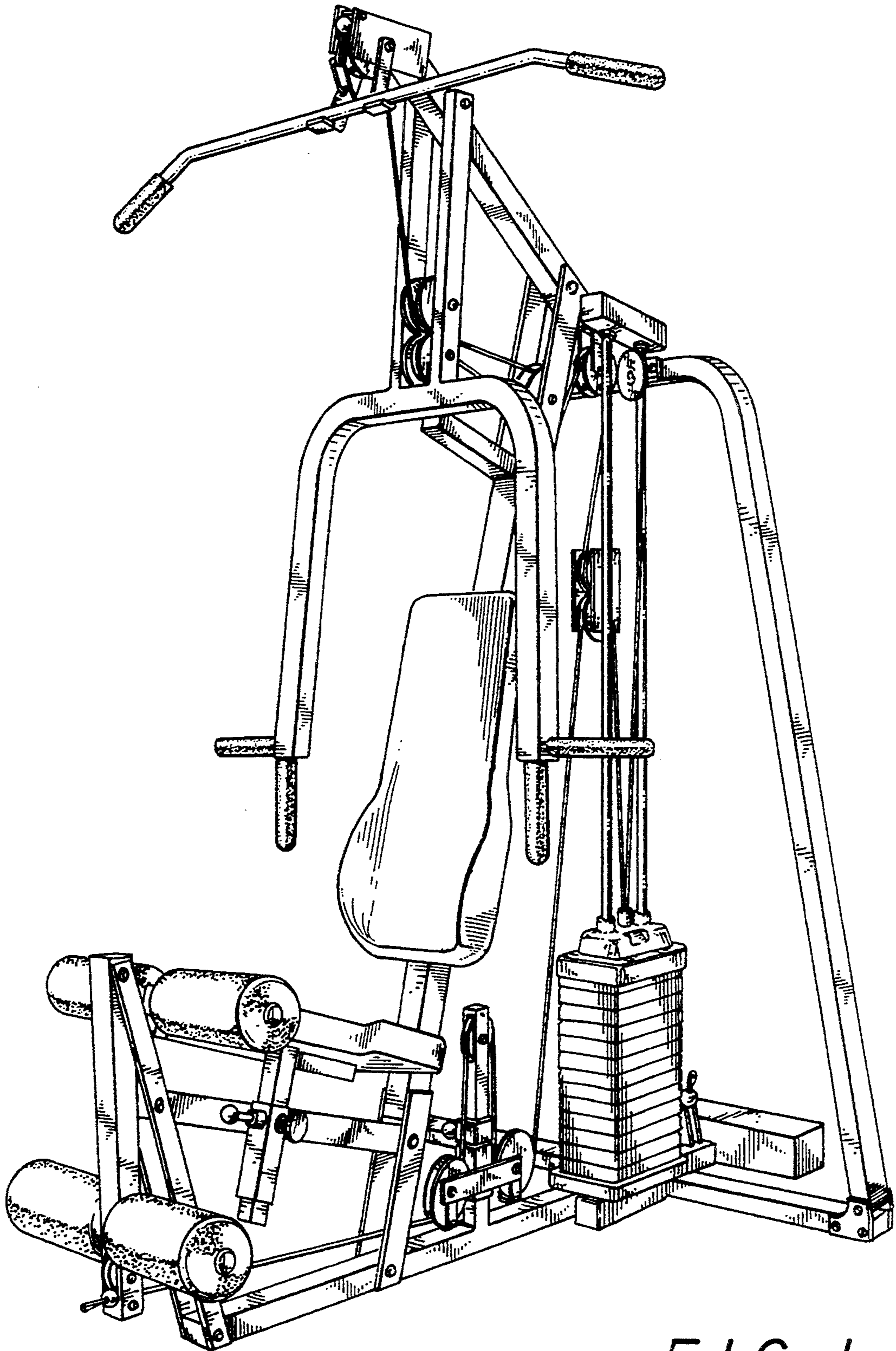


FIG. 1

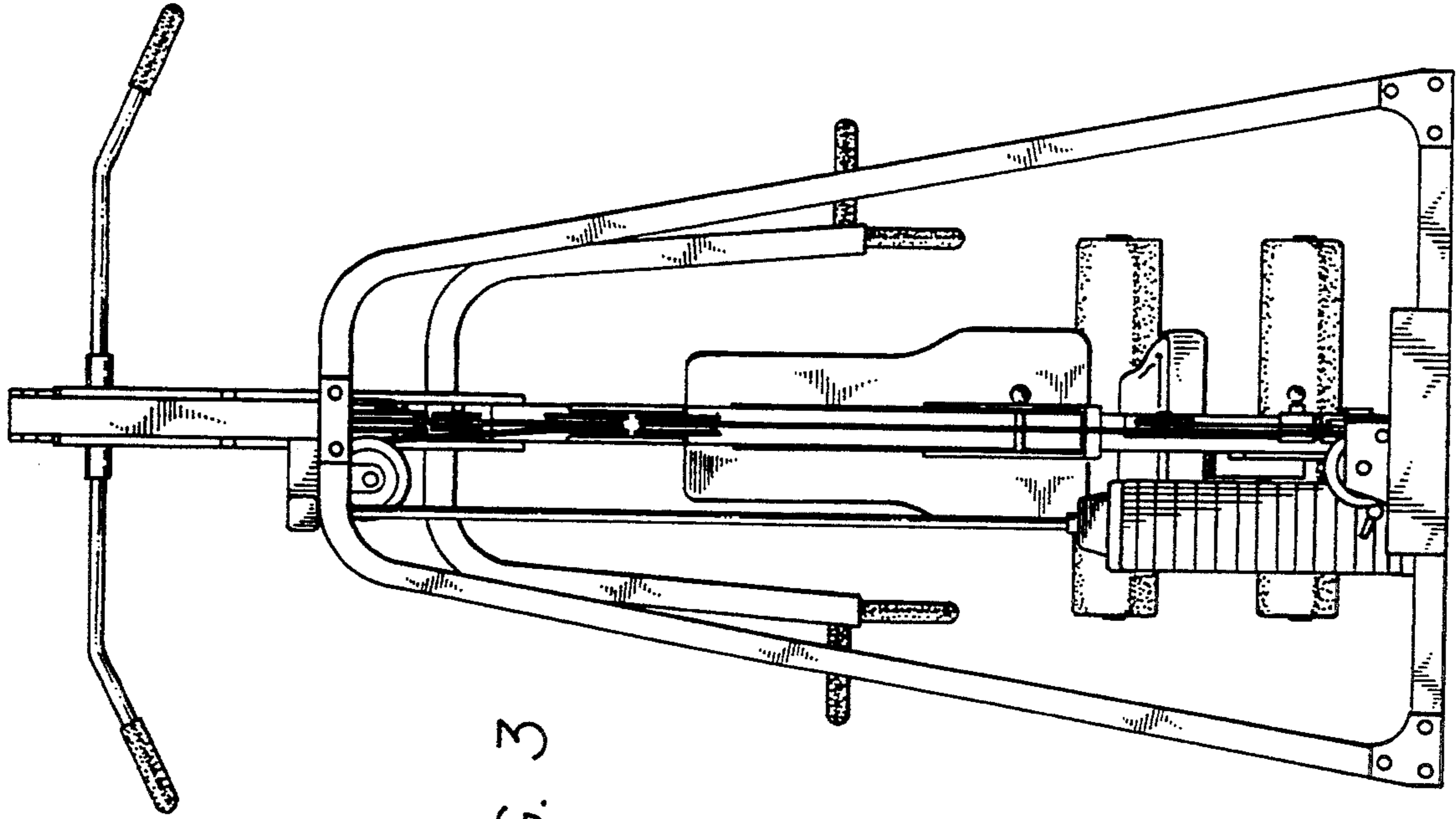


FIG. 3

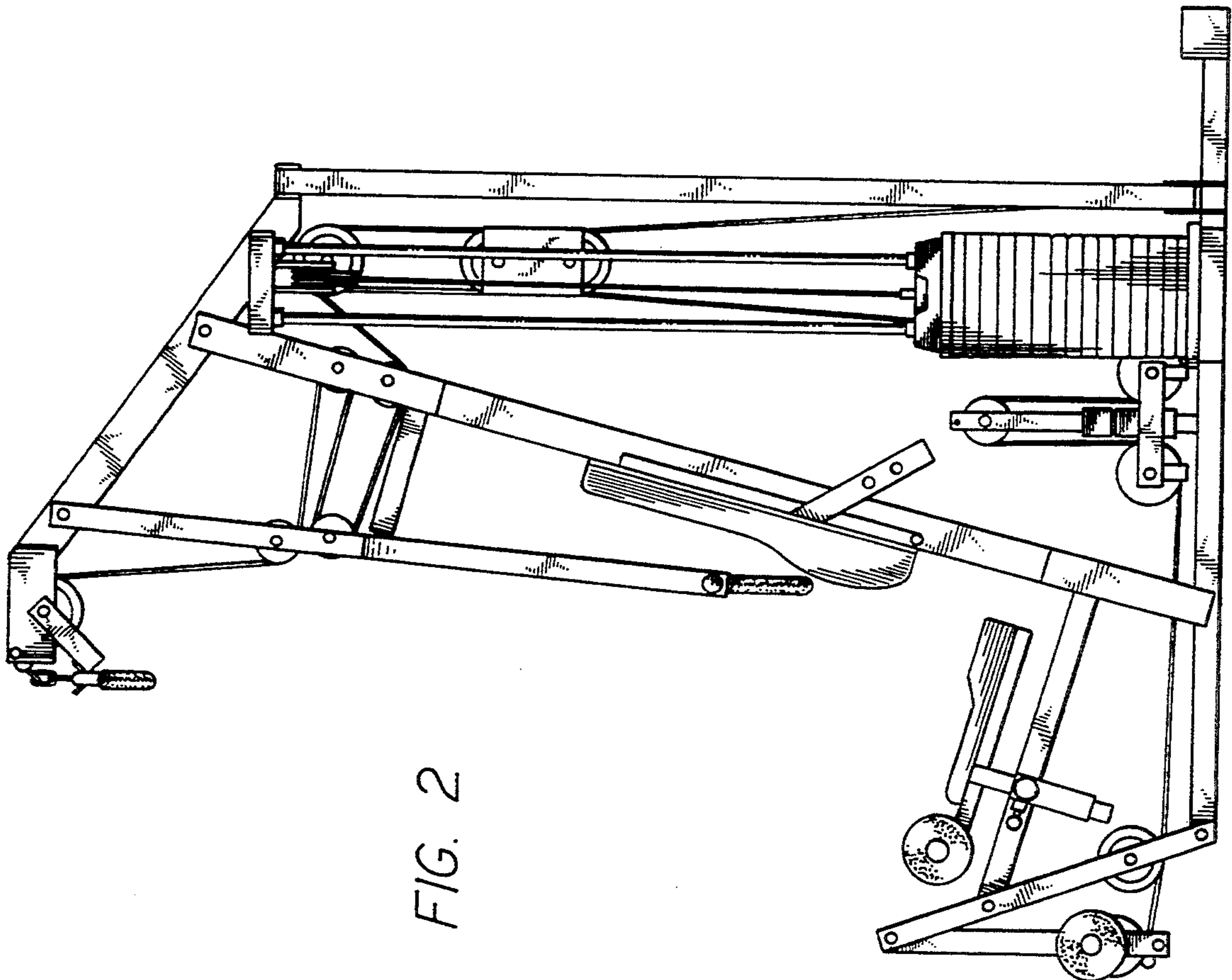


FIG. 2

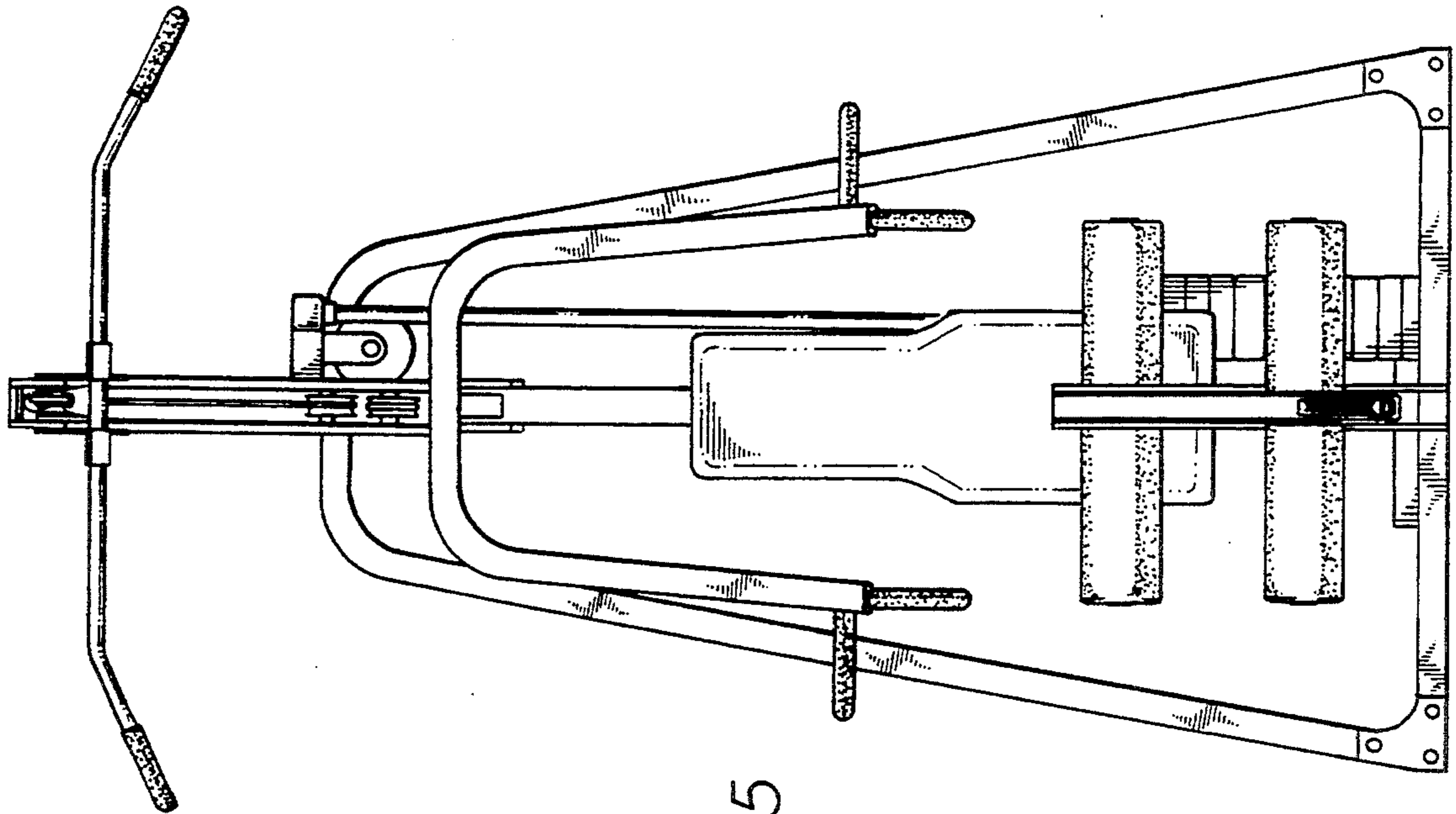


FIG. 5

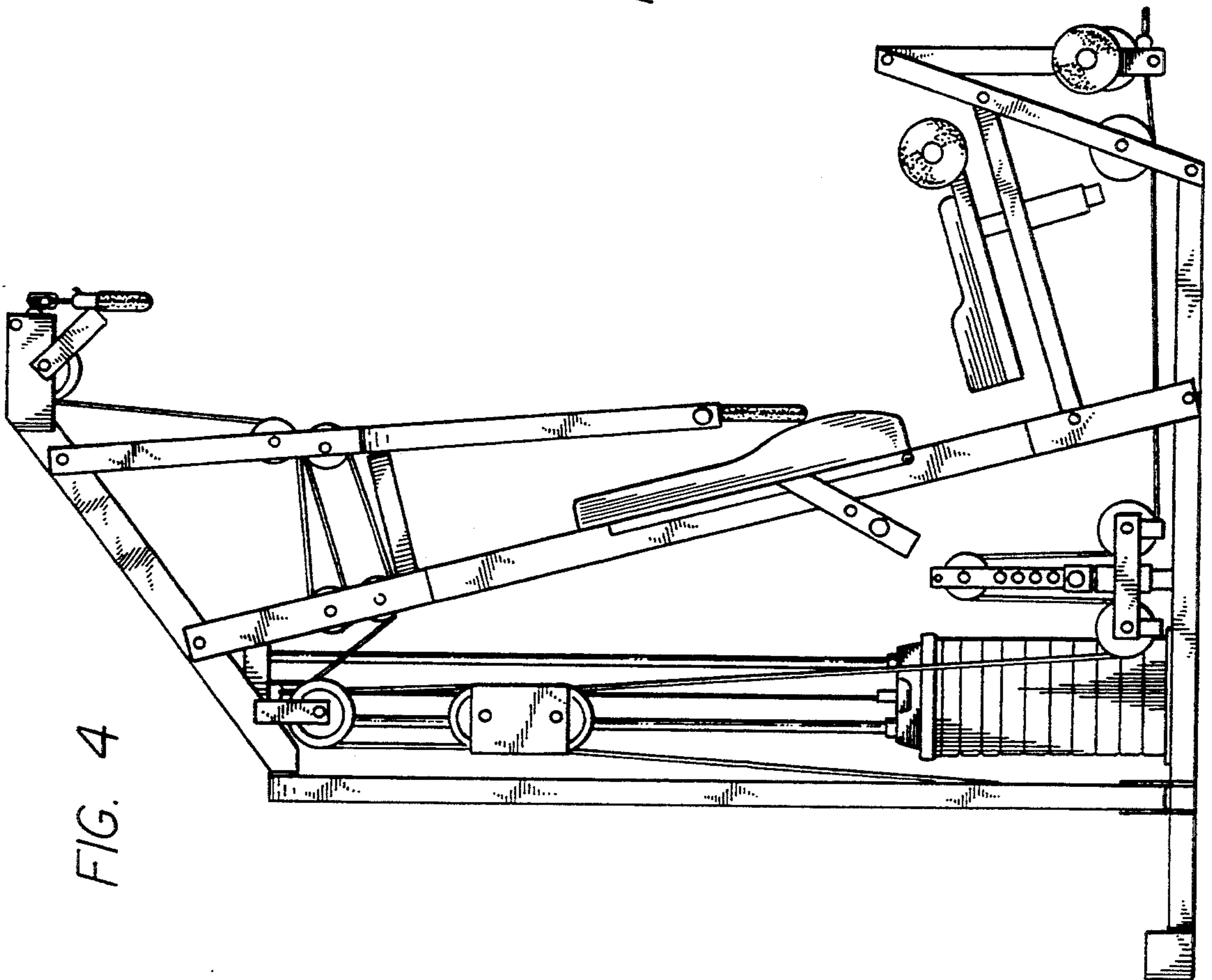


FIG. 4

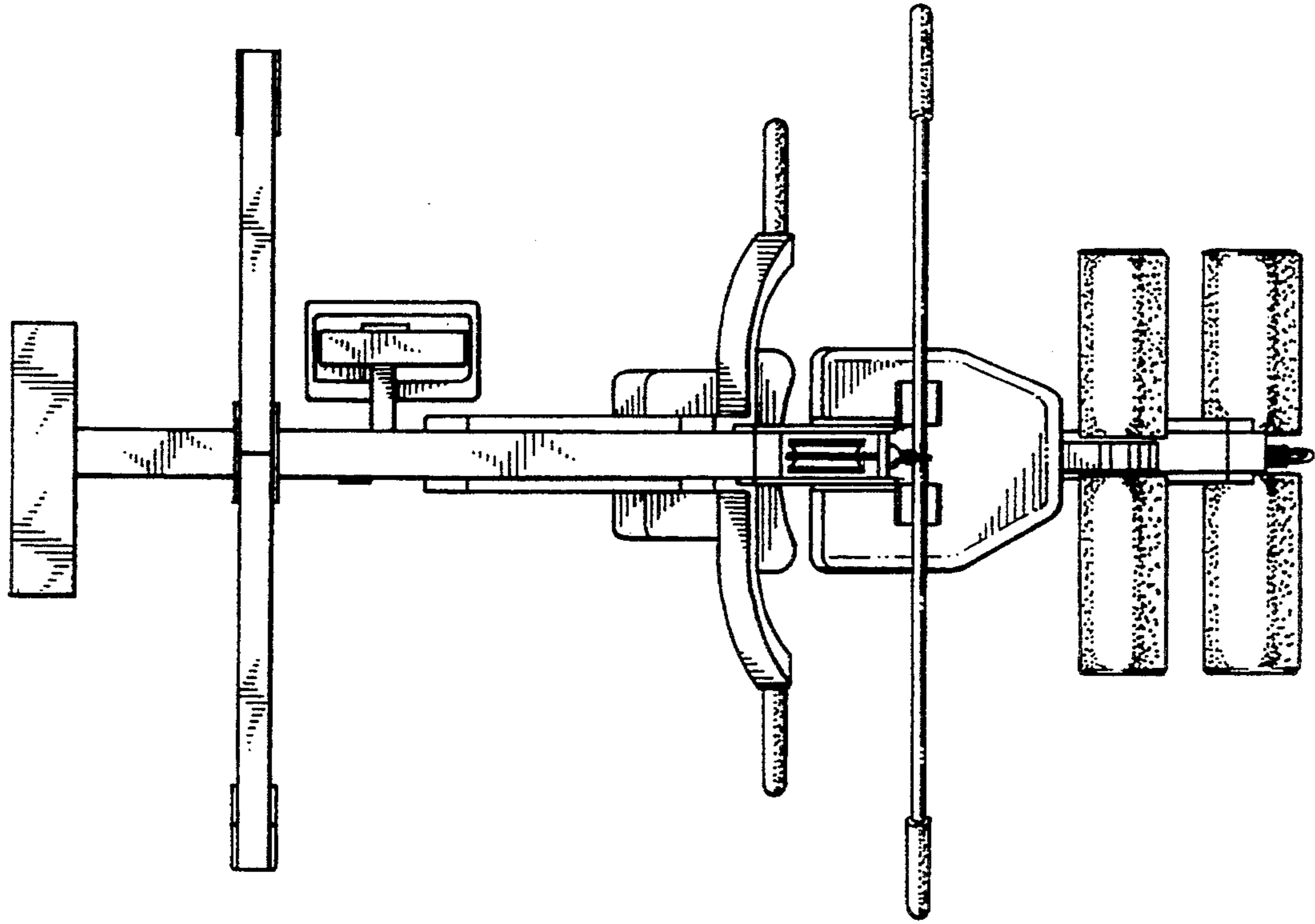


FIG. 6

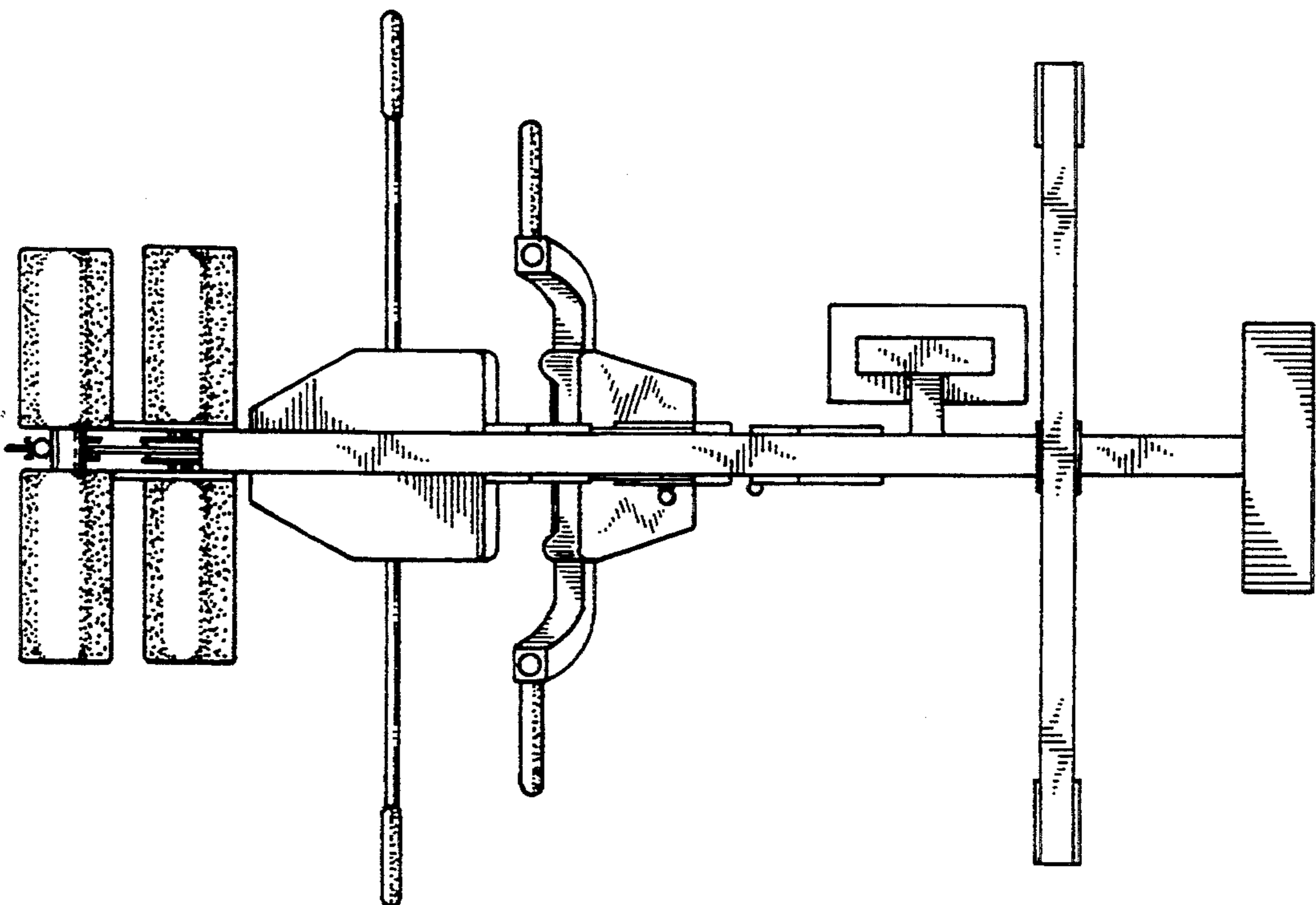


FIG. 7