



US00D358182S

United States Patent [19]

[11] Patent Number: **Des. 358,182**

Yang

[45] Date of Patent: **** May 9, 1995**

[54] **COMBINED STEPPING AND TWISTING EXERCISER**

4,319,749 3/1982 Agyagos 482/147
5,242,340 9/1993 Jerome 482/52

[76] Inventor: **Lien-Chuan Yang**, 11F.-1, No. 149,
Sec. 3, Roosevelt Rd., Taipei,
Taiwan, Prov. of China

Primary Examiner—Prabhakar G. Deshmukh
Assistant Examiner—Philip Hyder
Attorney, Agent, or Firm—Bacon & Thomas

[**] Term: **14 Years**

[57] **CLAIM**

[21] Appl. No.: **17,083**

The ornamental design for a combined stepping and twisting exerciser, as shown and described.

[22] Filed: **Jan. 4, 1994**

[52] U.S. Cl. **D21/191; D21/193;
D21/195**

DESCRIPTION

[58] Field of Search **D21/191, 193, 195;
482/52, 131, 146, 147**

FIG. 1 is a top, front right side perspective view of a combined stepping and twisting exerciser showing my new design;

[56] **References Cited**

U.S. PATENT DOCUMENTS

D. 319,085 8/1991 Kuo D21/195
D. 329,887 9/1992 Yang D21/195
4,220,329 9/1980 Agyagos 482/147

FIG. 2 is a front elevational view;

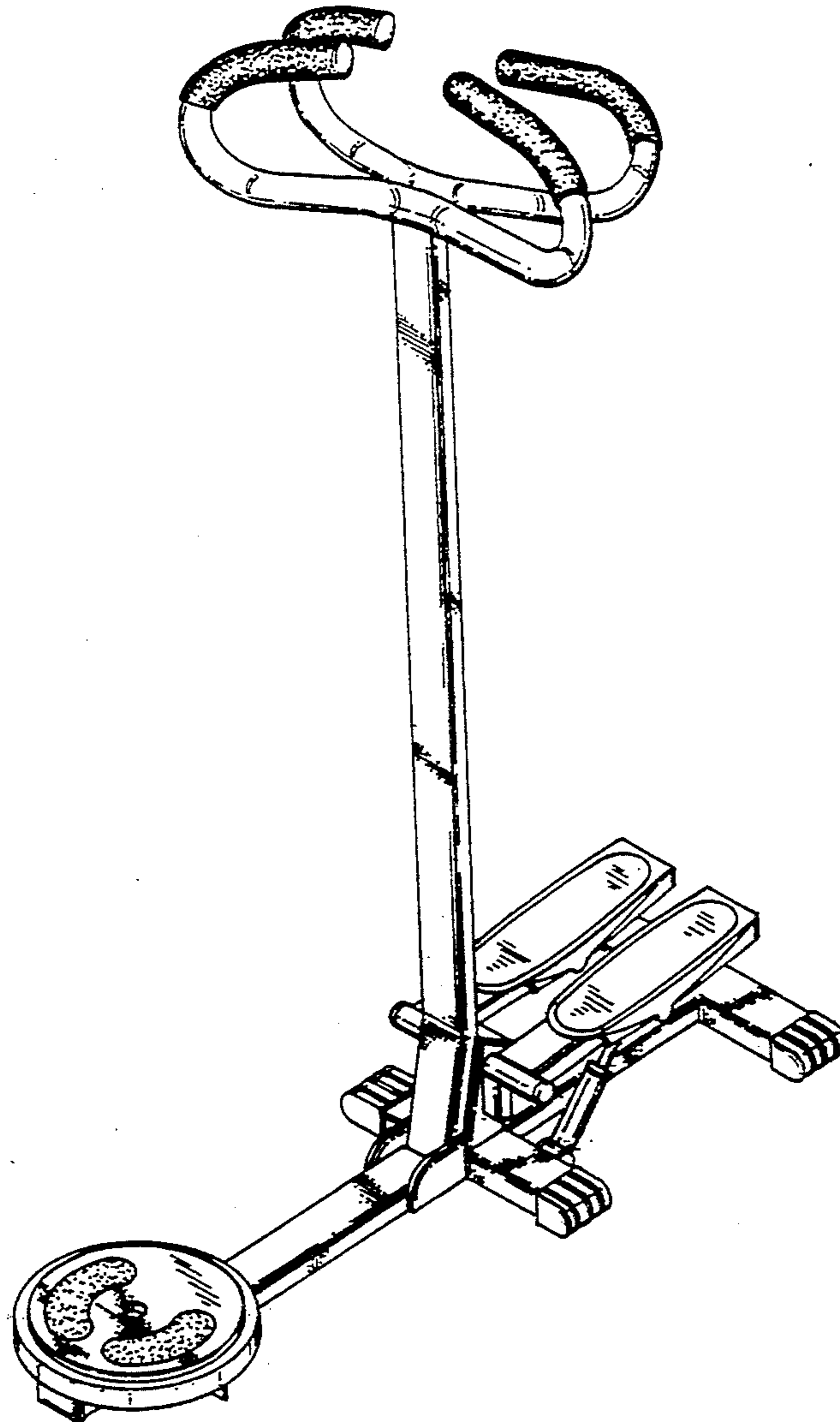
FIG. 3 is a rear elevational view;

FIG. 4 is a left side elevational view;

FIG. 5 is a right elevational view;

FIG. 6 is a top plan view; and,

FIG. 7 is a bottom plan view thereof.



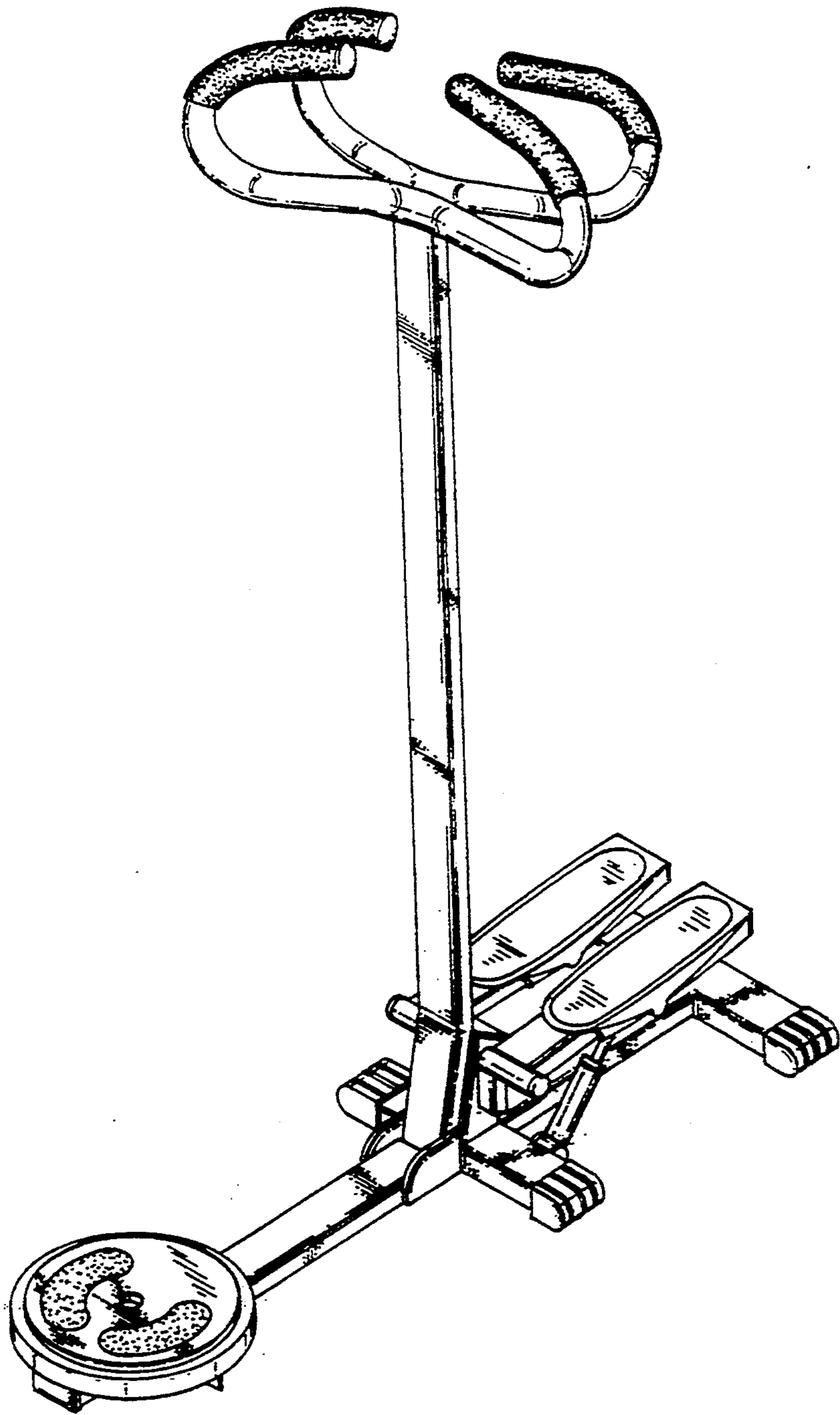


FIG. 1

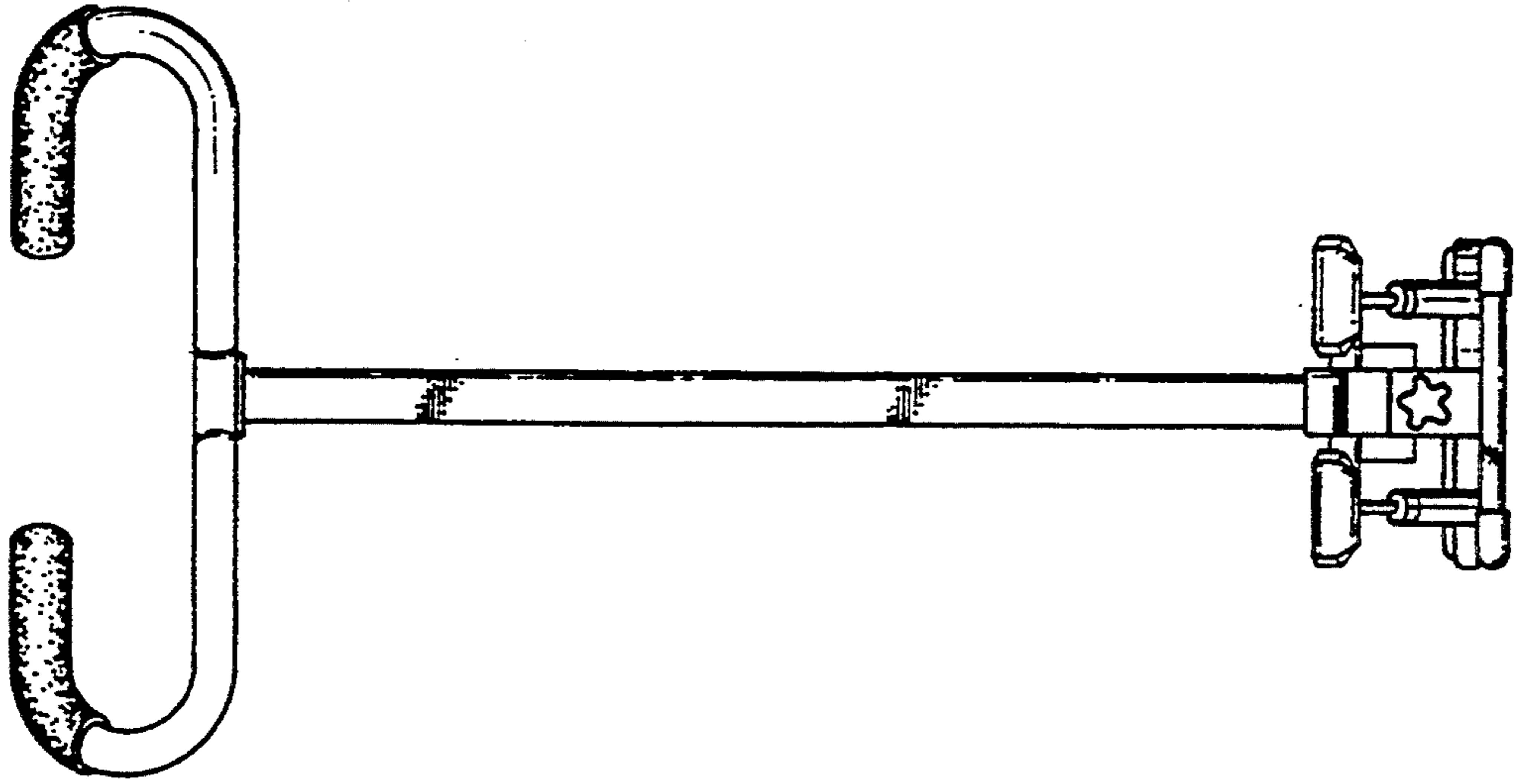


FIG. 3

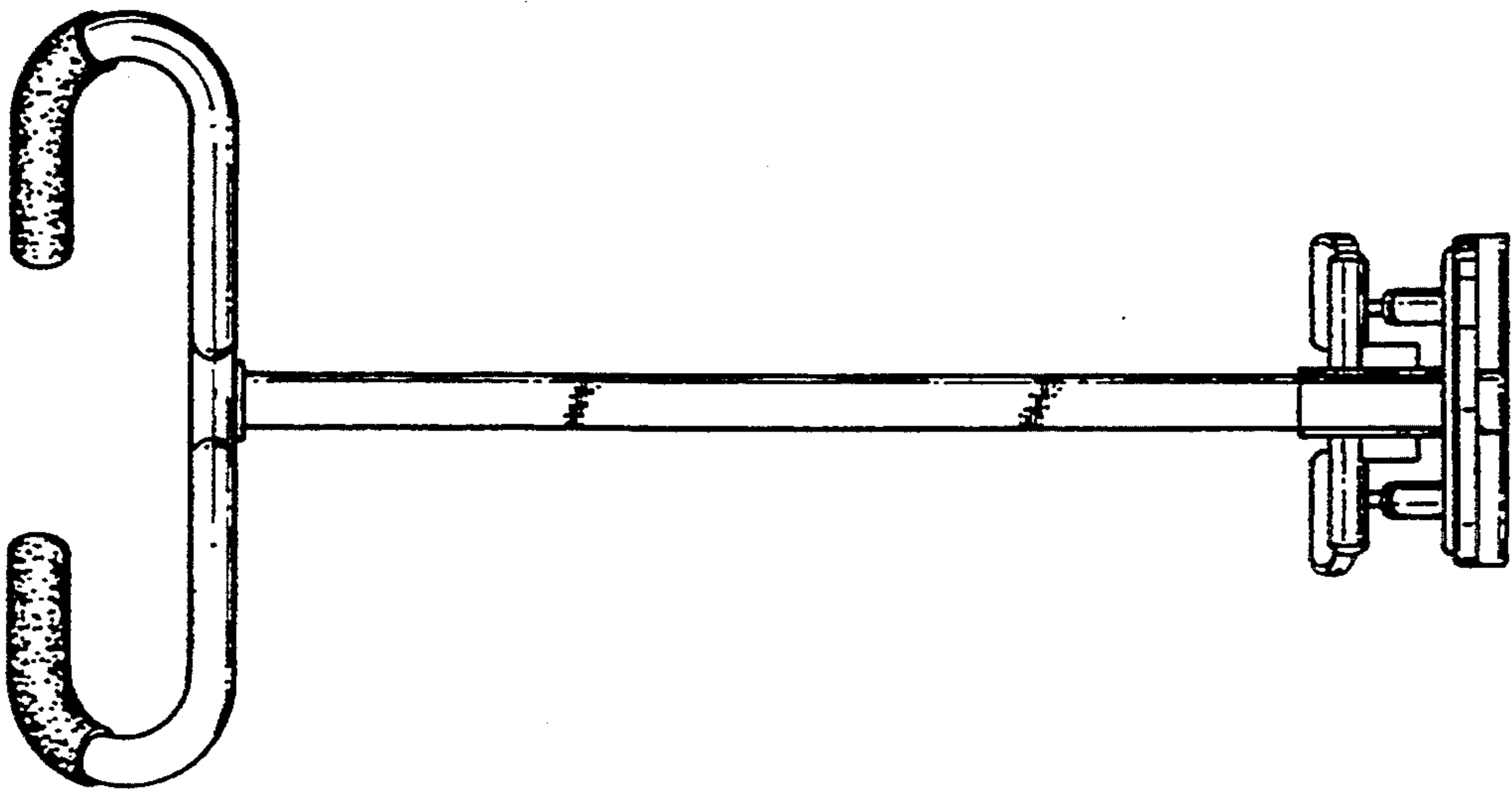


FIG. 2

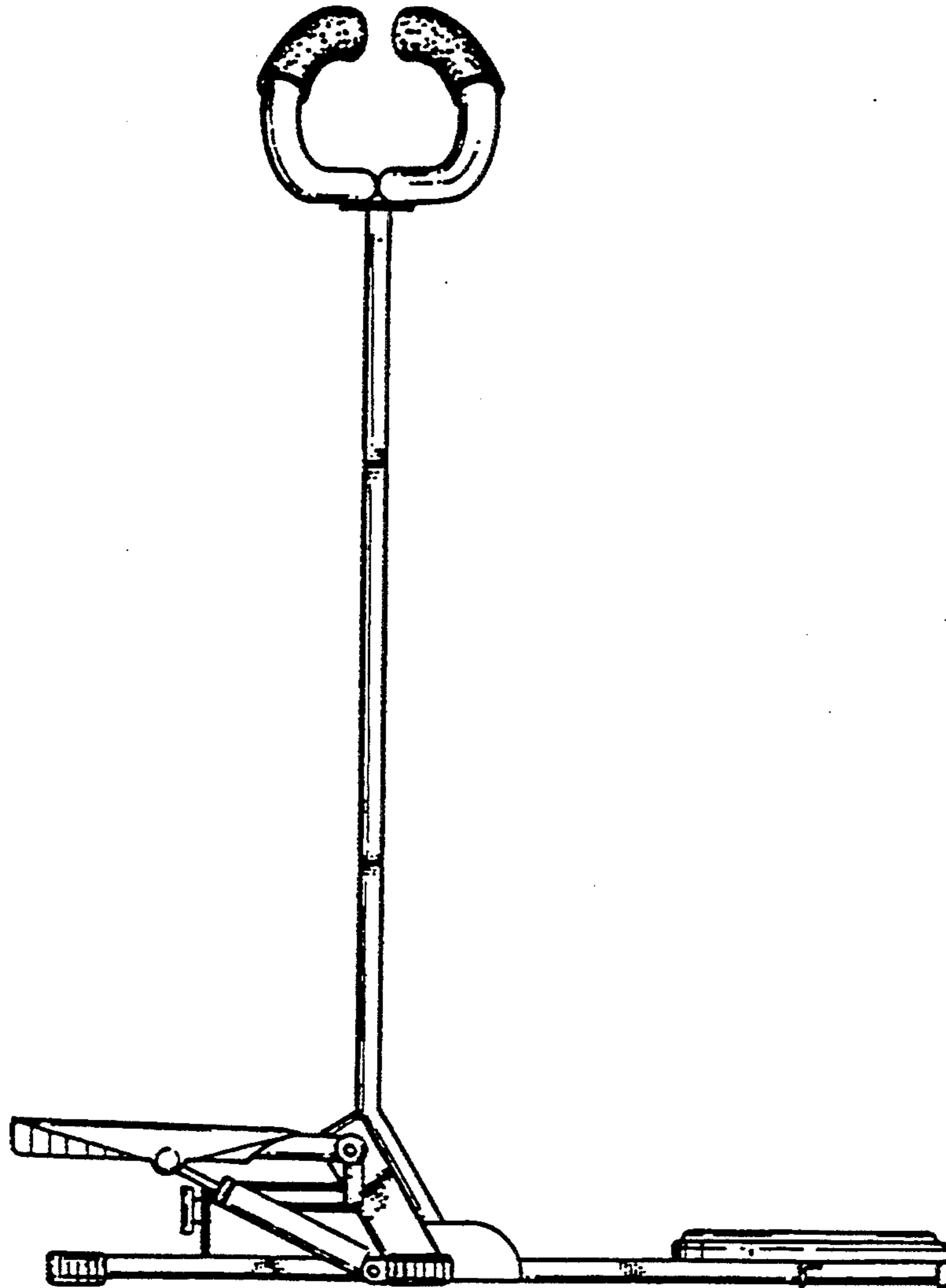


FIG. 4

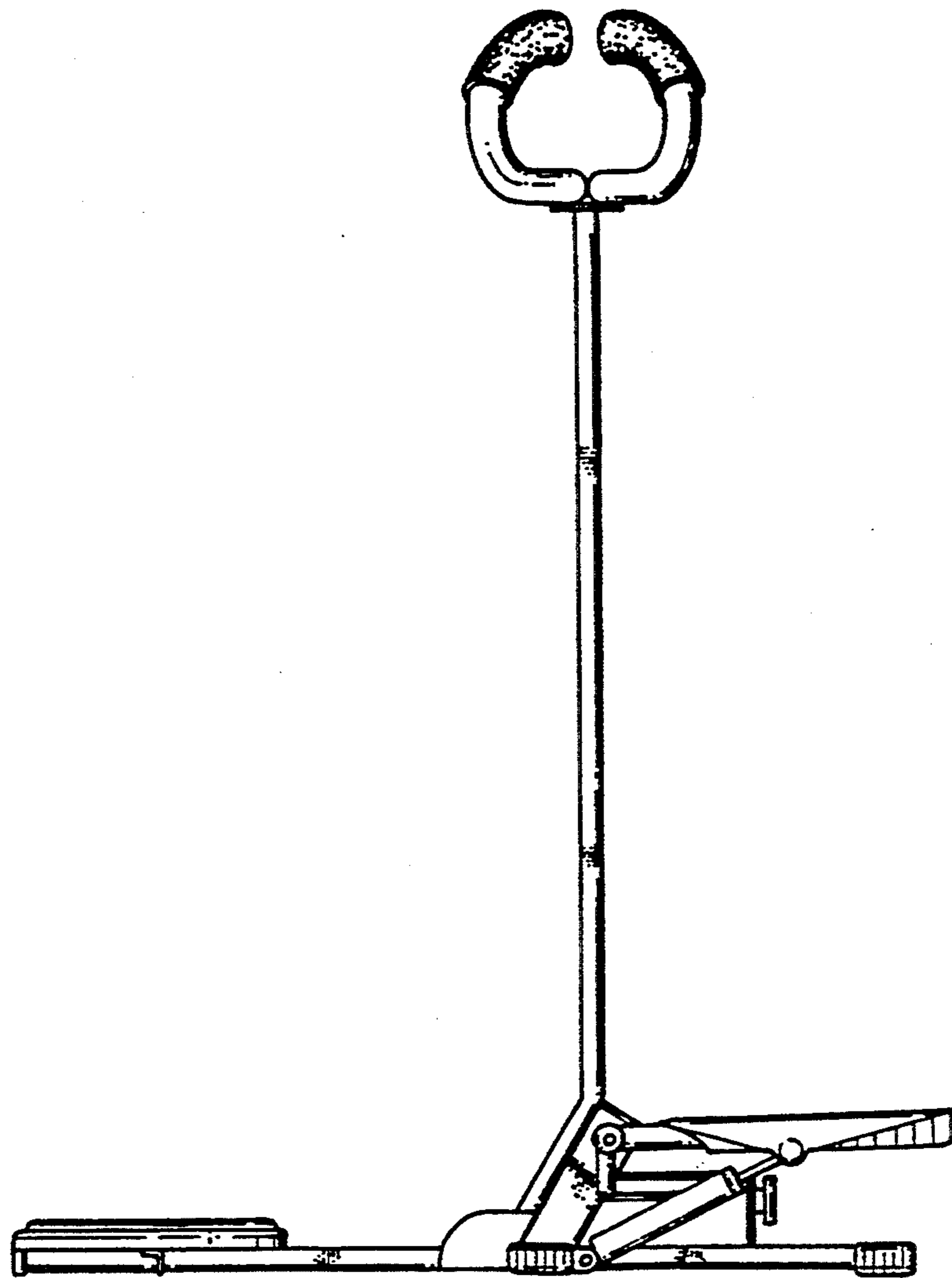


FIG. 5

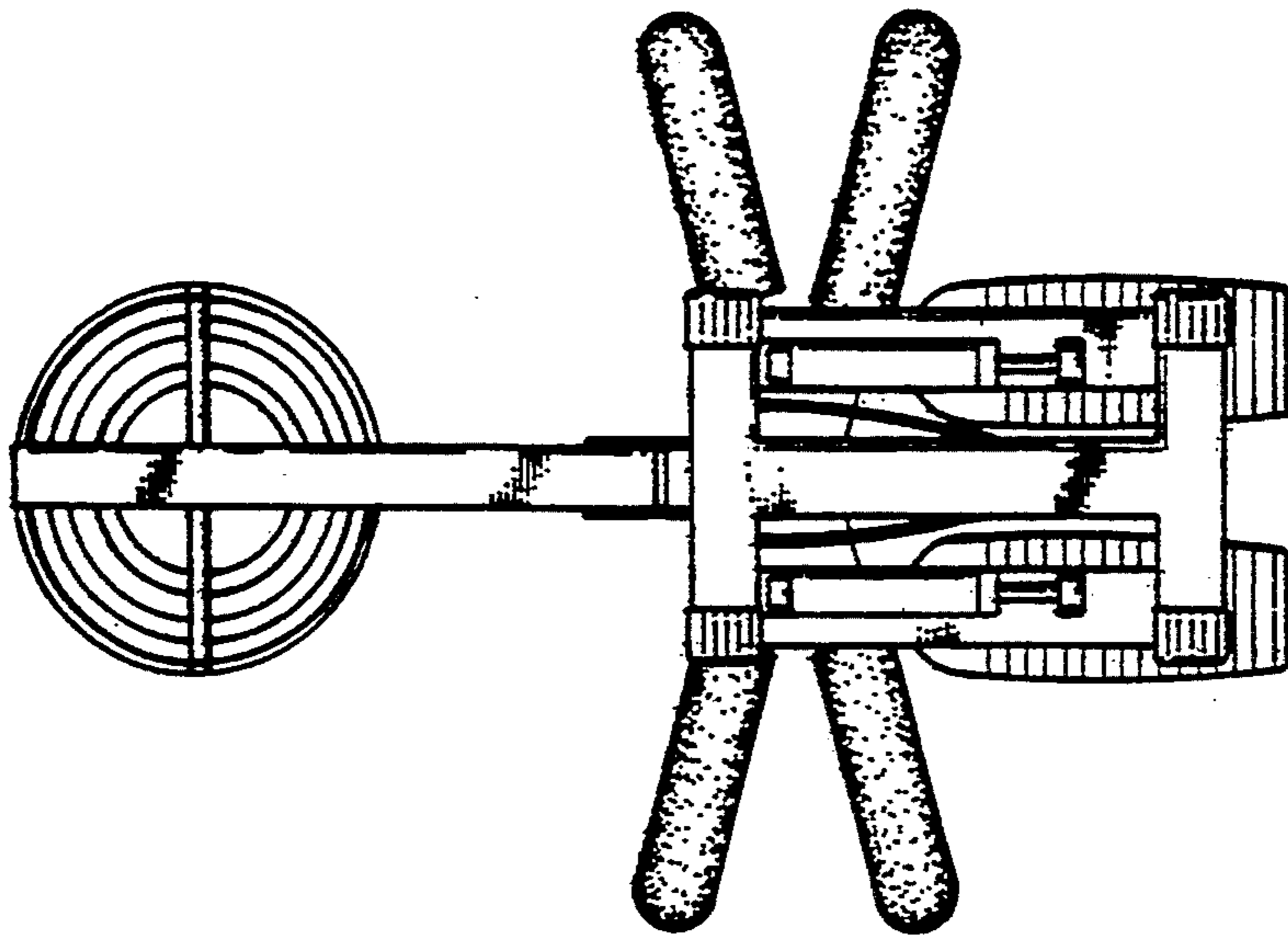


FIG. 7

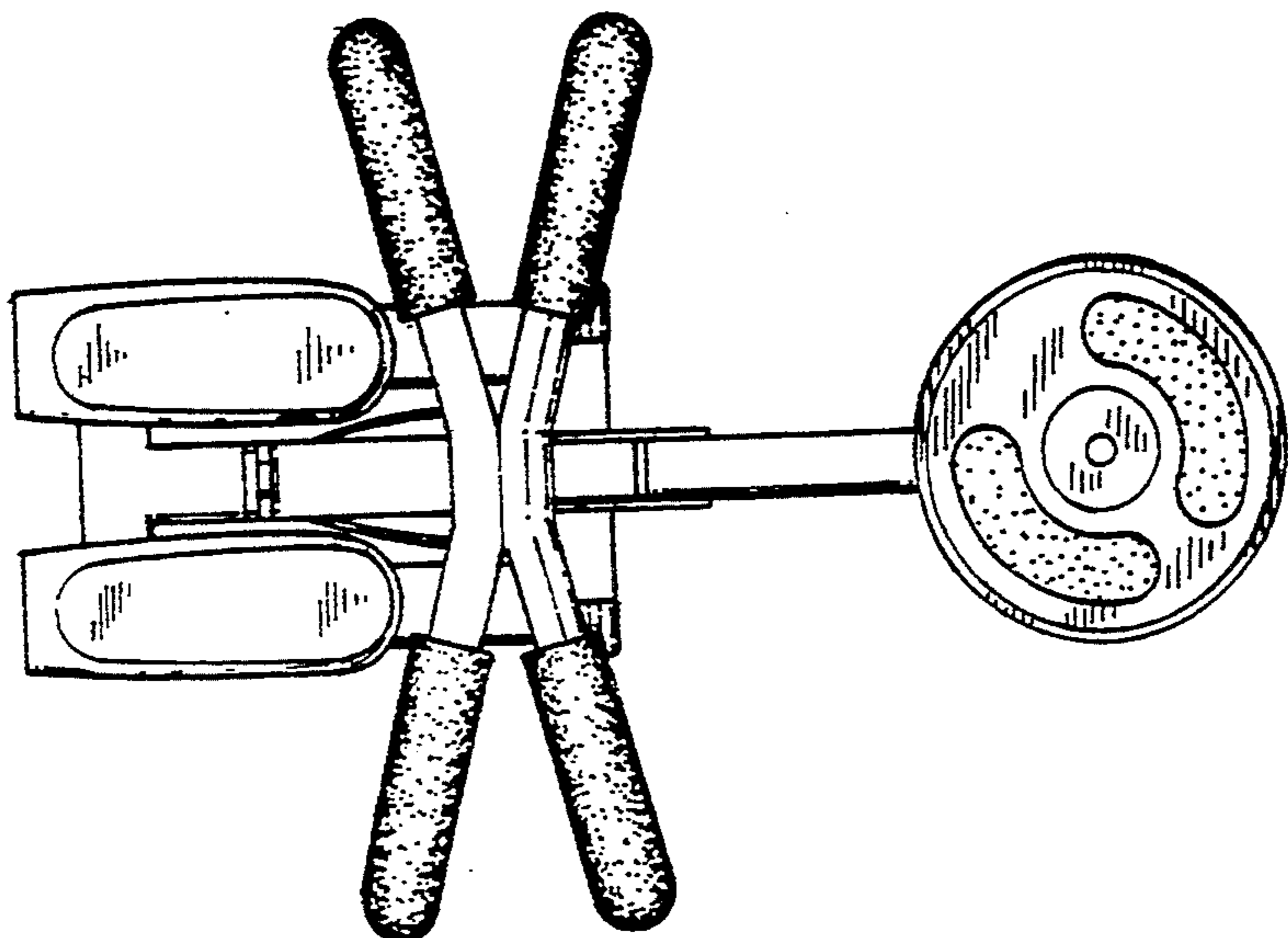


FIG. 6