



US00D358181S

United States Patent [19]

[11] Patent Number: **Des. 358,181**

Smith

[45] Date of Patent: **** May 9, 1995**

[54] **MULTI-PIECE FRAME FOR PHYSICAL THERAPY**

D. 333,687	3/1993	Smith	D21/191
4,264,069	4/1981	Carestio et al.	482/148
4,895,543	1/1990	Vermette	482/148 X

[76] Inventor: **David C. Smith**, 3717 Barrington Bridge Pl., Richmond, Va. 23233

Primary Examiner—A. Hugo Word
Assistant Examiner—I. Simmons
Attorney, Agent, or Firm—Tilton, Fallon, Lungmus

[**] Term: **14 Years**

[21] Appl. No.: **732,709**

[57] **CLAIM**

[22] Filed: **Jul. 19, 1991**

The ornamental design for a multi-piece frame for physical therapy, as shown and described.

[52] U.S. Cl. **D21/191; D24/188**

[58] Field of Search **D24/188; D21/191; 128/745, 782; 482/142, 148, 92, 94, 141, 95, 96**

DESCRIPTION

[56] **References Cited**

U.S. PATENT DOCUMENTS

D. 301,267	5/1989	Lane	D21/191
D. 306,467	3/1990	Smith	D21/191

FIG. 1 is a perspective view of a multi-piece frame for physical therapy;
FIG. 2 is an end elevational view thereof, the opposite end elevational view being identical thereto; and,
FIG. 3 is a side elevational view thereof, with all other side elevational views being identical thereto.

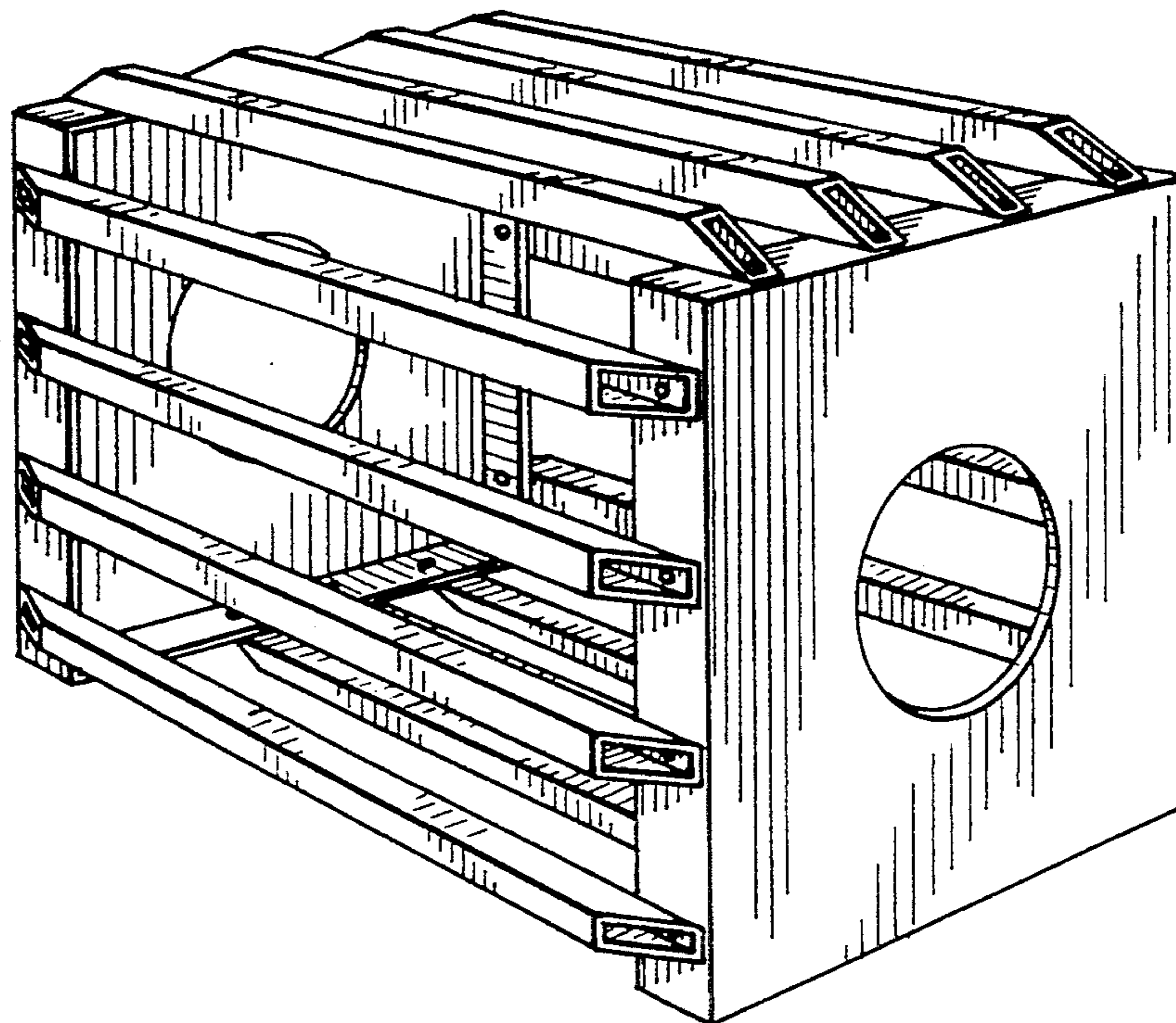


Fig. 1

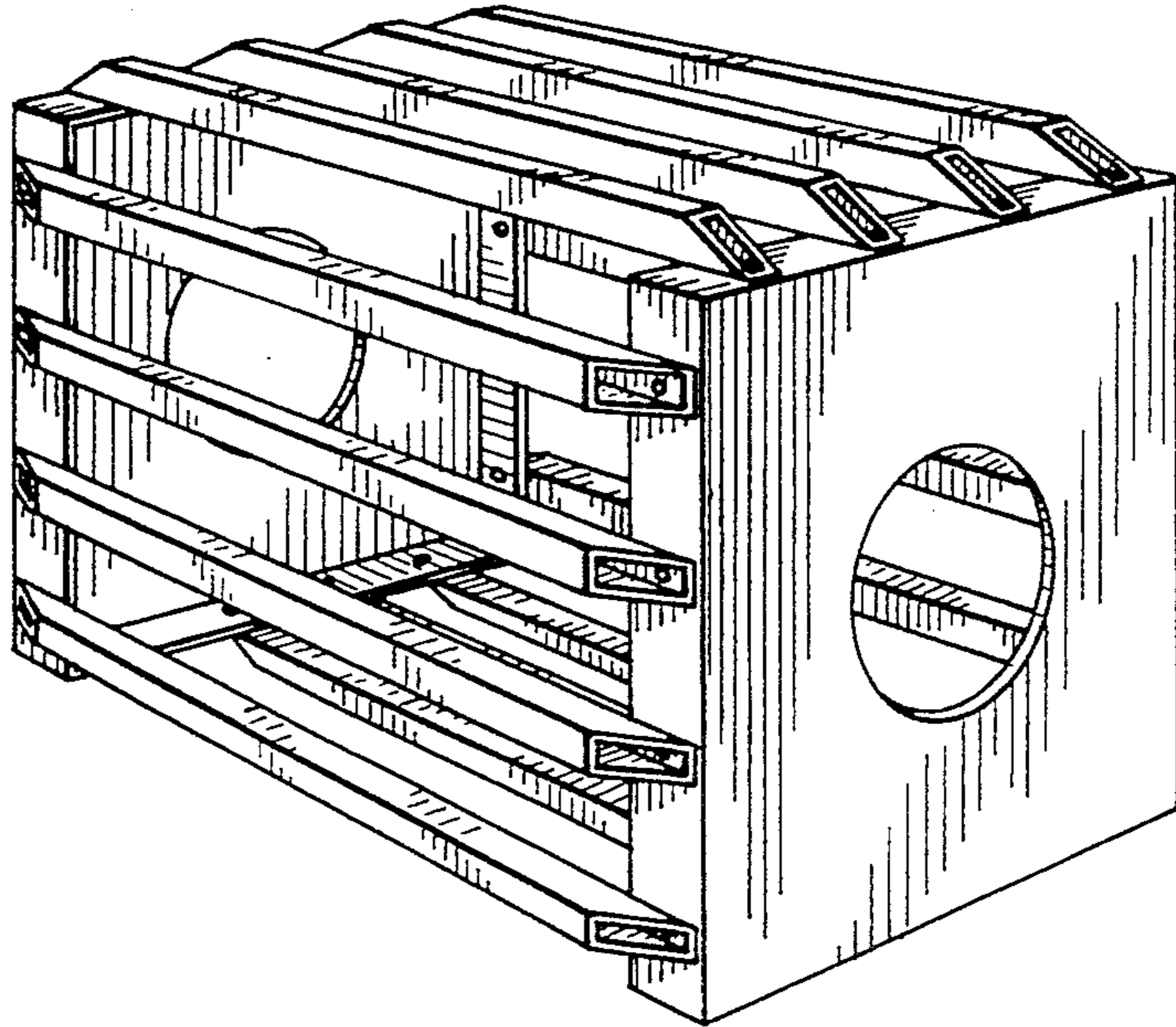


Fig. 2

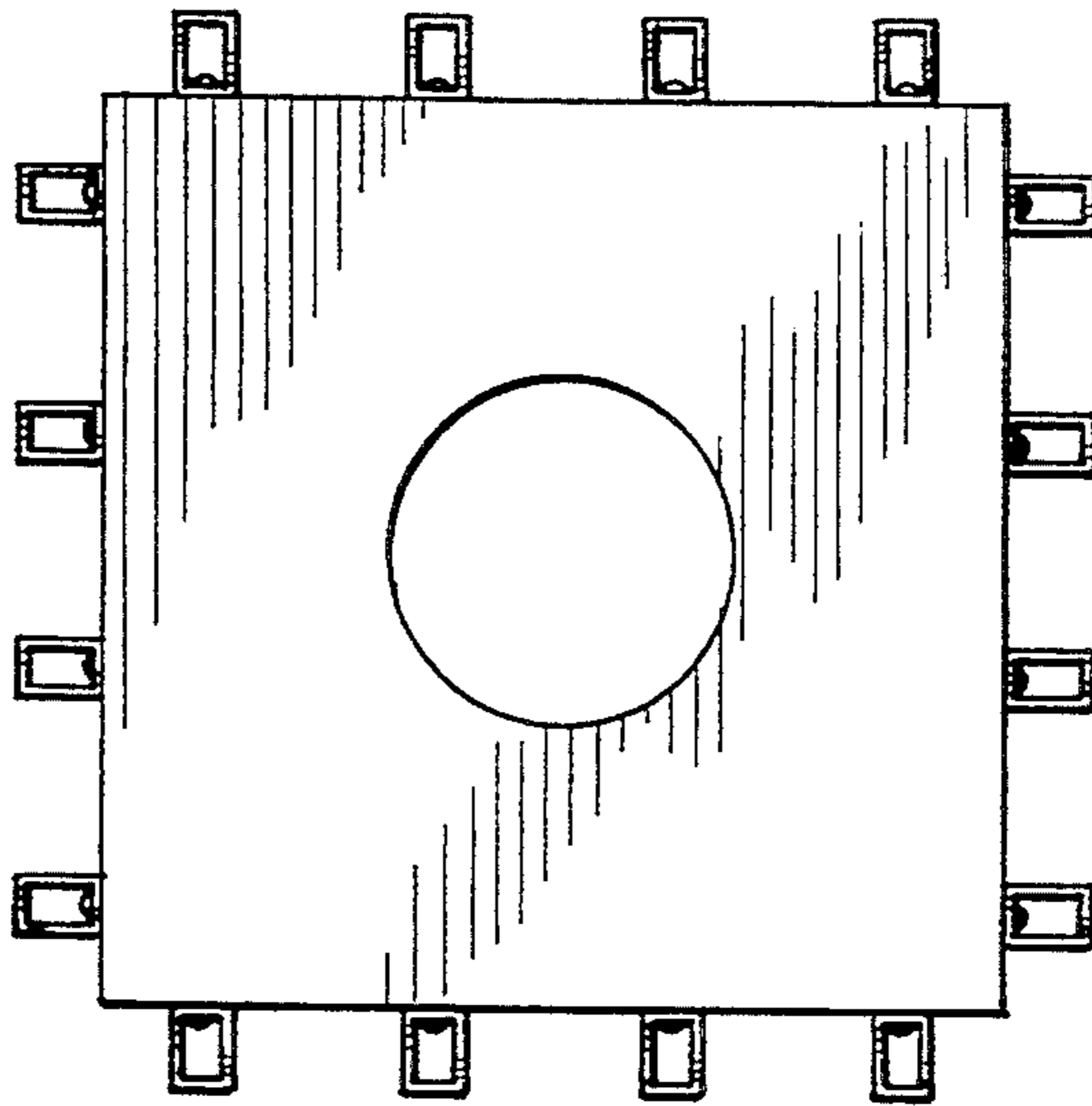


Fig. 3

