



US00D358178S

# United States Patent [19]

[11] Patent Number: **Des. 358,178**

O'Dell

[45] Date of Patent: **\*\* May 9, 1995**

[54] **PISTOL-GRIPPED MAGNETIC WAND FOR BINGO CHIPS**

2,051,564	8/1936	Marra	.....	D21/146
2,756,737	7/1956	Resch, Jr.	.....	124/71
3,385,279	5/1968	Pitcher	.	
4,830,617	5/1989	Hancox	.....	273/311
4,865,575	9/1989	Rosenthal	.....	446/219
5,256,099	10/1993	Rudell	.....	446/473

[76] Inventor: **Gary O'Dell**, P.O. Box 38, Rutland, Ohio 45775

[\*\*] Term: **14 Years**

*Primary Examiner*—Terry A. Wallace  
*Assistant Examiner*—R. Barkai  
*Attorney, Agent, or Firm*—Kevin A. Sembrat

[21] Appl. No.: **10,745**

[22] Filed: **Jul. 6, 1993**

[52] U.S. Cl. .... **D21/145; D21/48**

[58] Field of Search ..... D21/145-147, D21/236-237, 13, 48; D22/101, 103-104, 107-108; D23/222, 224-225; 446/180, 219, 430, 267, 473, 475; 124/25, 56, 71, 81, 83; 273/310-311, 313, 316, 349; 42/54; 362/110-114; 222/78-79

[57] **CLAIM**

The ornamental design for a pistol-gripped magnetic wand for bingo chips, as shown and described.

[56] **References Cited**

**U.S. PATENT DOCUMENTS**

D. 199,029	9/1964	Ryan	.....	D21/146
D. 282,764	2/1986	Megargee	.....	D21/146
449,781	4/1891	Murray	.....	42/54
1,924,957	8/1933	Orr	.....	D21/145

**DESCRIPTION**

FIG. 1 is a perspective view of the pistol-gripped magnetic wand for bingo chips showing my new design; FIG. 2 is a side elevational view thereof; FIG. 3 is a side cross-sectional view thereof, taken along the line 3-3 in FIG. 4; FIG. 4 is a front elevational view thereof; FIG. 5 is a rear elevational view thereof; FIG. 6 is a top plan view thereof; and, FIG. 7 is a bottom plan view thereof.

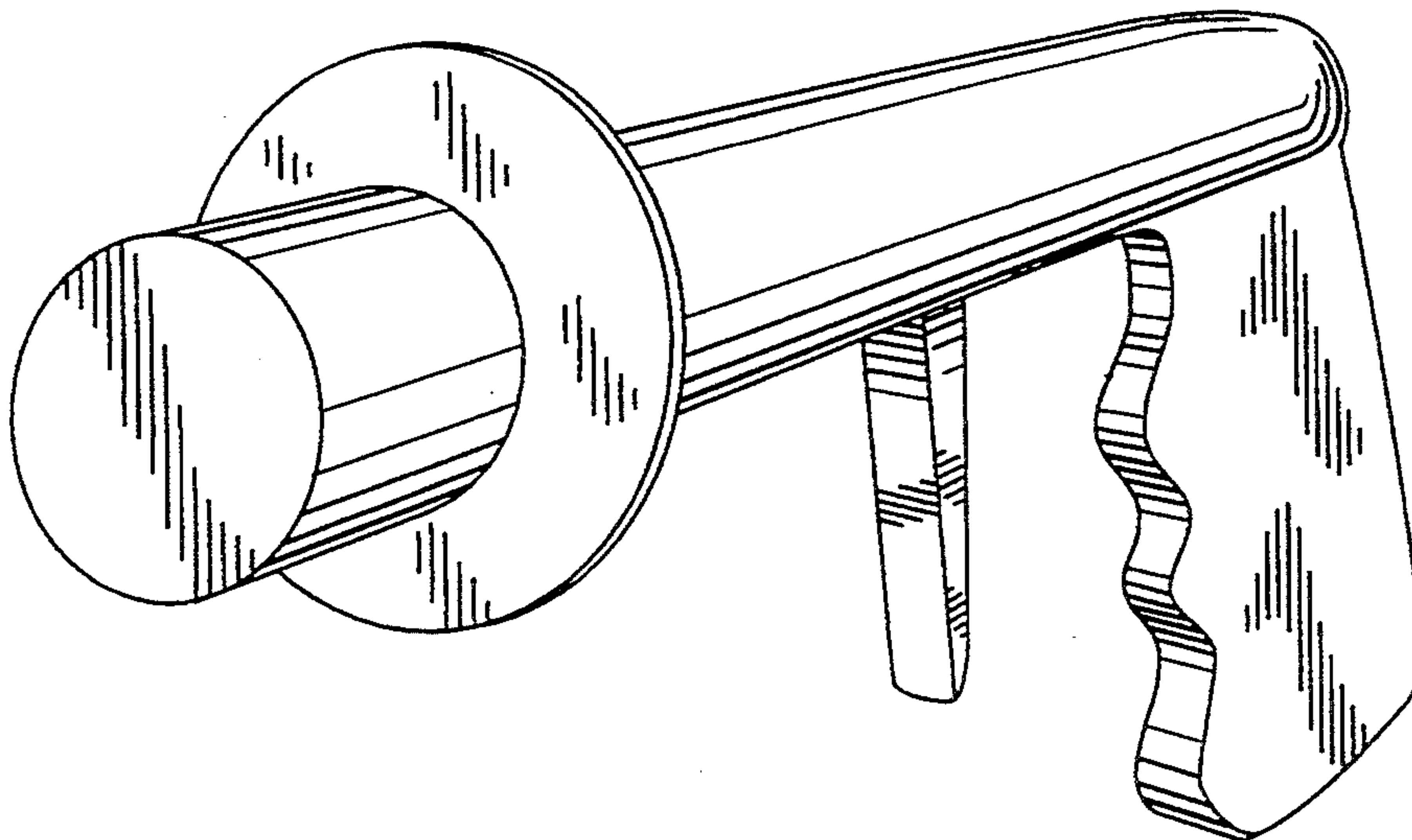


Fig.1

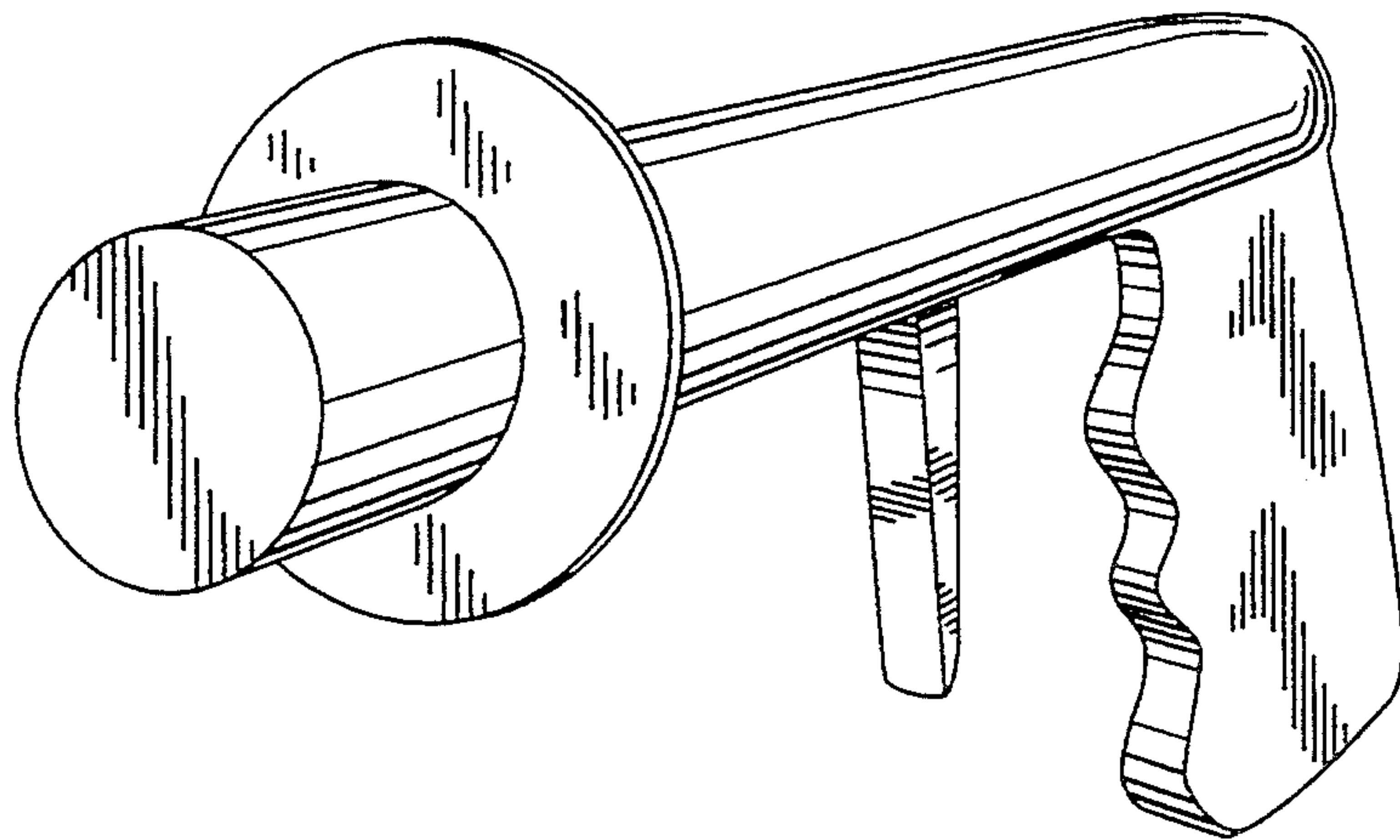


Fig.2

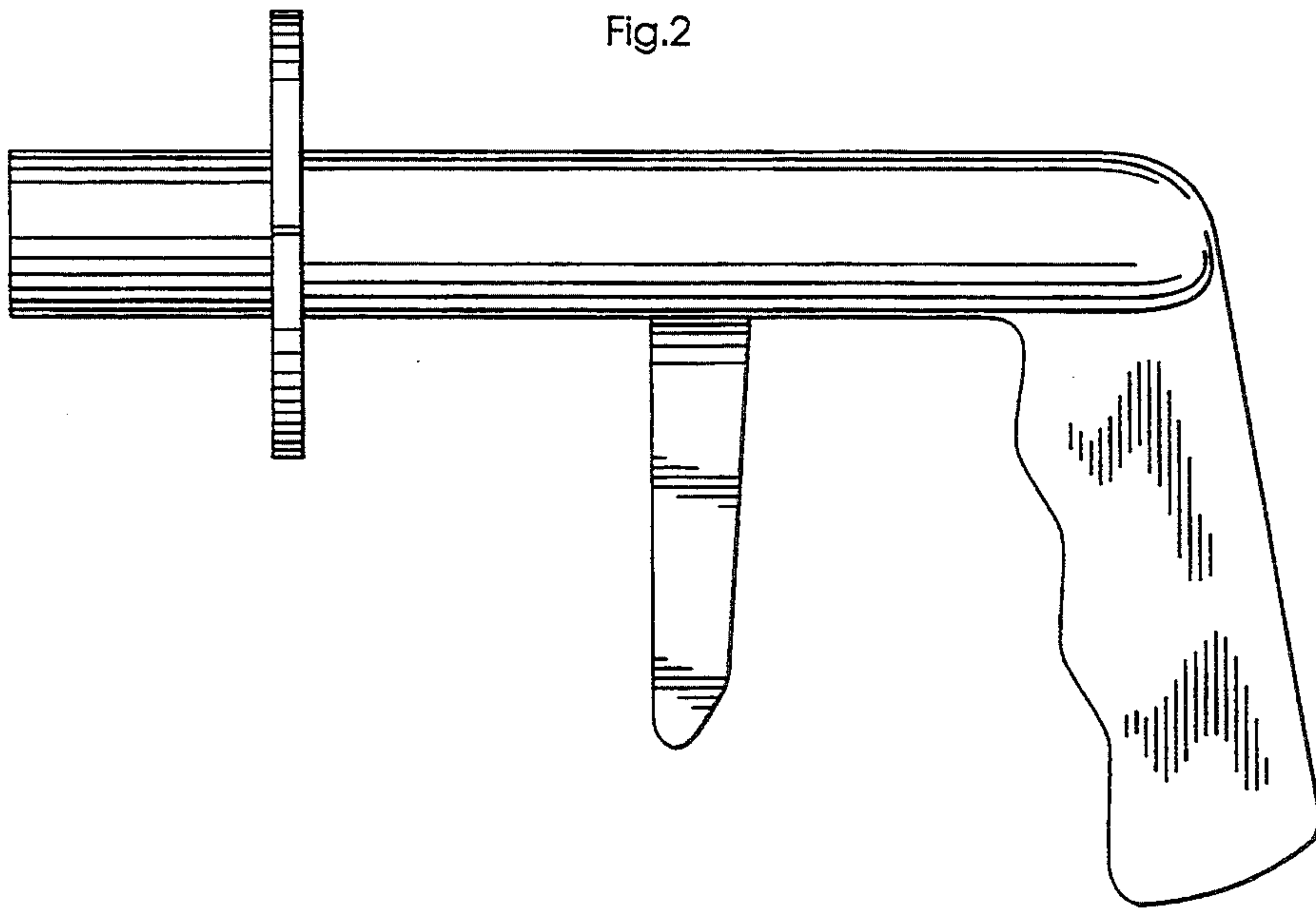


Fig.3

