



US00D358177S

United States Patent [19]

[11] Patent Number: **Des. 358,177**

Imai et al.

[45] Date of Patent: **** May 9, 1995**

[54] **DISPLAY PANEL**

[75] Inventors: **Toshitaka Imai, Sagamihara, Japan;**
Karen M. MacMurtrie, Austin, Tex.;
Robert E. Mora, Columbus, Ohio

[73] Assignee: **International Business Machines Corporation, Armonk, N.Y.**

[**] Term: **14 Years**

[21] Appl. No.: **26,287**

[22] Filed: **Jun. 17, 1994**

[52] U.S. Cl. **D20/42; D28/64.1**

[58] Field of Search **D6/300, 301, 302, 303,**
D6/304, 305, 306, 307, 308, 309, 310;
D28/64.1; D20/10, 39, 40, 41, 42; 40/1, 124,
124.1, 124.2, 152, 152.1, 540, 541, 542, 584, 517,
624

[56] **References Cited**

U.S. PATENT DOCUMENTS

D. 110,921 8/1938 Fein D28/64.1
D. 221,719 8/1971 Hoskins D20/42
D. 221,720 8/1971 Hoskins D20/42

D. 267,983 2/1983 Cheung D28/64.1
D. 270,061 8/1983 Ackeret D6/308
D. 280,745 9/1985 Cobb D20/42
D. 284,588 7/1986 Silver D20/42
D. 298,489 11/1988 Sornborger D6/300
D. 340,080 10/1993 Sheilds D20/42

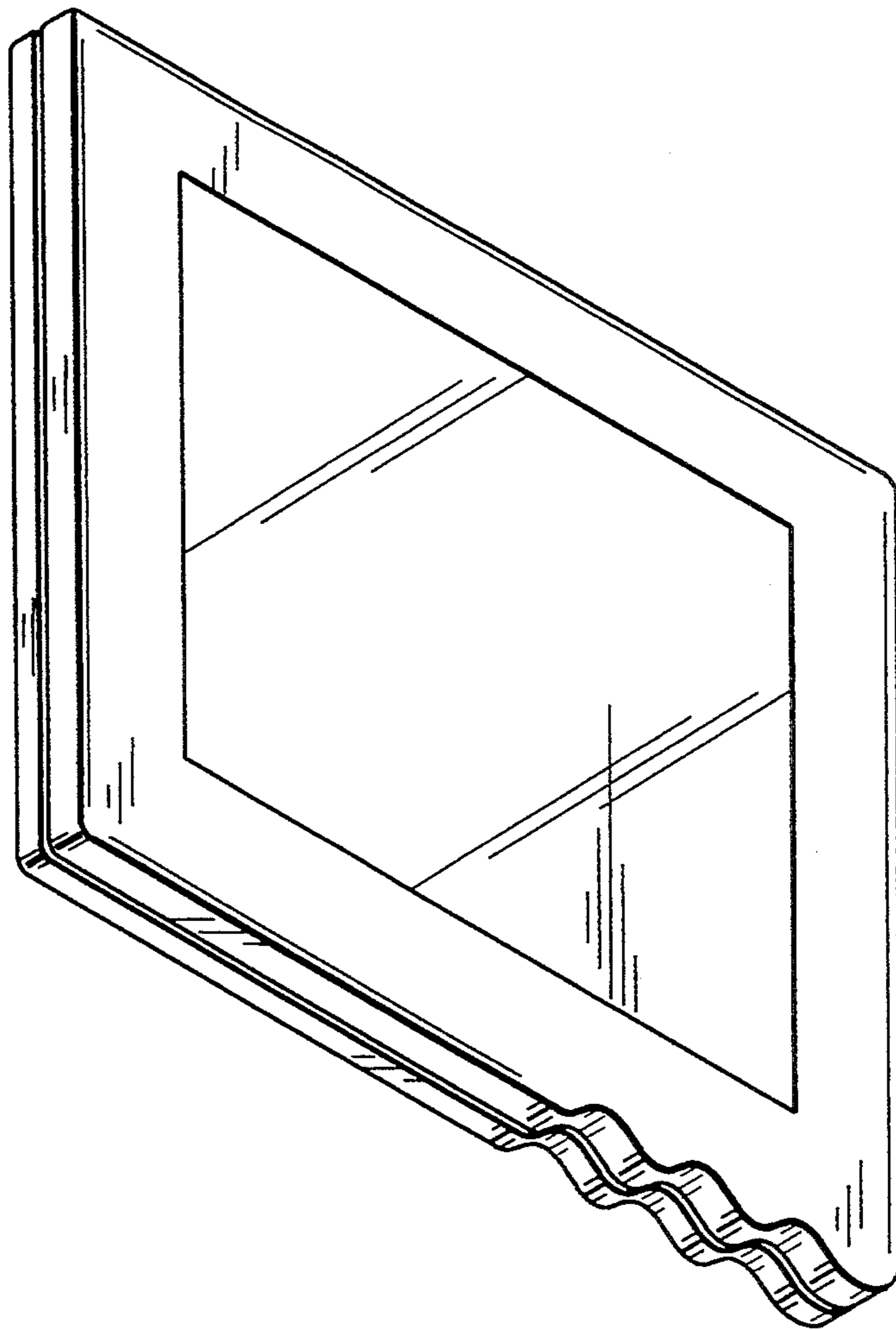
Primary Examiner—James M. Gandy
Assistant Examiner—Marcus Jackson
Attorney, Agent, or Firm—Paul S. Drake

[57] CLAIM

The ornamental design for a display panel, as shown and described.

DESCRIPTION

FIG. 1 is a front plan view thereof;
FIG. 2 is a top plan view thereof;
FIG. 3 is a bottom plan view thereof;
FIG. 4 is a right side plan view thereof;
FIG. 5 is a left side plan view thereof;
FIG. 6 is a top, front, right side perspective view thereof; and,
FIG. 7 is a bottom, front, left side perspective view thereof.



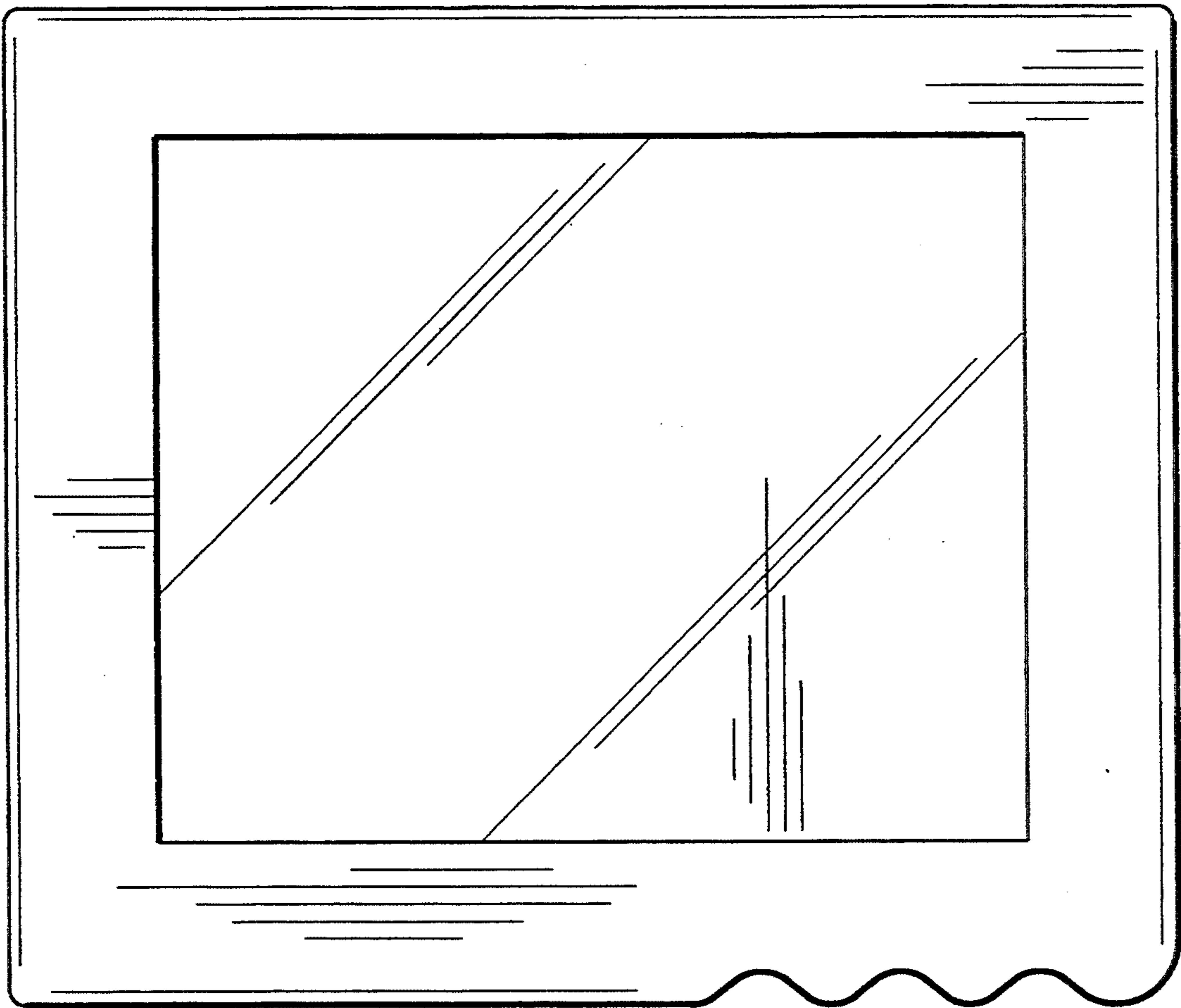


FIG. 1

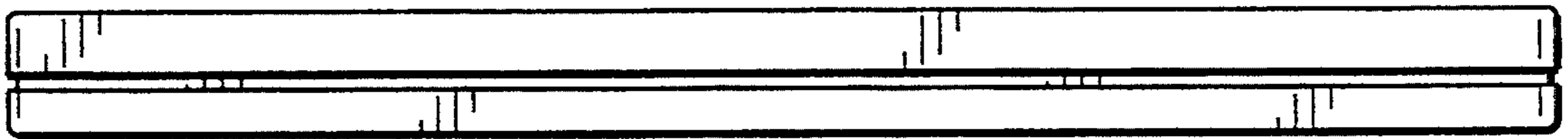


FIG. 2

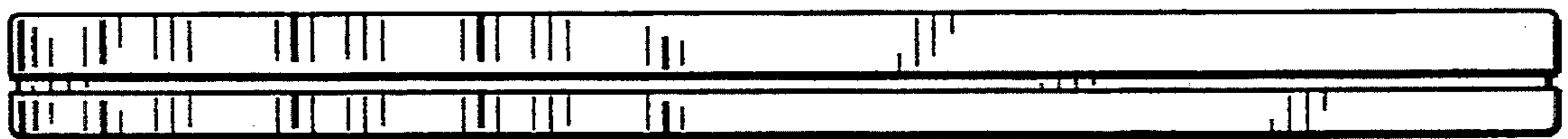


FIG. 3

FIG. 4

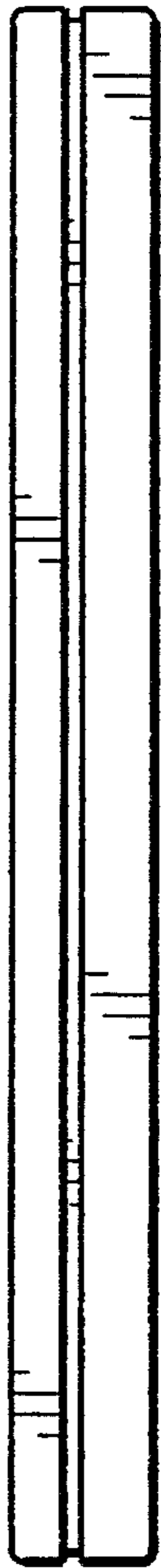


FIG. 5

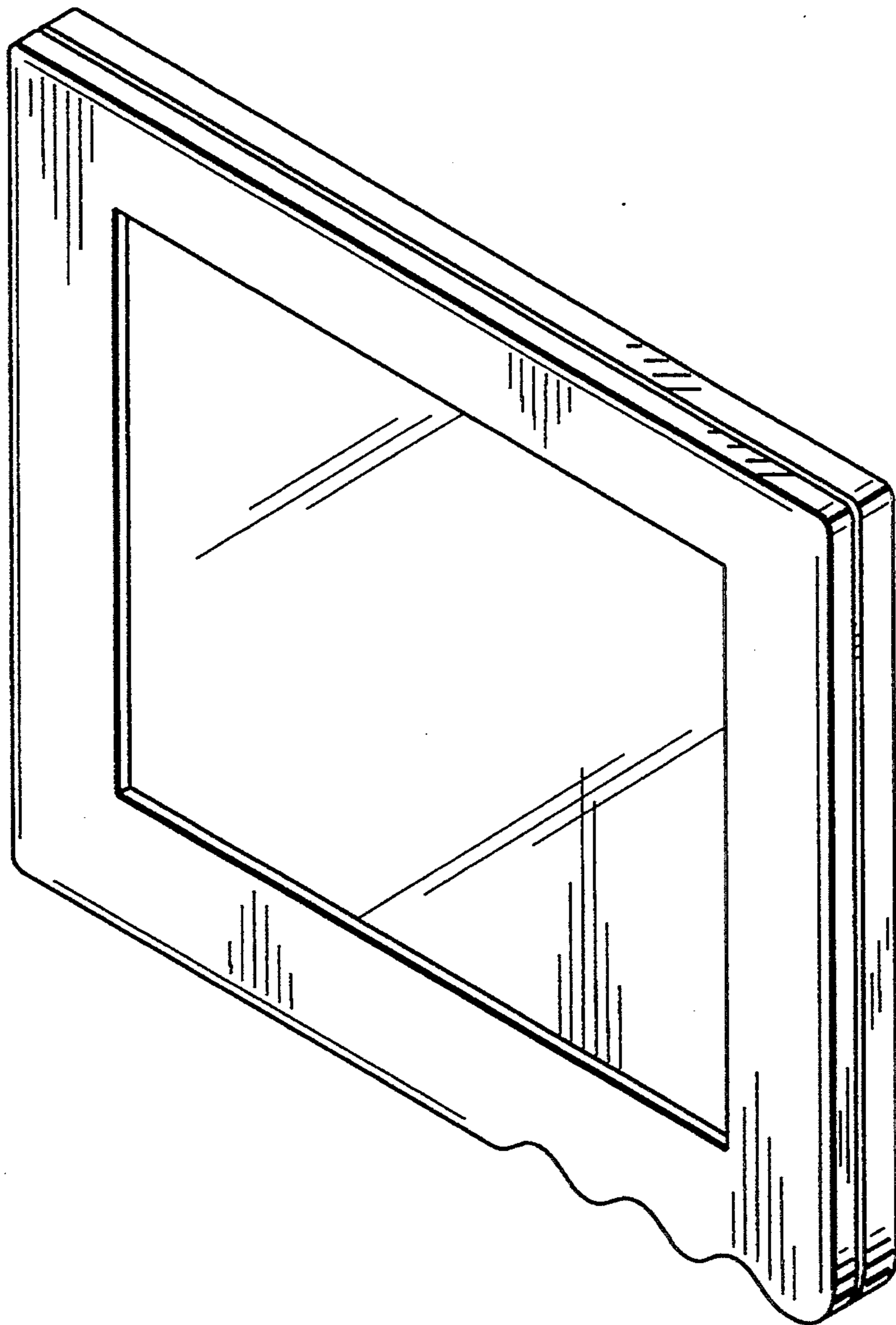


FIG. 6

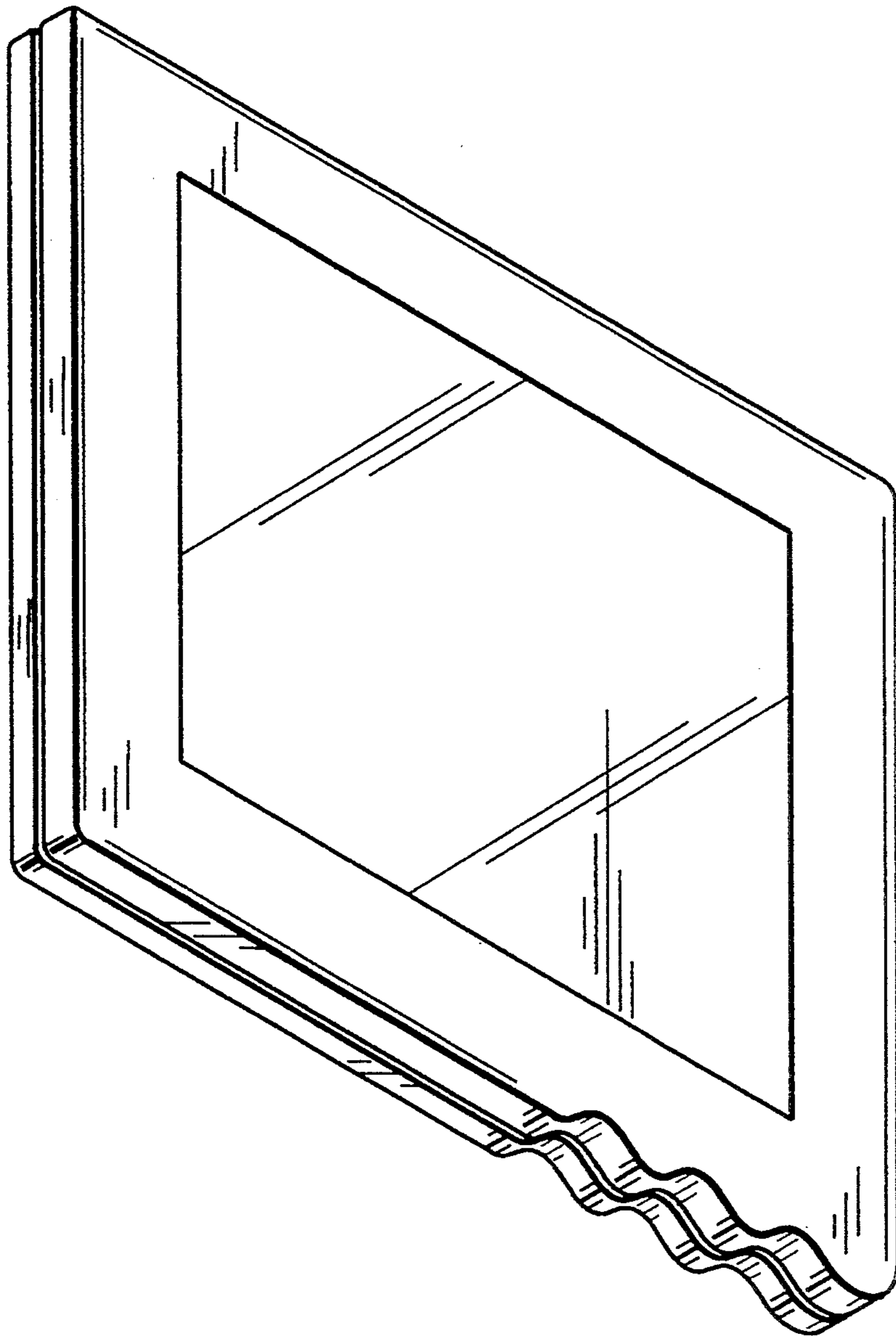


FIG. 7