



US00D358171S

United States Patent [19]

[11] Patent Number: Des. 358,171

Cheng

[45] Date of Patent: ** May 9, 1995

- [54] ELECTRONIC EDUCATIONAL GAME HOUSING
- [75] Inventor: Wai Y. Cheng, Shatin, Hong Kong
- [73] Assignee: Video Industries, Inc., Wheeling, Ill.
- [**] Term: 14 Years
- [21] Appl. No.: 1,414
- [22] Filed: Nov. 13, 1992
- [52] U.S. Cl. D19/60; D14/100; D21/13
- [58] Field of Search D19/59, 60, 62, 64; D14/106; D21/13; 434/322, 323, 324, 307, 308, 169

[56] **References Cited**
U.S. PATENT DOCUMENTS

| | | | |
|------------|---------|--------------------|-----------|
| D. 271,029 | 10/1983 | Nagel et al. | D19/60 |
| D. 299,472 | 1/1989 | Phinney | D19/60 |
| D. 308,510 | 6/1990 | Cheung | D21/13 |
| D. 310,071 | 8/1990 | Kit | D19/59 X |
| D. 330,048 | 10/1992 | Cheung et al. | D19/60 |
| 4,681,548 | 7/1987 | Lemelson | 434/308 X |

- OTHER PUBLICATIONS**
- 1987 Video Technology Industries, Inc. catalog, pp. 8-9.
 - 1990 Video Technology Industries, Inc. catalog, pp. 18-19.
 - 1992 Video Technology Industries, Inc. catalog, pp. 7, 11.

Primary Examiner—Brian N. Vinson
Assistant Examiner—Pamela Burgess

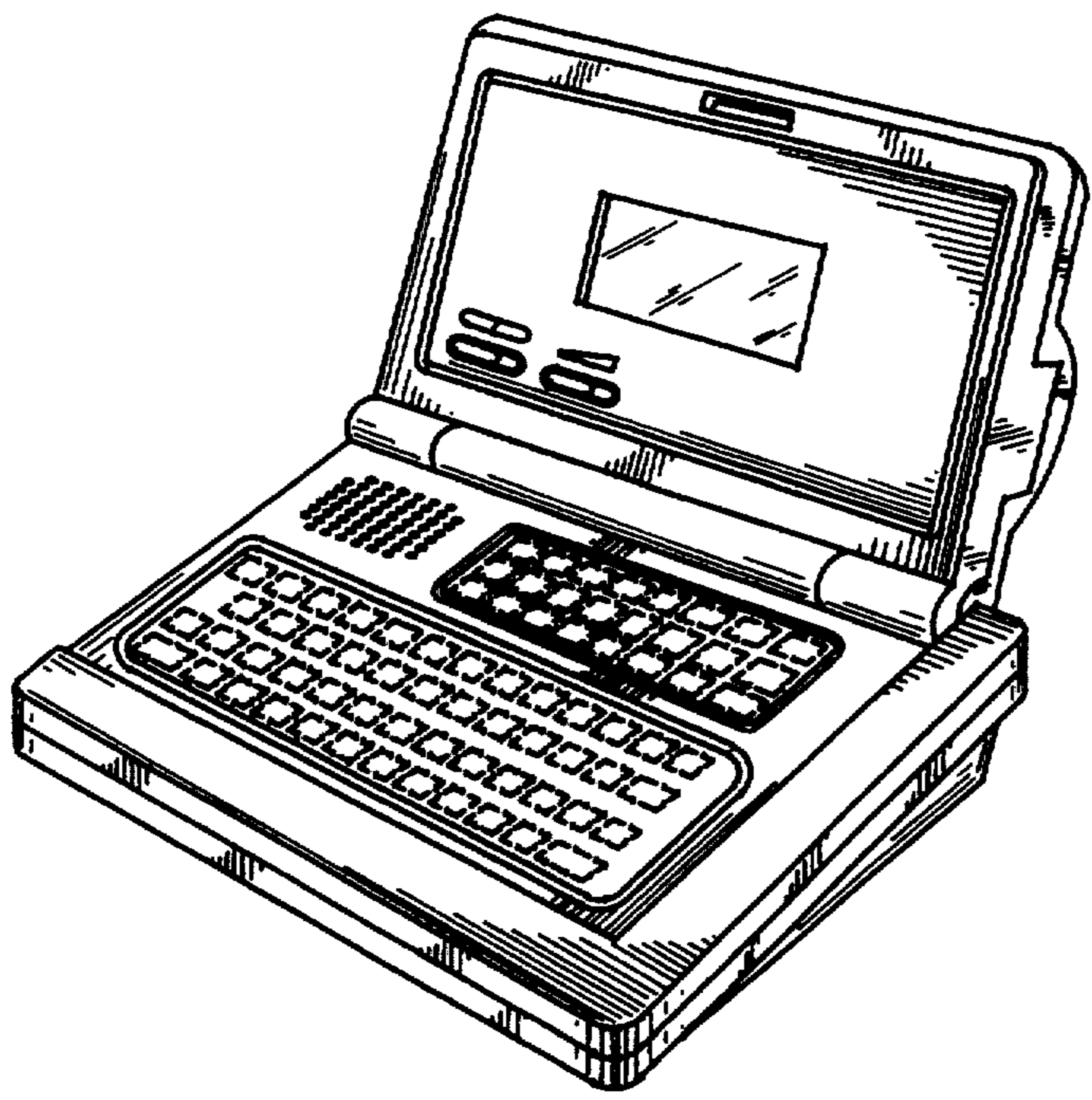
Attorney, Agent, or Firm—Dick and Harris

[57] **CLAIM**

The ornamental design for a electronic educational game housing, as shown and described.

DESCRIPTION

FIG. 1 is a front elevational view, in open configuration, of the electronic educational game housing, showing my new design;
 FIG. 2 is a front elevational view thereof, in closed configuration;
 FIG. 3 is a right elevational view thereof, in open configuration with handle retracted;
 FIG. 4 is a right elevational view thereof, in closed configuration with handle retracted;
 FIG. 5 is a left elevational view thereof, in open configuration with handle retracted;
 FIG. 6 is a left elevational view thereof, in open configuration with handle retracted;
 FIG. 7 is a rear elevational view thereof, in open configuration with handle retracted;
 FIG. 8 is a rear elevational view thereof, in closed configuration with handle retracted;
 FIG. 9 is a top plan view thereof, in open configuration;
 FIG. 10 is a top plan view thereof, in closed configuration and handle extended;
 FIG. 11 is a bottom view thereof, with handle extended;
 FIG. 12 is a reduced-size top perspective view thereof, in open configuration; and,
 FIG. 13 is a reduced-size top perspective view thereof, in a closed configuration, with the handle extended.
 The broken lines shown in FIGS. 9 and 12 are for illustrative purposes only and form no part of the claimed design.



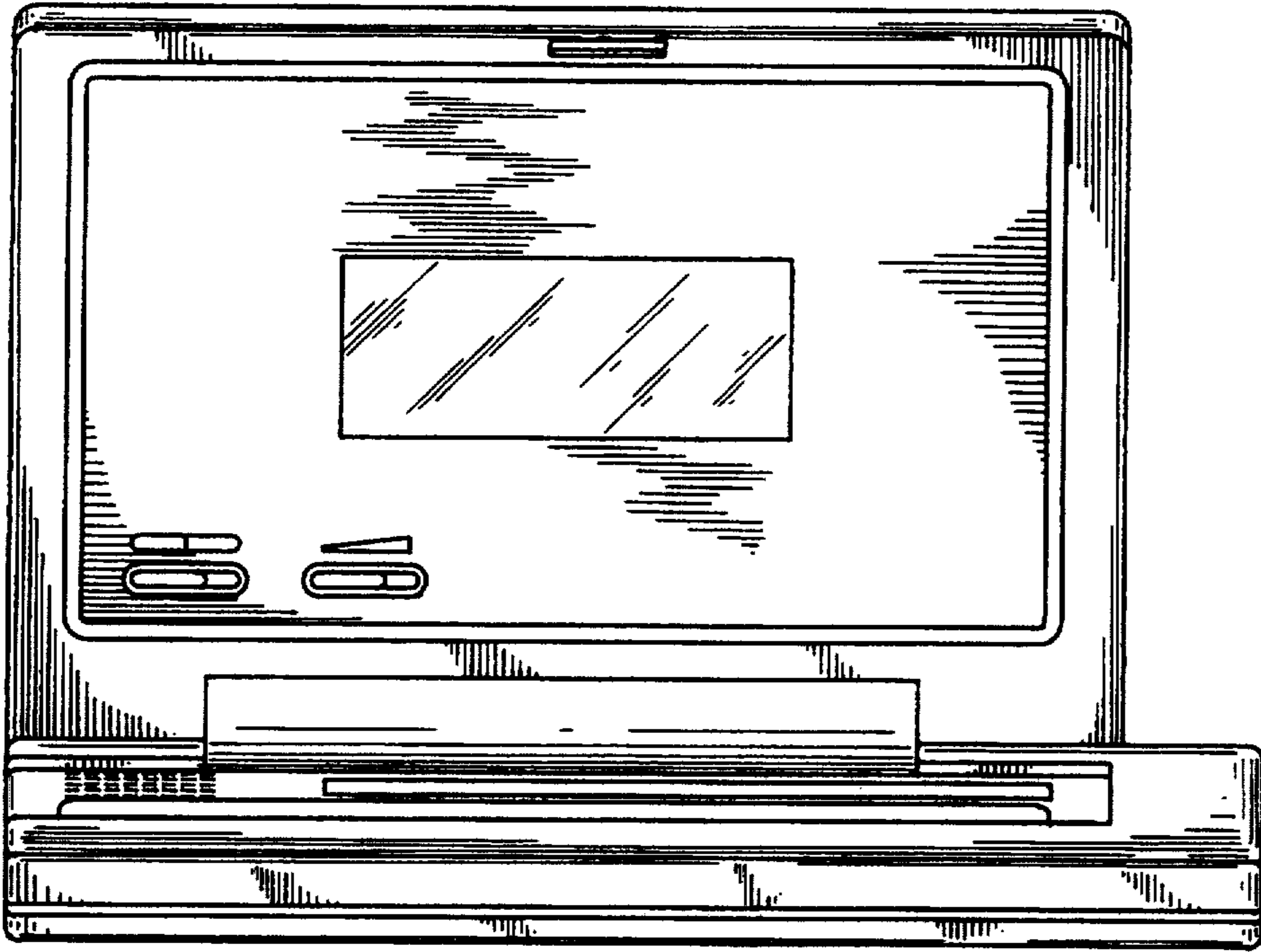


FIG. 1

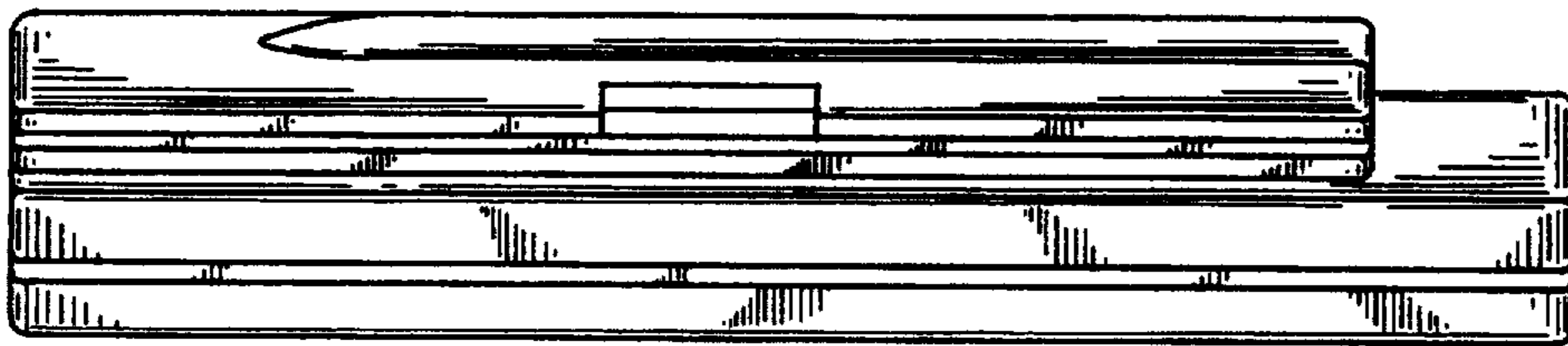


FIG. 2

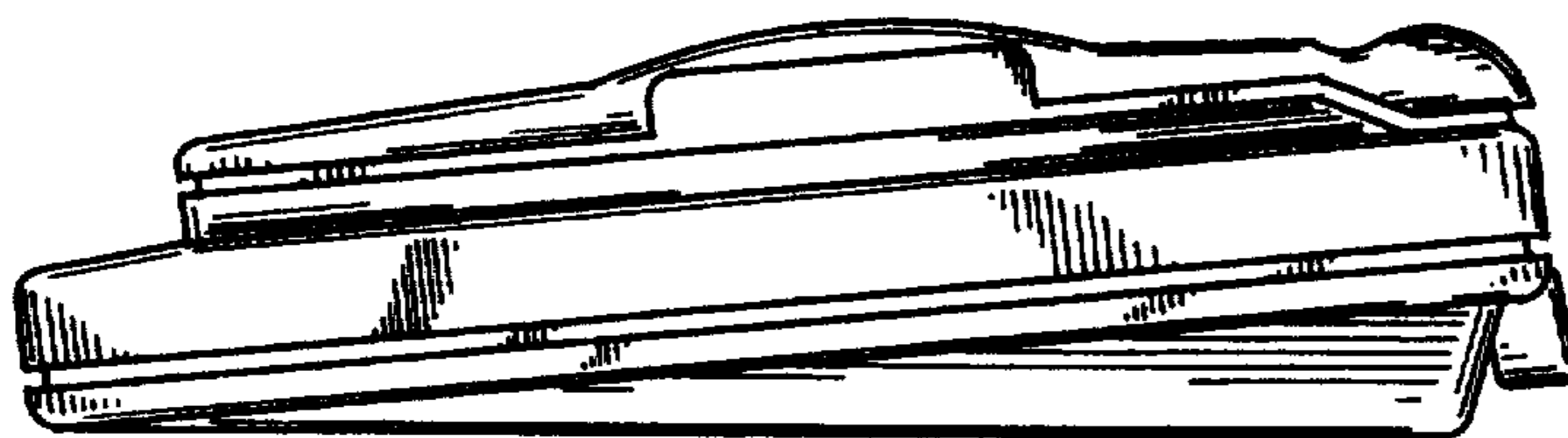


FIG. 4

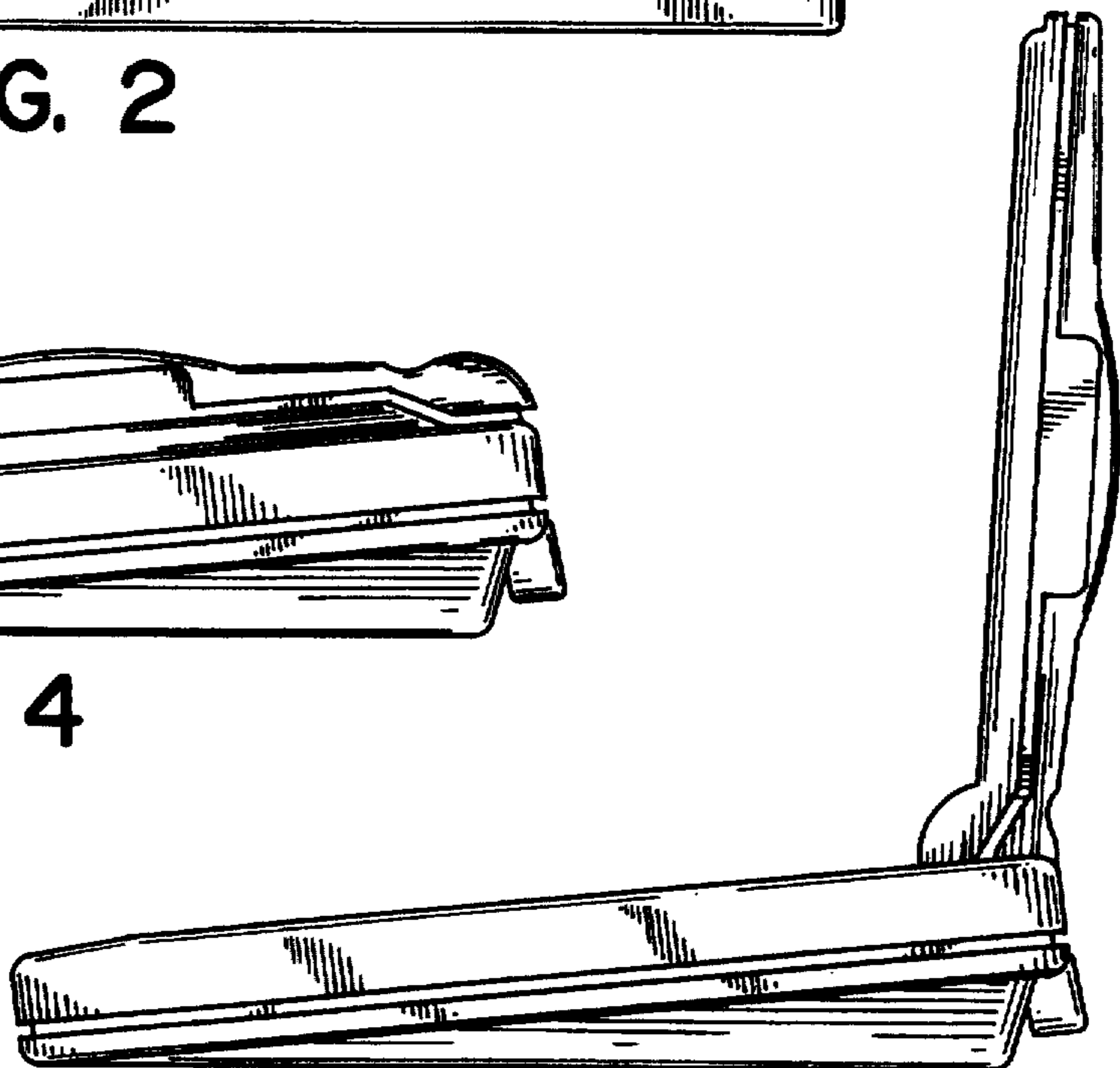


FIG. 3

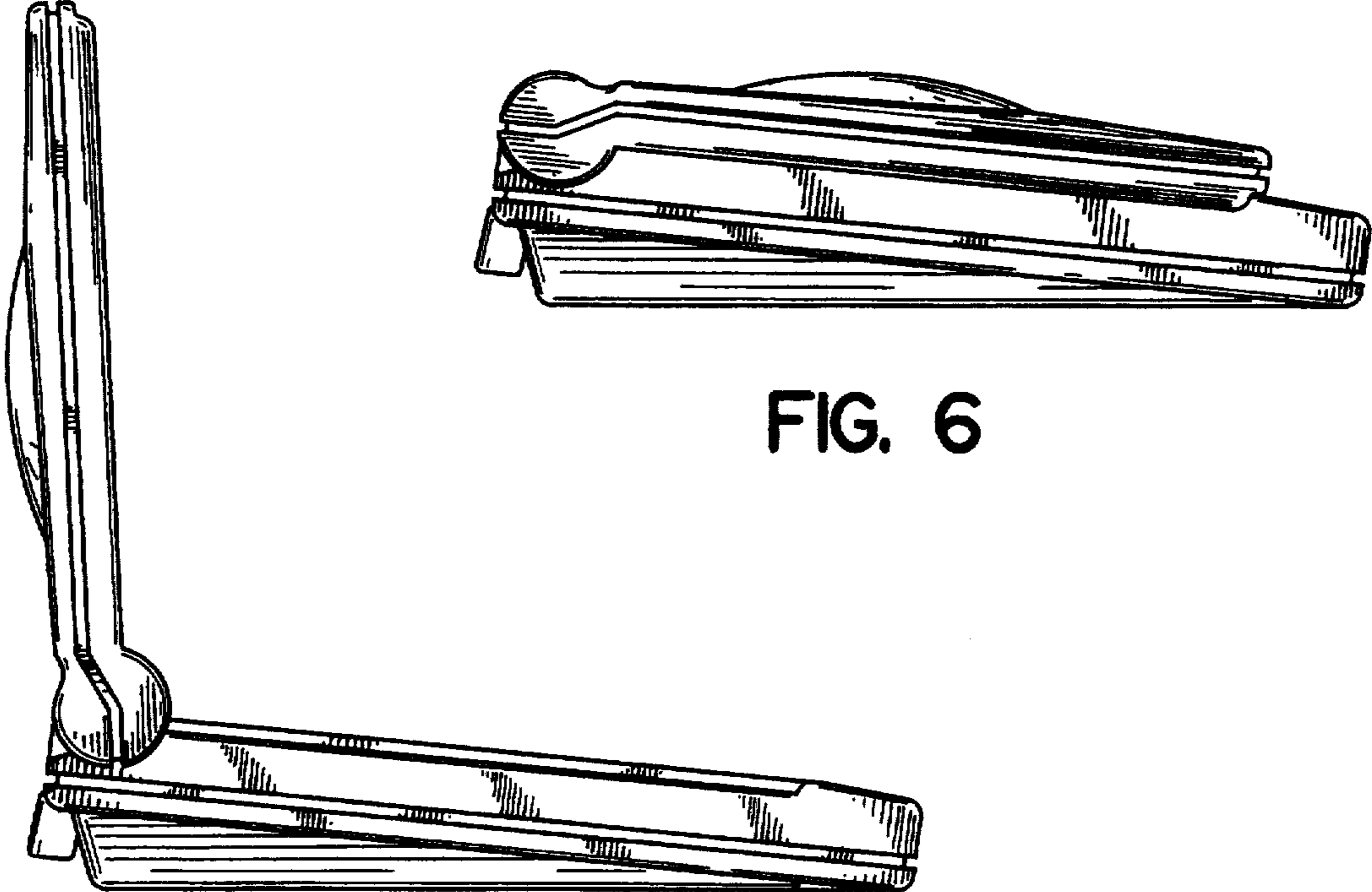


FIG. 6

FIG. 5

FIG. 7

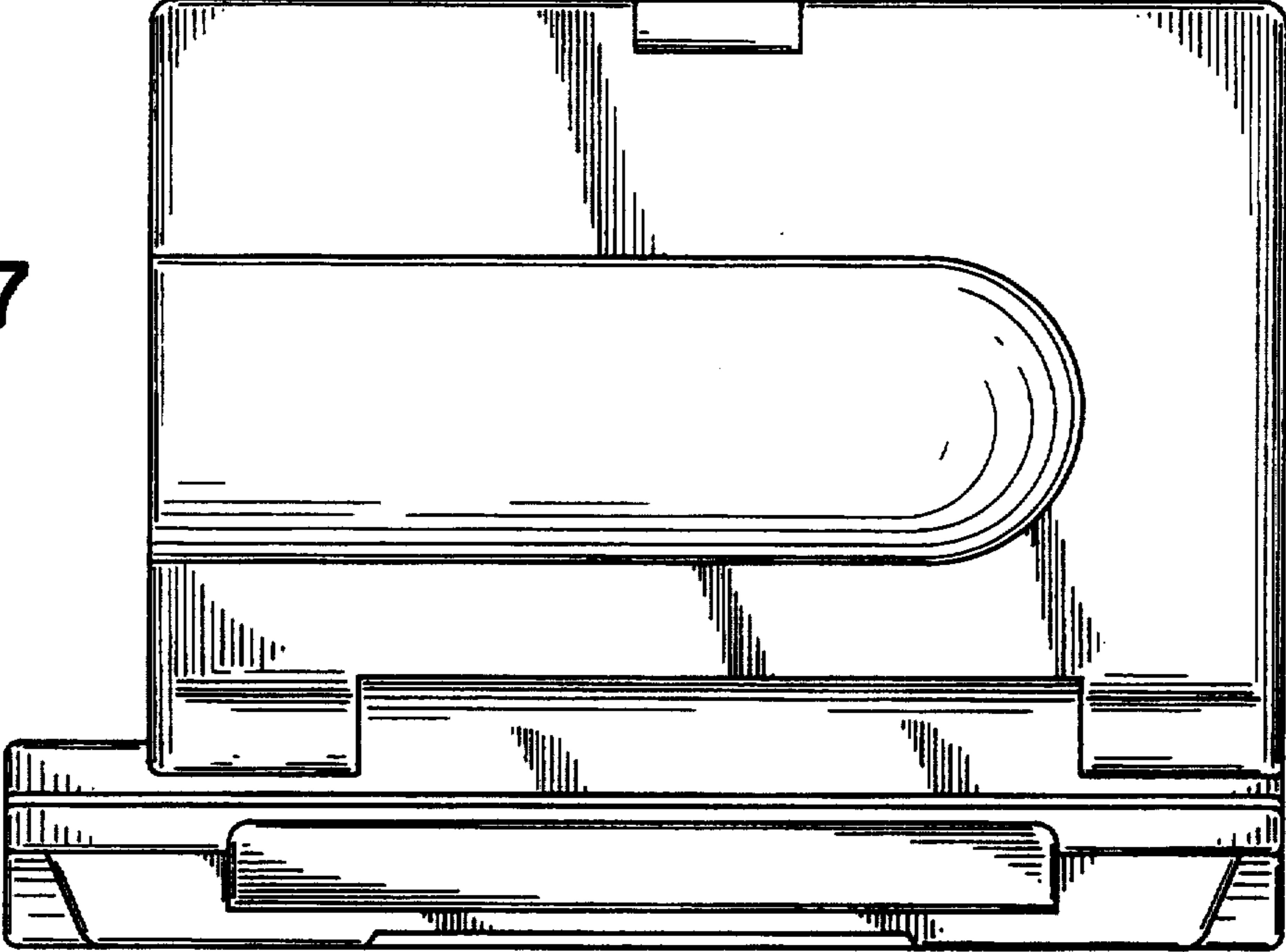
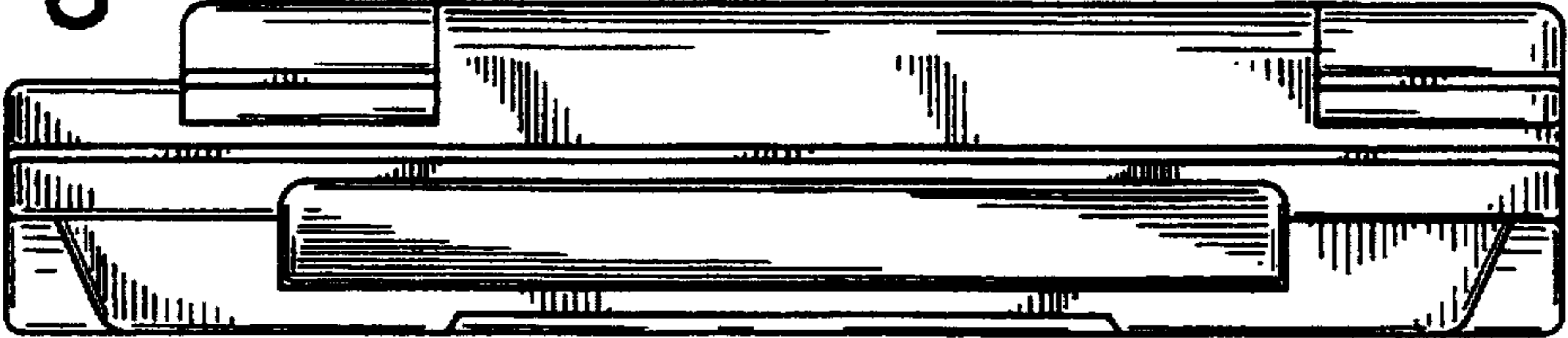


FIG. 8



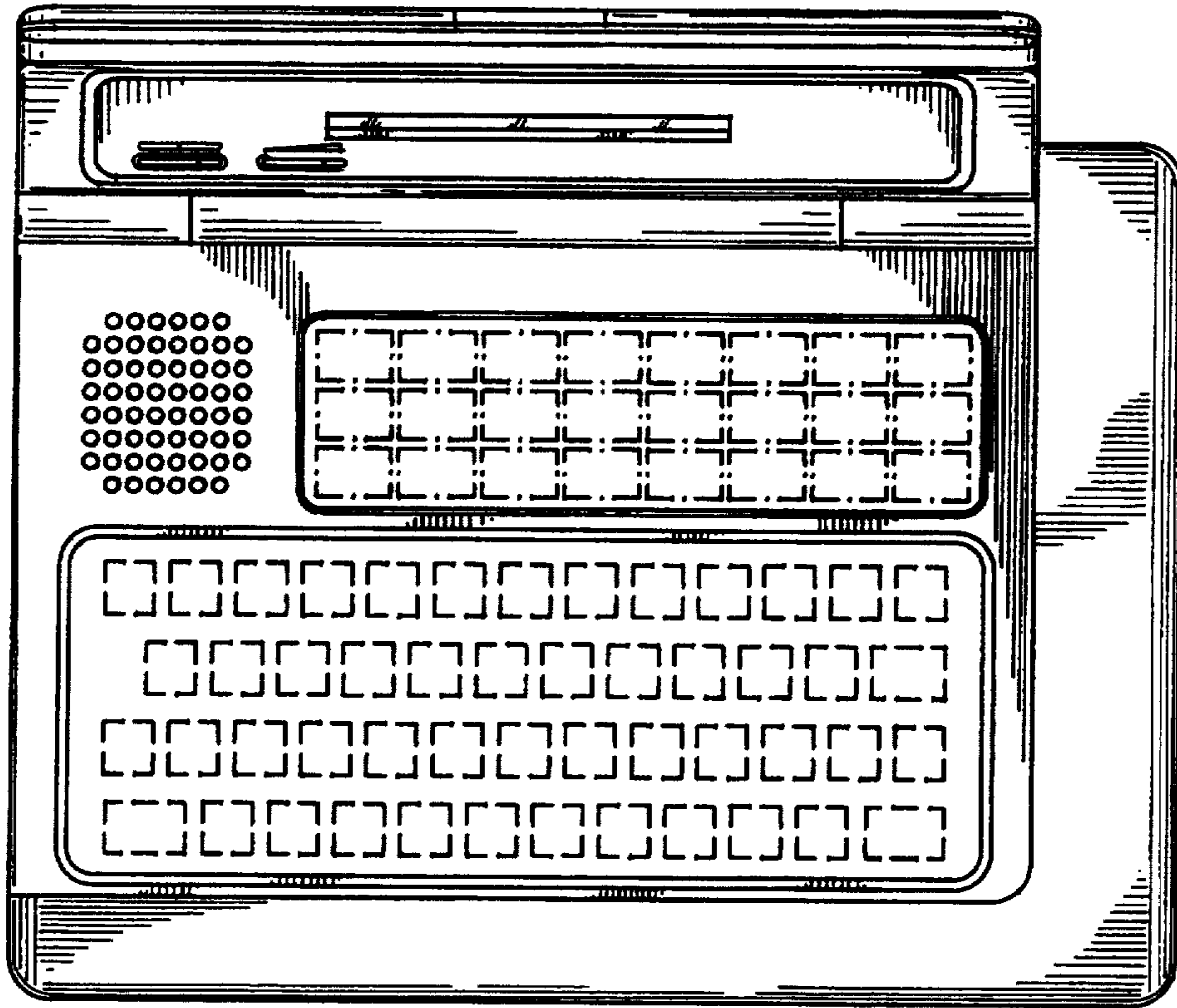


FIG. 9

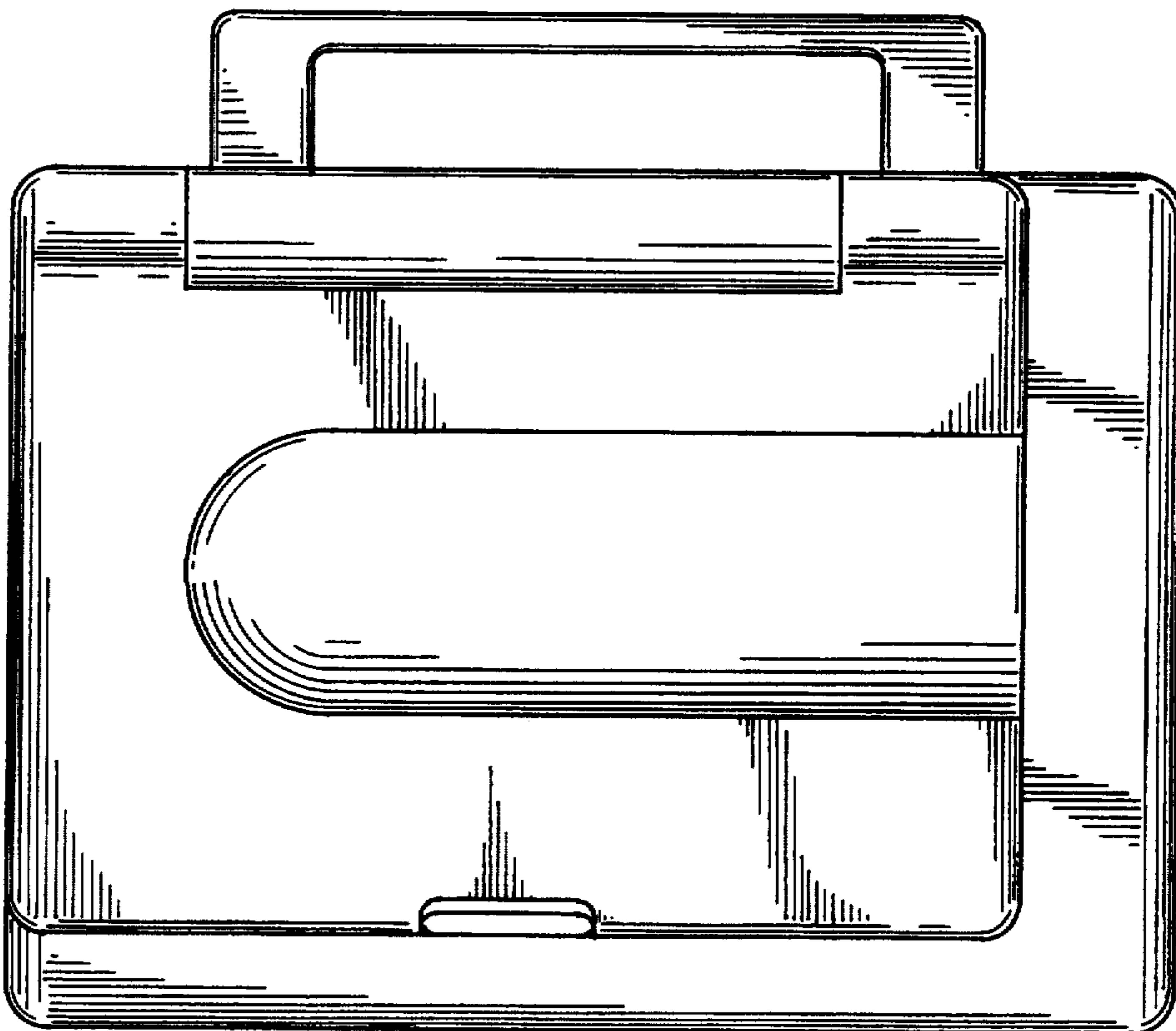


FIG. 10

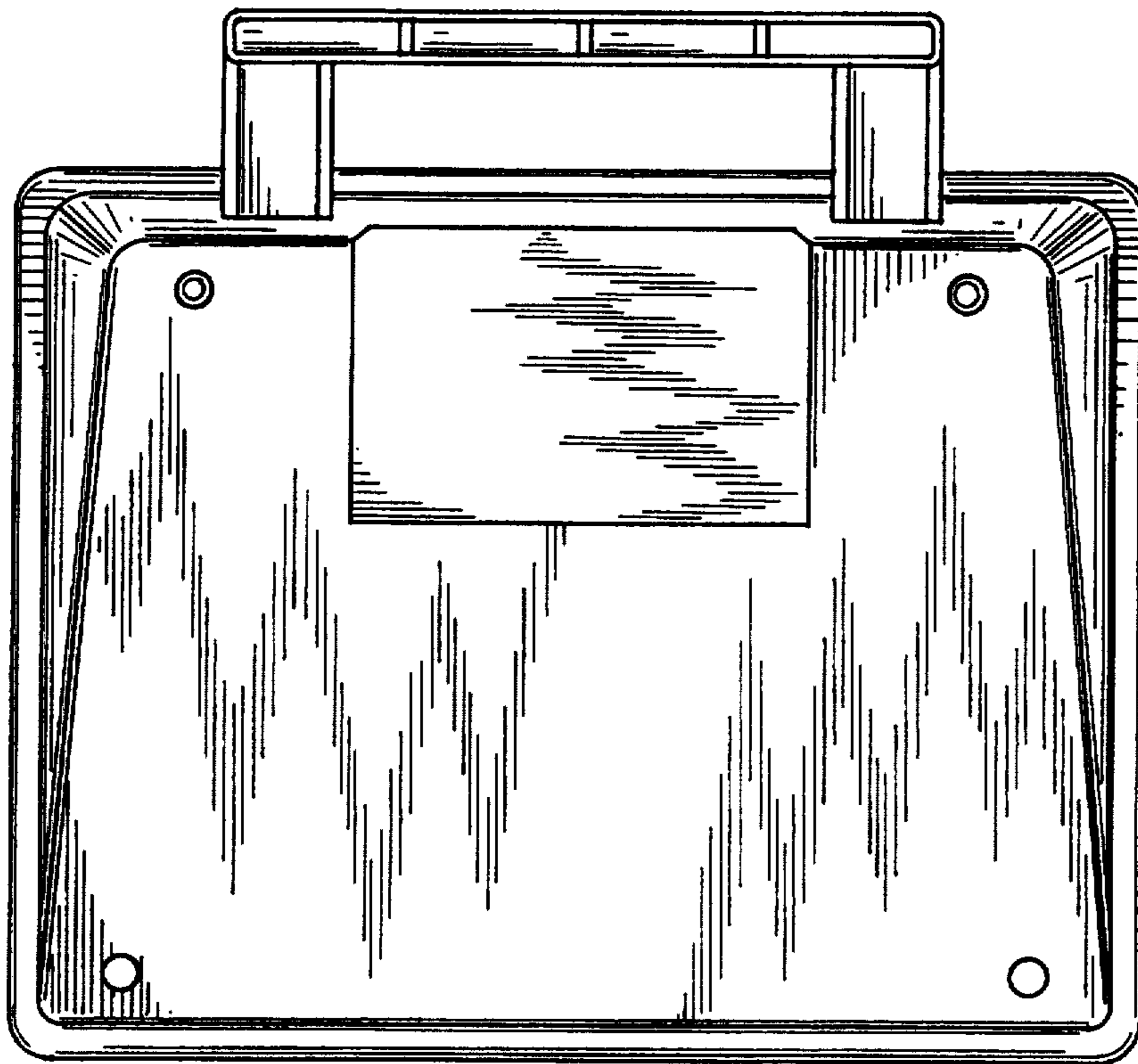


FIG. 11

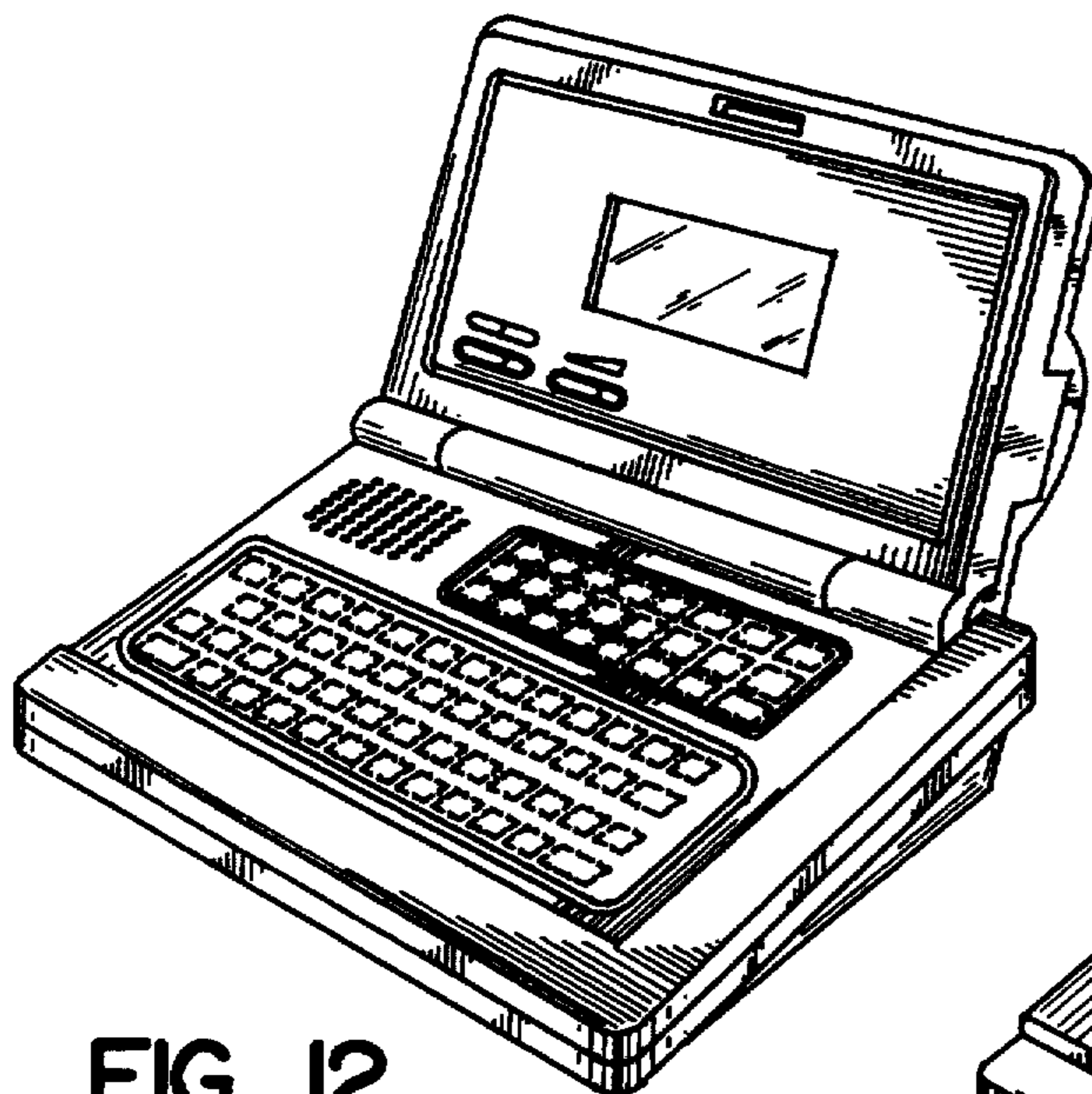


FIG. 12

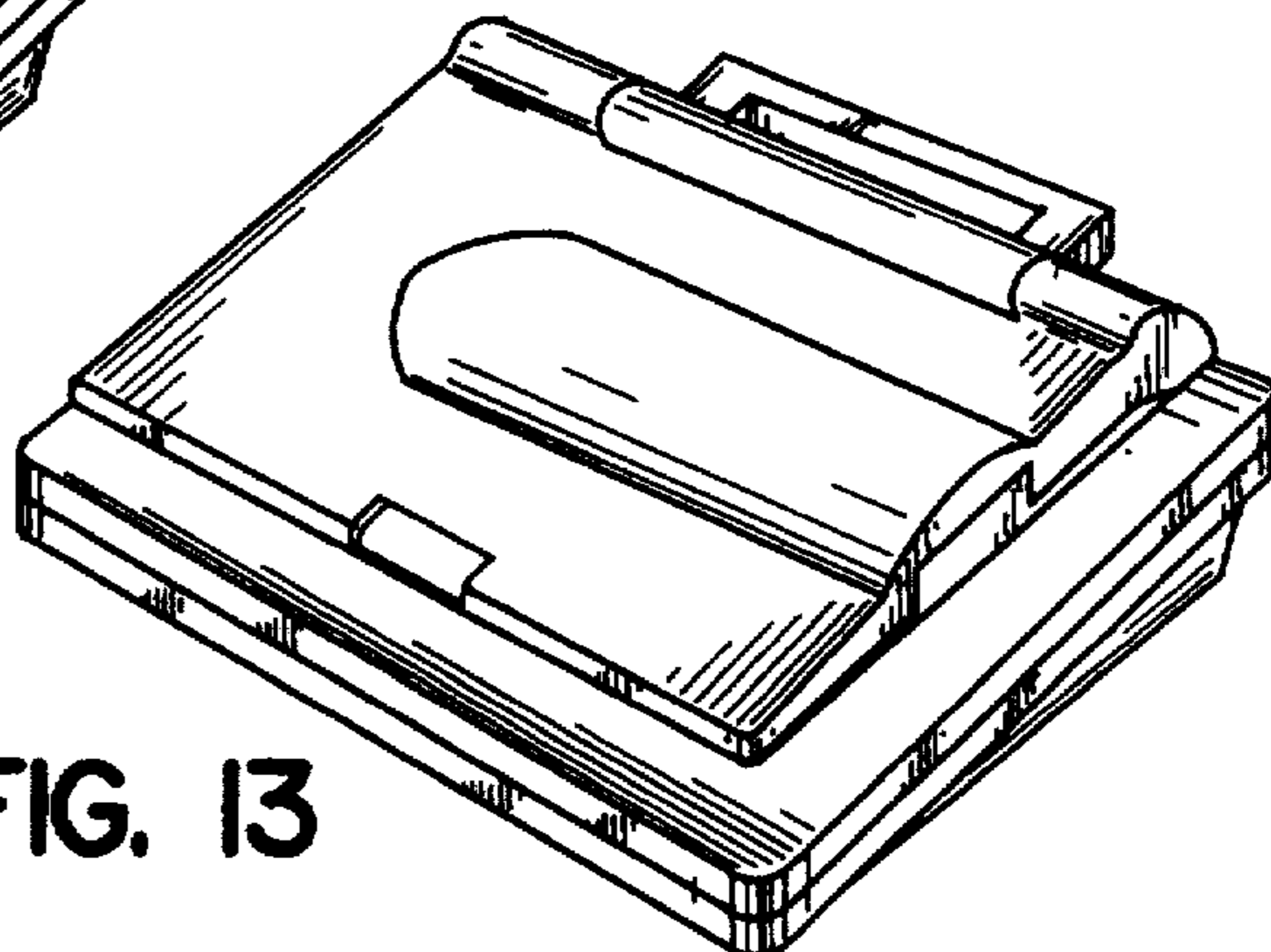


FIG. 13

UNITED STATES PATENT AND TRADEMARK OFFICE
CERTIFICATE OF CORRECTION

PATENT NO. : D358,171

DATED : **May 9, 1995**

INVENTOR(S) : Wai Y. Cheng

It is certified that error appears in the above-identified patent and that said Letters Patent is hereby corrected as shown below:

Title page, under "DESCRIPTION" (for FIG. 6), line 12:

Item [57], Line 17

The word "open" should have been changed to -- closed --.

Signed and Sealed this
Twenty-third Day of April, 1996

Attest:



BRUCE LEHMAN

Attesting Officer

Commissioner of Patents and Trademarks