



US00D358164S

United States Patent [19]

[11] Patent Number: **Des. 358,164**

Hashizume et al.

[45] Date of Patent: **** May 9, 1995**

[54] **PHOTOCONDUCTOR UNIT FOR FORMING AN IMAGE**

D. 332,962 2/1993 Kikuchi et al. D18/43

[75] Inventors: **Masahiro Hashizume, Yao; Hiroshi Ishida, Ikoma; Masayuki Mizuno, Osaka, all of Japan**

Primary Examiner—Alan P. Douglas
Assistant Examiner—Caron D. Veynar
Attorney, Agent, or Firm—Spencer, Frank & Schneider

[73] Assignee: **Mita Industrial Co., Ltd., Osaka, Japan**

[57] **CLAIM**

The ornamental design for a photoconductor unit for forming an image, as shown.

[**] Term: **14 Years**

DESCRIPTION

[21] Appl. No.: **13,525**

FIG. 1 is a right side elevational view of a photoconductor unit for forming an image;

[22] Filed: **Sep. 27, 1993**

FIG. 2 is a left side elevational view of a photoconductor unit for forming an image;

[30] **Foreign Application Priority Data**

Apr. 13, 1993 [JP] Japan 5-10980

FIG. 3 is a top plan view of a photoconductor unit for forming an image;

[52] U.S. Cl. **D18/43; D18/40**

FIG. 4 is a front elevational view of a photoconductor unit for forming an image;

[58] Field of Search **D18/40, 43, 36; 355/200, 206, 208, 245, 260, 298**

FIG. 5 is a bottom plan view of a photoconductor unit for forming an image;

[56] **References Cited**

U.S. PATENT DOCUMENTS

D. 286,542 11/1986 Saito D18/43

D. 327,088 6/1992 Murase D18/56

FIG. 6 is a rear elevational view of a photoconductor unit for forming an image; and,

FIG. 7 is a top, front and left side perspective view of a photoconductor unit for forming an image.

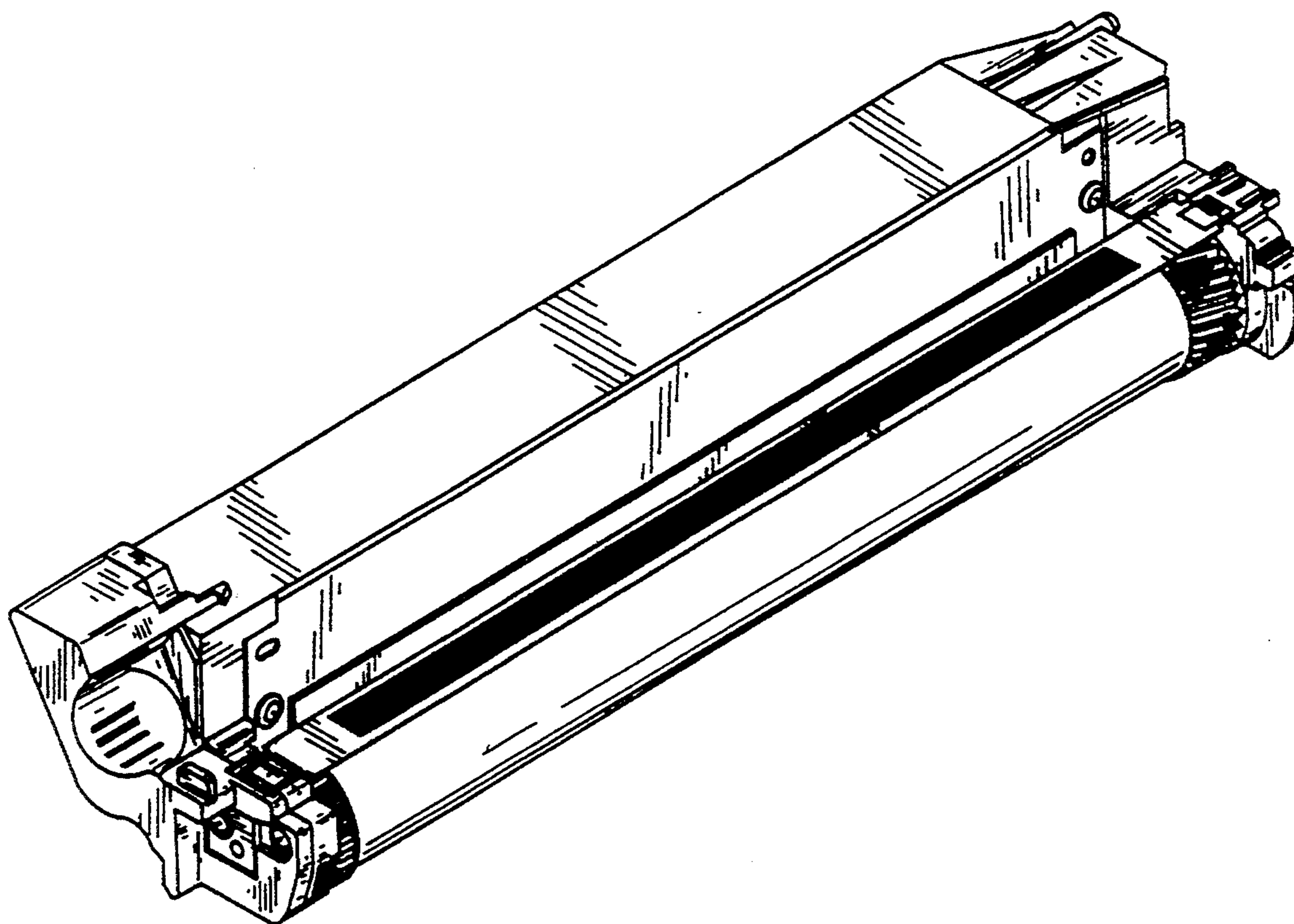


FIG. 1

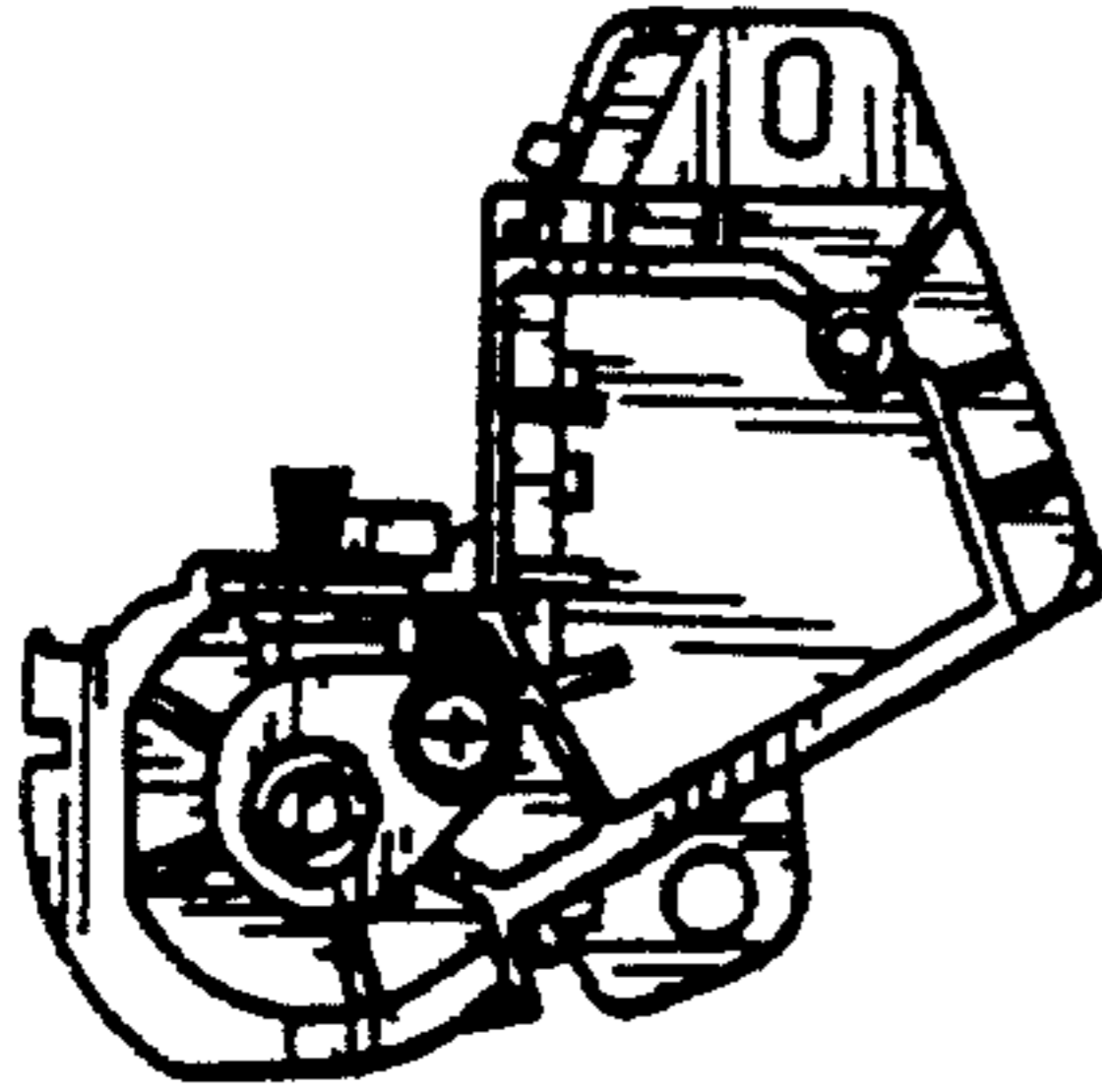


FIG. 2

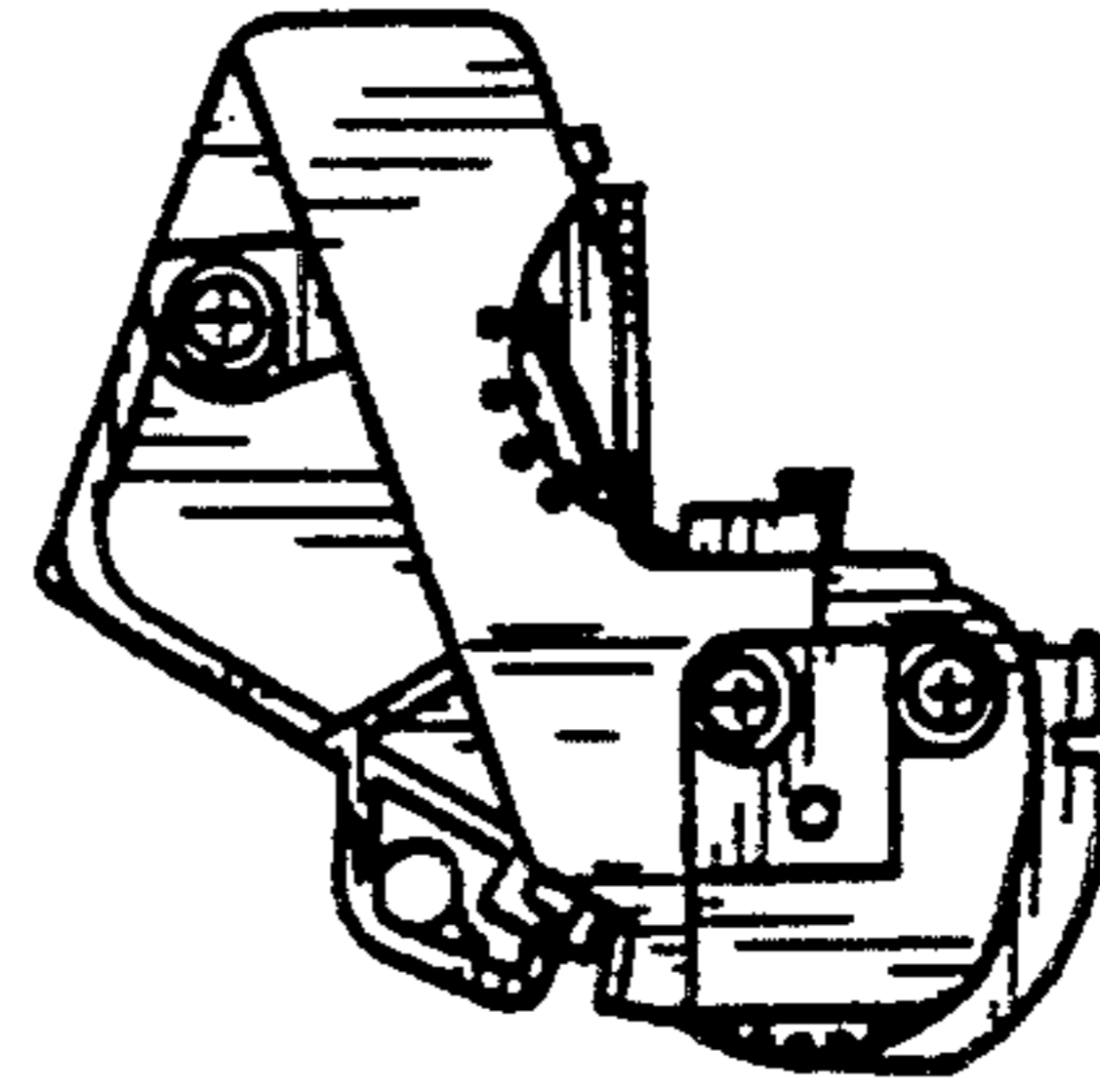


FIG. 3

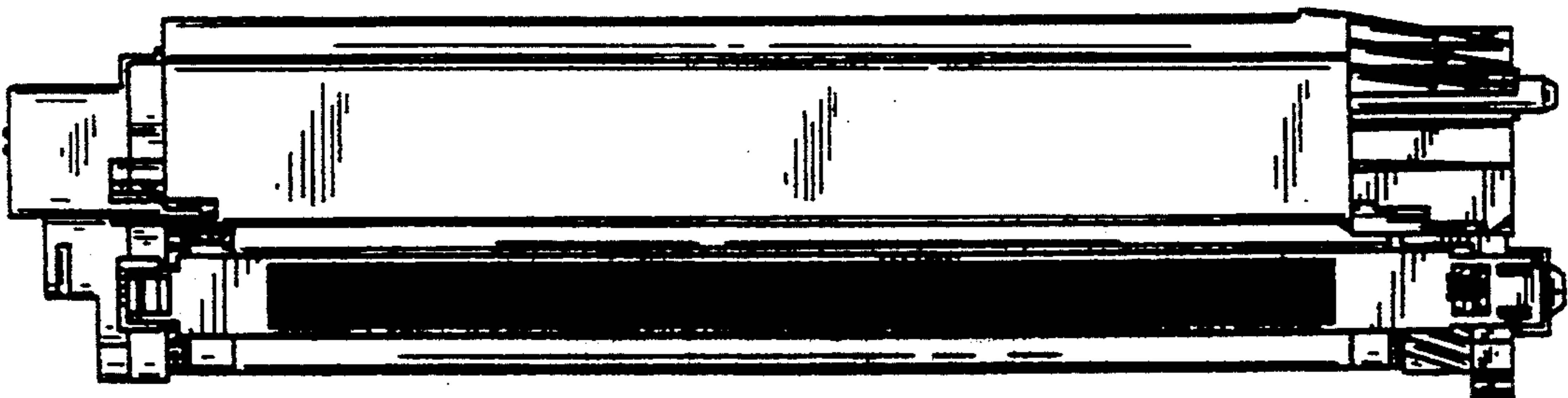


FIG. 4

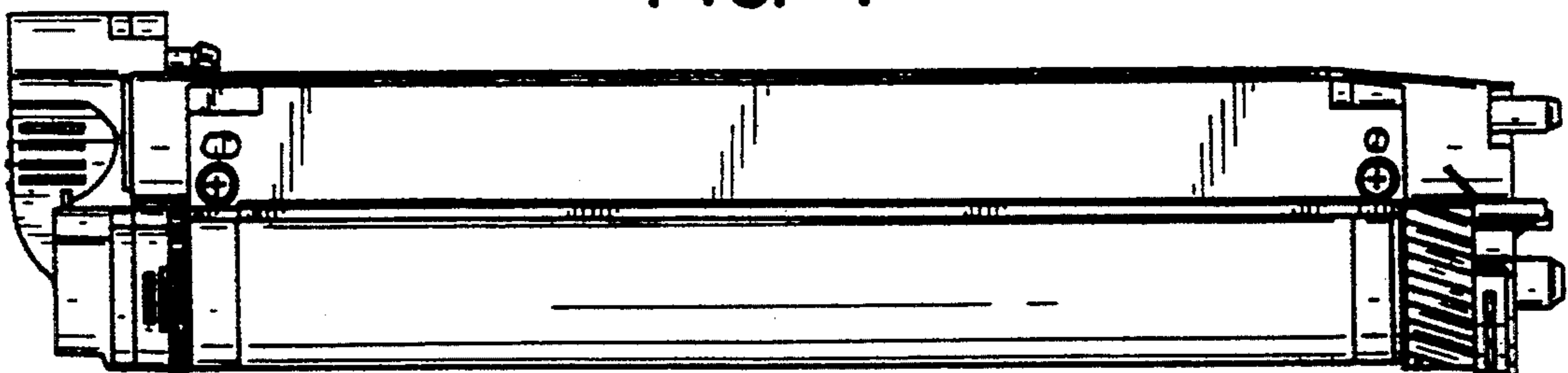


FIG. 5

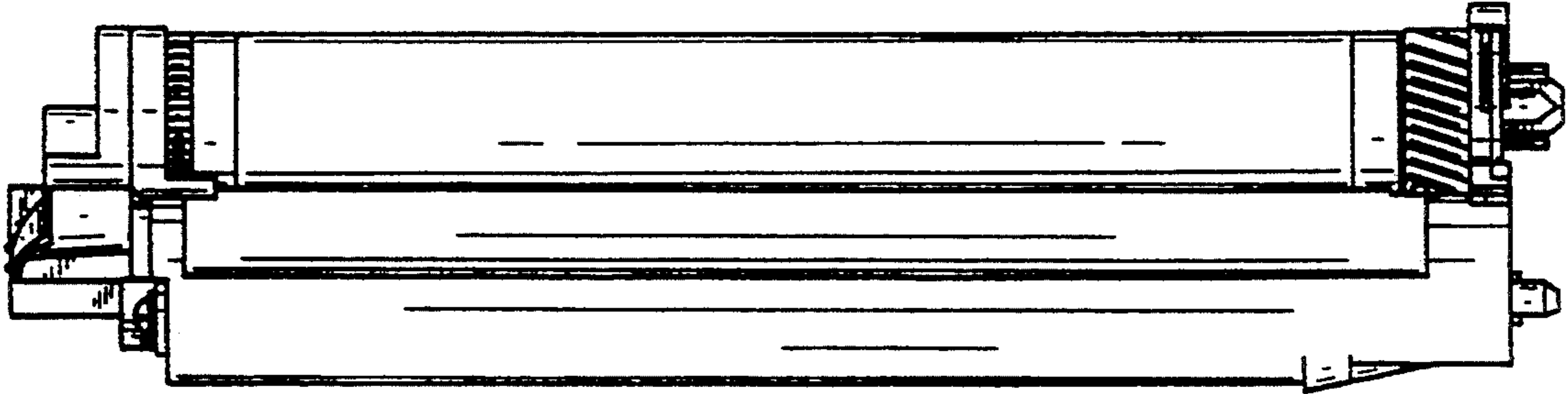


FIG. 6

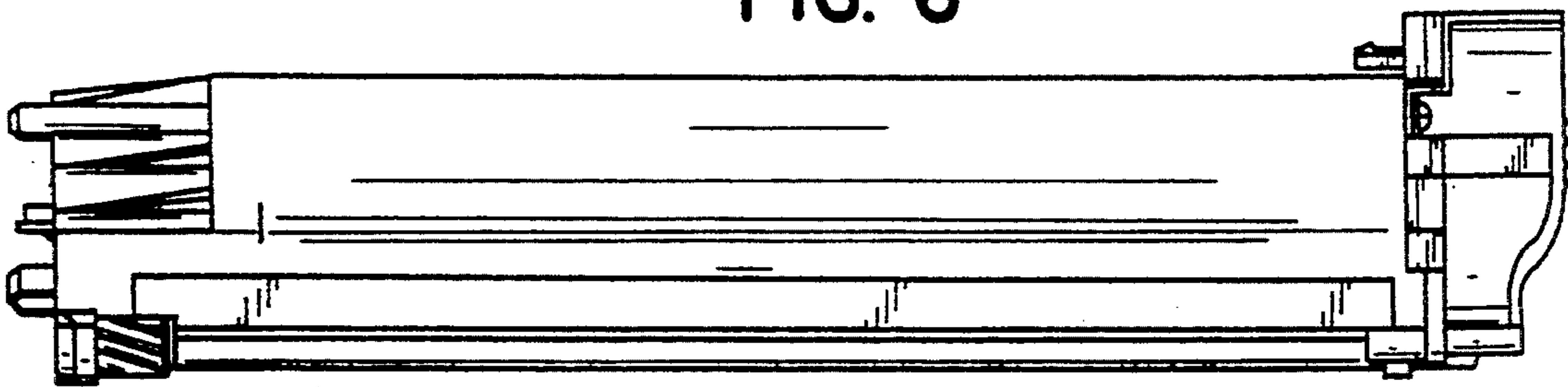


FIG. 7

