



US00D358163S

United States Patent [19]

[11] Patent Number: **Des. 358,163**

Nomura

[45] Date of Patent: **** May 9, 1995**

[54] **TONER CONTAINER FOR AN ELECTRONIC COPYING MACHINE**

FOREIGN PATENT DOCUMENTS

[75] Inventor: **Susumu Nomura**, Yokohama, Japan

123804 2/1992 Rep. of Korea .

[73] Assignee: **Kabushiki Kaisha Toshiba**, Kawasaki, Japan

Primary Examiner—Alan P. Douglas
Assistant Examiner—Caron D. Veynar
Attorney, Agent, or Firm—Oblon, Spivak, McClelland, Maier & Neustadt

[**] Term: **14 Years**

[57] CLAIM

[21] Appl. No.: **12,624**

The ornamental design for a toner container for an electronic copying machine, as shown.

[22] Filed: **Sep. 7, 1993**

DESCRIPTION

[30] Foreign Application Priority Data

Mar. 17, 1993 [JP]	Japan	5-7426
[52] U.S. Cl.	D18/43; D18/40	
[58] Field of Search	D18/40, 43, 36;	
	222/DIG. 1, 166,325, 541, 240; 355/200, 206,	
	208, 245, 260, 298	

FIG. 1 is a front, top, right side perspective view of a toner container for an electronic copying machine, showing my new design;
 FIG. 2 is a front elevational view thereof;
 FIG. 3 is a left side elevational view thereof;
 FIG. 4 is a right side elevational view thereof;
 FIG. 5 is a top plan view thereof;
 FIG. 6 is a bottom plan view thereof;
 FIG. 7 is a rear elevational view thereof;
 FIG. 8 is an enlarged cross-sectional view, taken along line 8—8 in FIG. 2, with the internal mechanisms omitted for ease of illustration; and,
 FIG. 9 is an enlarged cross-sectional view, taken along line 9—9 in FIG. 4, with the internal mechanisms omitted for ease of illustration.

[56] References Cited

U.S. PATENT DOCUMENTS

D. 310,240	8/1990	Smith	D18/43
D. 331,773	12/1992	Shibata	D18/43
D. 346,819	5/1994	Taniguchi et al.	D18/43

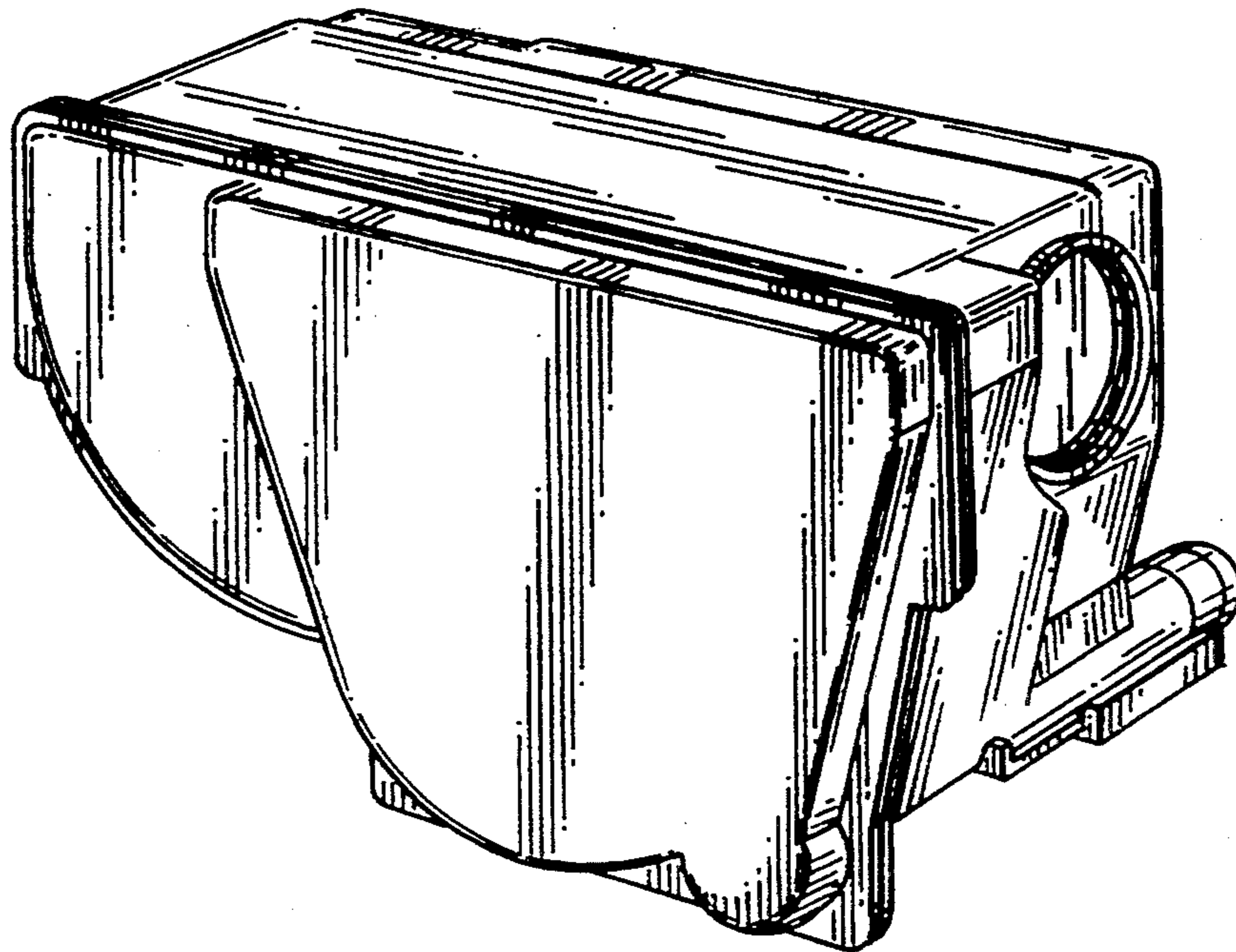


FIG. 1

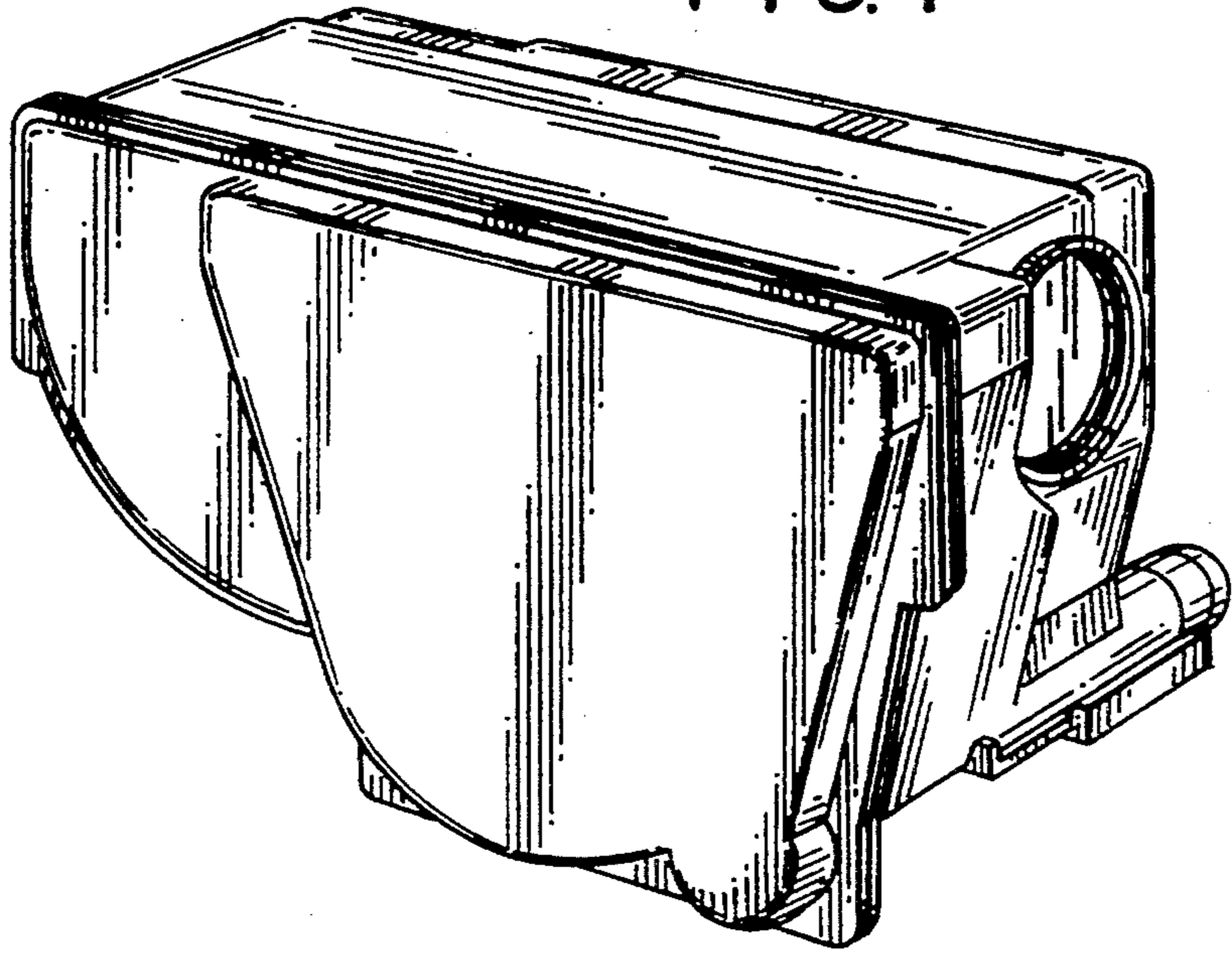
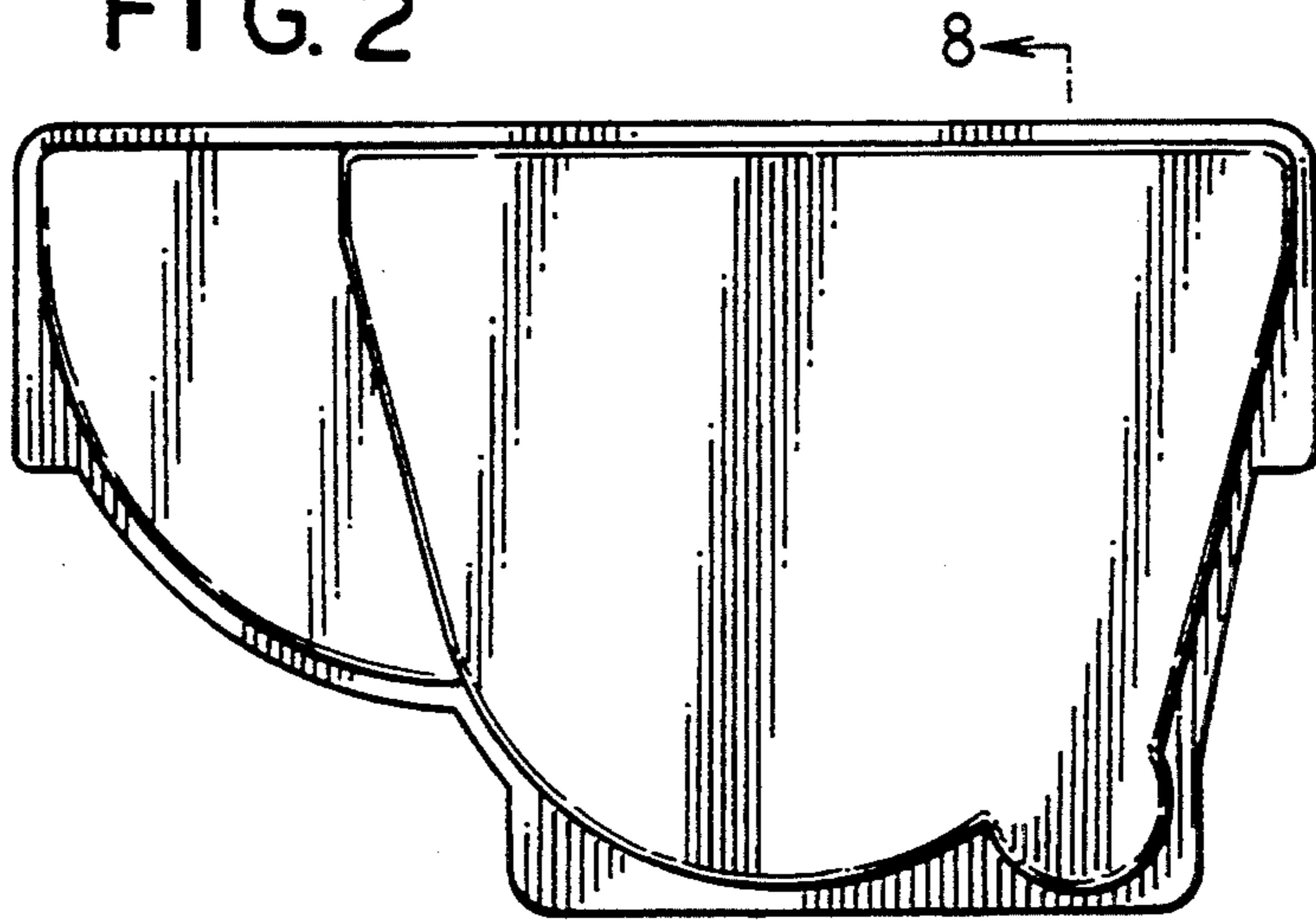


FIG. 2



8

8

FIG. 3

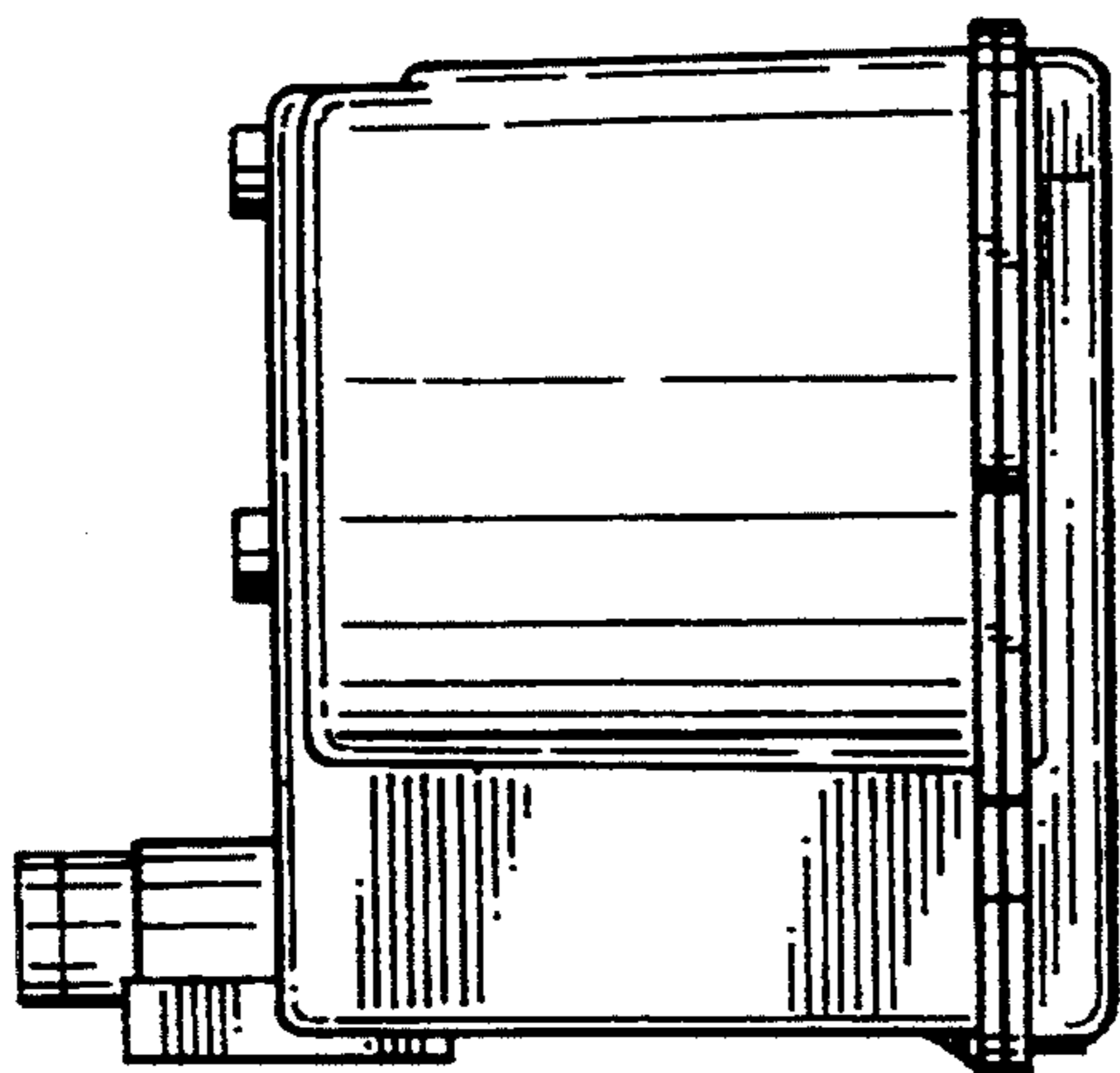
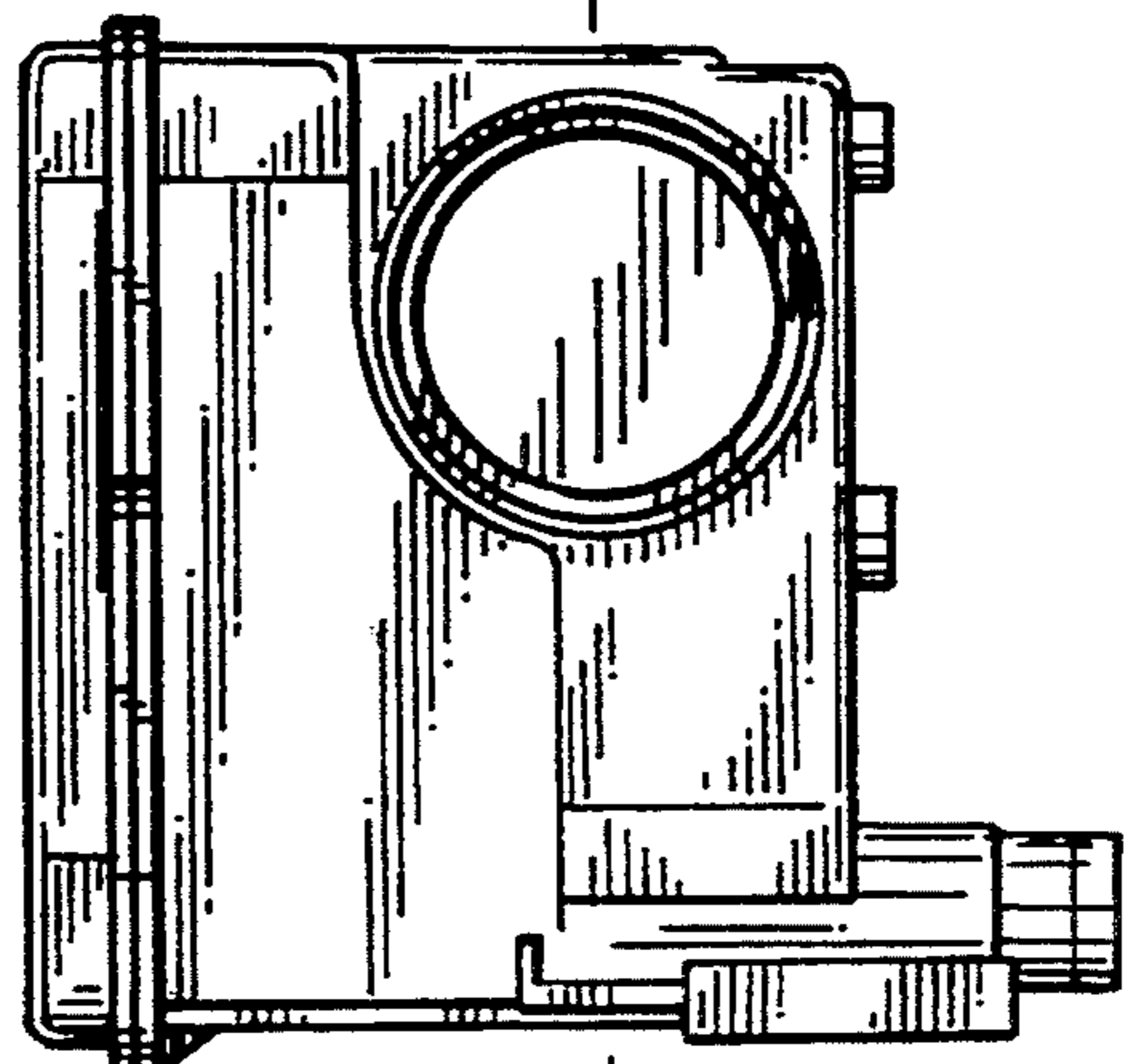


FIG. 4



9

9

FIG. 5

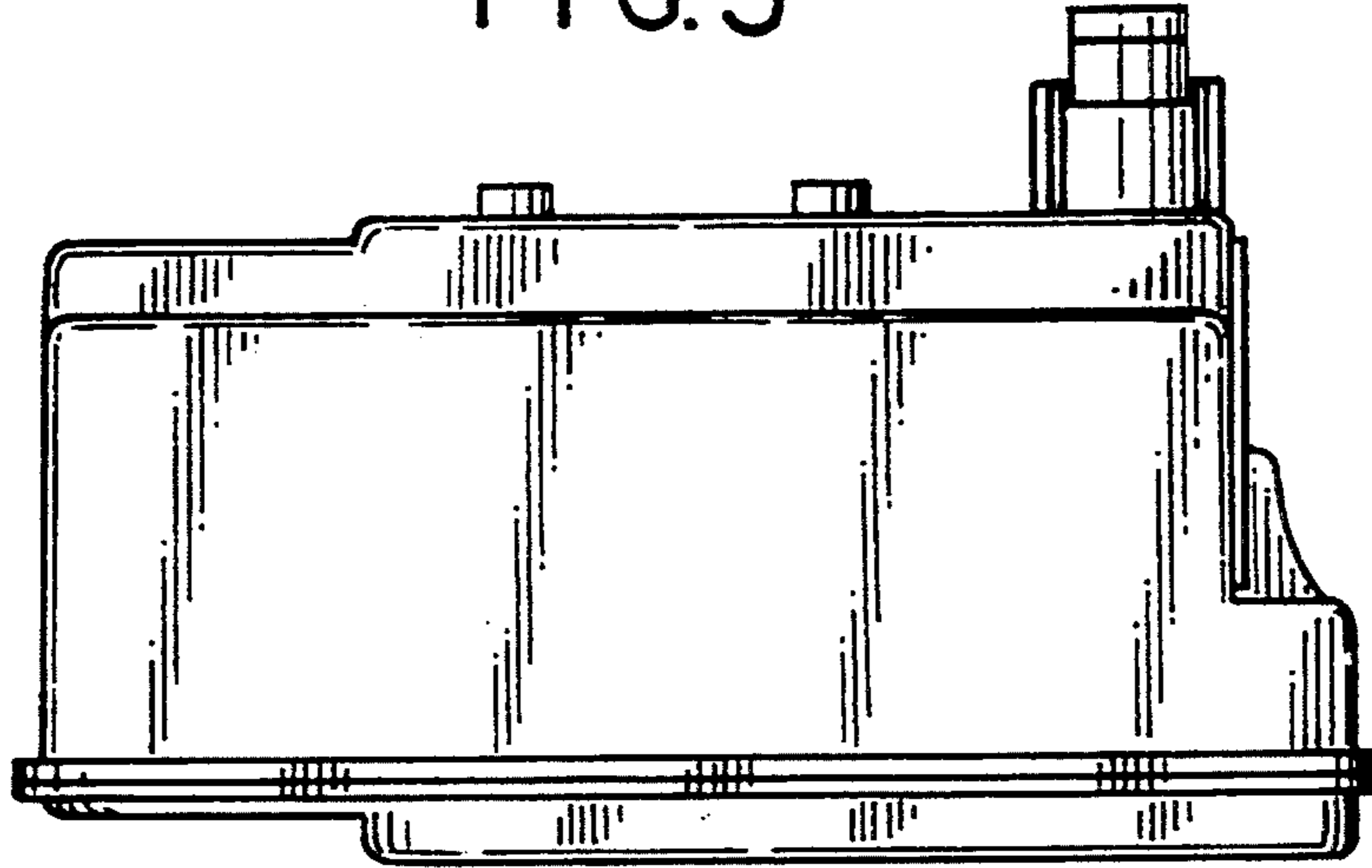


FIG. 6

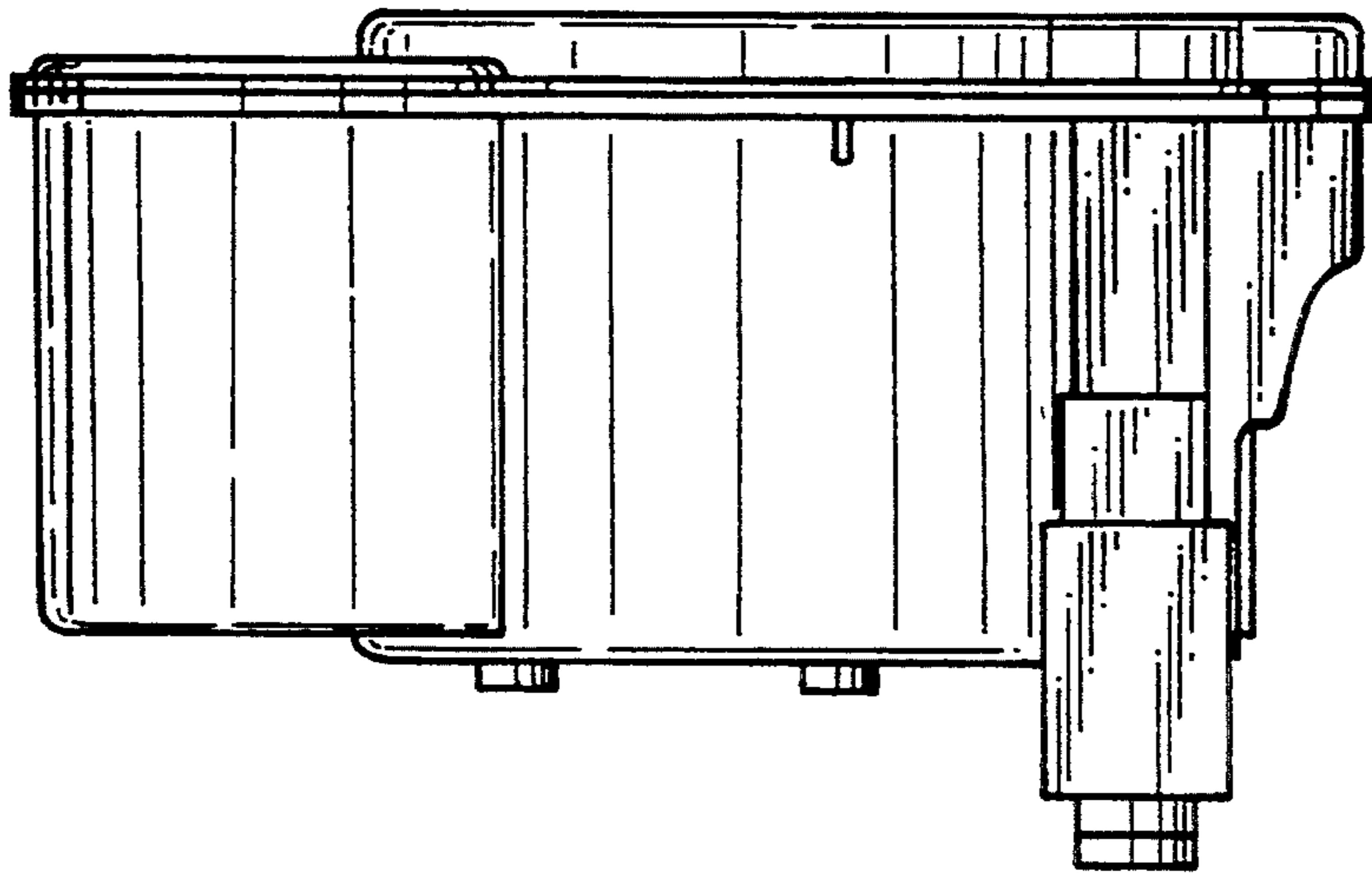


FIG. 7

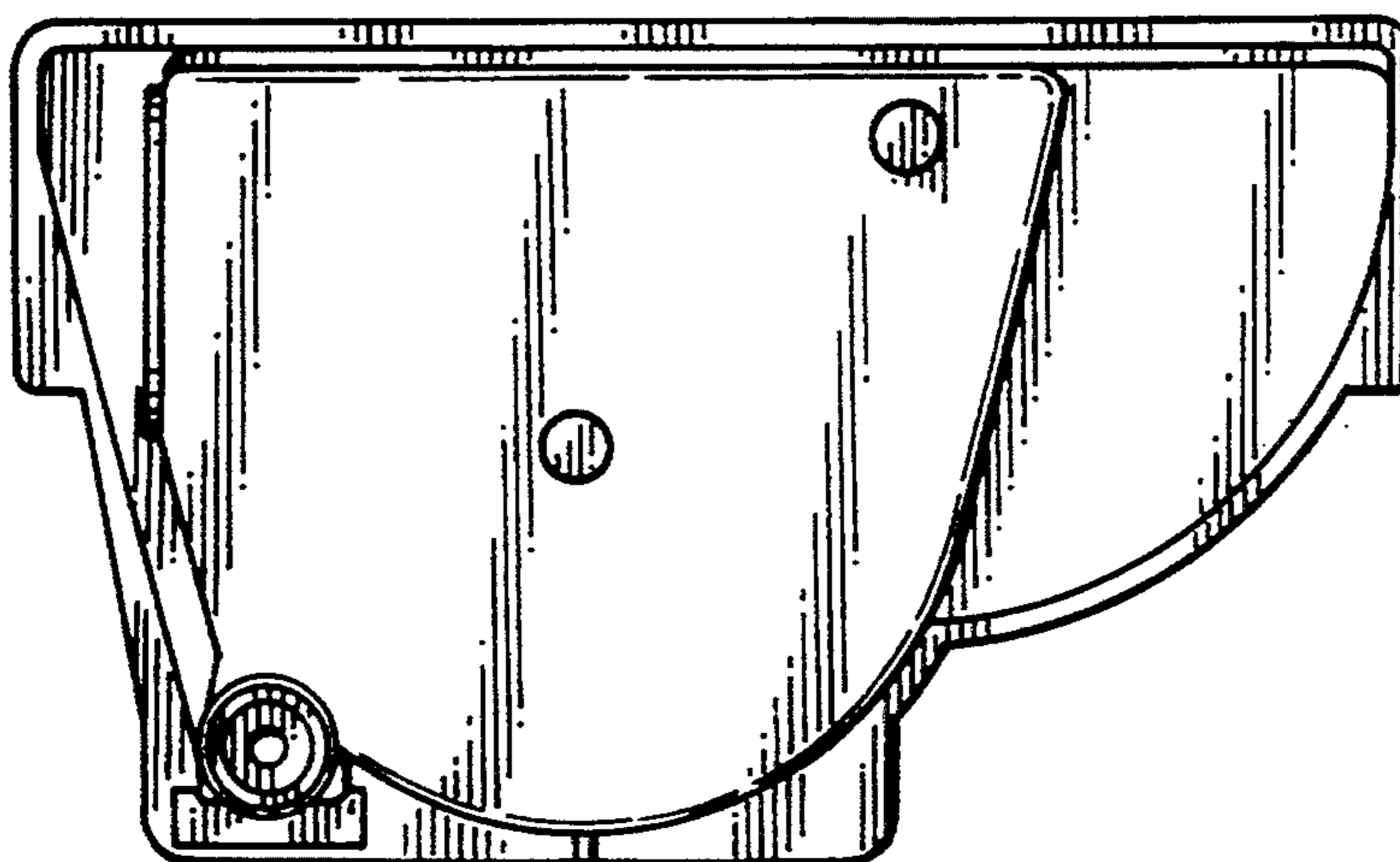


FIG. 8

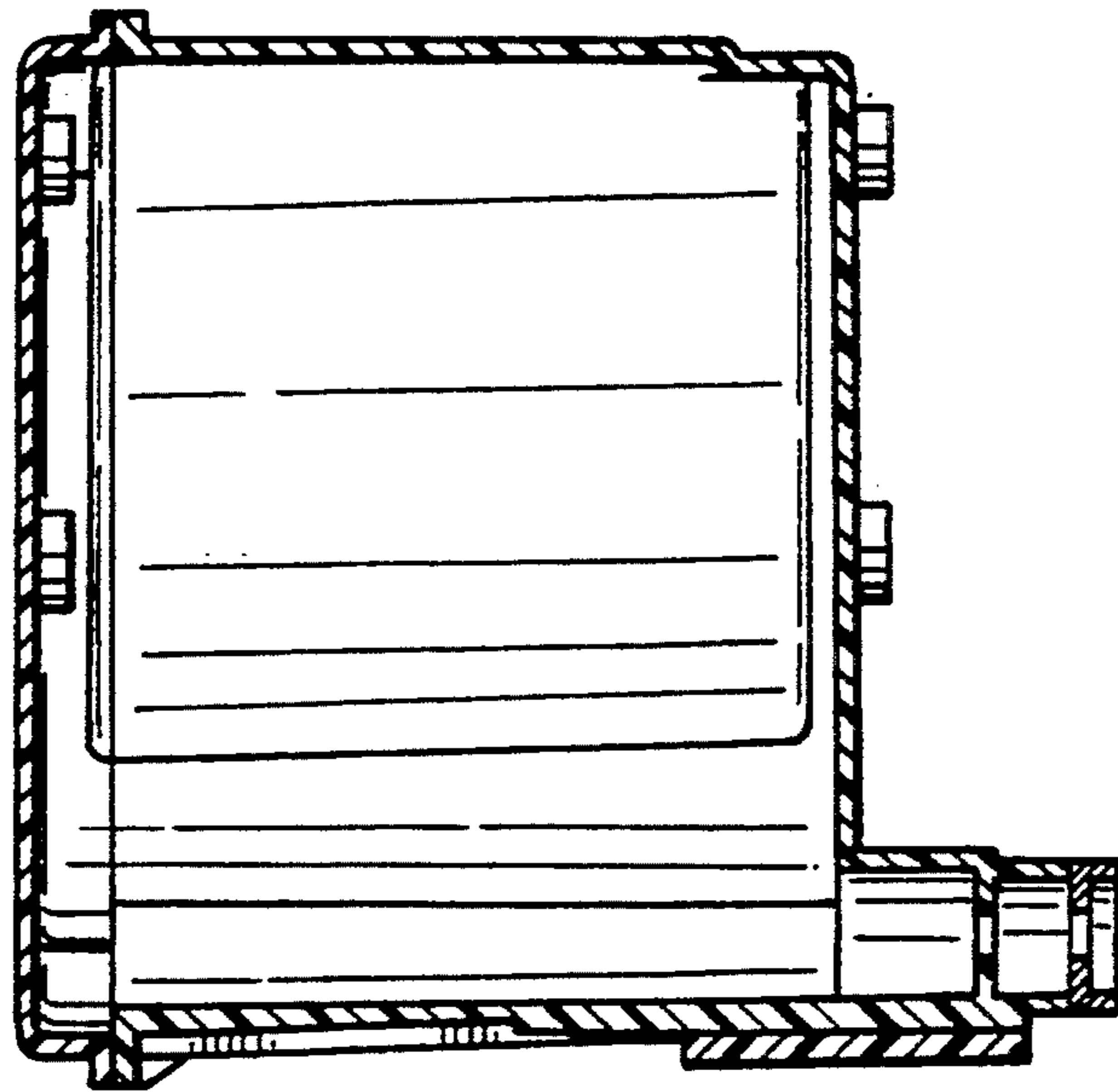


FIG. 9

