



US00D358162S

# United States Patent [19]

[11] Patent Number: **Des. 358,162**

Buie et al.

[45] Date of Patent: **\*\* May 9, 1995**

## [54] SUPPORT SHOE FOR POINT OF SALE EQUIPMENT

[75] Inventors: **Robin S. Buie; Bruce L. Mann; Philip E. Stephens**, all of Shelbyville, Ind.

[73] Assignee: **Indiana Cash Drawer Company, Inc.**, Shelbyville, Ind.

[\*\*] Term: **14 Years**

[21] Appl. No.: **3,843**

[22] Filed: **Jan. 15, 1993**

[52] U.S. Cl. .... **D18/4; D18/12**

[58] Field of Search ..... **D18/4, 12, 99; D14/113, D14/114; 340/700, 706, 711, 712; 341/22, 23, 26; 315/85, 366; 358/248, 249, 252-254; 364/706-710; 312/208; 248/917-923, 441.1, 442.2, 447.2, 664, 346, 349, 371**

## [56] References Cited

### U.S. PATENT DOCUMENTS

D. 143,789	2/1946	Bell .....	D18/12 X
D. 244,332	5/1977	Sullivan .....	D18/12
D. 244,658	6/1977	Turner .....	D18/12
D. 279,687	7/1985	Akiyama .....	D18/4
D. 303,536	9/1989	Miyaji et al. ....	D18/4
D. 319,458	8/1991	Ave-Lallemant .....	D18/4
D. 324,515	3/1992	Harden et al. ....	D14/113

## OTHER PUBLICATIONS

CompuRegister Brochure; Jan. 1992.  
 Computer Time's Brochure date unknown.  
 MMF Industries Point of Sale Cash Drawers Brochure date unknown.  
 LDI Retail Services advertisement date unknown.  
 MicroBiz Retail Superstation advertisement date unknown.  
 APG Cash Drawer POS Organizer System brochure date unknown.  
 ATV brochure date unknown.  
 CompuAdd Point of Sale System Brochure, 1992 Feb.

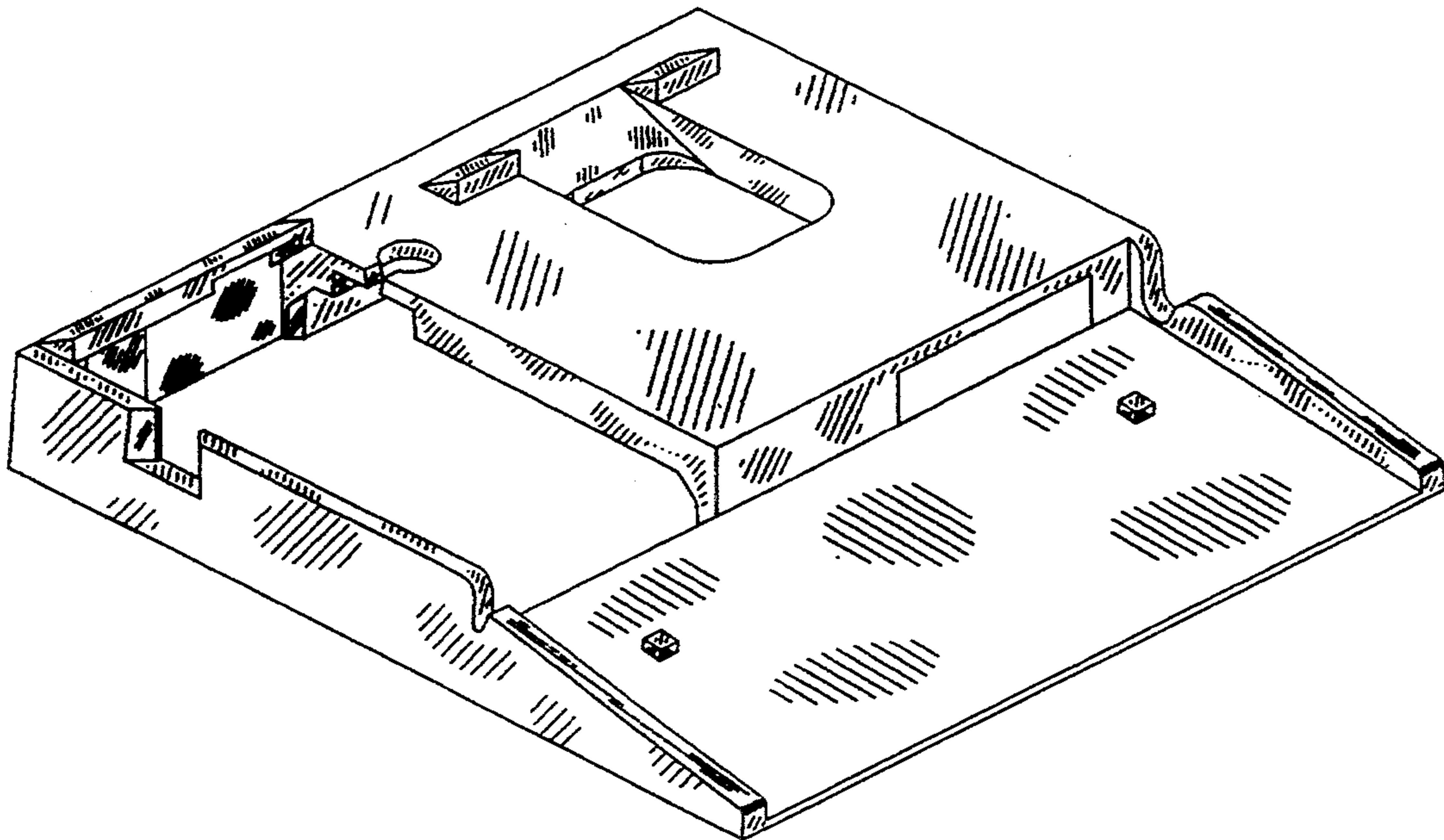
*Primary Examiner*—Nelson C. Holtje  
*Assistant Examiner*—Caron D. Veynar  
*Attorney, Agent, or Firm*—Ice Miller Donadio & Ryan; Paul B. Overhauser; Doreen J. Gridley

## [57] CLAIM

The ornamental design for support shoe for point of sale equipment, as shown.

## DESCRIPTION

FIG. 1 is a top view of a support shoe for point of sale equipment showing our new design;  
 FIG. 2 is a front view thereof;  
 FIG. 3 is a left side view thereof;  
 FIG. 4 is a right side view thereof;  
 FIG. 5 is an isometric view of the top side thereof; and,  
 FIG. 6 is an isometric view of the bottom side thereof.



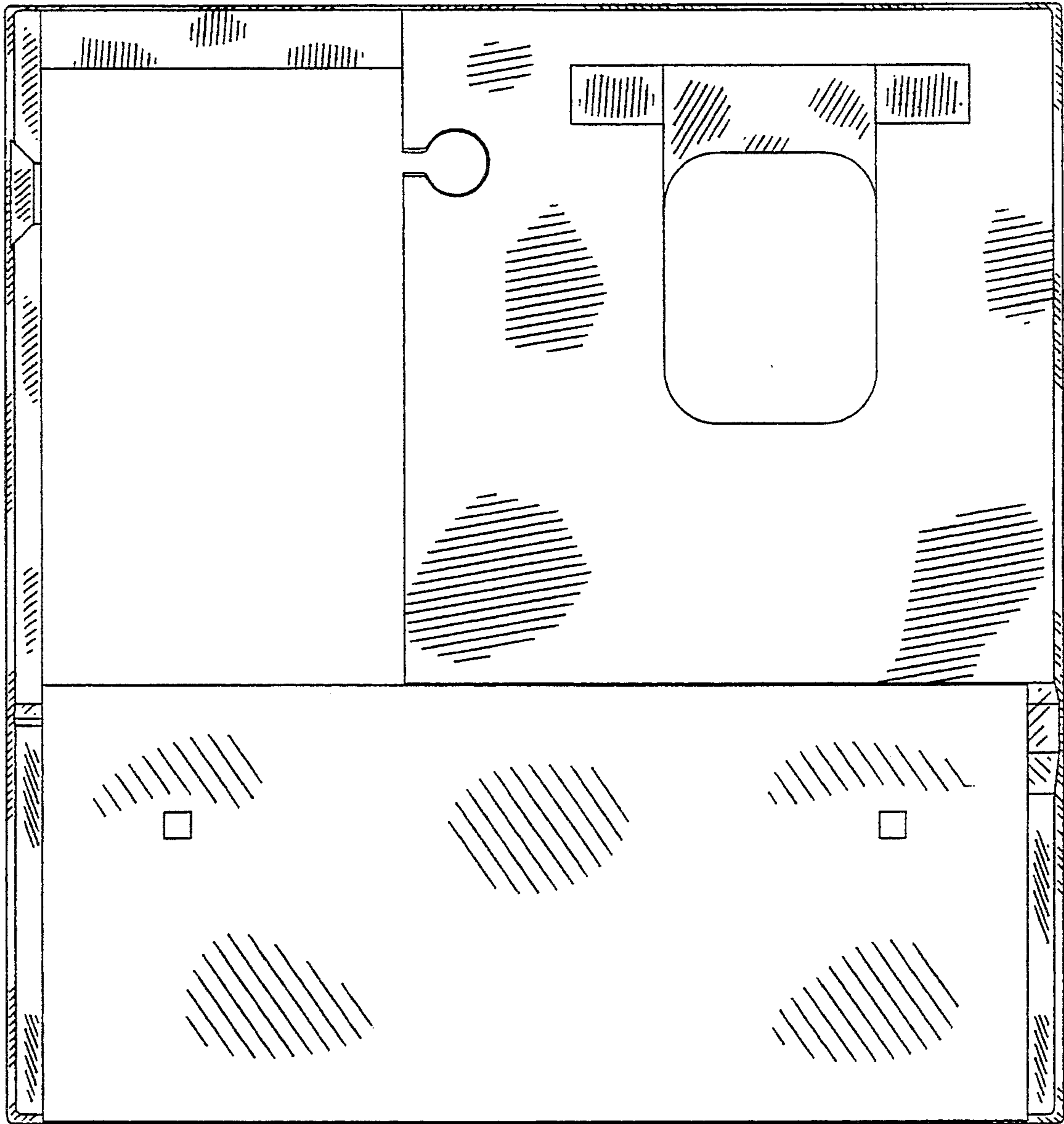


Fig. 1

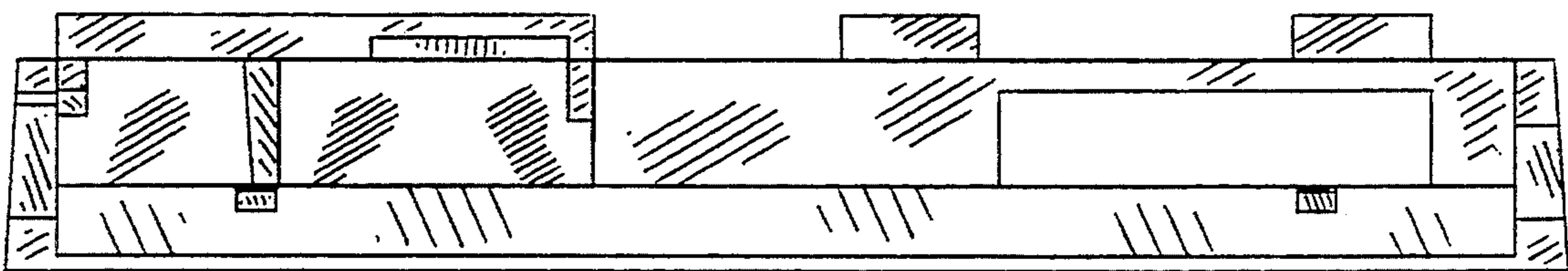


Fig. 2

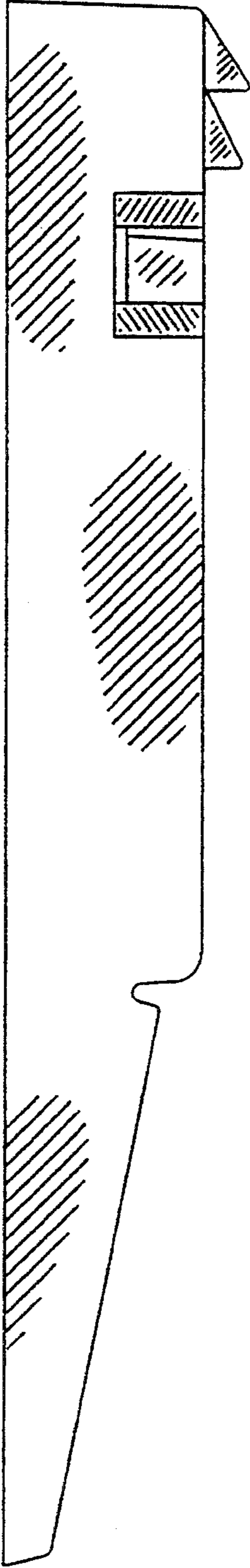


Fig. 3

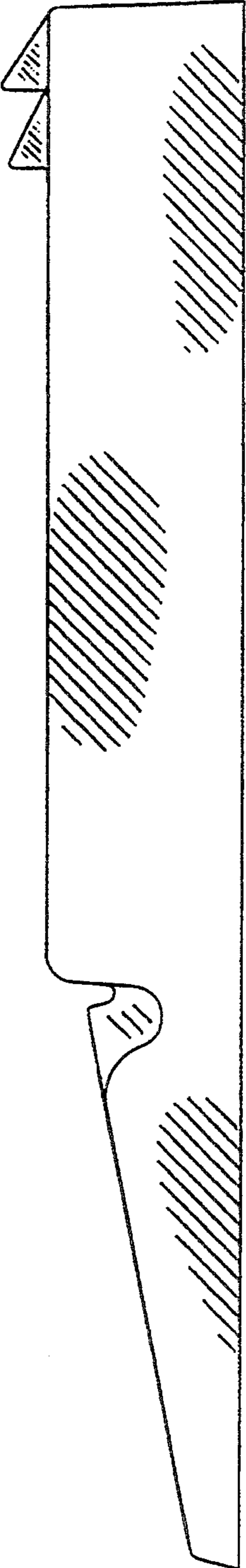


Fig. 4

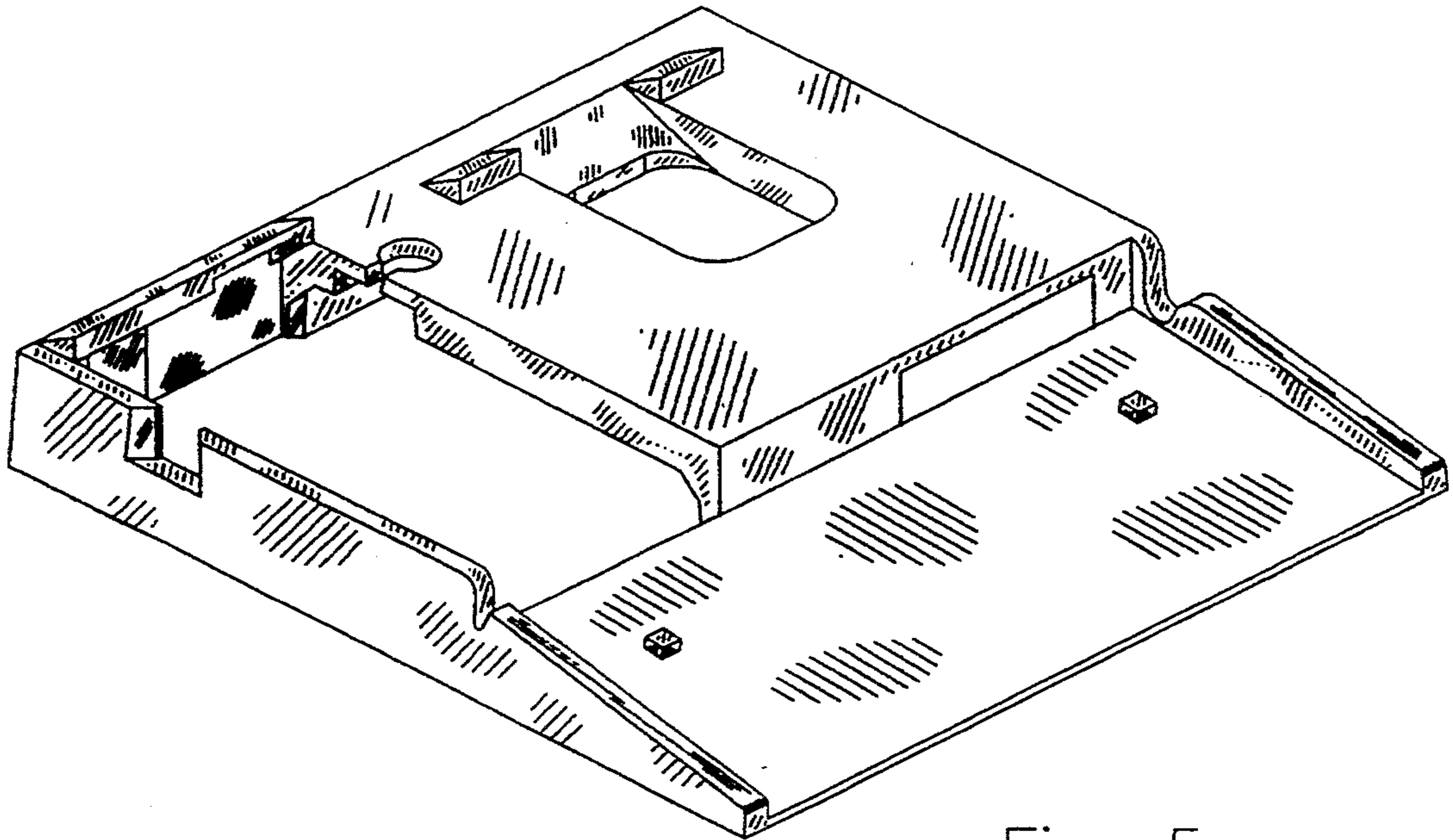


Fig. 5

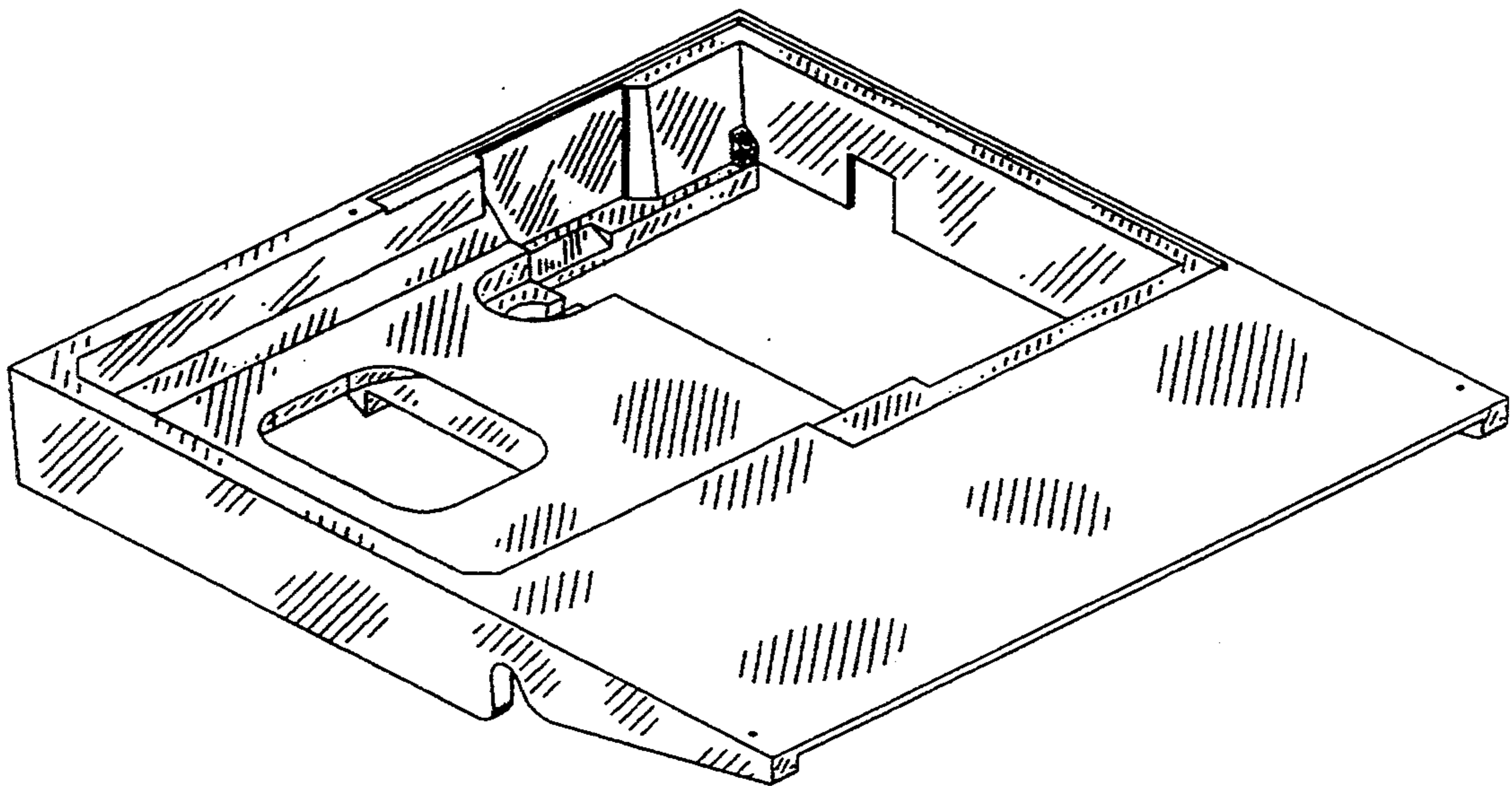


Fig. 6