



US00D358160S

**United States Patent** [19]  
**Conway**

[11] **Patent Number: Des. 358,160**  
[45] **Date of Patent: \*\* May 9, 1995**

[54] **SUNGLASSES**

[75] **Inventor: Simon M. Conway, Lima, N.Y.**

[73] **Assignee: Bausch & Lomb Incorporated, Rochester, N.Y.**

[\*\*] **Term: 14 Years**

[21] **Appl. No.: 10,988**

[22] **Filed: Jul. 22, 1993**

[52] **U.S. Cl. .... D16/326**

[58] **Field of Search ..... D16/101, 102, 103, 107, D16/110-112, 116-118, 122-123, 126, 128; D29/8-9; 351/44, 47, 48, 57, 59, 66, 110, 124-125, 156-157, 158; 2/431, 447, 449, 452**

[56] **References Cited**

**U.S. PATENT DOCUMENTS**

D. 164,544	9/1951	Baratelli .....	D16/118
D. 176,820	1/1956	Rohrbach .....	D16/116
D. 198,643	7/1964	Wilson .....	D16/116
D. 204,417	4/1966	Shindler .....	D16/116
D. 204,496	4/1966	McCulloch .....	D16/116
D. 301,480	6/1989	Sonthonnax .....	D16/102

**OTHER PUBLICATIONS**

Bausch & Lomb catalog 1956 p. 23 Bottom of Page.  
Optical Journal and Review of Optometry Apr. 1, 1969 p. 17 "Lotus".  
The Optician, Aug. 24, 1984 p. 47 "Sports".  
Review of Optometry Jun., '88 p. 93.

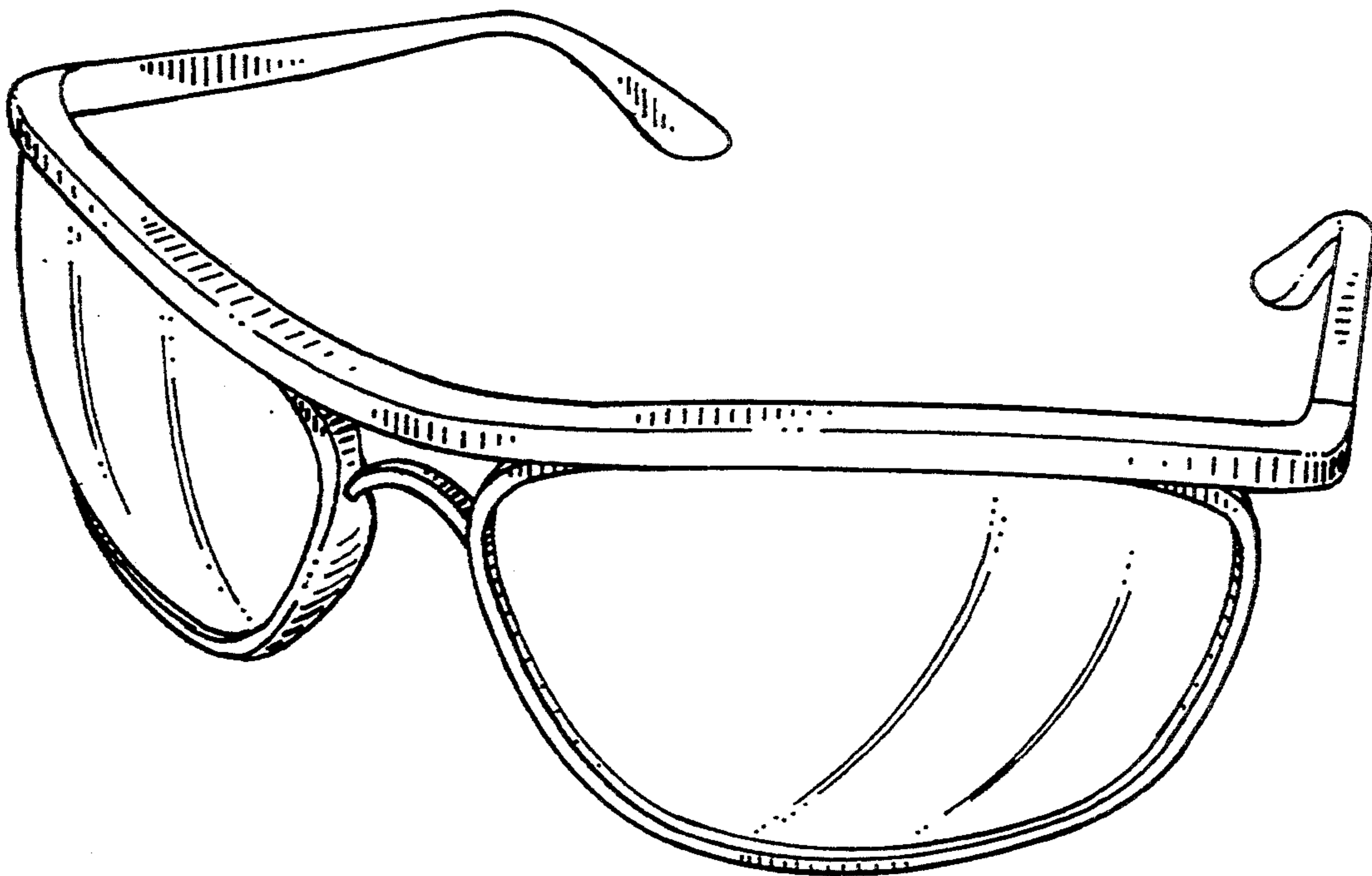
*Primary Examiner*—Theodore M. Shooman  
*Assistant Examiner*—R. Barkai  
*Attorney, Agent, or Firm*—John E. Thomas; Salvatore P. Pace

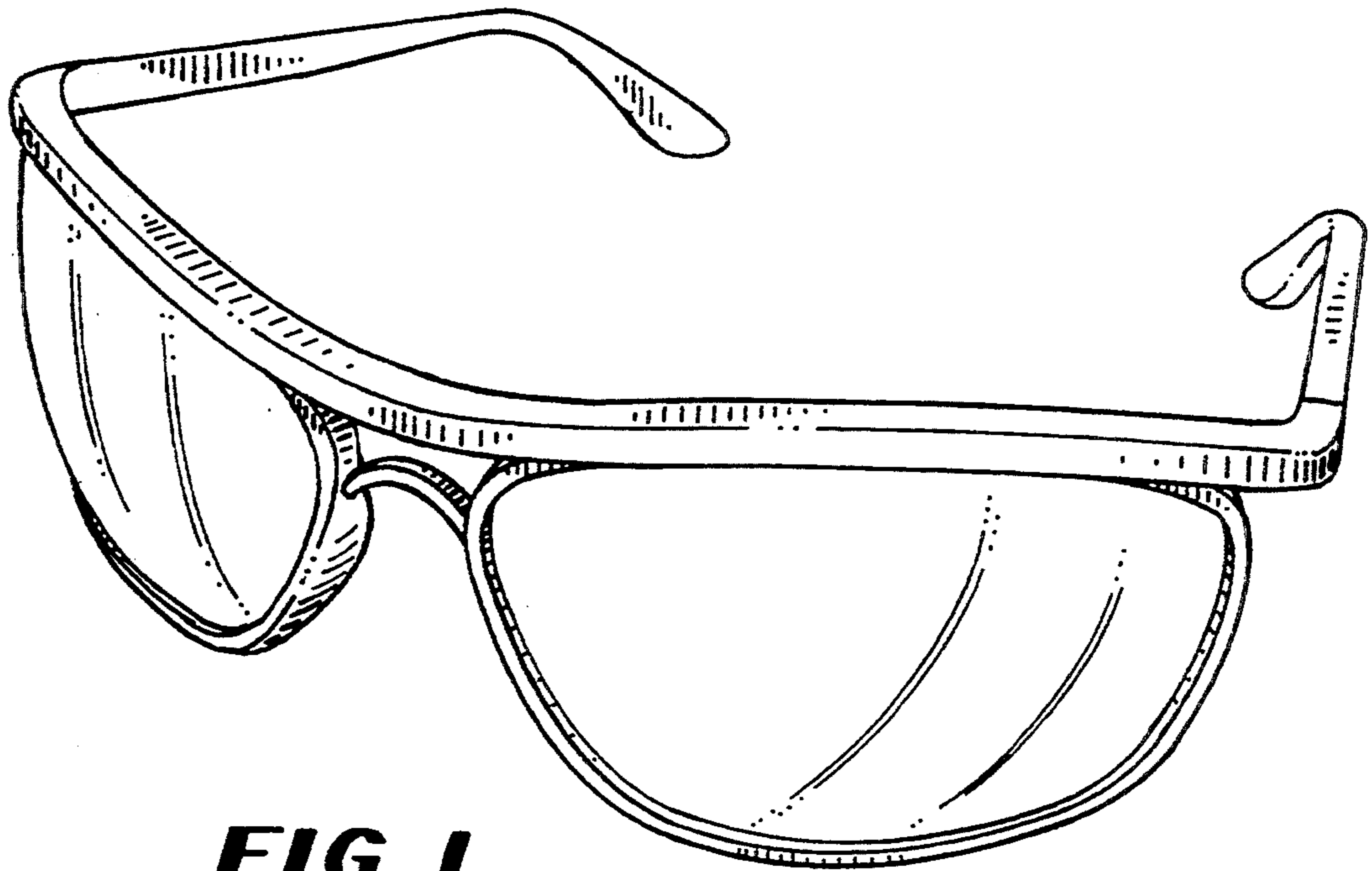
[57] **CLAIM**

The ornamental design for a pair of sunglasses, as shown and described.

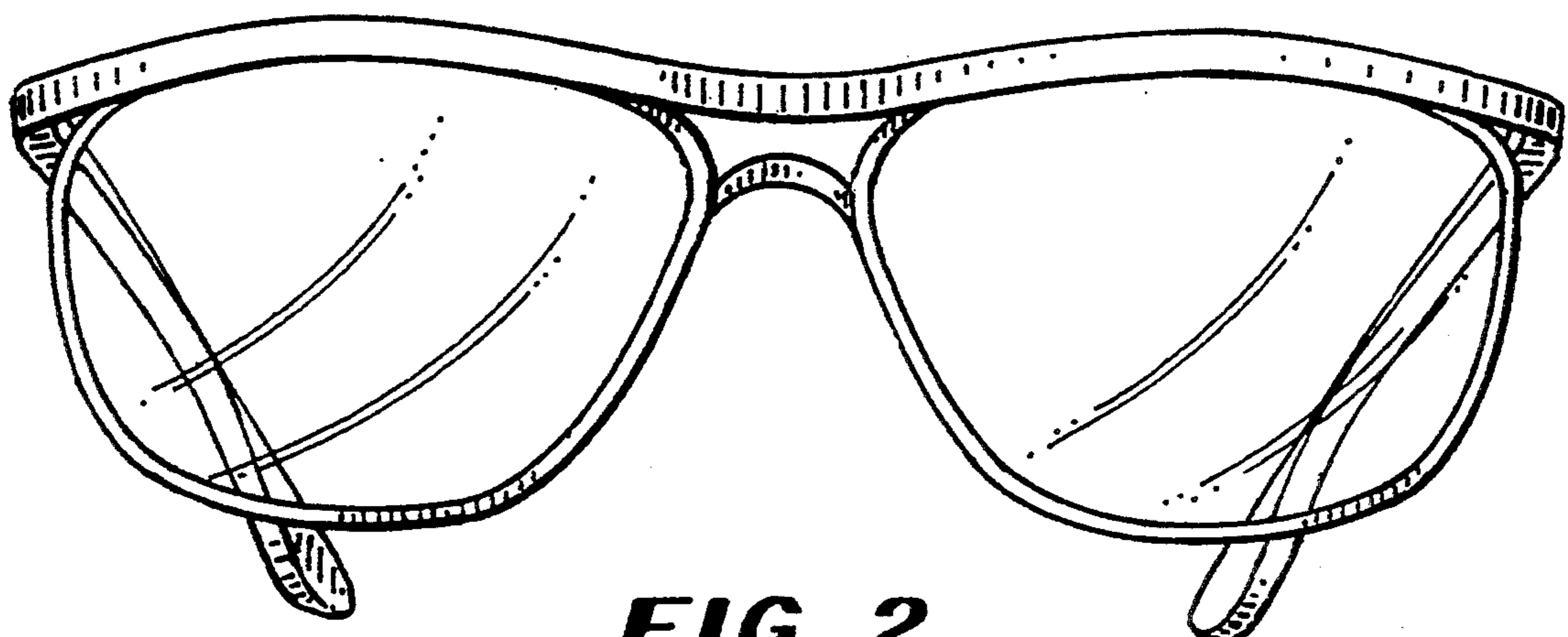
**DESCRIPTION**

FIG. 1 is a right front perspective view of a pair of sunglasses showing my new design;  
FIG. 2 is a front view thereof;  
FIG. 3 is a right side view thereof;  
FIG. 4 is a left side view thereof; and,  
FIG. 5 is a top view thereof.  
The temples have been broken away in FIG. 5 for convenience of illustration.

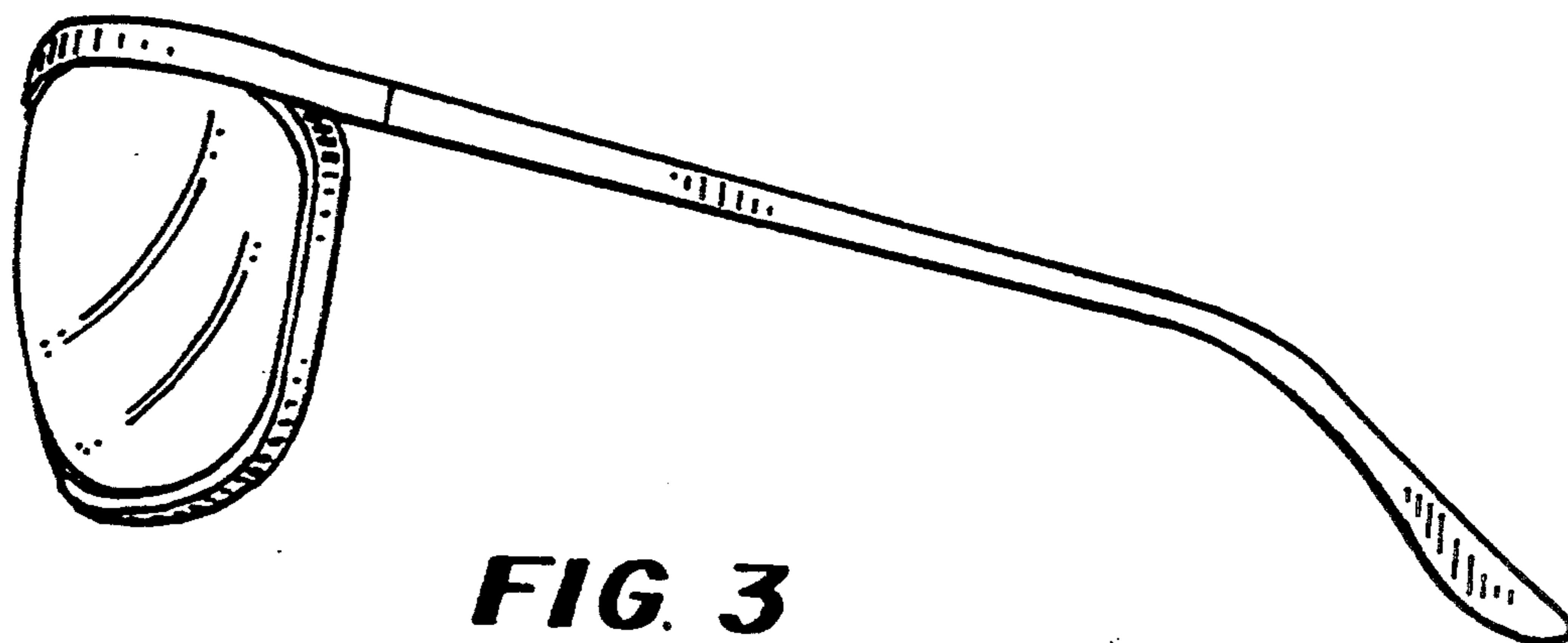




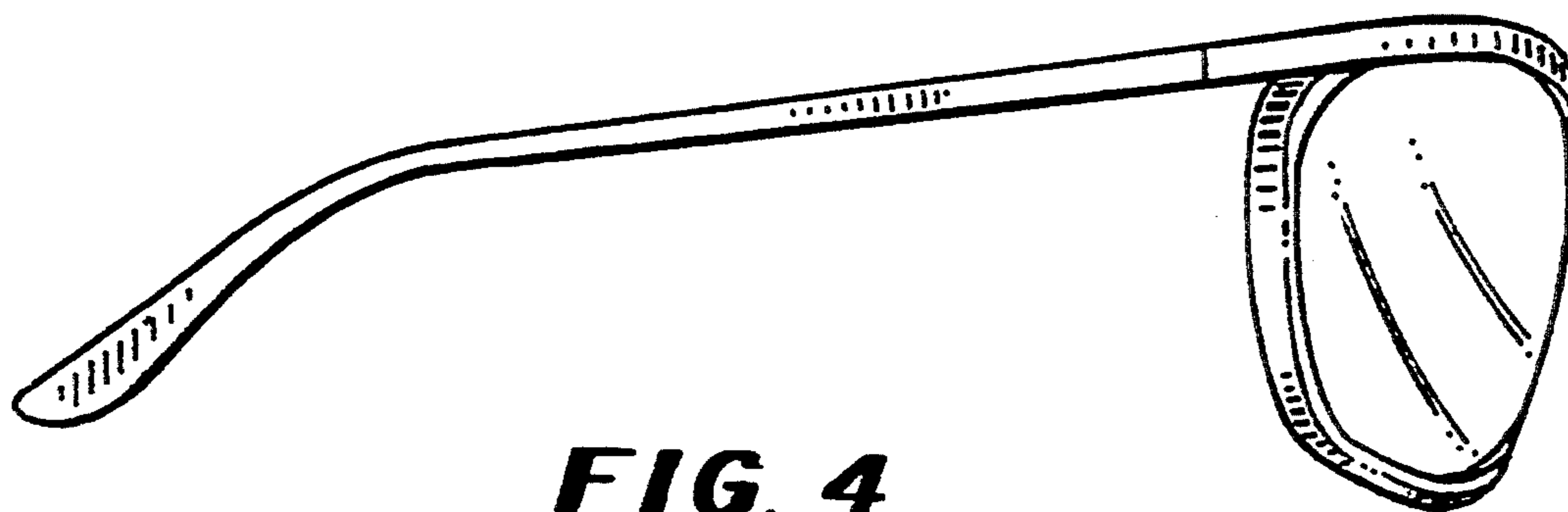
**FIG. 1**



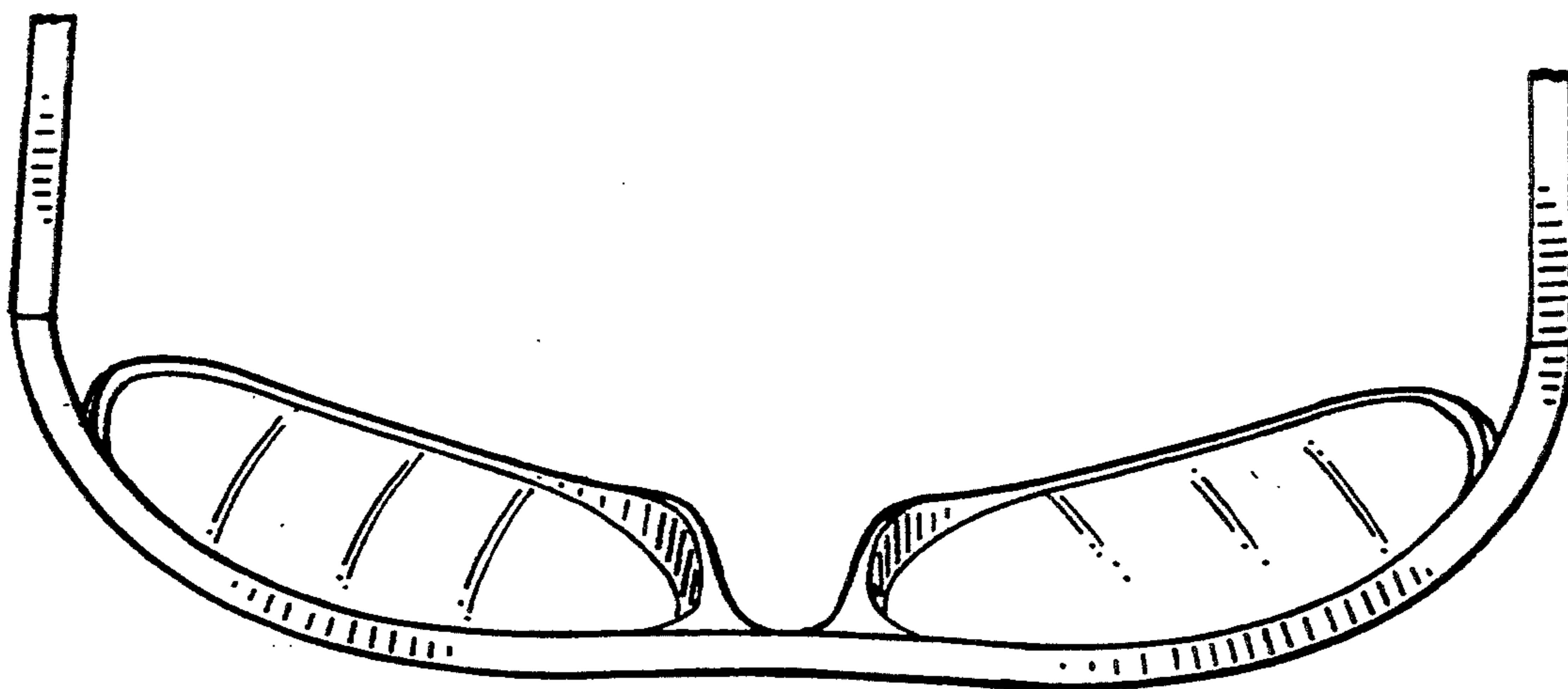
**FIG. 2**



**FIG. 3**



**FIG. 4**



**FIG. 5**