



US00D358157S

United States Patent [19]

Kusunoki et al.

[11] Patent Number: **Des. 358,157**

[45] Date of Patent: **** May 9, 1995**

[54] **WHEEL LOADER**

[75] Inventors: **Tadashi Kusunoki; Kouji Masutani,**
both of Sakai, Japan

[73] Assignee: **Kubota Ltd., Japan**

[**] Term: **14 Years**

[21] Appl. No.: **2,172**

[22] Filed: **Dec. 3, 1992**

Related U.S. Application Data

[63] Continuation-in-part of Ser. No. 483,538, Feb. 21, 1990,
abandoned.

[52] U.S. Cl. **D15/25**

[58] Field of Search **D15/10, 15, 22, 23,**
D15/24, 25; 37/379, 411, 442, 444-446;
180/89.1, 89.2, 900; 296/190; 414/685, 722

[56] References Cited

U.S. PATENT DOCUMENTS

- D. 312,465 11/1990 Yaguchi et al. D15/23
- D. 326,858 6/1992 Skeel et al. D15/25
- 4,155,473 5/1979 Holopainen 414/722

4,309,142 1/1982 Shumaker 414/722

FOREIGN PATENT DOCUMENTS

8801662 3/1988 WIPO 37/442

OTHER PUBLICATIONS

Implement & Tractor, Jan. 31, 1986 Dual DU-AL 95
Town & Country Loader, right side.

Primary Examiner—Theodore M. Shooman

Assistant Examiner—Sandra Morris

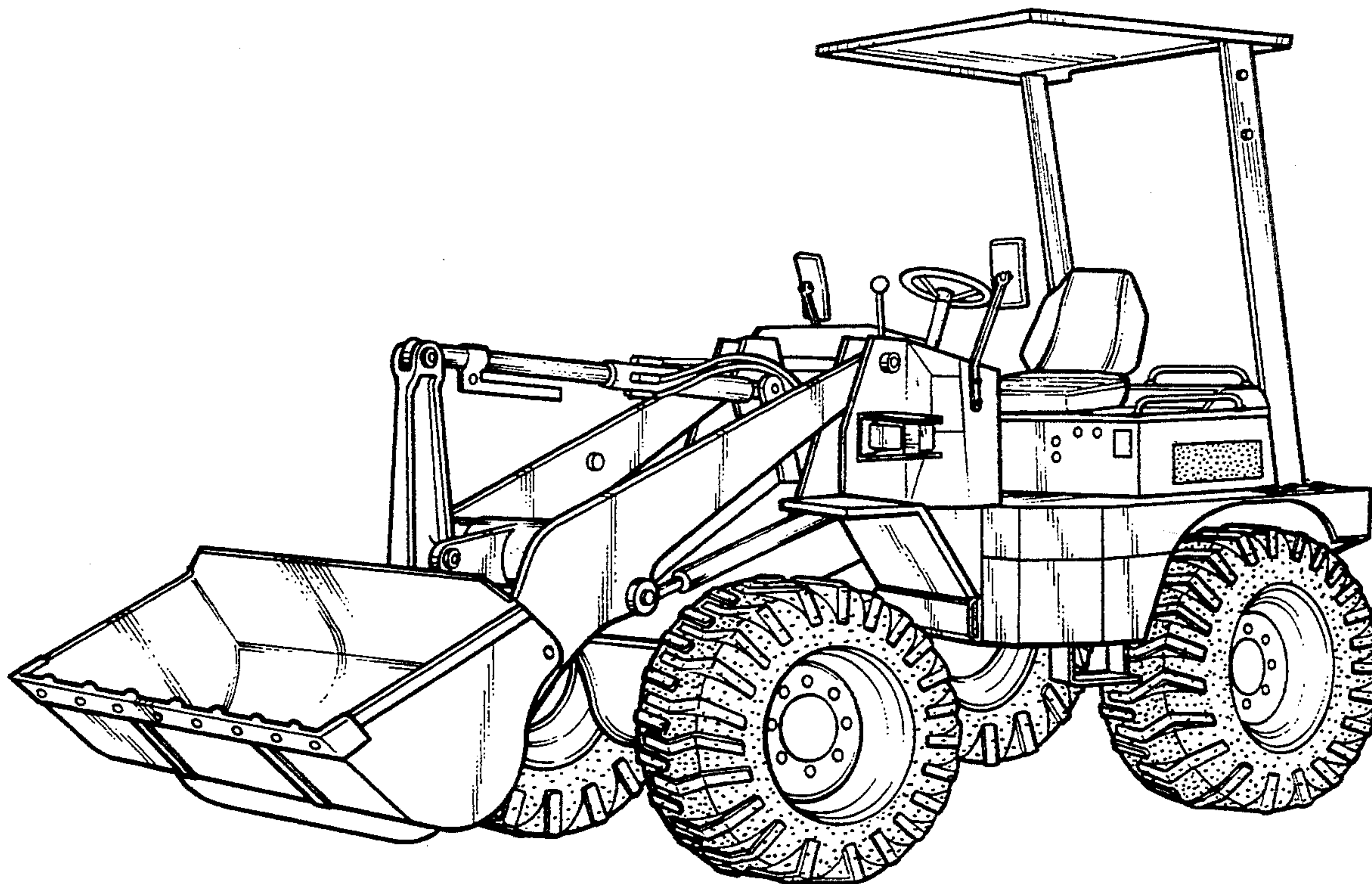
Attorney, Agent, or Firm—Gifford, Krass, Groh,
Sprinkle, Patmore, Anderson & Citkowski

[57] CLAIM

The ornamental design for a wheel loader, as shown
and described.

DESCRIPTION

FIG. 1 is a perspective of the wheel loader of the present invention;
 FIG. 2 is a top plan view thereof;
 FIG. 3 is a right side view thereof;
 FIG. 4 is a left side view thereof;
 FIG. 5 is a rear view thereof; and,
 FIG. 6 is a frontal view thereof.



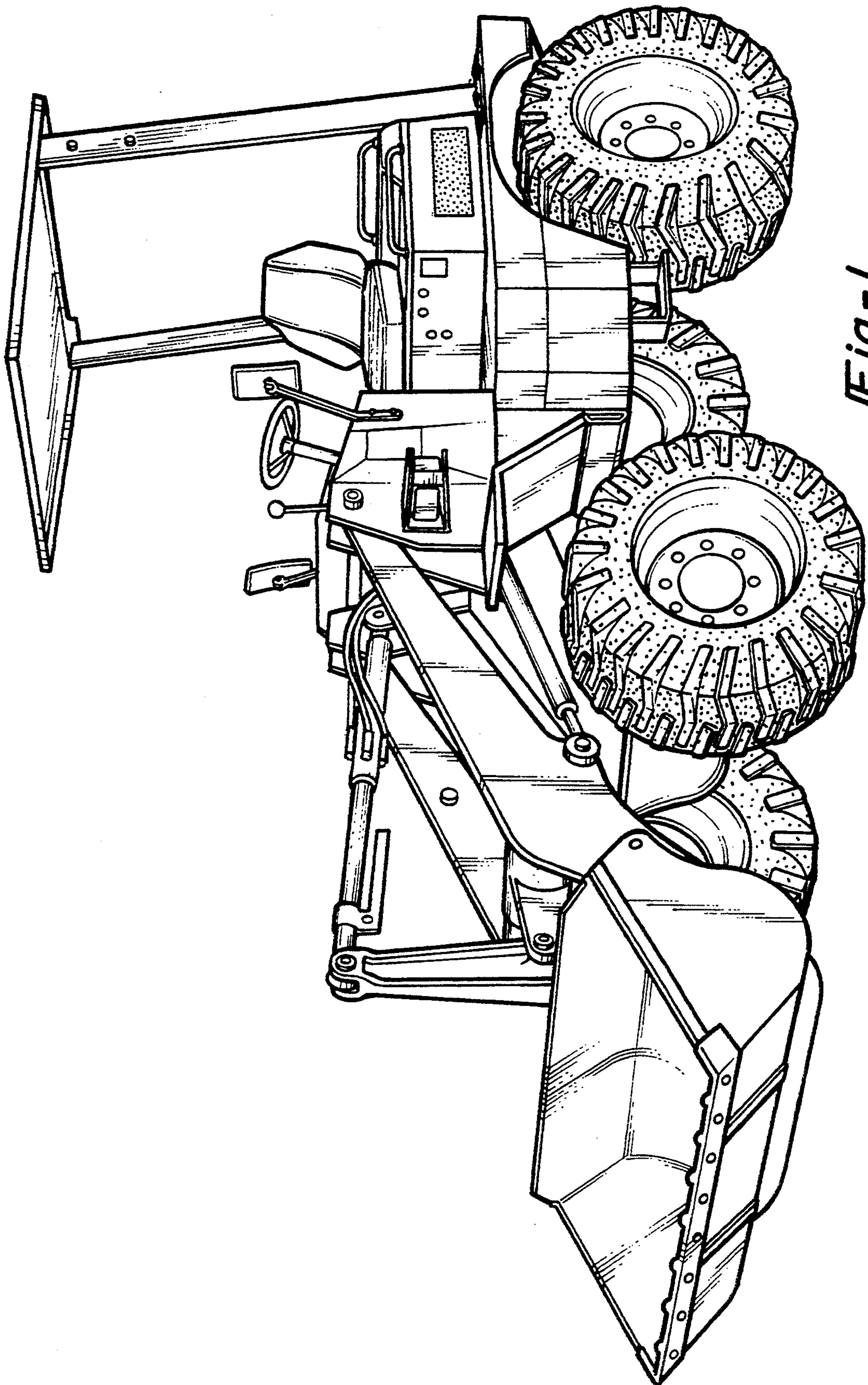


Fig-1

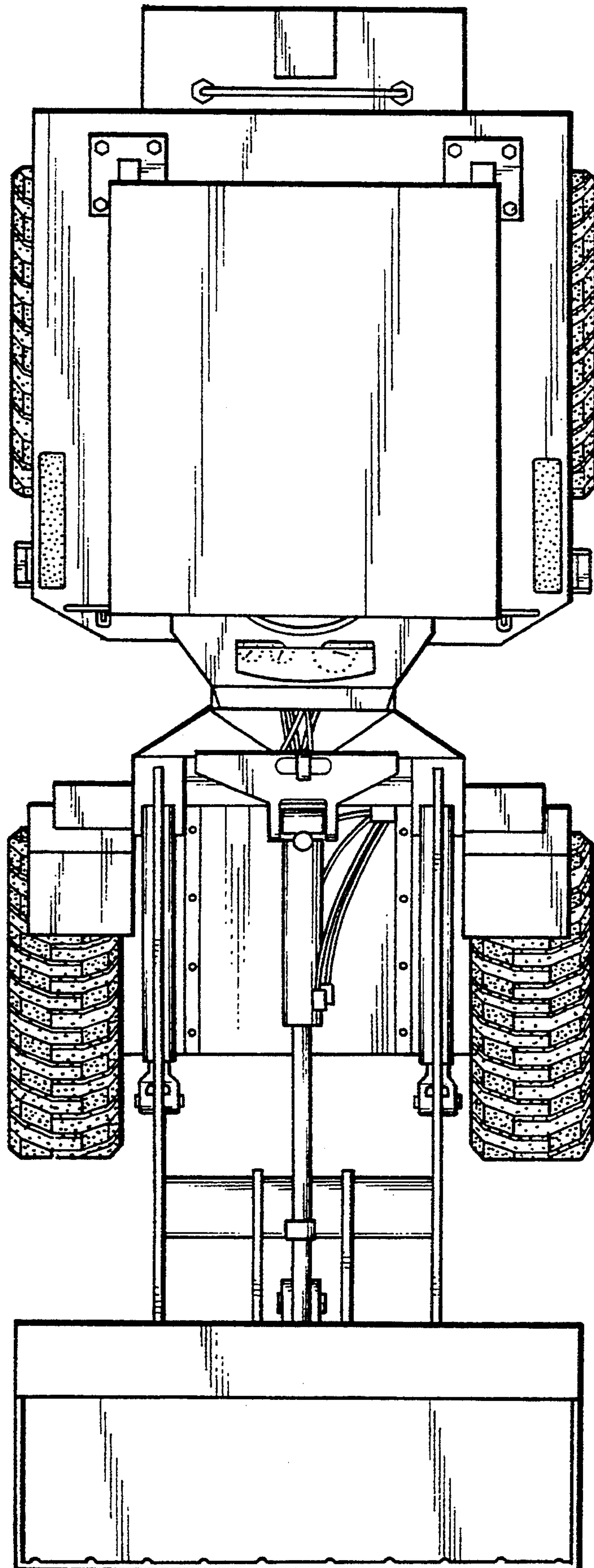
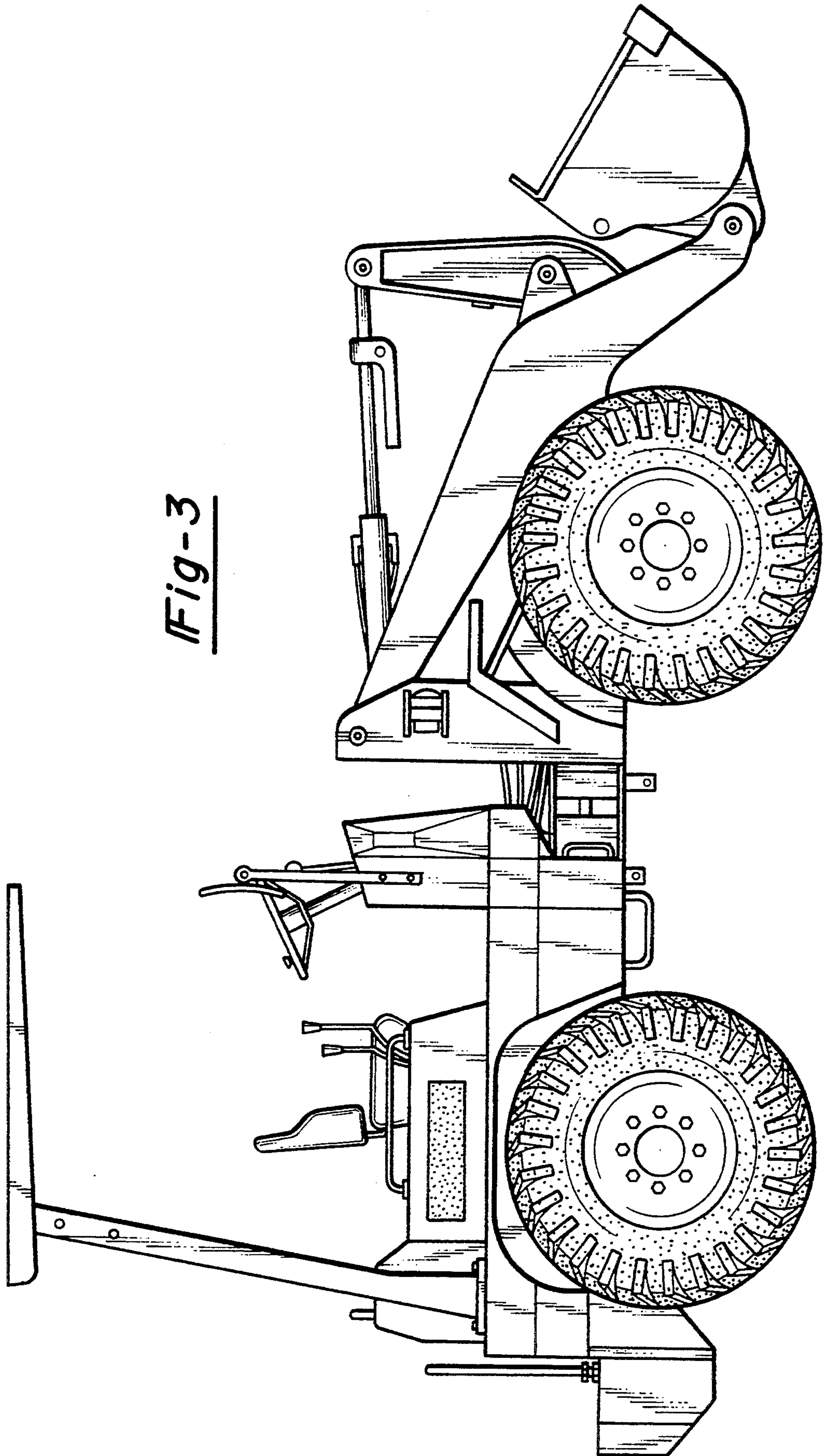


Fig-2

Fig-3



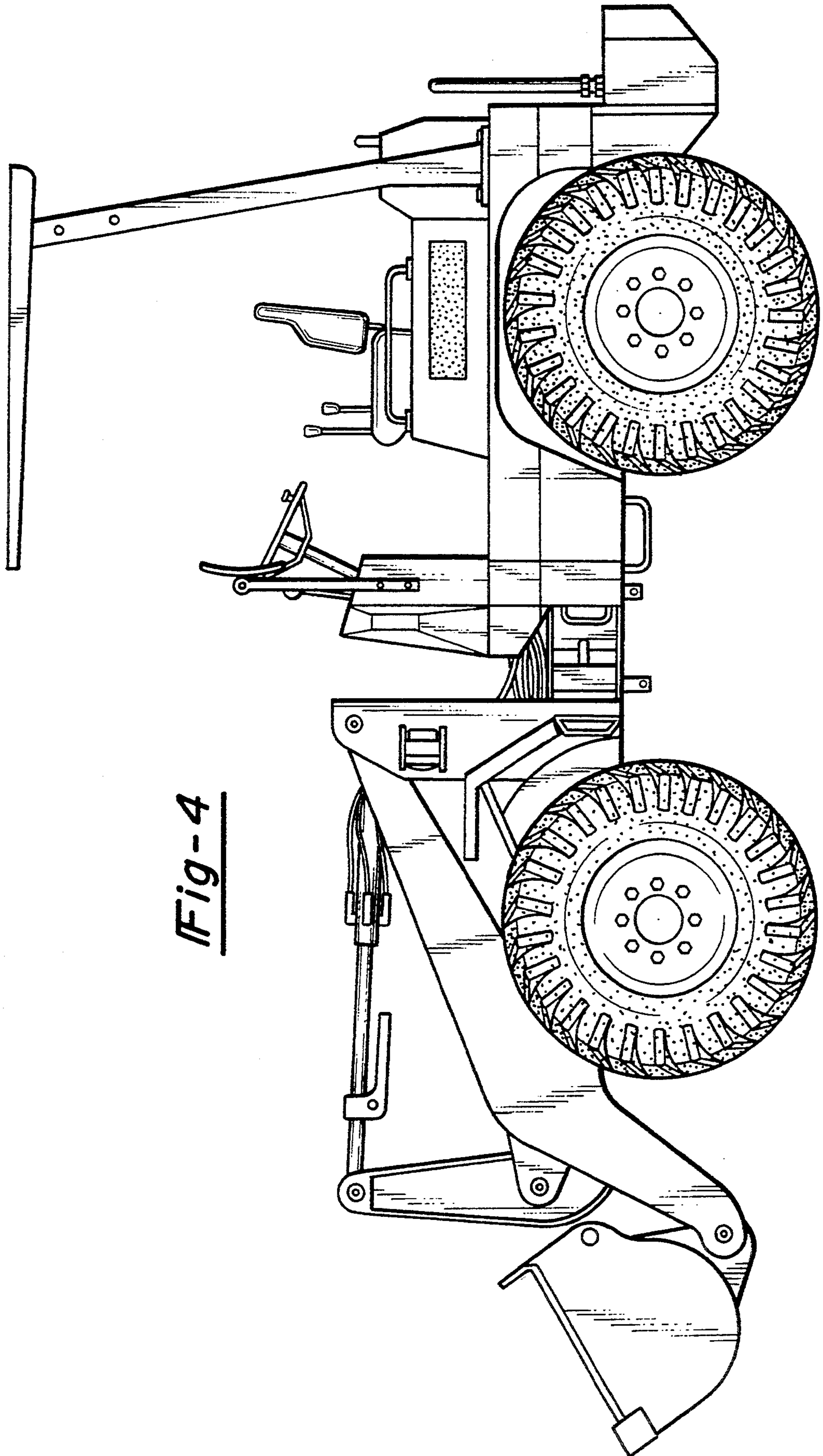


Fig-4

Fig-6

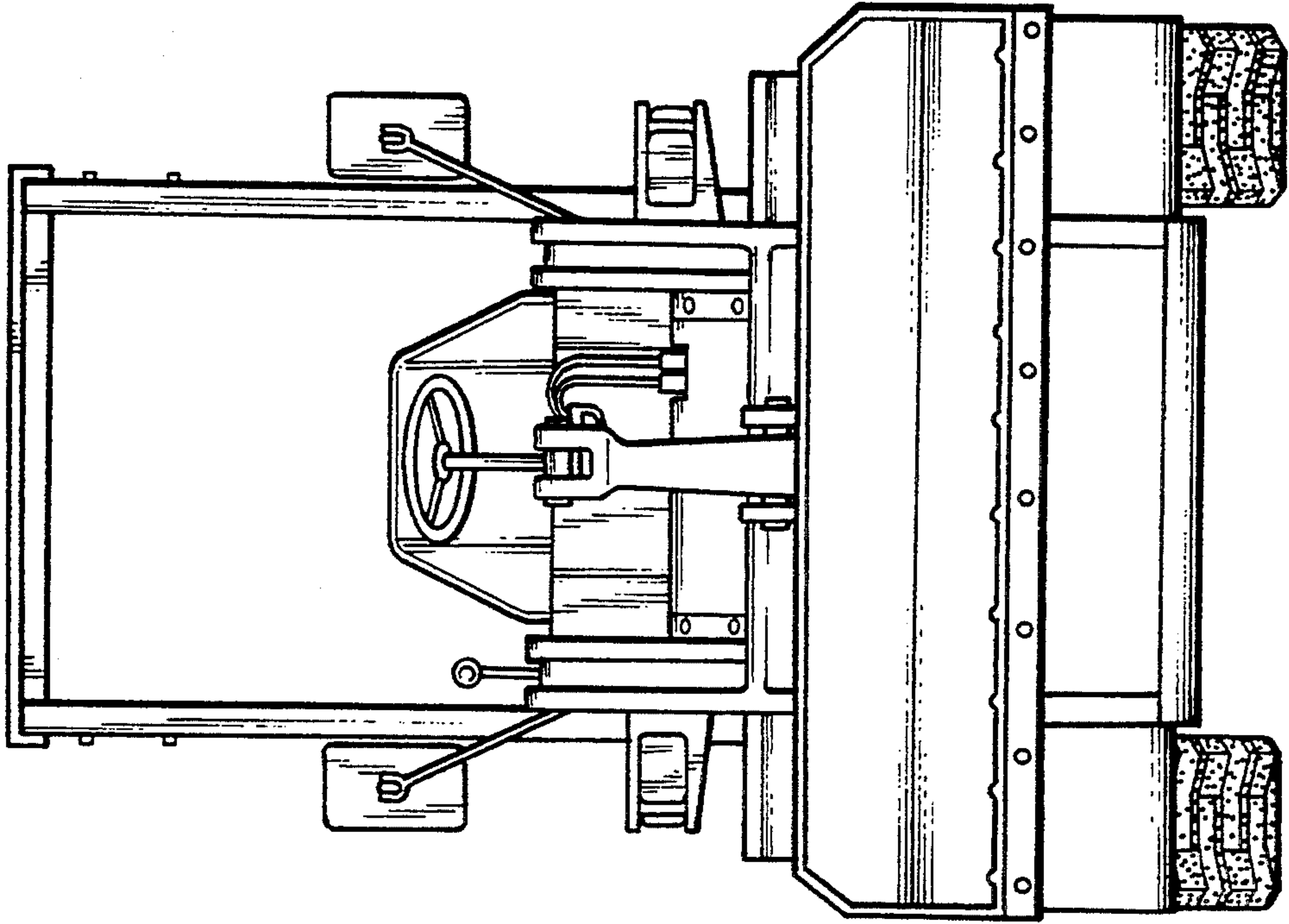


Fig-5

