



US00D358156S

United States Patent [19]

[11] Patent Number: **Des. 358,156**

Bendell

[45] Date of Patent: **** May 9, 1995**

[54] **BUTTERFLY AIR CONTROL VALVE**

[75] Inventor: **James R. Bendell**, Victoria, Australia

[73] Assignee: **Motec Australia Pty Ltd.**, Victoria, Australia

[**] Term: **14 Years**

[21] Appl. No.: **14,434**

[22] Filed: **Oct. 21, 1993**

[30] **Foreign Application Priority Data**

Apr. 22, 1993 [AU] Australia 1170/93

[52] U.S. Cl. **D15/5**

[58] Field of Search D15/1-5;
D23/233, 244; 251/149, 193, 308, 311, 305, 306

[56] **References Cited**

U.S. PATENT DOCUMENTS

44,726 10/1913 Kelly D15/5

D. 222,599 11/1971 Waiand D15/5
D. 250,658 12/1978 Fetty D23/233
2,966,169 12/1960 Reece 251/305
4,822,001 4/1989 Sisk 251/305
4,981,284 1/1991 Imamura et al. 251/305

Primary Examiner—Ralf T. Seifert
Attorney, Agent, or Firm—Walter C. Farley

[57] **CLAIM**

The ornamental design for a butterfly air control valve, as shown and described.

DESCRIPTION

FIG. 1 is a perspective view of the manifold assembly in accordance with the invention;
FIG. 2 is a plan view of the manifold assembly of FIG. 1;
FIG. 3 is a side view of the manifold assembly of FIG. 1; and,
FIG. 4 is a cross-sectional view through section 4—4 of FIG. 2.

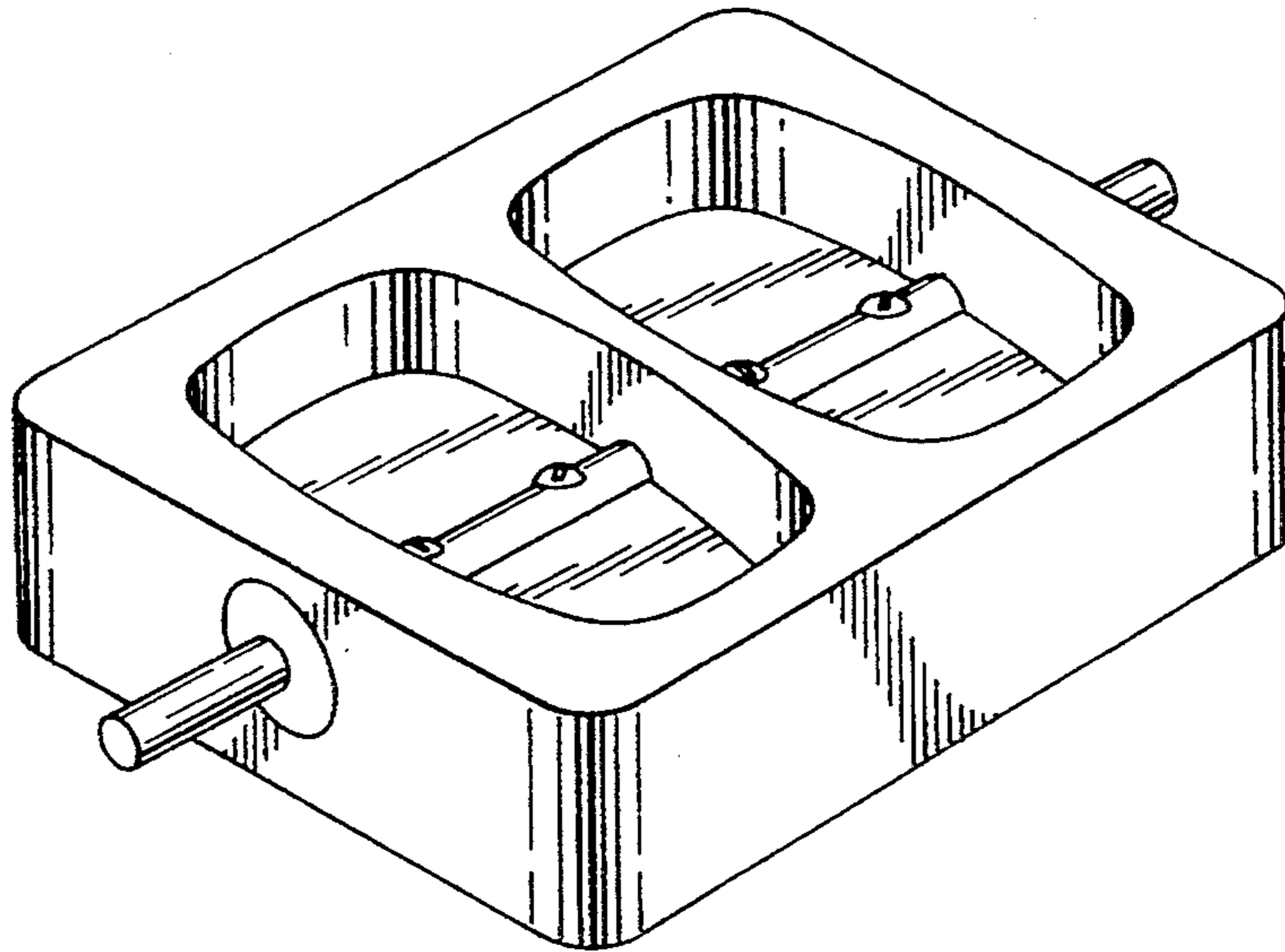


FIG. 1

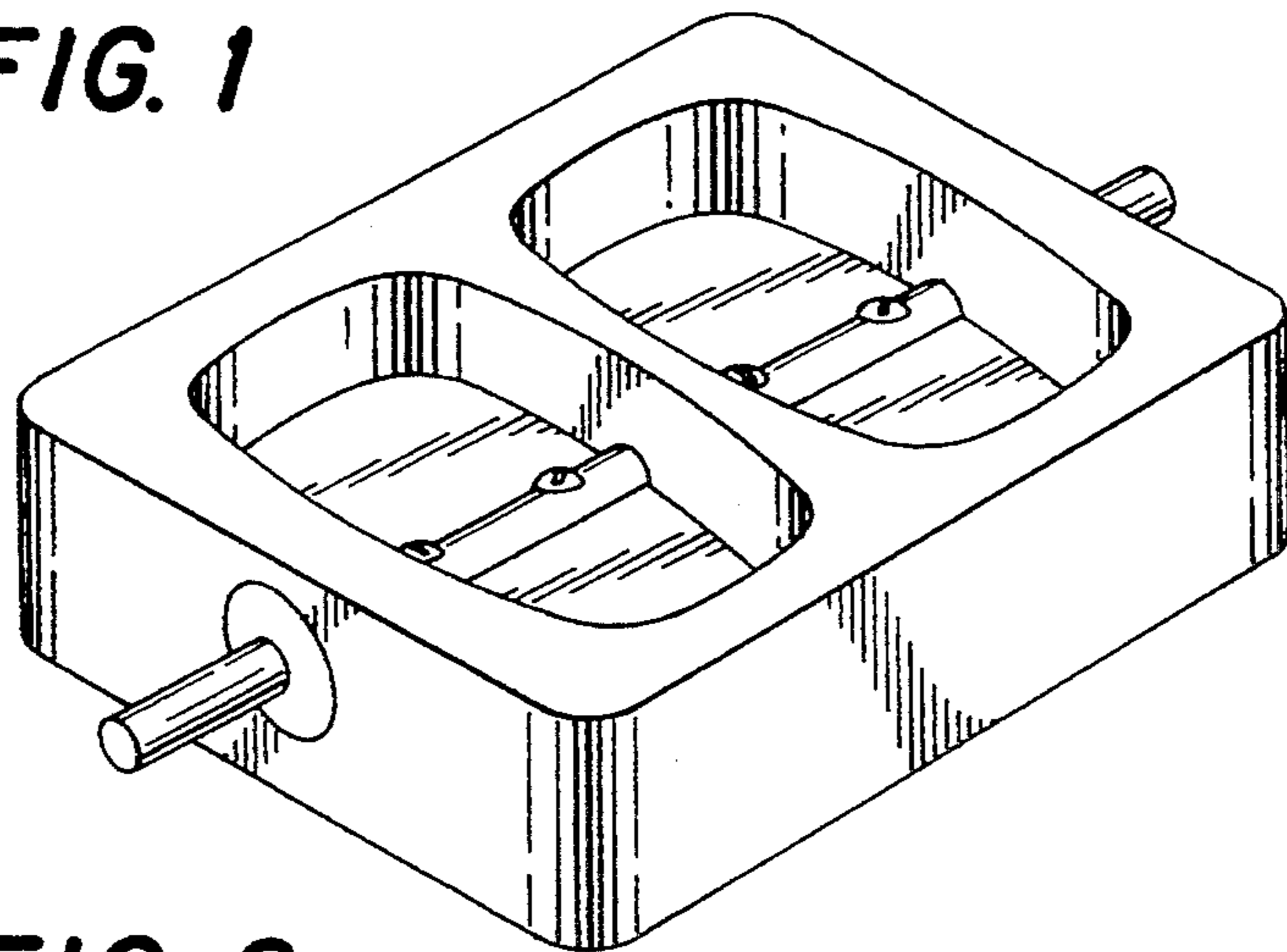


FIG. 2

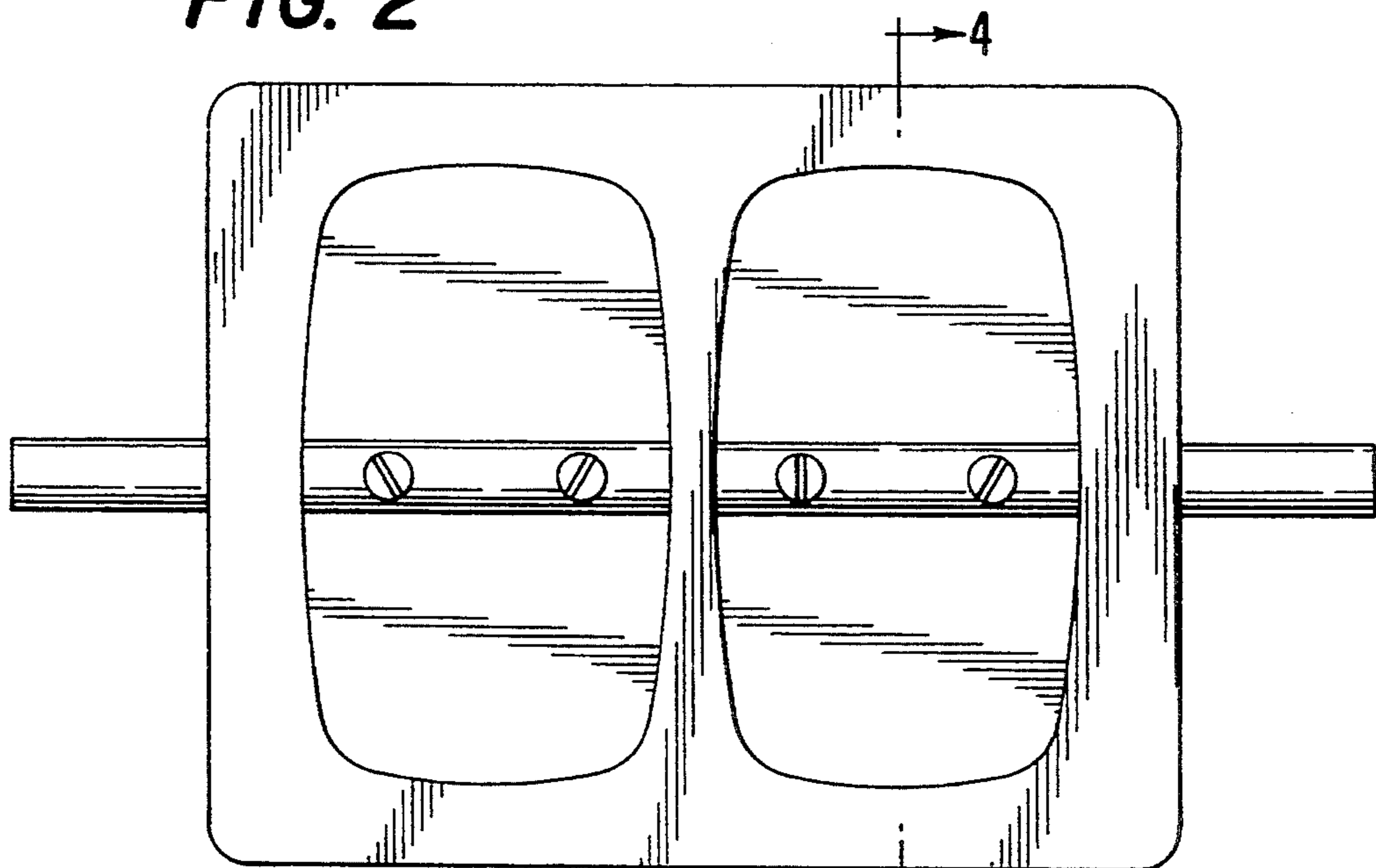


FIG. 3

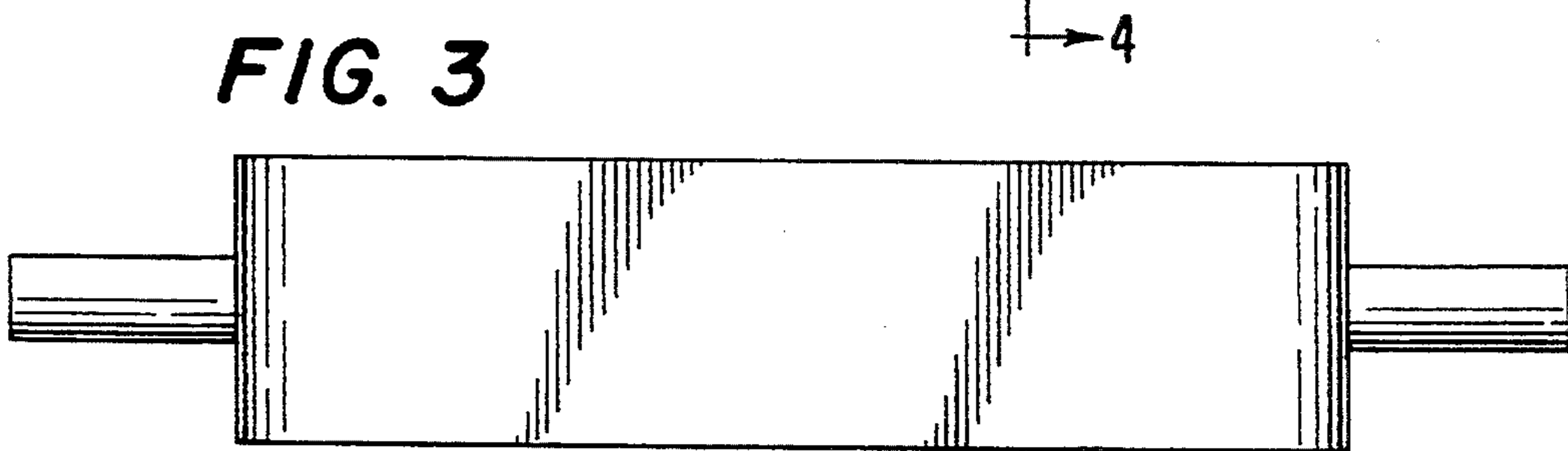


FIG. 4

