



US00D358155S

United States Patent [19]

[11] Patent Number: **Des. 358,155**

Rak et al.

[45] Date of Patent: **** May 9, 1995**

[54] **FRONT HOUSING CONTROL PANEL FOR A RADIO BASE STATION CONTROLLER**

[56]

References Cited

U.S. PATENT DOCUMENTS

D. 168,214	11/1952	Couillard	D14/257
D. 185,731	7/1959	Boldt	D14/257
D. 300,634	4/1989	Dickson	D14/257
D. 305,430	1/1990	Cohen	D14/257

[75] Inventors: **Roman P. Rak**, Delta; **Kenneth N. Lam**, Richmond, both of Canada

Primary Examiner—Prabhakar G. Deshmukh
Assistant Examiner—Dominic Simone
Attorney, Agent, or Firm—Donald B. Southard

[73] Assignee: **Motorola**, Schaumburg, Ill.

[**] Term: **14 Years**

[57] CLAIM

[21] Appl. No.: **6,197**

The ornamental design for a "front housing control panel for a radio base station controller", as shown and described.

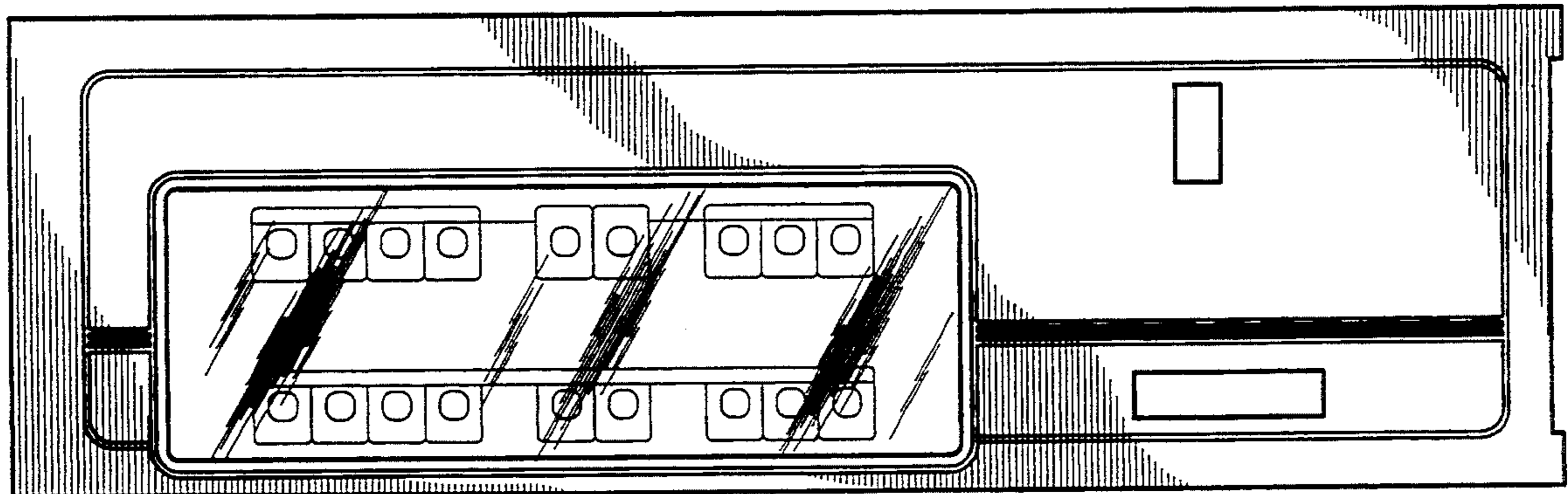
[22] Filed: **Mar. 18, 1993**

DESCRIPTION

[52] U.S. Cl. **D14/257; D14/217**

FIG. 1 is a top, front and left side perspective view of a "front housing control panel for a radio base station controller" showing our new design; and, FIG. 2 is a front elevational view thereof.

[58] Field of Search **D14/124, 125, 159, 217, D14/239, 257, 258, 260, 299; 455/344, 347, 350, 351, 89, 90**



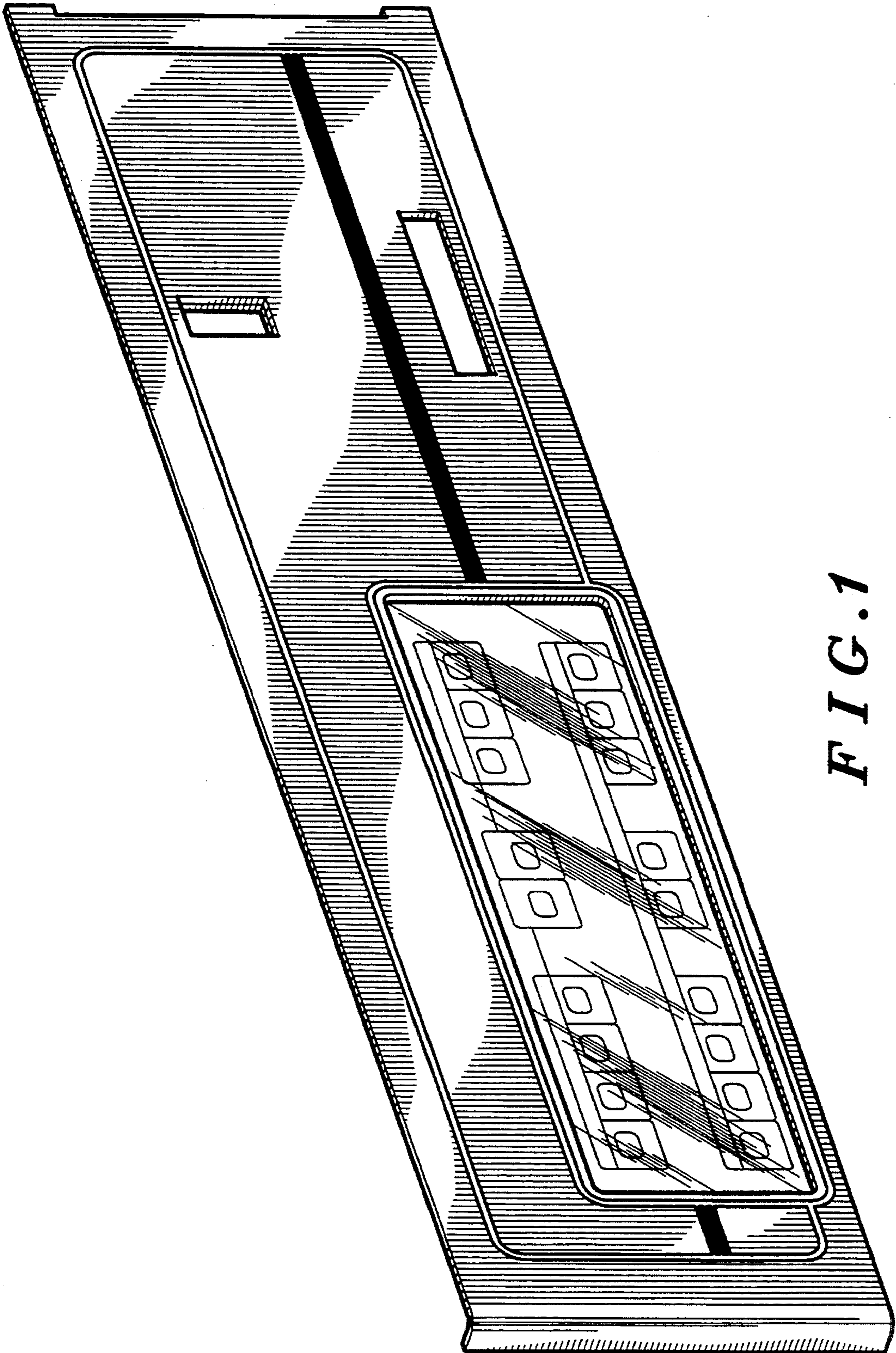


FIG. 1

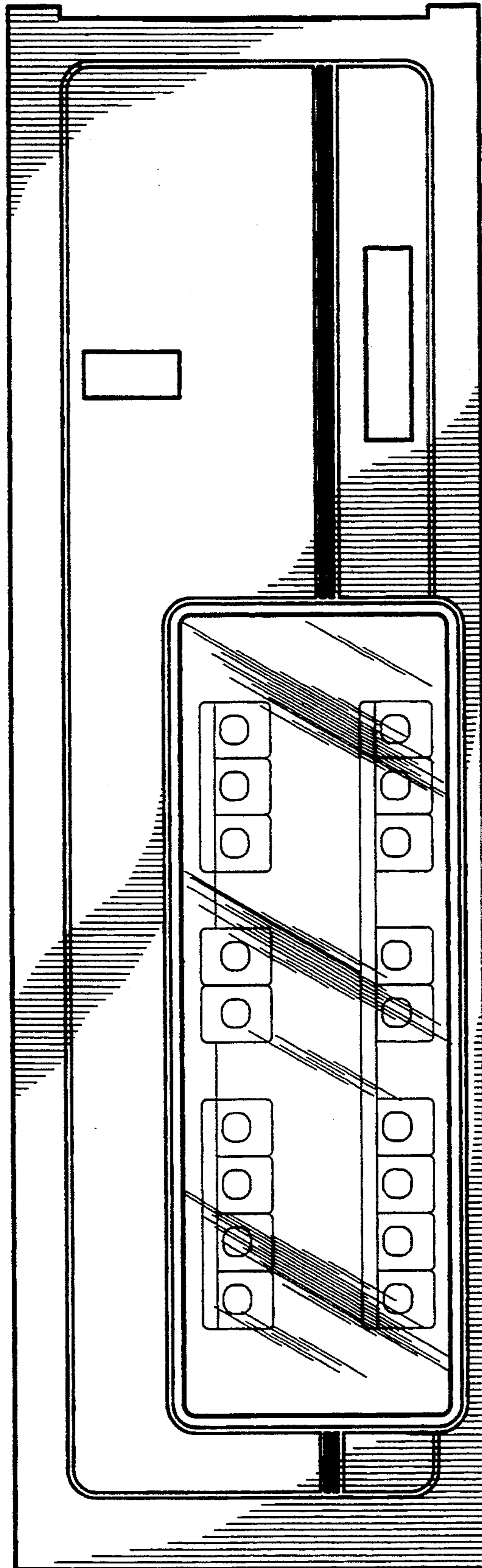


FIG. 2