



US00D358154S

United States Patent [19]
Jondelius

[11] **Patent Number: Des. 358,154**
[45] **Date of Patent: ** May 9, 1995**

[54] **MOUNTING BRACKET FOR MOBILE TELEPHONES**

[76] **Inventor: Björn Jondelius, Riviere, Tewkesbury Road, Cheltenham, Great Britain, GL 51 9 SG**

[**] **Term: 14 Years**

[21] **Appl. No.: 19,106**

[22] **Filed: Feb. 23, 1994**

[30] **Foreign Application Priority Data**

Aug. 23, 1993 [SE] Sweden 931877

[52] **U.S. Cl. D14/253**

[58] **Field of Search D14/140, 142, 137, 138, D14/149, 240, 251, 253; 379/419, 420, 428, 440, 454, 455; D13/107, 108**

[56] **References Cited**

U.S. PATENT DOCUMENTS

- D. 192,247 2/1962 Michals D14/240
- D. 215,303 9/1969 Carpenter D13/108
- D. 216,641 2/1970 Phillips D14/253
- D. 284,958 8/1986 Tsuji D13/108

- D. 289,997 5/1987 Rakocy et al. D13/108
- D. 292,912 11/1987 Muller et al. D13/108
- D. 314,173 1/1991 Soren et al. D13/108
- D. 315,330 3/1991 Soren et al. D13/107
- D. 345,977 4/1994 Nagele D14/149
- 5,253,292 10/1993 Fluder et al. 379/454 X

Primary Examiner—Nelson C. Holtje
Assistant Examiner—Jeffrey Asch
Attorney, Agent, or Firm—Sixbey, Friedman, Leedom & Ferguson; Gerald J. Ferguson, Jr.; David S. Safran

[57] **CLAIM**

The ornamental design for a mounting bracket for mobile telephones, as shown and described.

DESCRIPTION

FIG. 1 is a perspective view showing my design when viewed from above and to one side, the opposite side being the mirror image thereof;
FIG. 2 is a perspective view showing my design when viewed from above and to the right of the end thereof;
FIG. 3 is a perspective view showing my design when viewed from below and to one side; and,
FIG. 4 is an elevational view of the end of my design at the left in FIGS. 1-3.

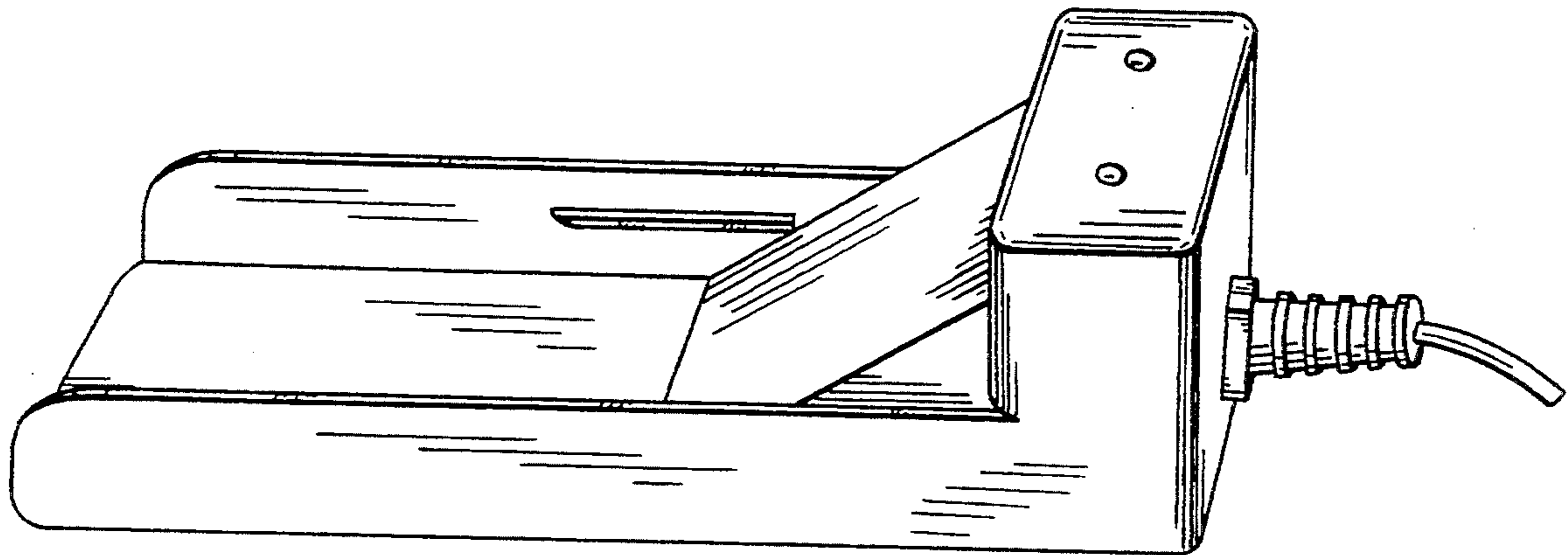


FIG. 1

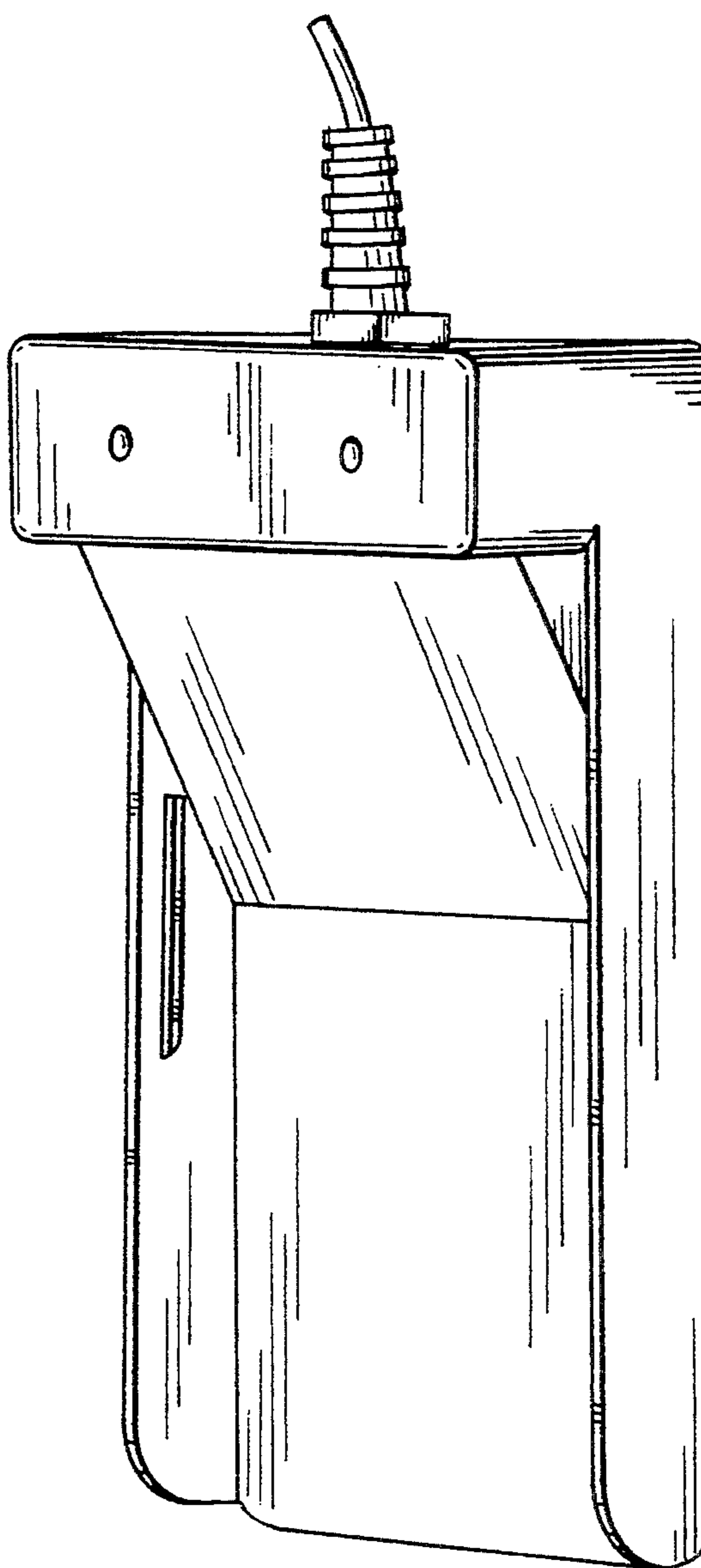


FIG. 2

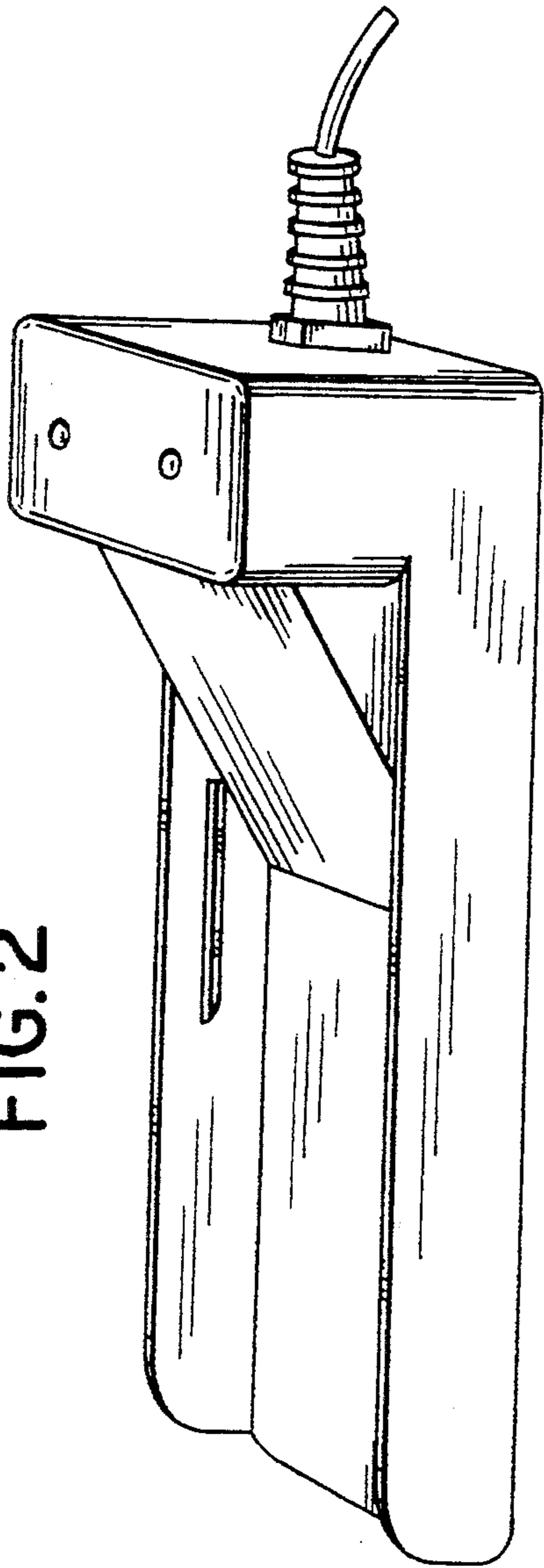


FIG. 3

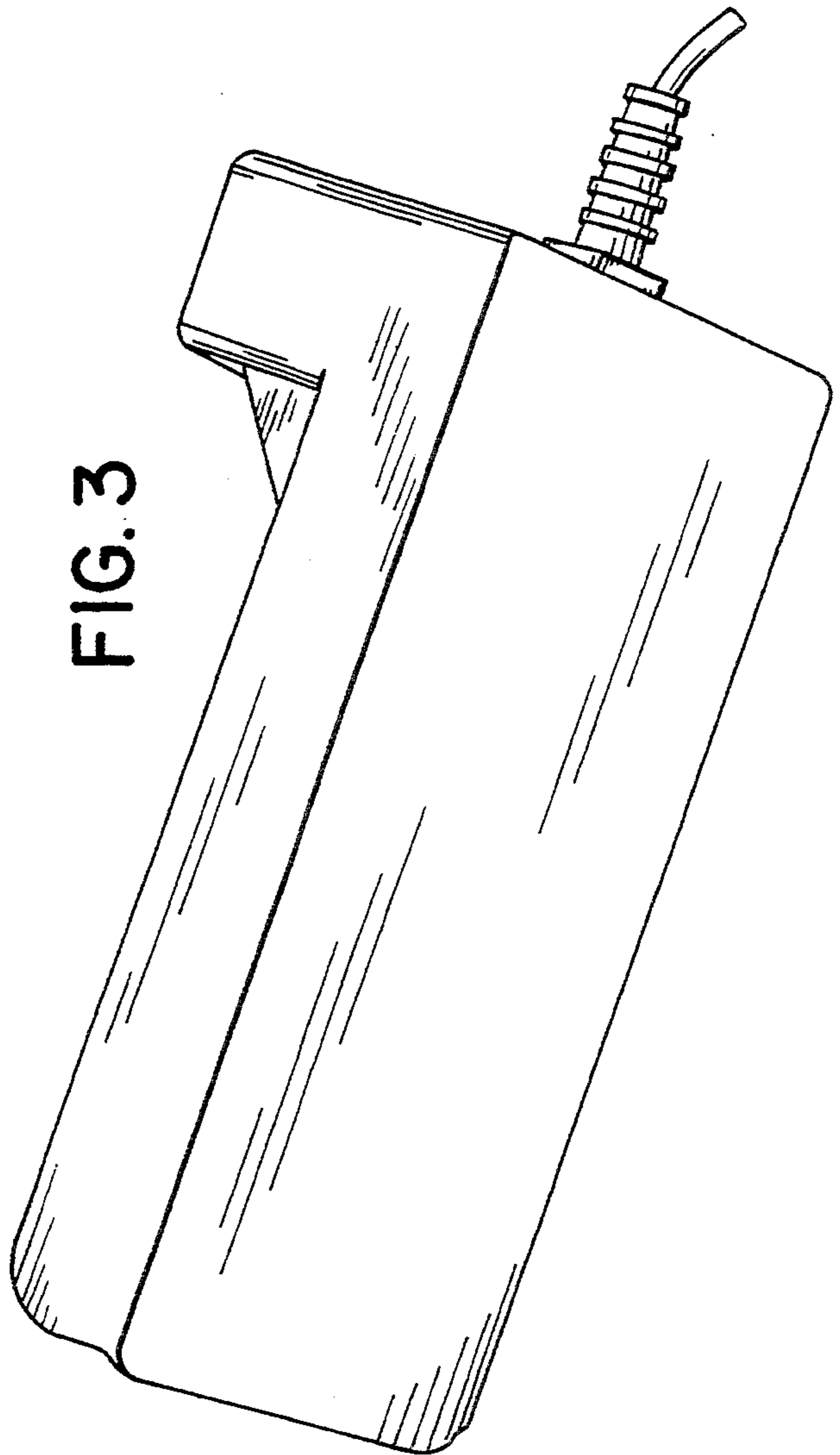


FIG. 4

