



US00D358152S

United States Patent [19]

[11] Patent Number: **Des. 358,152**

Ito et al.

[45] Date of Patent: **** May 9, 1995**

[54] **REMOTE CONTROLLER FOR VIDEO TAPE RECORDER**

[75] Inventors: **Masafumi Ito, Tokyo; Shigeru Hasegawa, Kodaira; Katsuhiko Takashima, Urawa; Yasunobu Shimizu, Tokyo, all of Japan**

[73] Assignee: **Teac Corporation, Tokyo, Japan**

[**] Term: **14 Years**

[21] Appl. No.: **15,889**

[22] Filed: **Dec. 1, 1993**

[30] **Foreign Application Priority Data**

Jun. 2, 1993 [JP] Japan 5-16274

[52] U.S. Cl. **D14/218; D13/168**

[58] Field of Search D14/218, 124, 17, 299, D14/100; D13/168; D18/6-7, 11; D10/106, 104; 455/151.1, 352-355; 348/734

[56] **References Cited**

U.S. PATENT DOCUMENTS

| | | | | |
|------------|---------|------------------|-------|-----------|
| D. 186,075 | 9/1959 | Ford, II | | D13/168 |
| D. 261,641 | 11/1981 | Uzzell | | D13/168 |
| 4,375,651 | 3/1983 | Templin et al. | | 348/734 X |
| 4,943,868 | 7/1990 | Yoshinaga et al. | | D18/6 X |

OTHER PUBLICATIONS

Stereo Review, Nov. 1985, p. 66, (Canon Control Unit).

Primary Examiner—Theodore M. Shooman

Assistant Examiner—Cheri Cohen

Attorney, Agent, or Firm—Michael N. Meller

[57] **CLAIM**

The ornamental design for a remote controller for video tape recorder, as shown and described.

DESCRIPTION

FIG. 1 is a front view of remote controller for video tape recorder showing our new design;

FIG. 2 is a bottom view thereof;

FIG. 3 is a plan view thereof;

FIG. 4 is a rear view thereof;

FIG. 5 is a left side view thereof;

FIG. 6 is a right side view thereof; and,

FIG. 7 is a perspective view thereof.

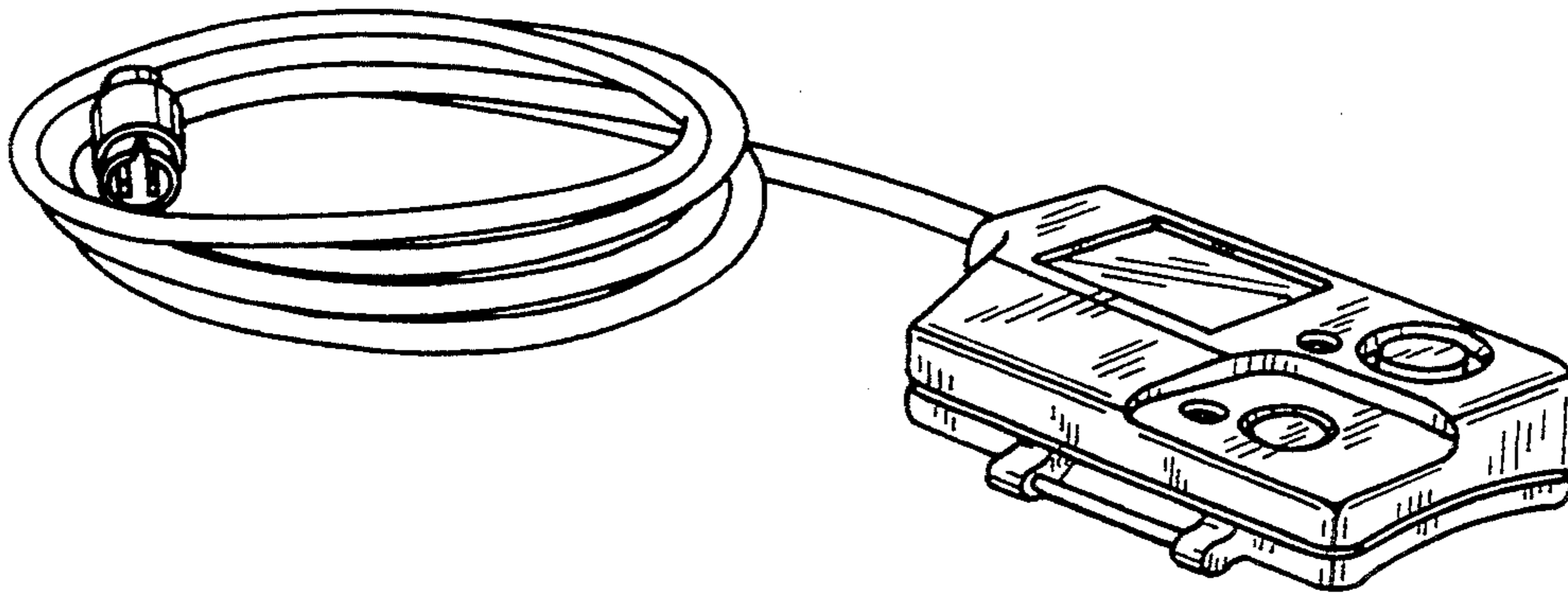


FIG. 1

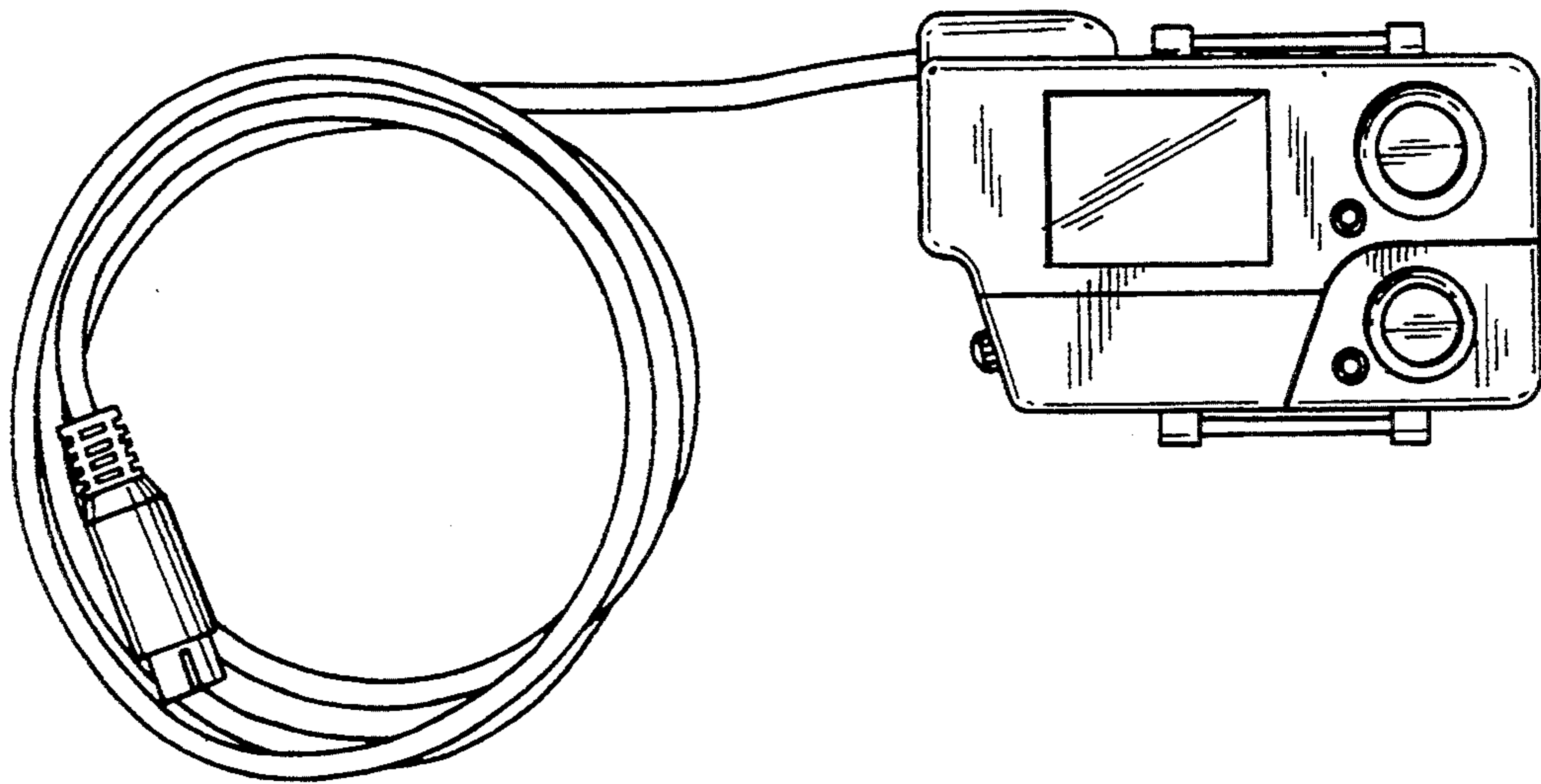


FIG. 2

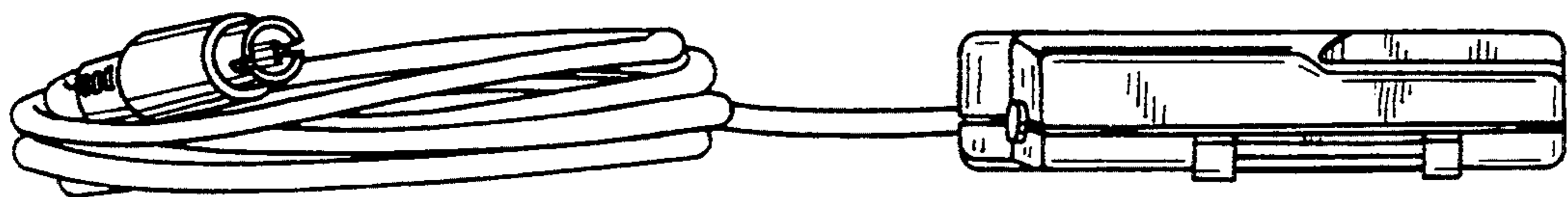


FIG. 3

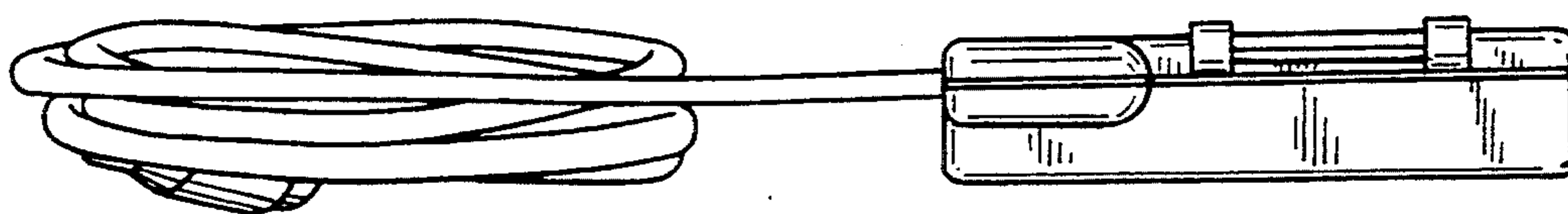


FIG. 4

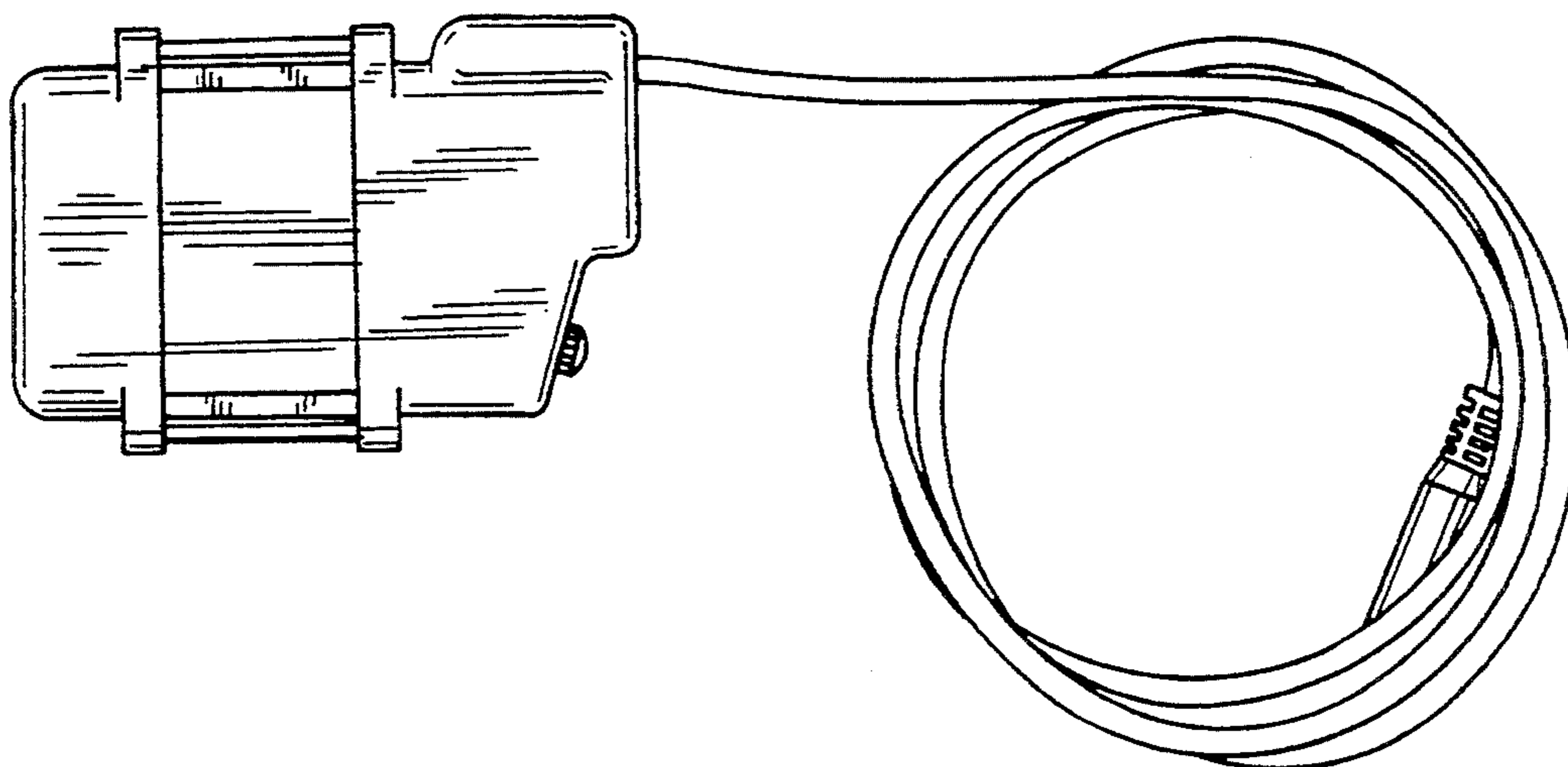


FIG. 5



FIG. 6

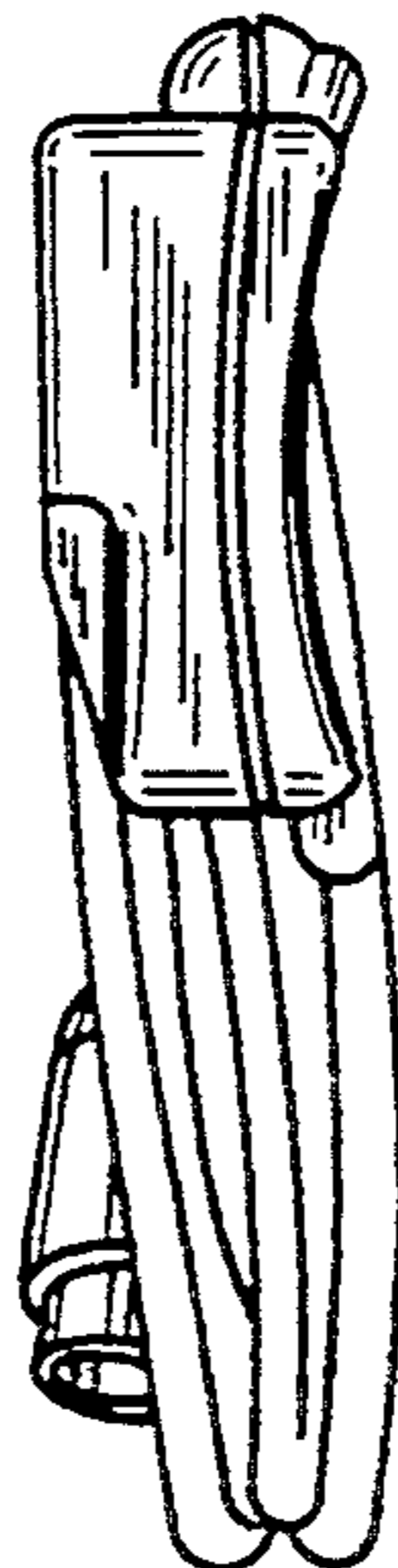


FIG. 7

