



US00D358151S

United States Patent [19]

Lewis, Jr. et al.

[11] Patent Number: Des. 358,151

[45] Date of Patent: ** May 9, 1995

- [54] 3-D AUDIO HEADSET
- [75] Inventors: Charles R. Lewis, Jr.; Dan Harden, both of Palo Alto; Sonja Schiefer, San Francisco, all of Calif.
- [73] Assignee: Sonics Associates Incorporated, Birmingham, Ala.
- [**] Term: 14 Years
- [21] Appl. No.: 23,626
- [22] Filed: May 27, 1994
- [52] U.S. Cl. D14/205
- [58] Field of Search D14/192, 205, 206, 223; D16/300, 304, 309, 311-313; D19/60; D21/240; D29/109-110; 381/25; 434/38, 40, 44

- D. 351,622 10/1994 Holmes D21/240
- 3,949,490 4/1976 Derderian et al. 434/44
- 4,727,599 2/1988 Rappaport et al. D14/192 X

Primary Examiner—Terry A. Wallace
Assistant Examiner—Nanda Bondade
Attorney, Agent, or Firm—Ross, Clapp, Korn & Montgomery

[57] CLAIM

The ornamental design for a 3-D audio headset, as shown and described.

DESCRIPTION

FIG. 1 is a perspective view of a 3-D audio headset showing our new design;
 FIG. 2 is a right side elevational view thereof;
 FIG. 3 is a left side elevational view thereof;
 FIG. 4 is a front elevational view thereof;
 FIG. 5 is a rear elevational view thereof;
 FIG. 6 is a top plan view thereof; and,
 FIG. 7 is a bottom plan view thereof.

- [56] **References Cited**
- U.S. PATENT DOCUMENTS
- D. 284,080 6/1986 Swezey et al. D14/192

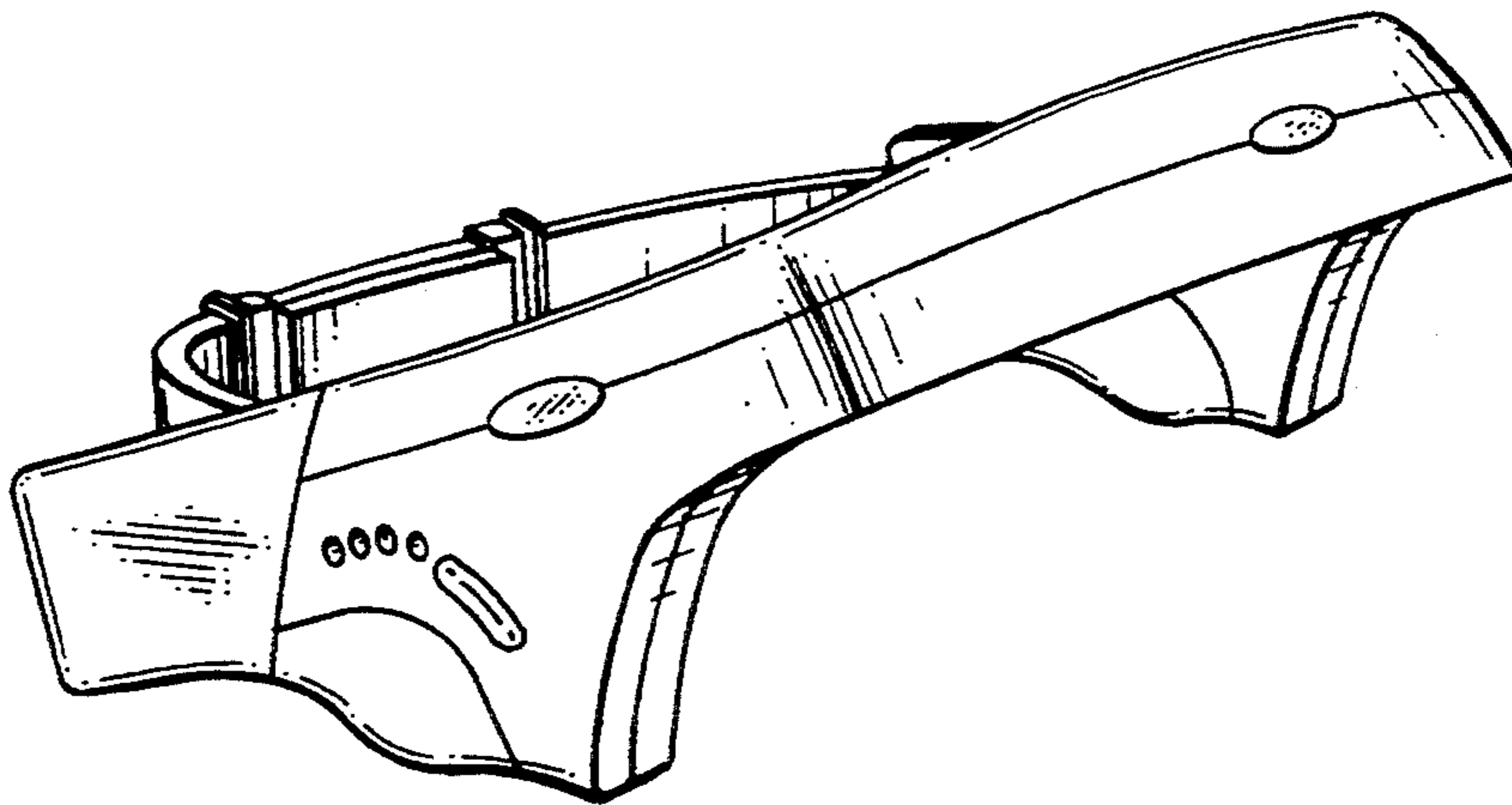


FIG. 1

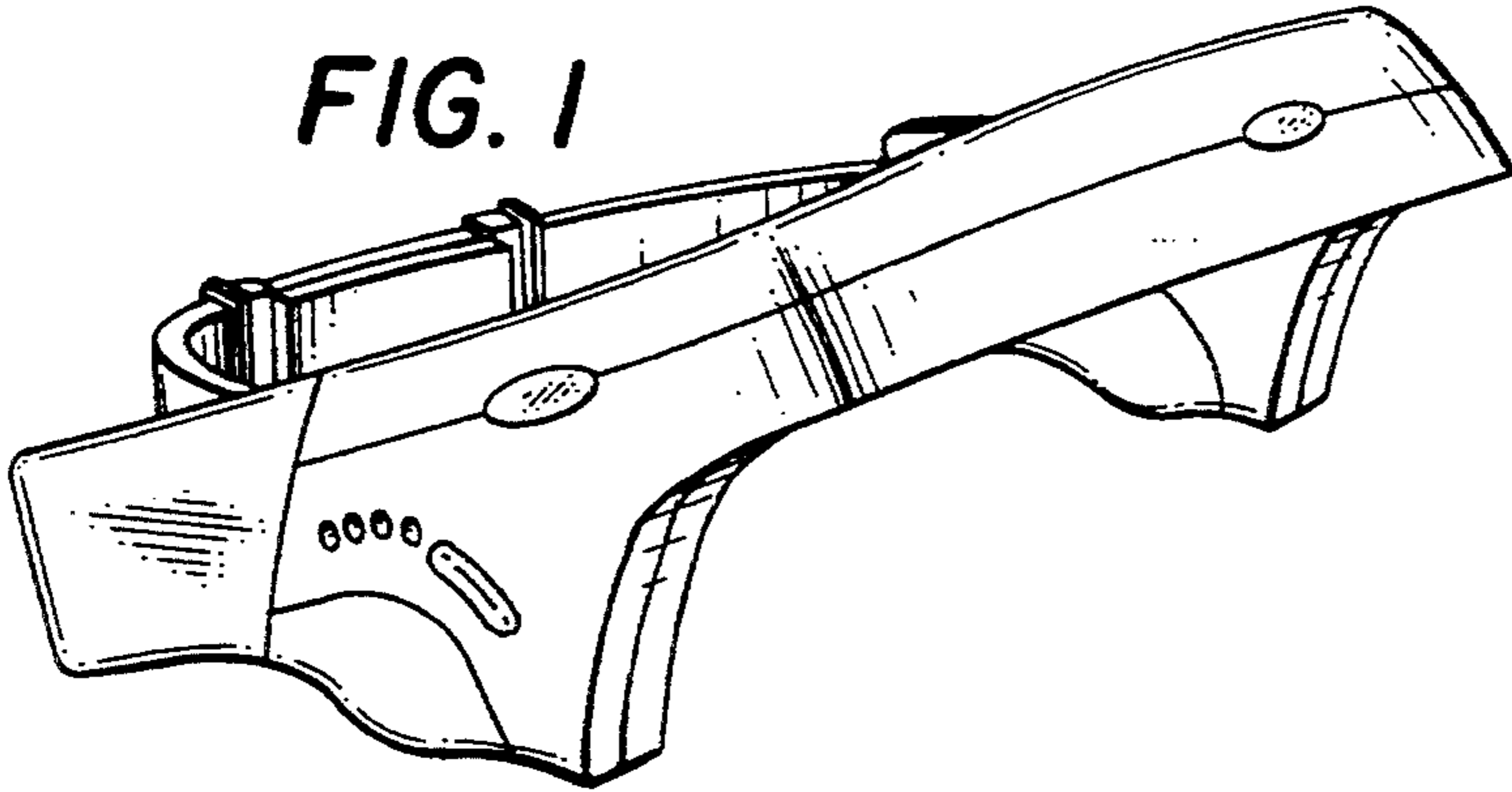


FIG. 2

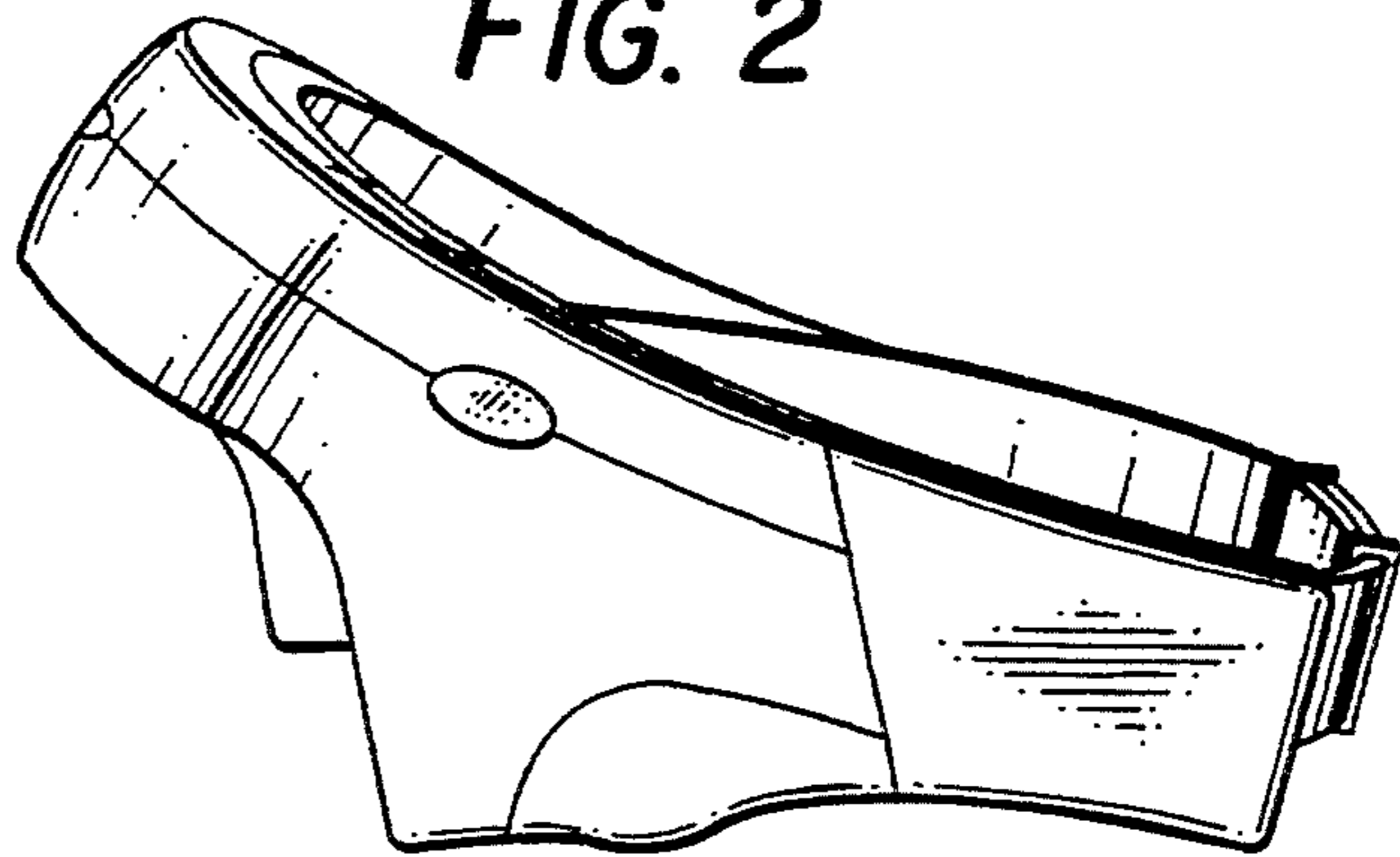


FIG. 3

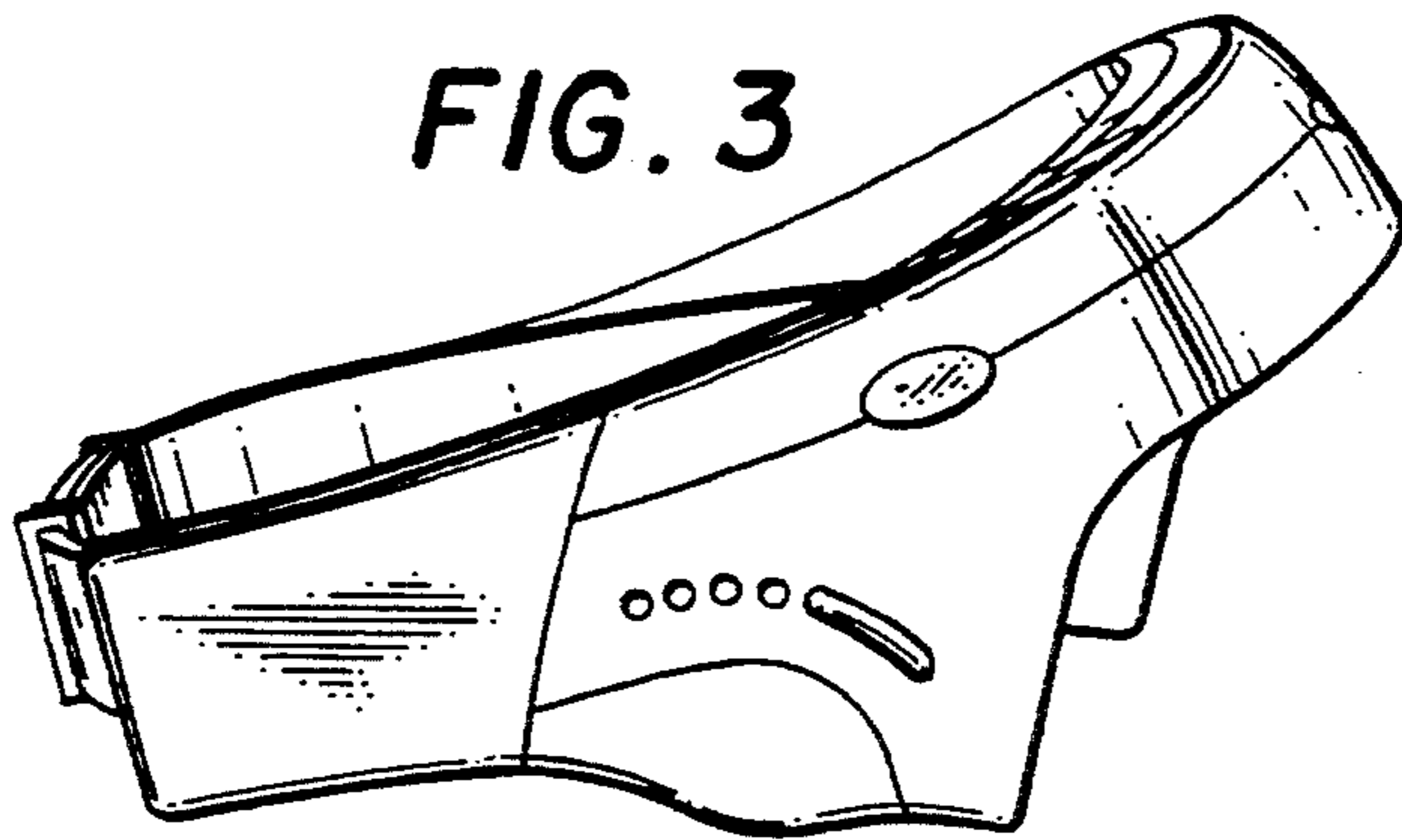


FIG. 4

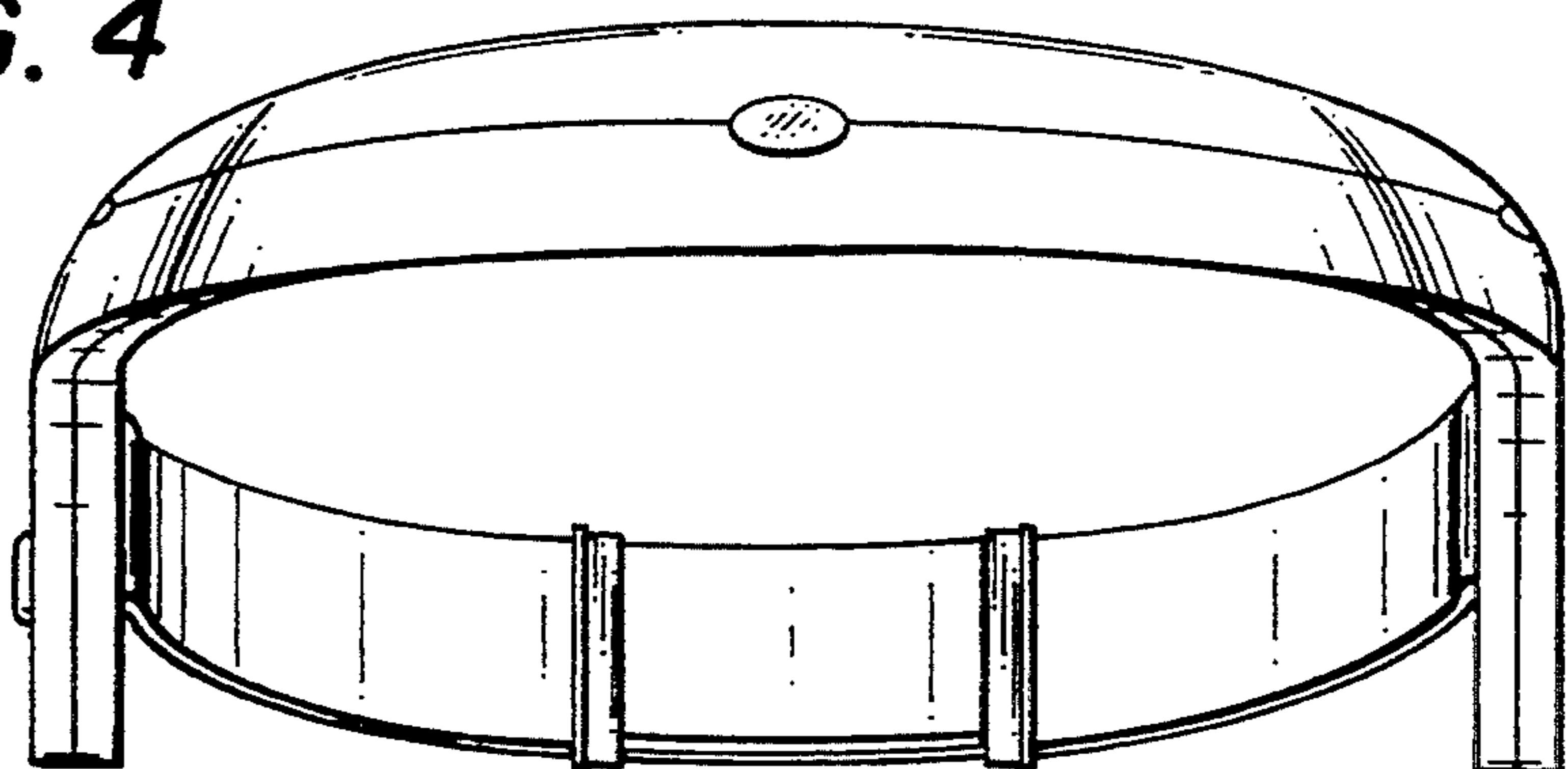


FIG. 5

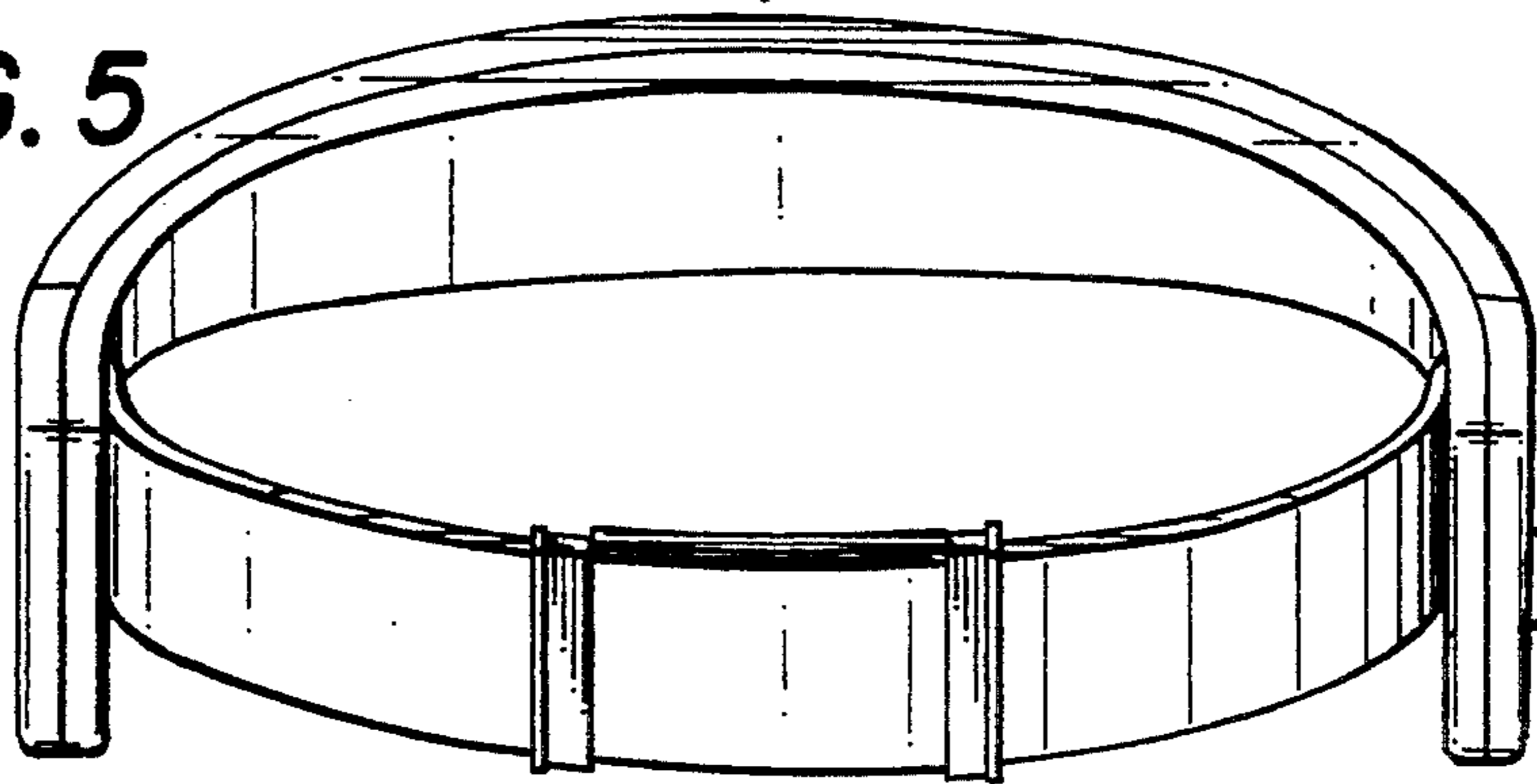


FIG. 6

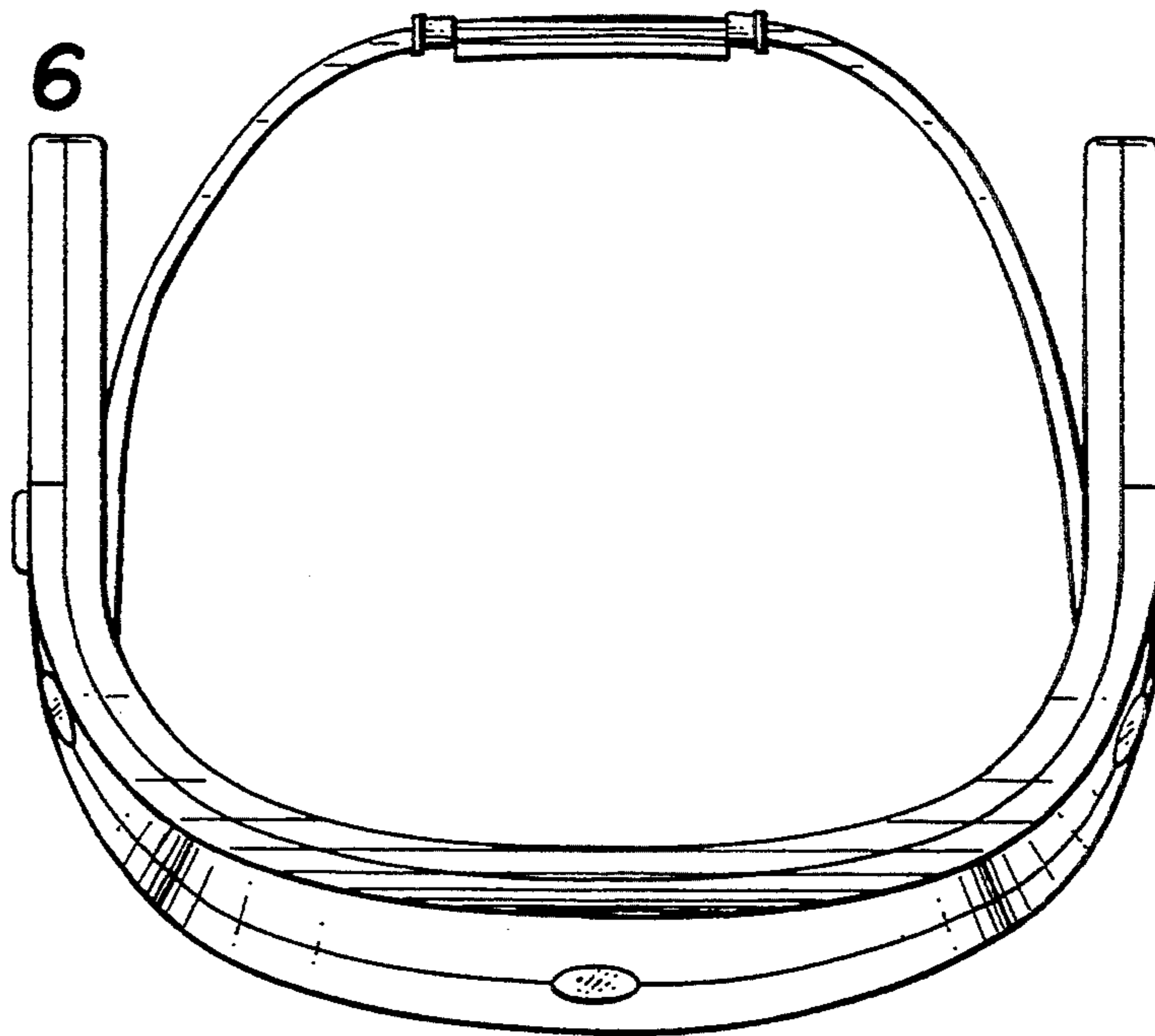


FIG. 7

