



US00D358150S

United States Patent [19]

[11] Patent Number: **Des. 358,150**

Lewis, Jr. et al.

[45] Date of Patent: **** May 9, 1995**

- [54] **COMBINED 3D AUDIO HEADSET AND GLASSES**
- [75] Inventors: **Charles R. Lewis, Jr.; Dan Harden,** both of Palo Alto; **Sonja Schiefer,** San Francisco, all of Calif.
- [73] Assignee: **Sonics Associates Incorporated,** Birmingham, Ala.
- [**] Term: **14 Years**
- [21] Appl. No.: **23,619**
- [22] Filed: **May 27, 1994**
- [52] U.S. Cl. **D14/205; D16/300; D16/311**
- [58] Field of Search **D14/192, 205, 206, 223; D16/300, 304, 309, 311-313; D19/60; D21/240; D29/109-110; 2/12-14, 426, 439, 448, 449, 452; 381/25; 434/38, 40, 44**

2,755,803	7/1956	Dorsey	2/426 X
4,349,815	9/1982	Spooner	434/44 X
4,556,995	12/1985	Yamamoto	2/439
4,910,806	3/1990	Baker et al.	2/452

FOREIGN PATENT DOCUMENTS

2259213 3/1993 United Kingdom 434/38

Primary Examiner—Terry A. Wallace
Assistant Examiner—Nanda Bondade
Attorney, Agent, or Firm—Gregory M. Howison

[57] CLAIM

The ornamental design for combined 3D audio headset and glasses, as shown and described.

DESCRIPTION

FIG. 1 is a perspective view of a combined 3D audio headset and glasses showing our new design; FIG. 2 is a left side elevational view thereof; FIG. 3 is a right side elevational view thereof; FIG. 4 is a front elevational view thereof; FIG. 5 is a rear elevational view thereof; FIG. 6 is a top plan view thereof; and, FIG. 7 is a bottom plan view thereof.

[56] References Cited

U.S. PATENT DOCUMENTS

D. 322,797	12/1991	Kuypers et al.	D16/311
1,288,140	12/1918	Nixson	2/439

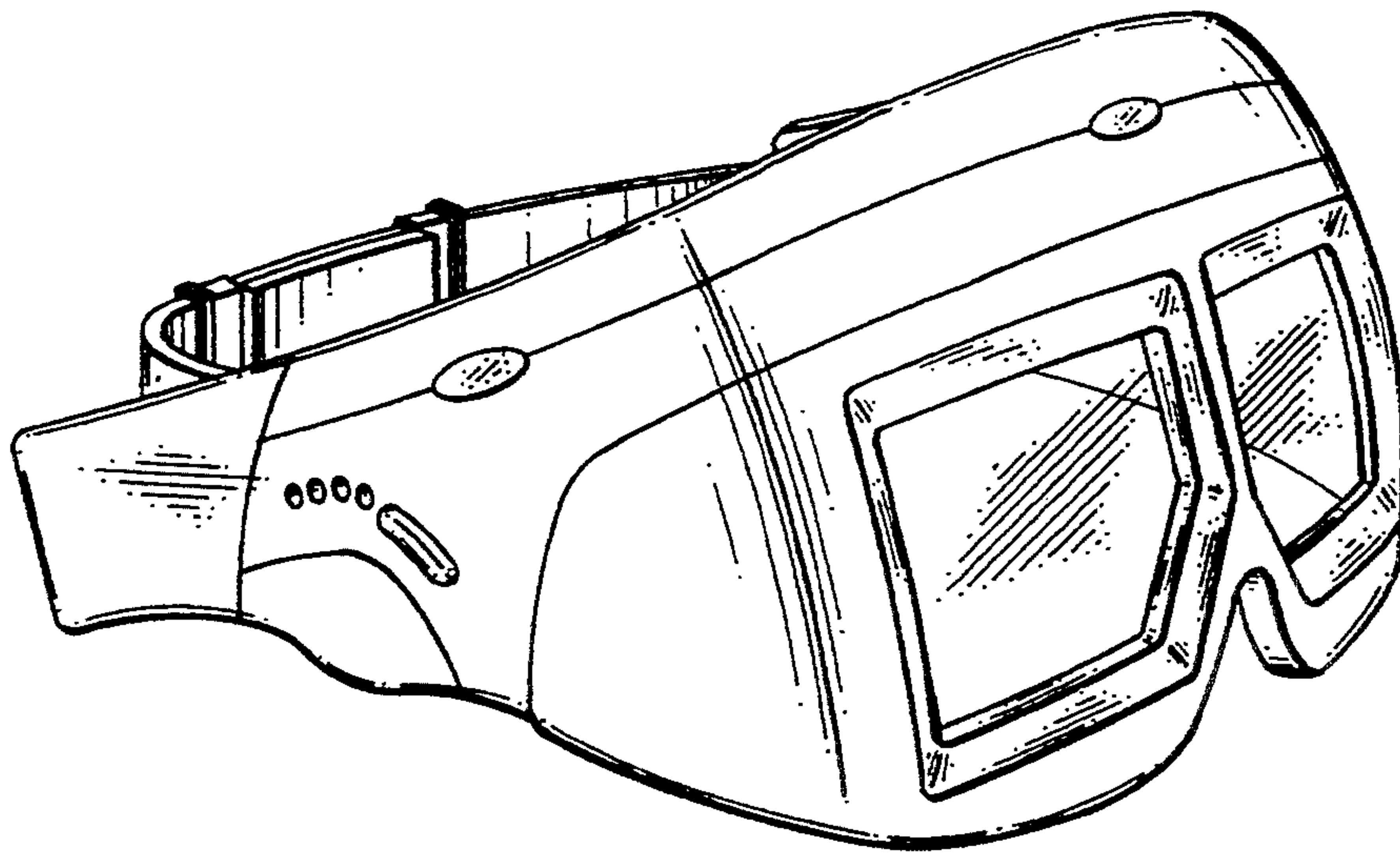


FIG. 1

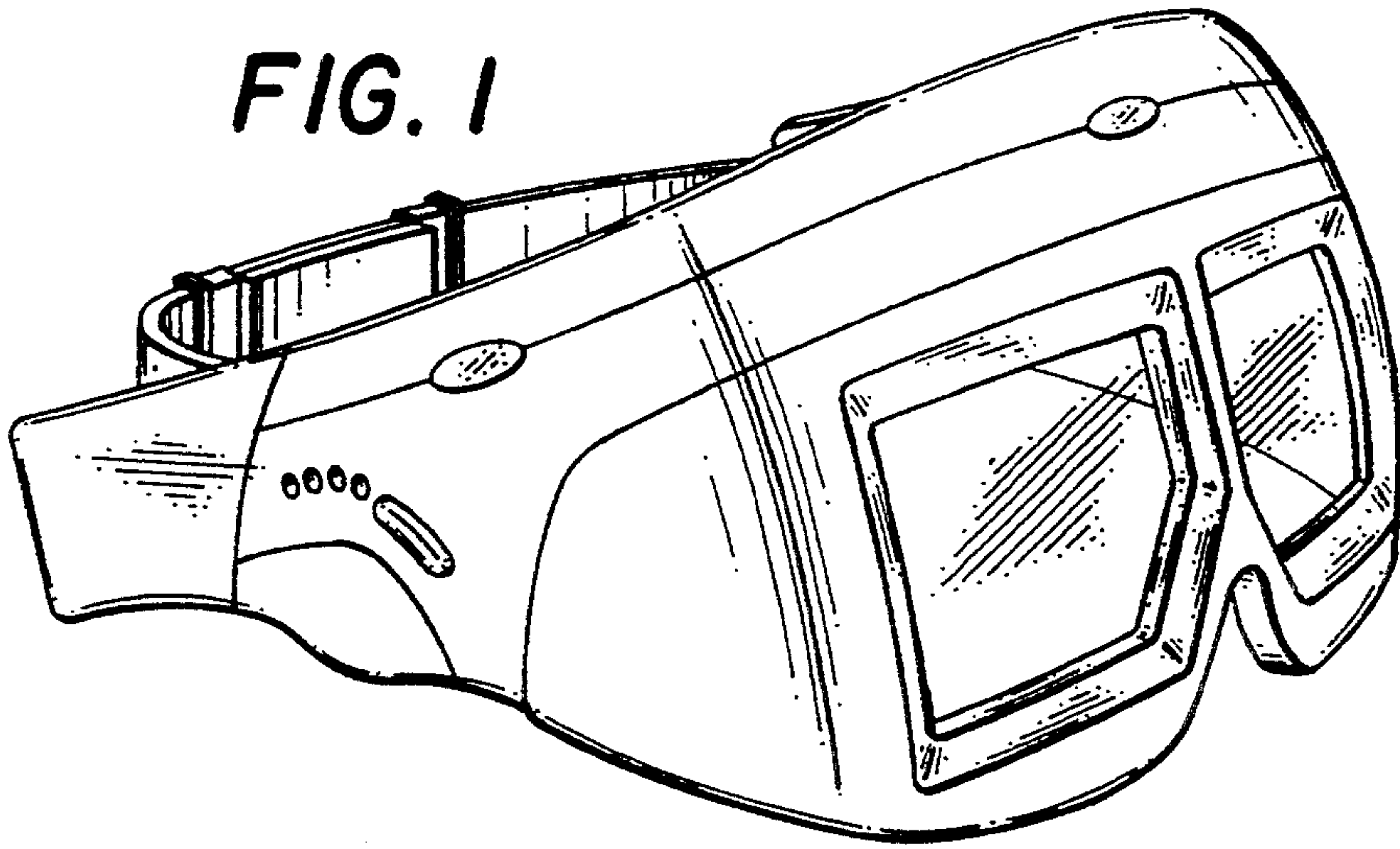


FIG. 2

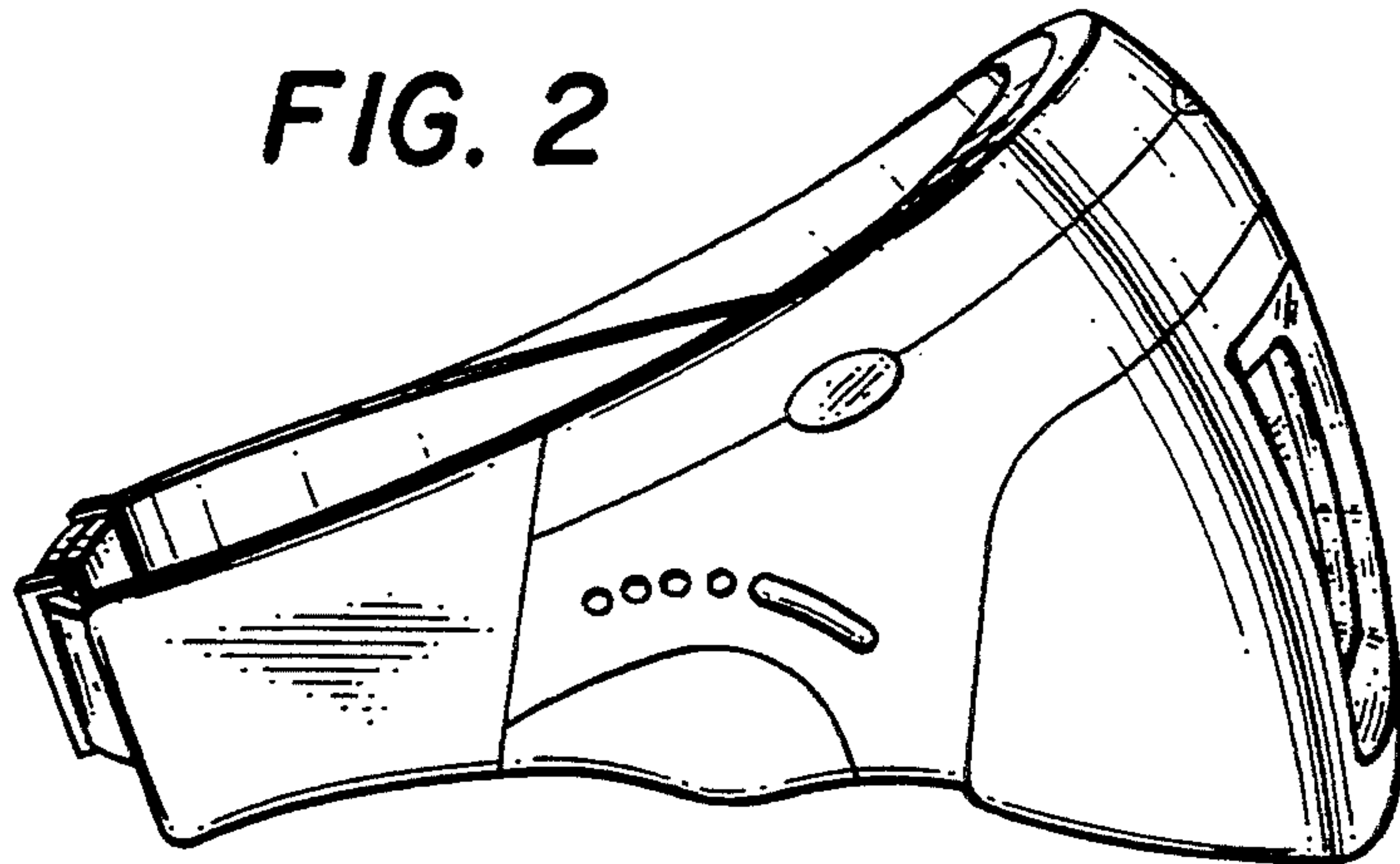


FIG. 3

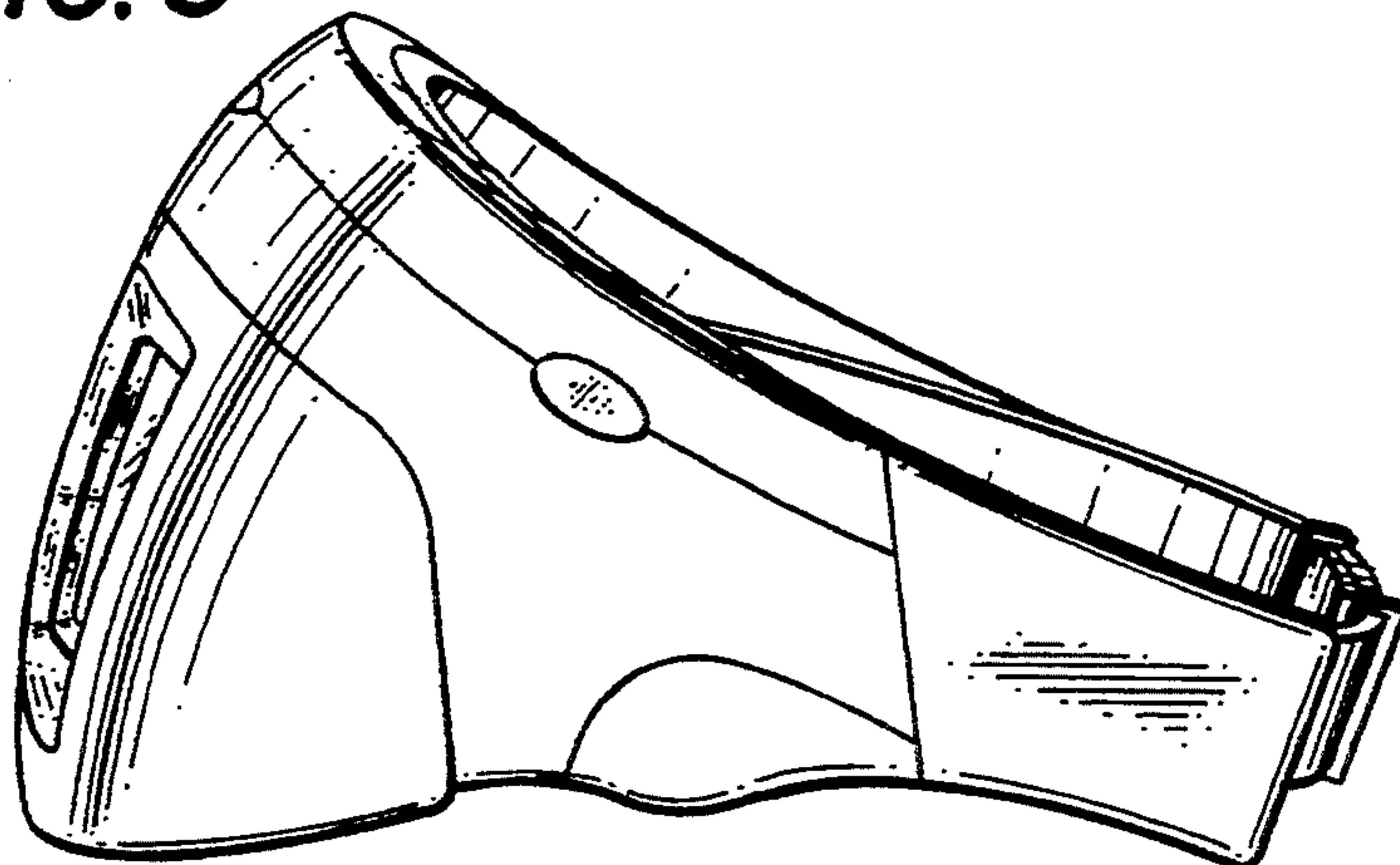


FIG. 4

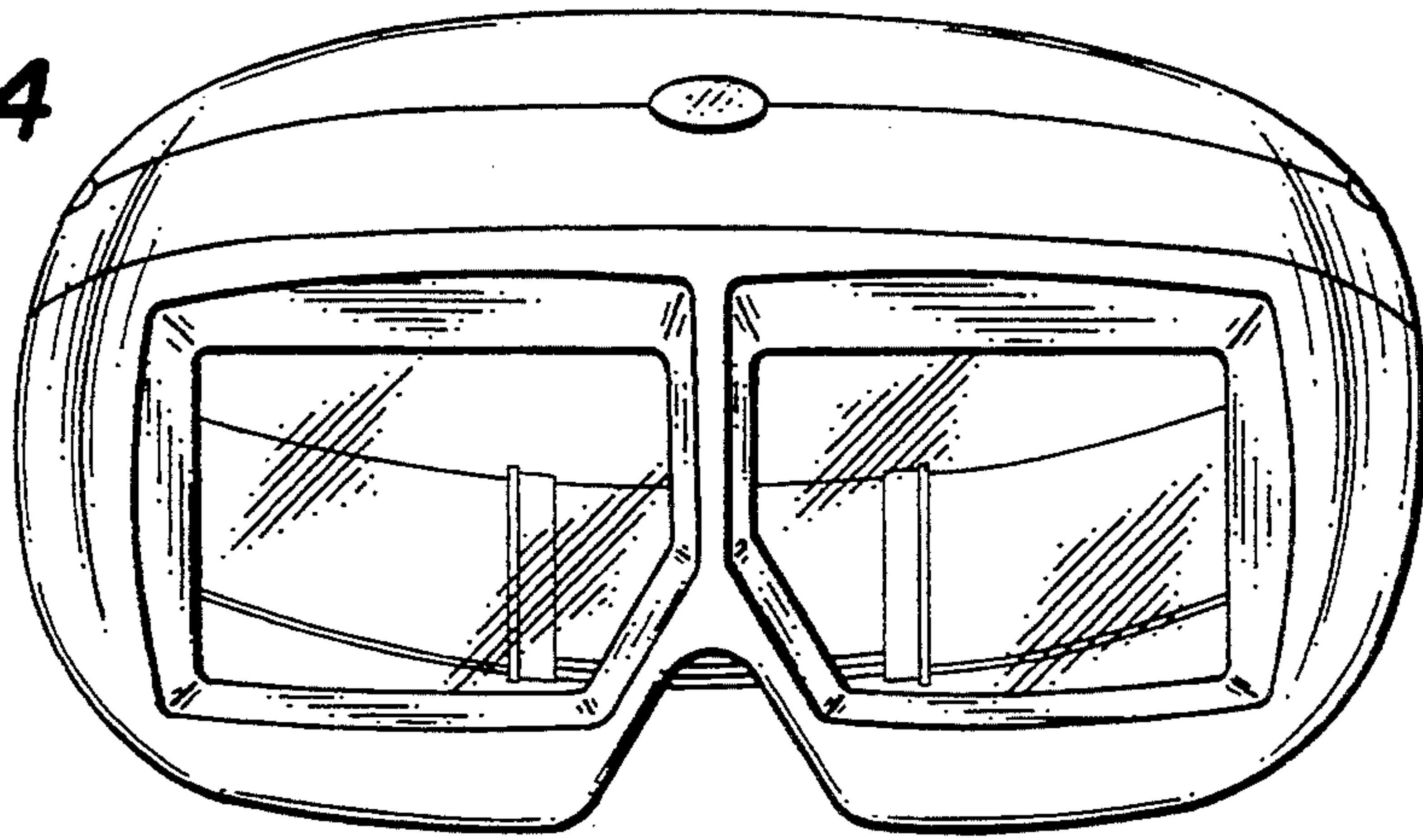


FIG. 5

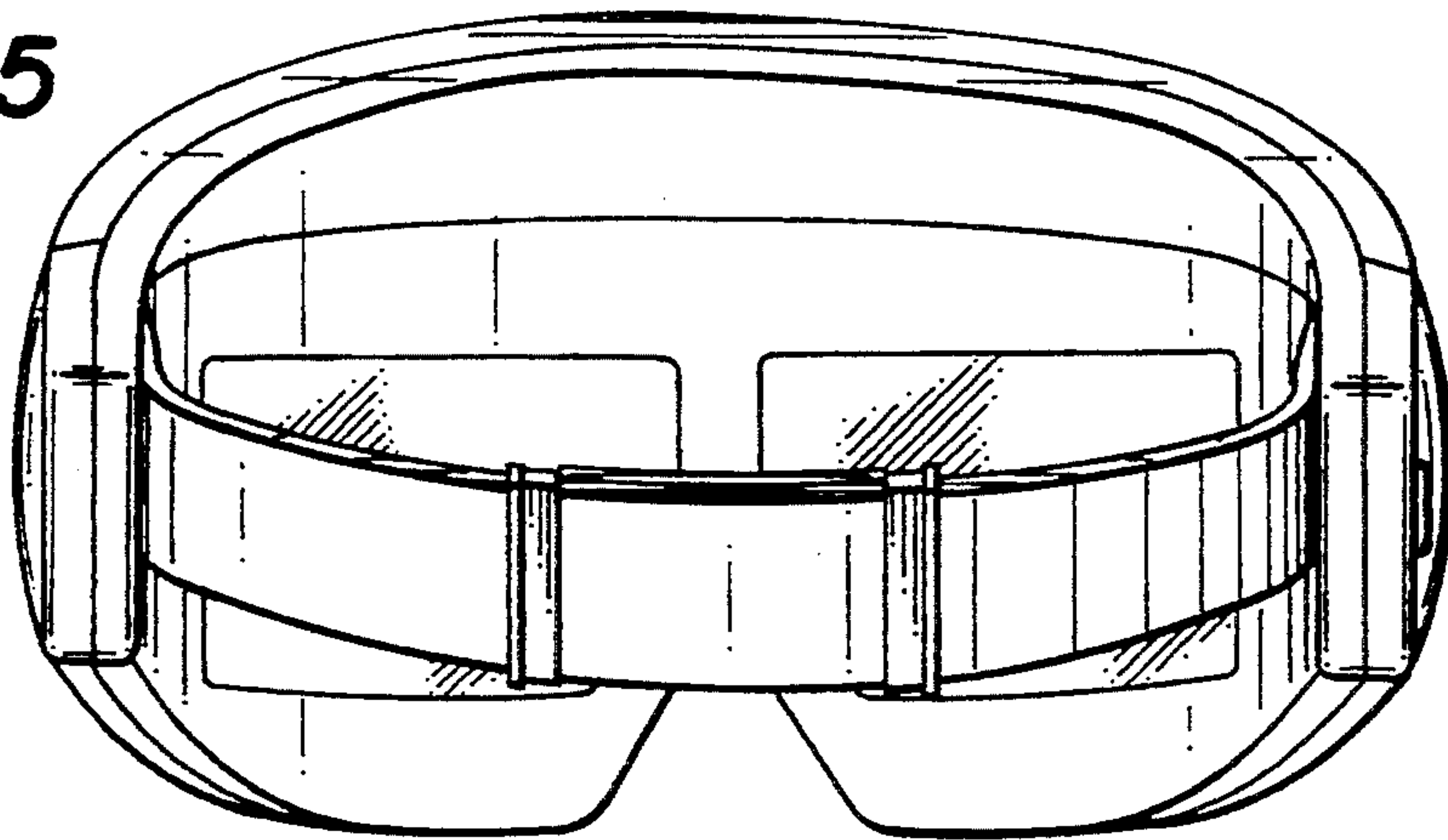


FIG. 6

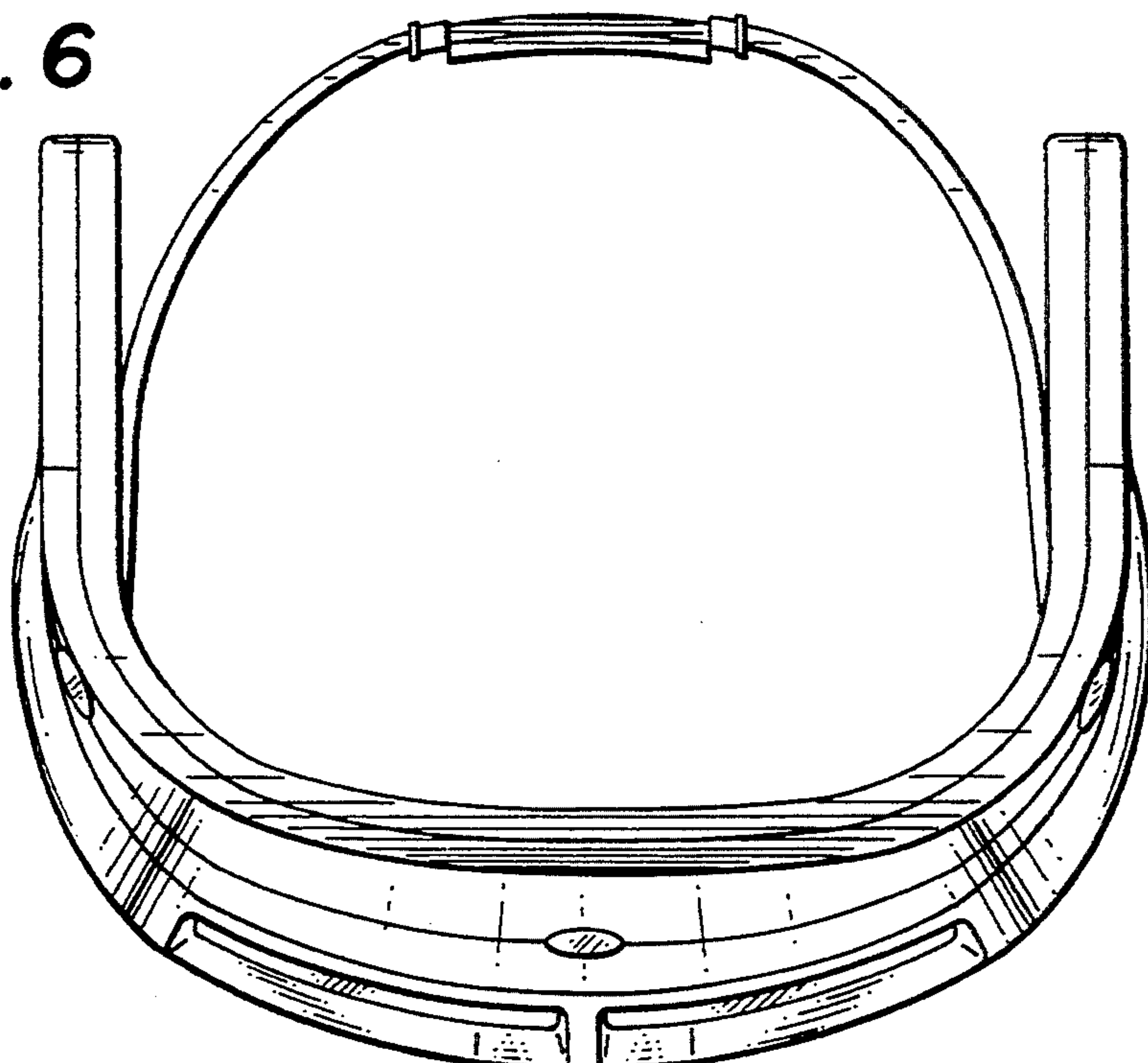


FIG. 7

