



US00D358144S

United States Patent [19] Masaaki

[11] Patent Number: **Des. 358,144**
[45] Date of Patent: **** May 9, 1995**

[54] **ELECTRONIC COMPUTER STAND**

4,717,112 1/1988 Pirkle 248/349 X
5,106,047 4/1992 Baer 248/174 X

[75] Inventor: **Iino Masaaki**, Yokohama, Japan

[73] Assignee: **Kabushiki Kaisha Toshiba**,
Kanagawa, Japan

FOREIGN PATENT DOCUMENTS

9107243 3/1992 Germany .
826991 1/1992 Japan .

[**] Term: **14 Years**

[21] Appl. No.: **9,044**

Primary Examiner—James M. Gandy
Assistant Examiner—M. H. Tung
Attorney, Agent, or Firm—Banner, Birch, McKie &
Beckett

[22] Filed: **Jun. 4, 1993**

[30] **Foreign Application Priority Data**

[57] **CLAIM**

Jan. 12, 1993 [JP] Japan 5-338

The ornamental design for an electronic computer stand, as shown and described.

[52] U.S. Cl. **D14/114**

[58] **Field of Search** D14/114; D6/449, 491,
D6/495, 396, 512; 248/125, 127, 133, 178-179,
183, 188.1, 188.2, 346, 371, 395, 917-924

DESCRIPTION

[56] **References Cited**

U.S. PATENT DOCUMENTS

D. 291,204 8/1987 Hampshire et al. D14/114
D. 305,330 1/1990 Walters, II et al. D14/114
D. 309,300 7/1990 Lindgren .
D. 311,392 10/1990 Hillary et al. D14/114
D. 316,709 5/1991 Howard et al. D14/114
D. 317,760 6/1991 Esslinger D14/114
D. 320,980 10/1991 Howard et al. D14/114
D. 345,151 3/1994 Hassu D14/114
D. 349,696 8/1994 Harnes D14/114
4,616,218 10/1986 Bailey et al. 248/349 X

FIG. 1 is a top, front and right side perspective view of an electronic computer stand showing my new design; FIG. 2 is a front elevational view thereof; FIG. 3 is a rear elevational view thereof; FIG. 4 is a top plan view thereof; FIG. 5 is a bottom plan view thereof; FIG. 6 is a right side elevational view thereof; FIG. 7 is a right side elevational view thereof showing tray in moved position; FIG. 8 is a top, rear and left side perspective view thereof showing tray in moved position, and, FIG. 9 is a sectional view thereof taken in line 9—9 in FIG. 2.

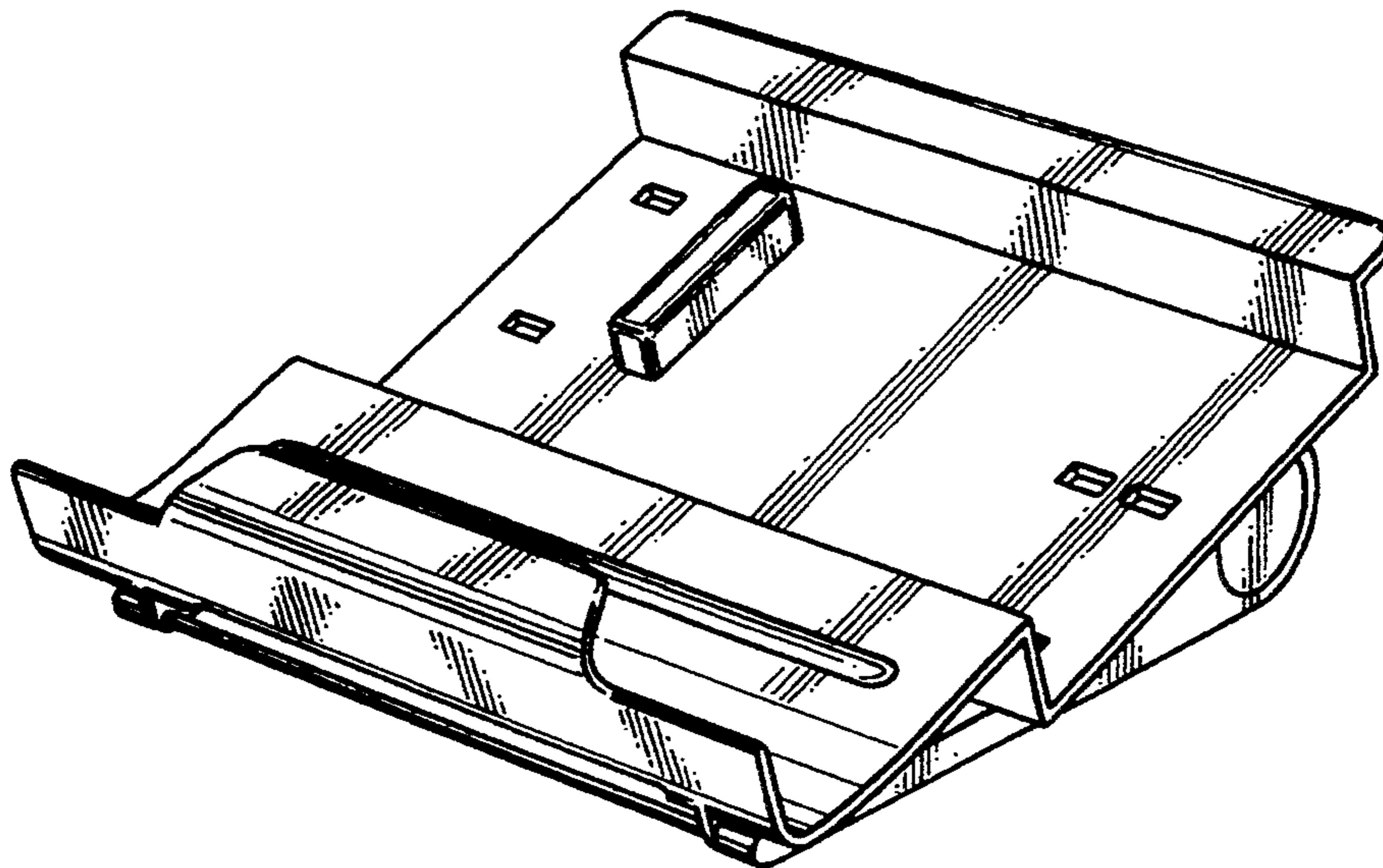


FIG. 1

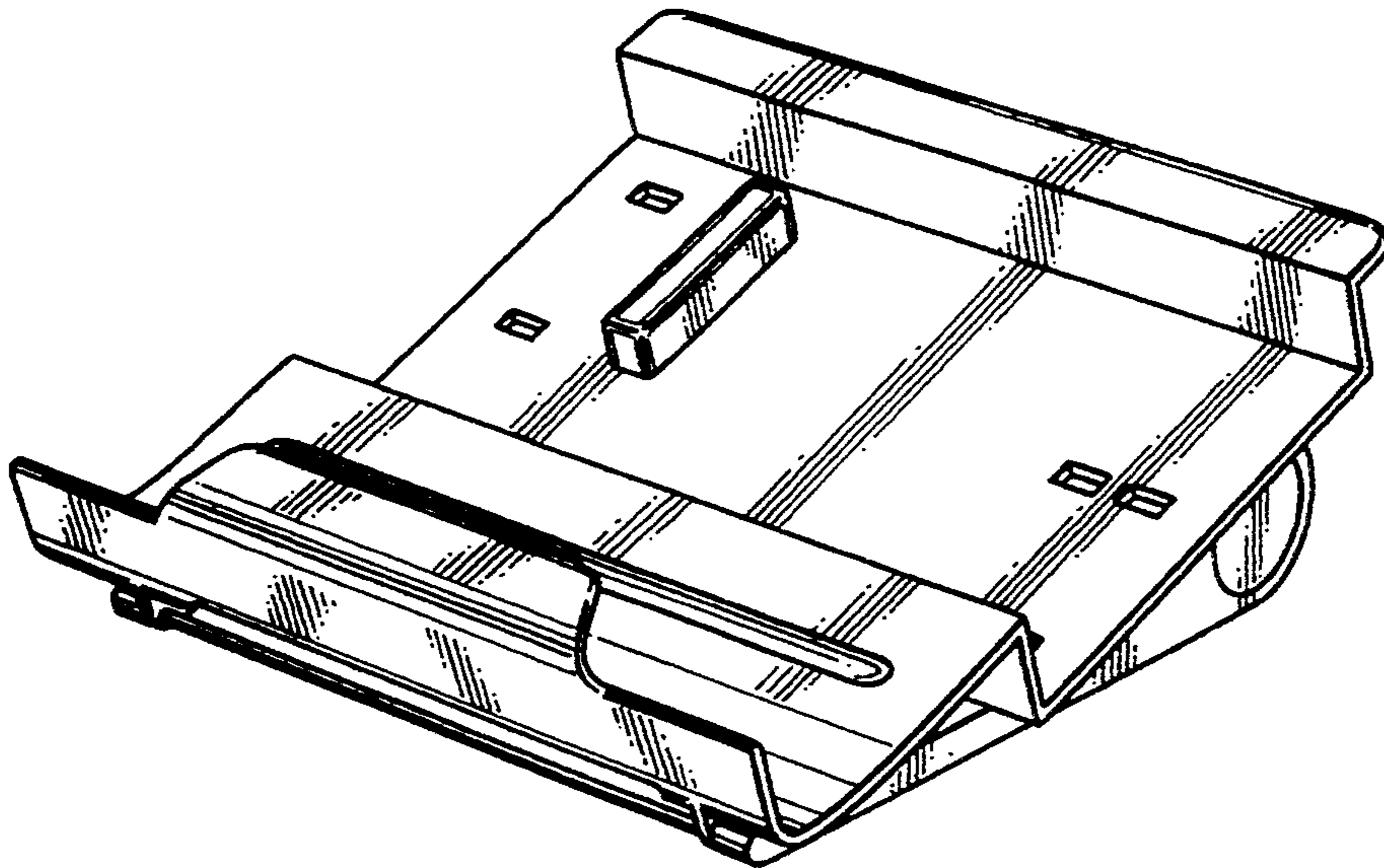
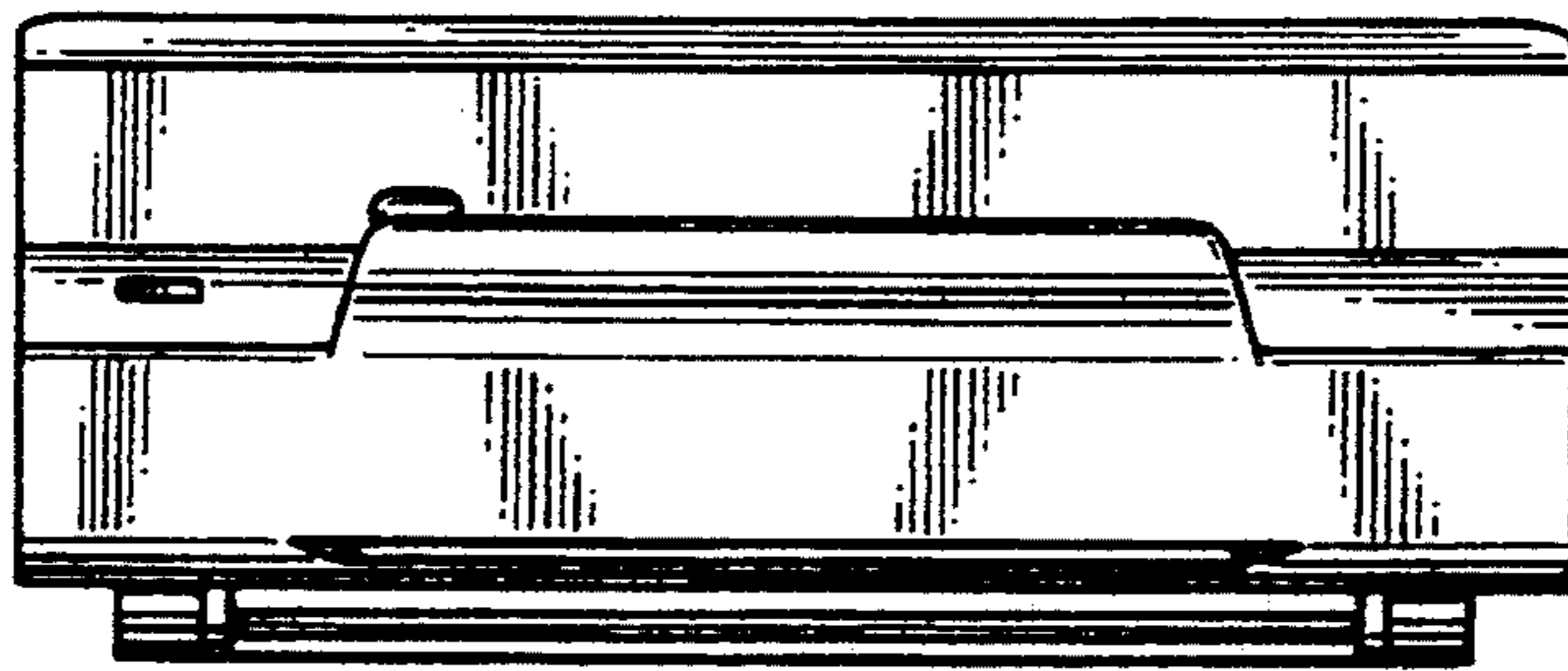


FIG. 2

9 ←



9 ←

FIG. 3

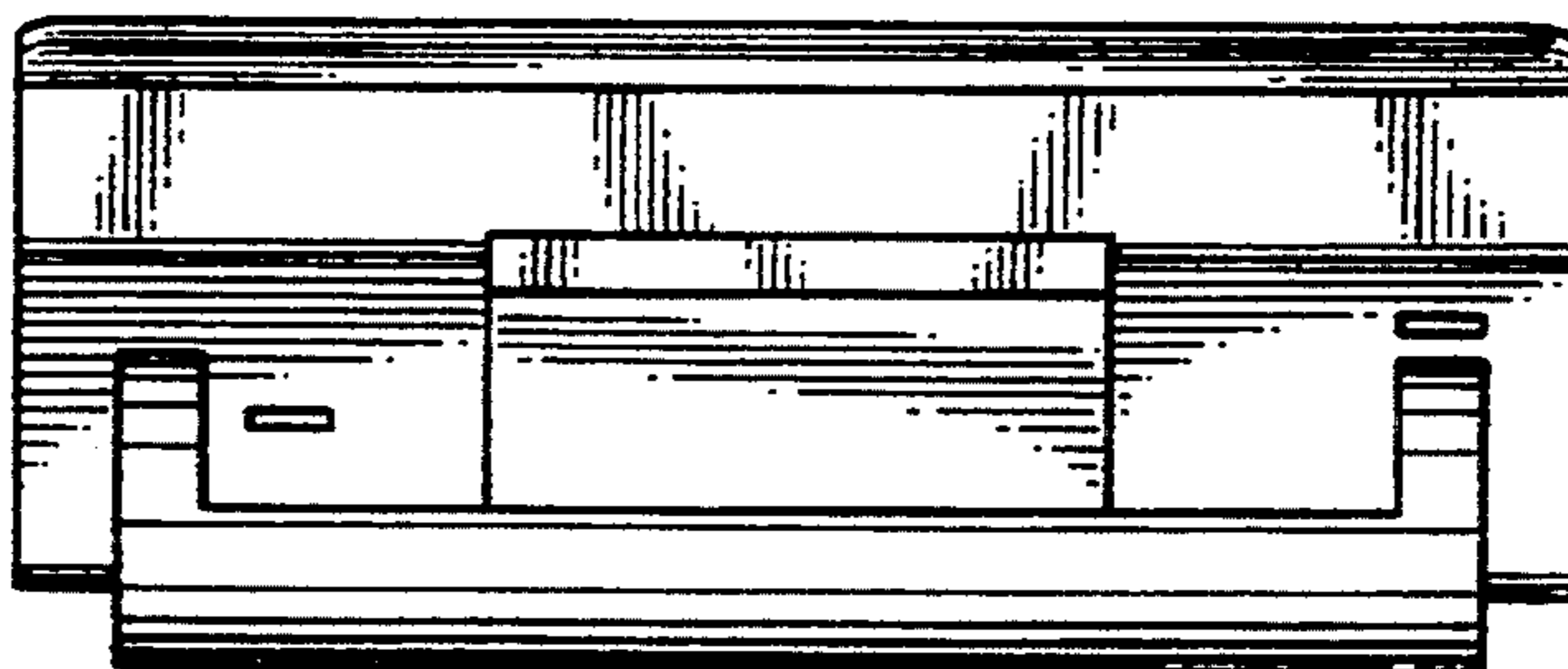


FIG. 4

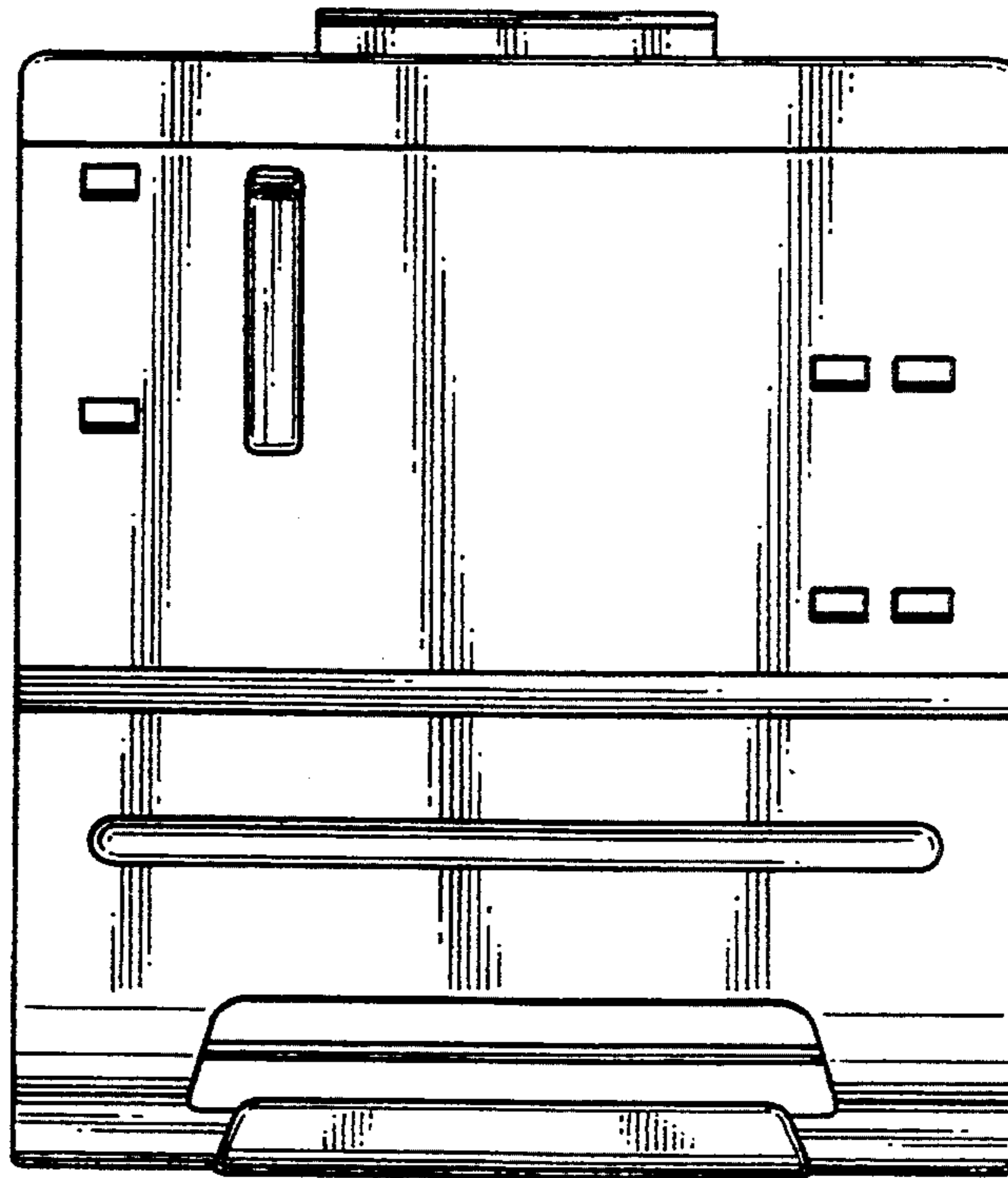


FIG. 5

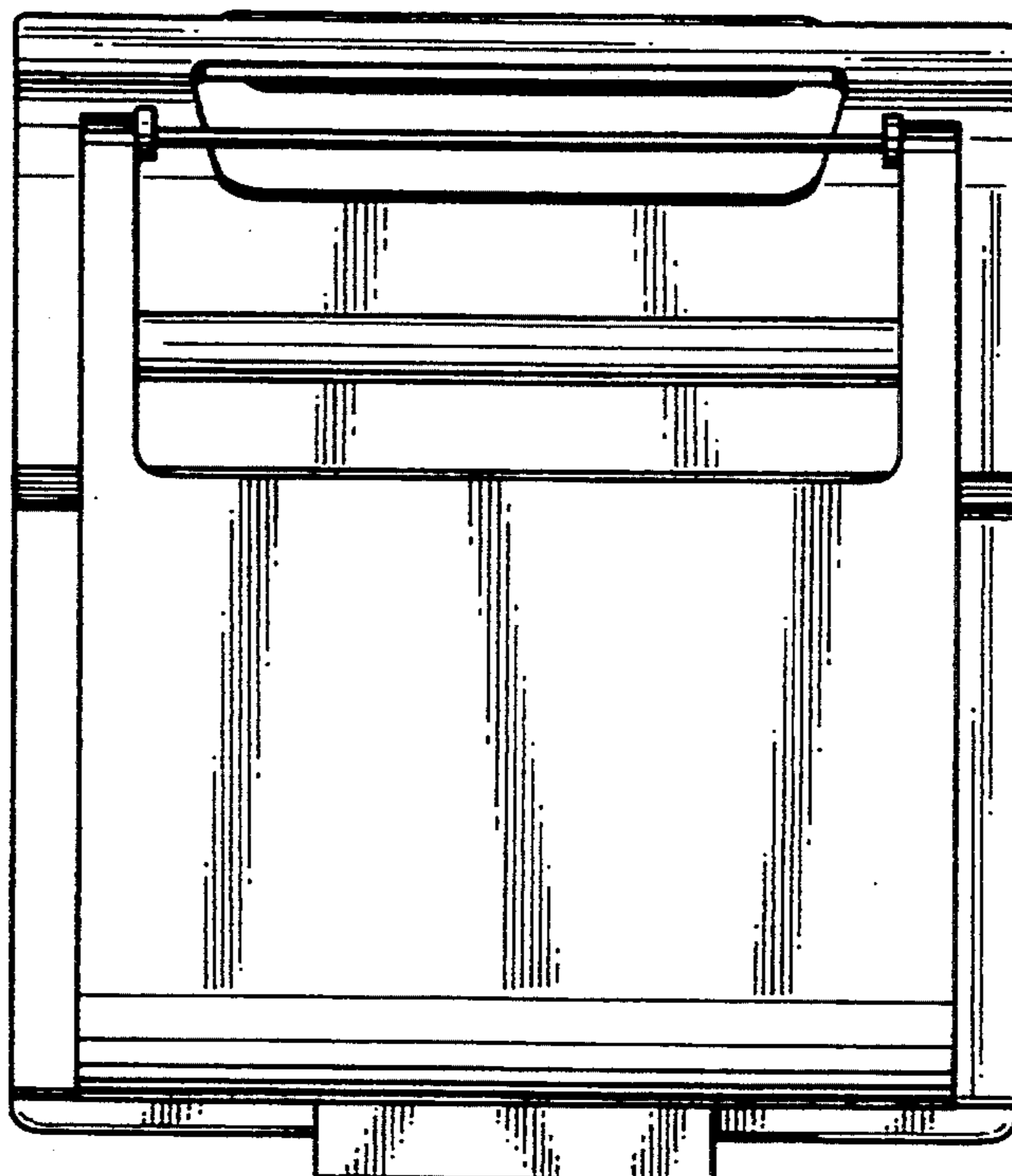


FIG.6

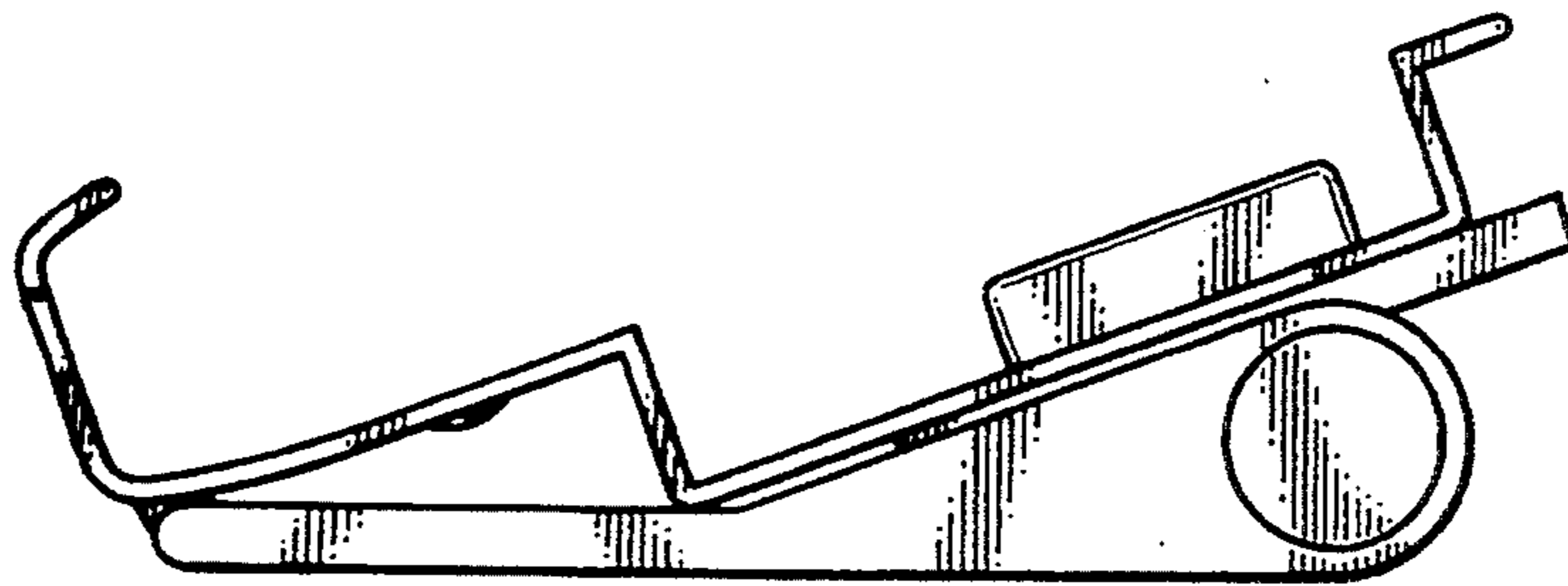


FIG.7

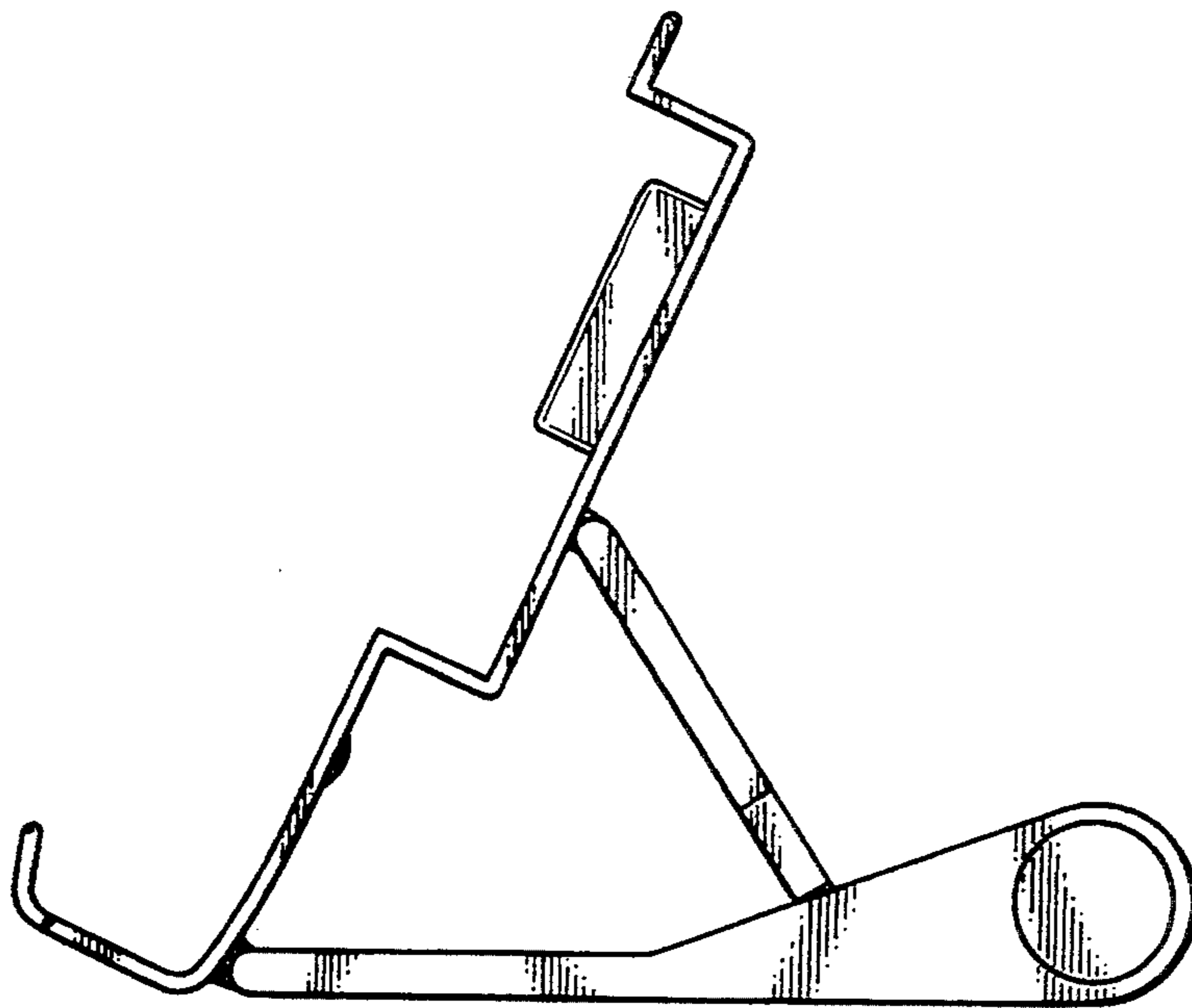


FIG.8

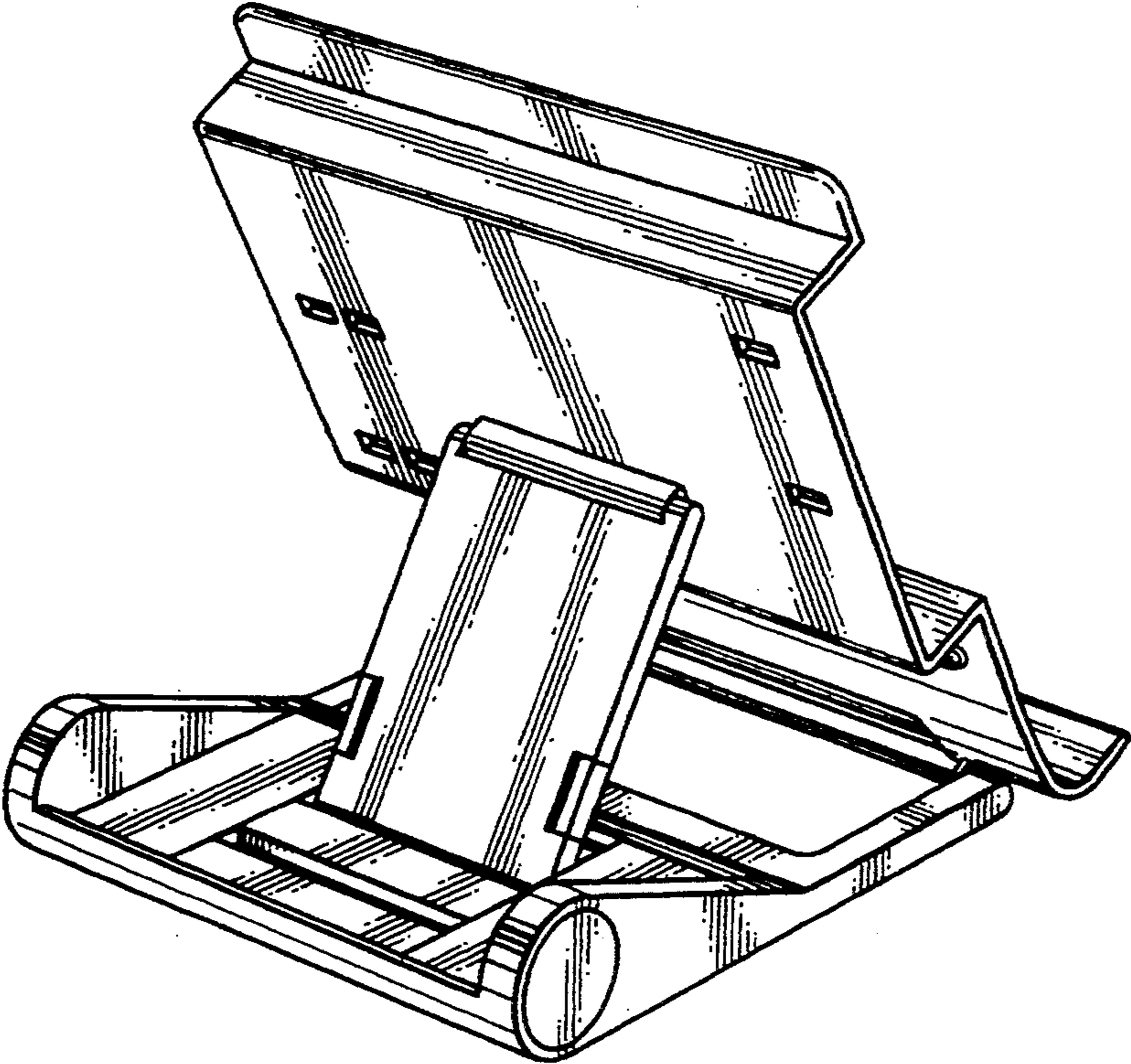


FIG.9

