



US00D358143S

United States Patent [19]

[11] Patent Number: **Des. 358,143**

Gombert et al.

[45] Date of Patent: **** May 9, 1995**

[54] **COMPUTER MOUSE**

[75] Inventors: **Bernd Gombert, Malching; Johannes Dietrich, Gilching, both of Germany**

[73] Assignee: **Space Control Gesellschaft fur 3D-Systeme mbH, Malching, Germany**

[**] Term: **14 Years**

[21] Appl. No.: **2,569**

[22] Filed: **Dec. 16, 1992**

[30] **Foreign Application Priority Data**

Aug. 29, 1992 [DE] Germany 92 06 515.5

[52] U.S. Cl. **D14/114**

[58] Field of Search D14/100, 114; D13/158; D21/48; 178/18.9; 200/5 R, 5 A, 6 R, 6 A; 213/148 B; 273/148 B; 340/707, 709-710; 74/471 XY

[56] **References Cited**

U.S. PATENT DOCUMENTS

D. 285,445 9/1986 Davis et al D14/114

- D. 292,224 10/1987 Trumbull D21/48 X
- D. 299,140 12/1988 Nakamura D14/114
- D. 304,449 11/1989 Rodgers et al. D14/114
- D. 331,043 11/1992 Yang D14/114
- D. 340,041 10/1993 Kawashima et al. D14/114
- 4,952,919 8/1990 Nippoldt D14/114 X

Primary Examiner—James M. Gandy
Assistant Examiner—M. H. Tung
Attorney, Agent, or Firm—Browdy and Neimark

[57] **CLAIM**

The ornamental design for a computer mouse, as shown and described.

DESCRIPTION

FIG. 1 is a perspective view of a computer mouse; FIG. 2 is a front elevational view; FIG. 3 is a rear elevational view; FIG. 4 is a left side elevational view, the broken line drawing of a right hand is for illustrative purposes only and forms no part of the claimed design; FIG. 5 is a left side elevational view; FIG. 6 is a right side elevational view; FIG. 7 is a top plan view; and, FIG. 8 is a bottom plan view.

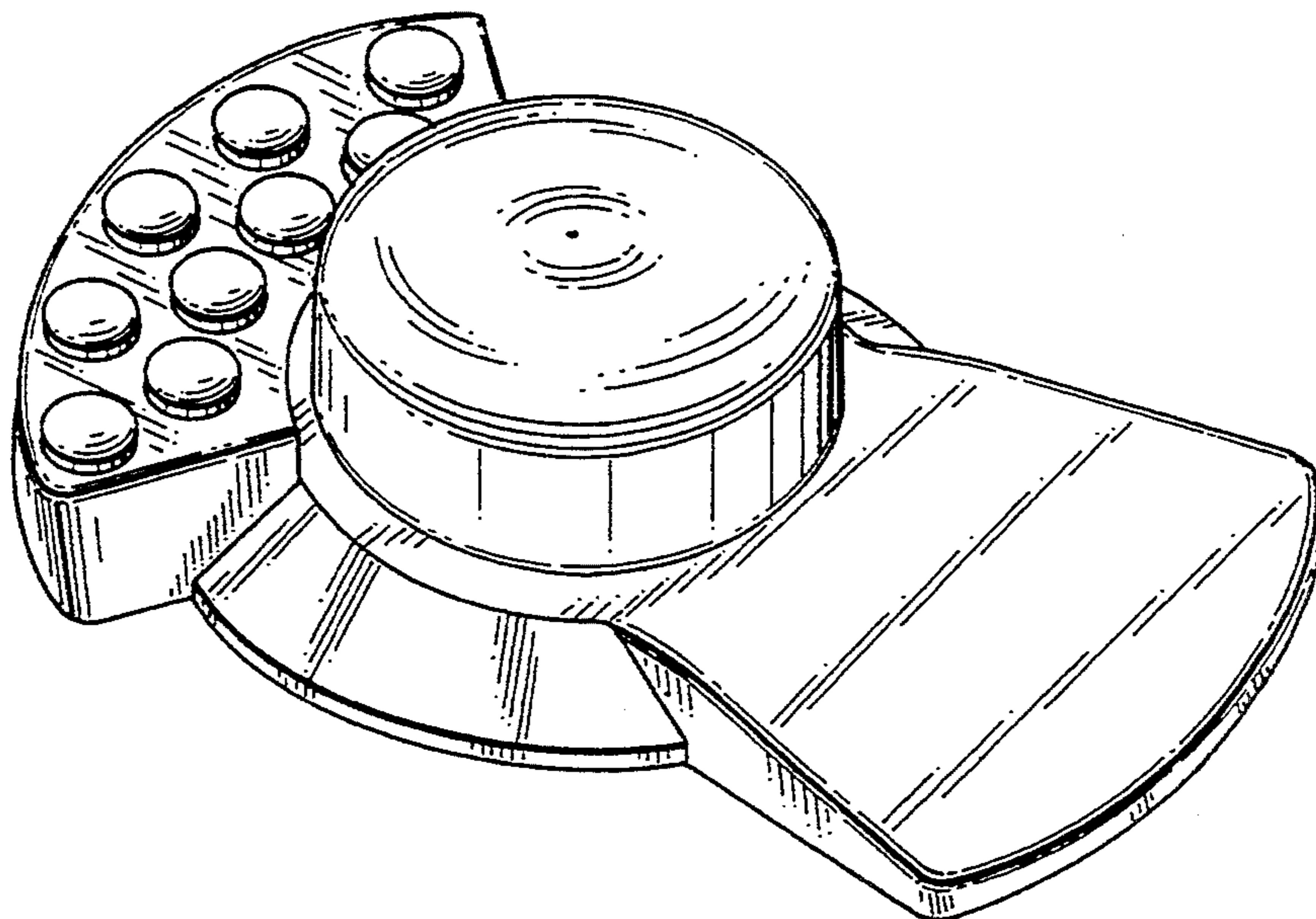


FIG. 1

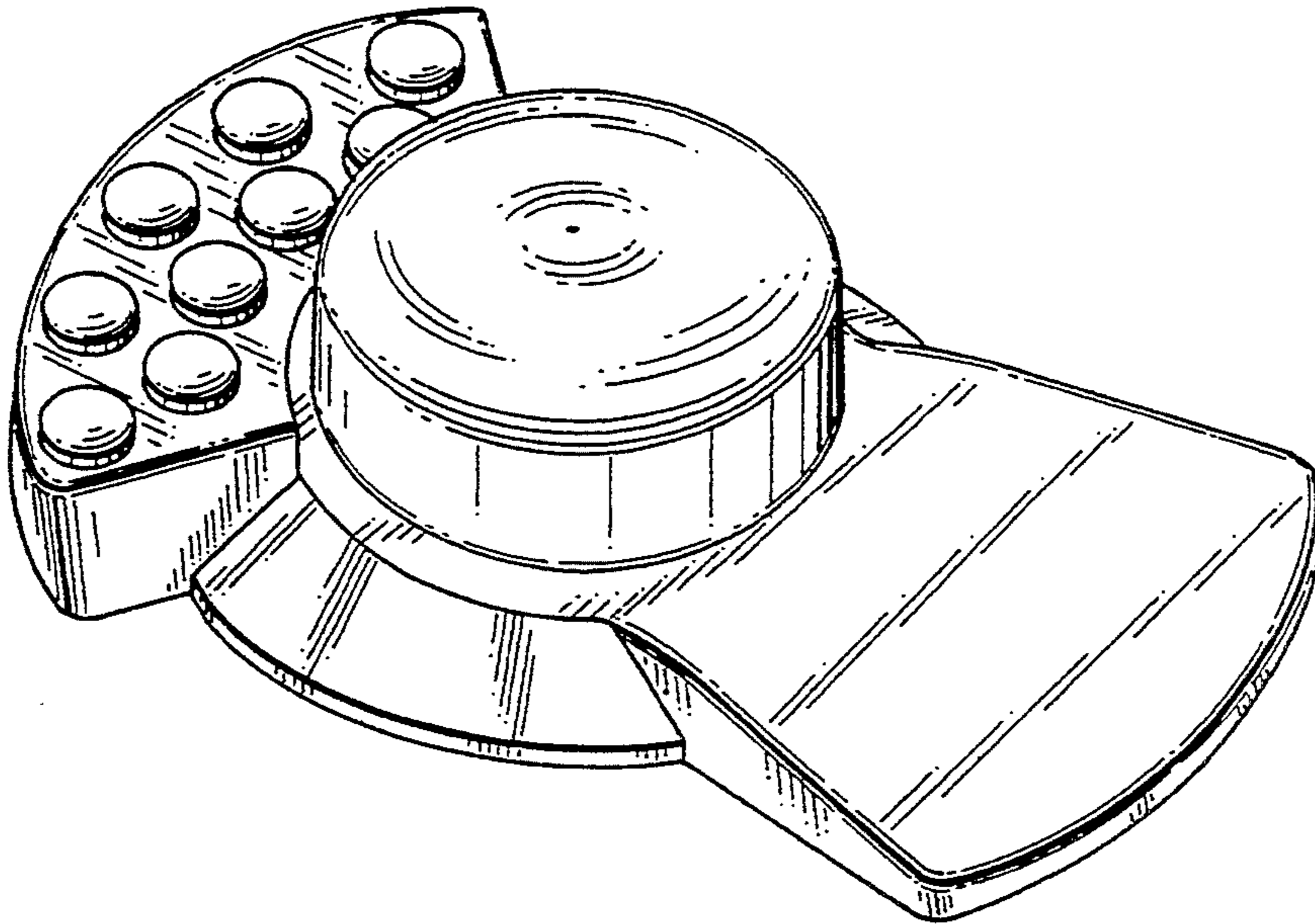


FIG. 2

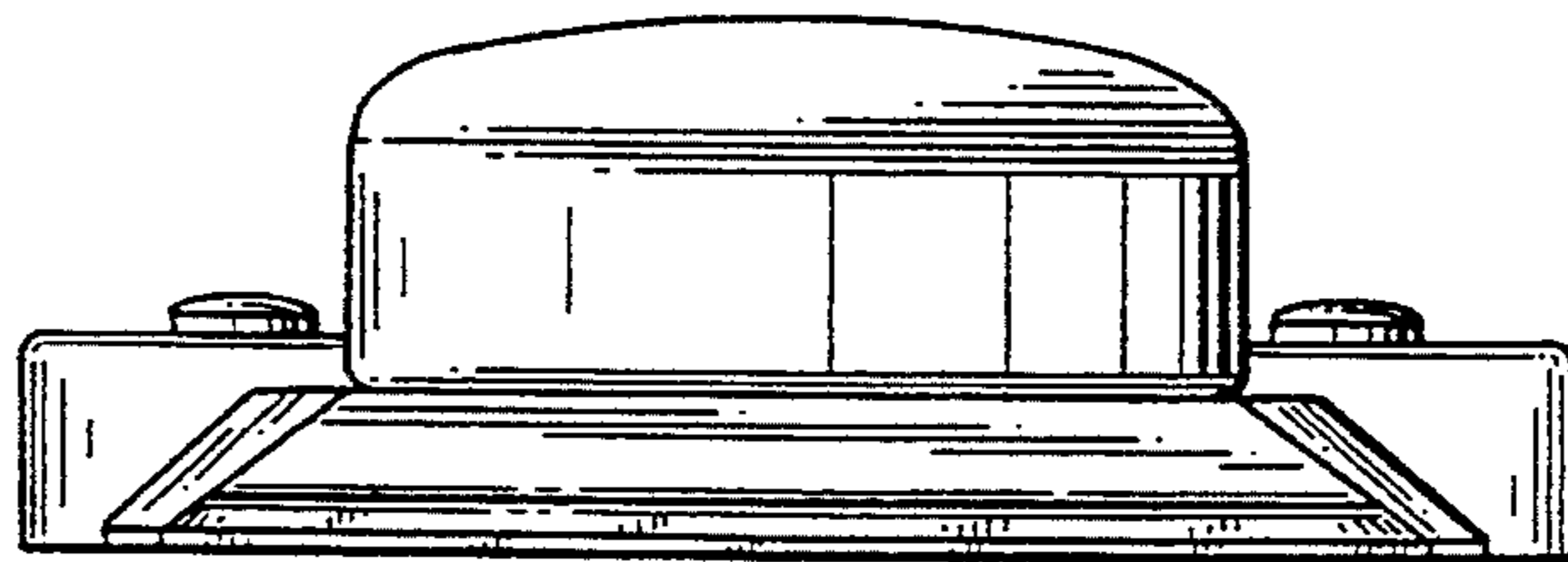


FIG. 3

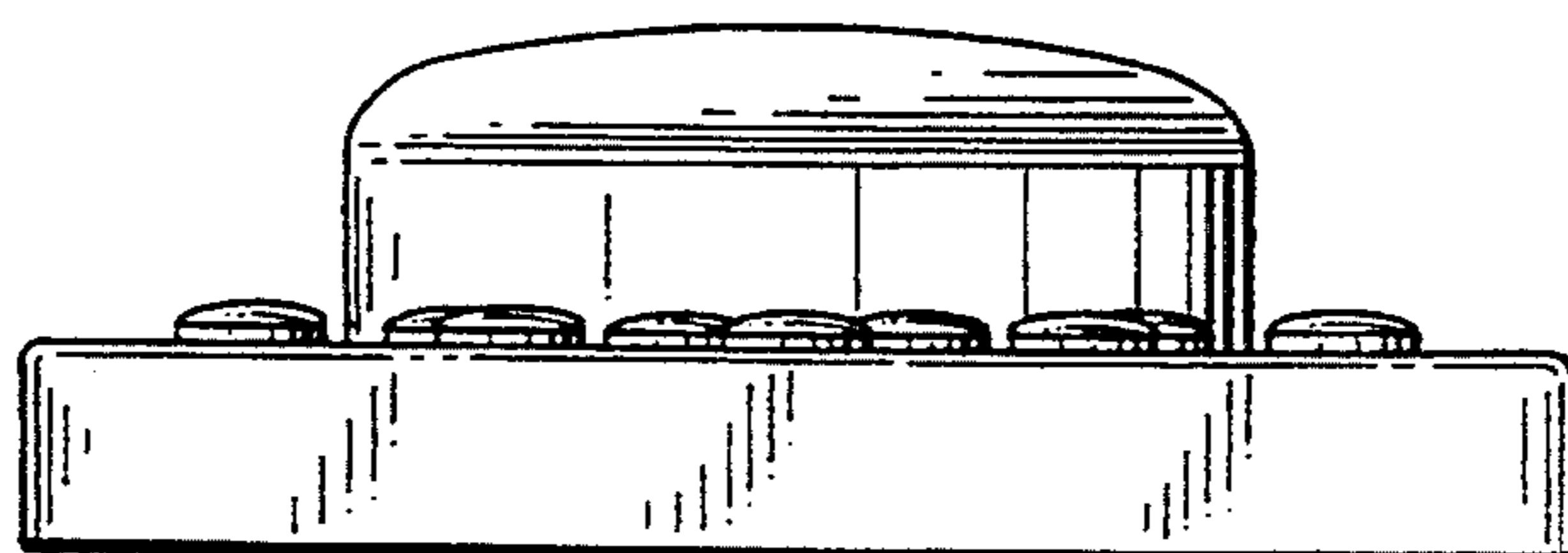


FIG. 4

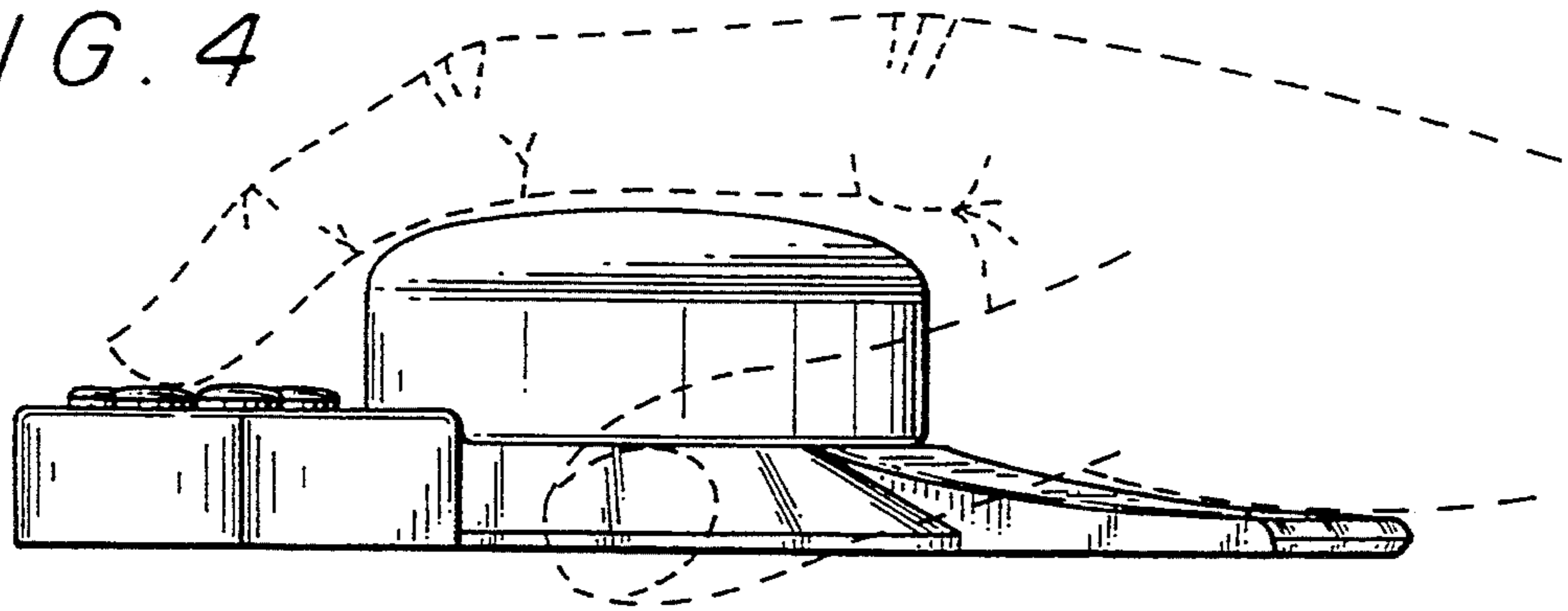


FIG. 5

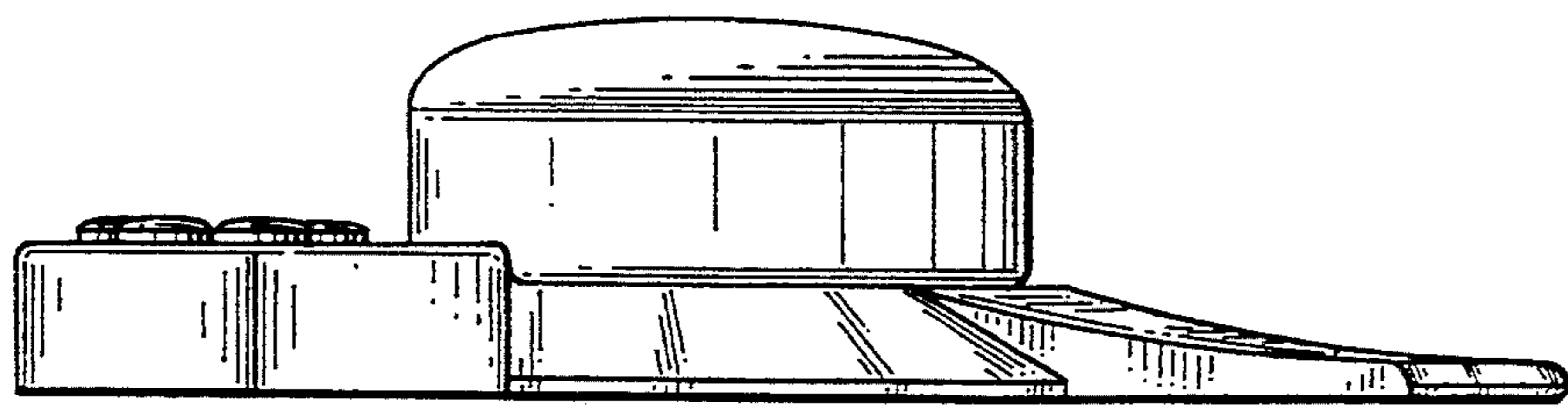


FIG. 6

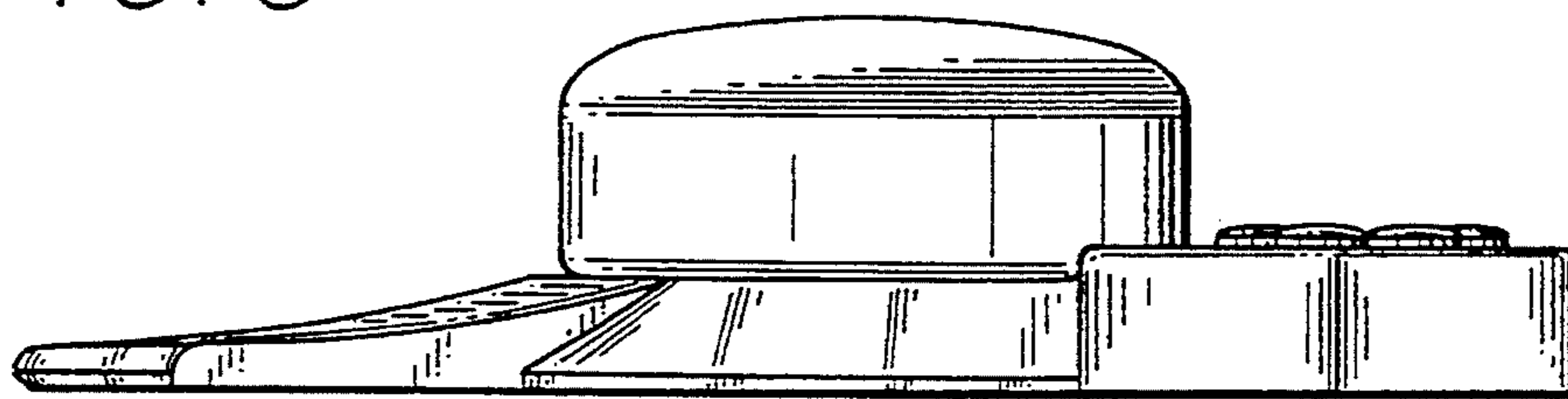


FIG. 7

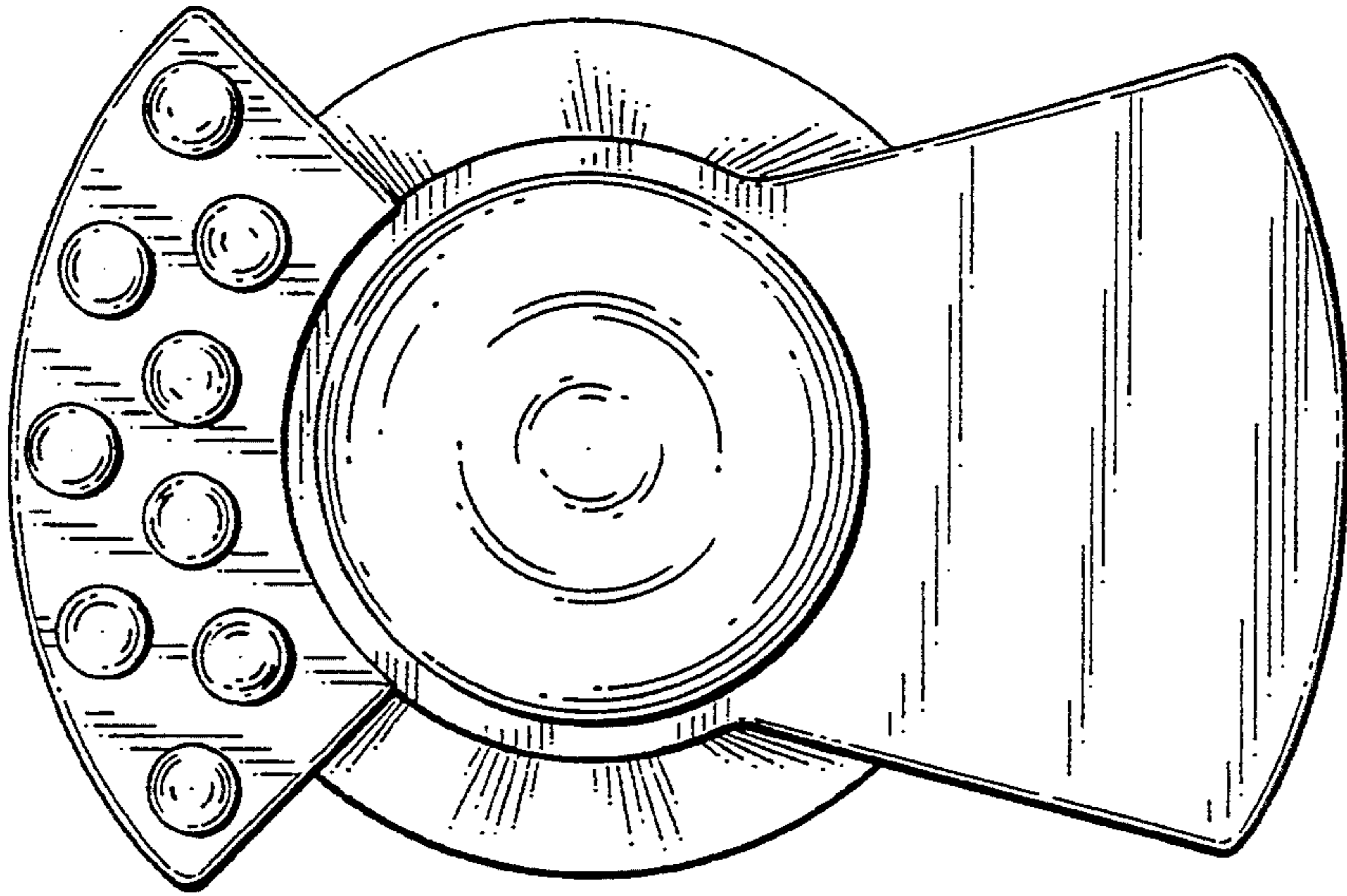


FIG. 8

