



US00D358141S

# United States Patent [19]

[11] Patent Number: **Des. 358,141**

**Pecone et al.**

[45] Date of Patent: **\*\* May 9, 1995**

- [54] **HARD DISK DRIVE CARRIER**
- [75] Inventors: **Victor Pecone; James D. Curlee**, both of Austin, Tex.
- [73] Assignee: **Dell USA, L.P.**, Austin, Tex.
- [\*\*] Term: **14 Years**
- [21] Appl. No.: **17,556**
- [22] Filed: **Jan. 13, 1994**
- [52] U.S. Cl. .... **D14/109; D14/114**
- [58] Field of Search ..... **D14/100, 107, 109, 114; D13/162, 184, 199; 360/97.01, 97.04, 98.01, 99.01, 99.12; 361/600, 622, 724-728**

- D. 336,289 6/1993 Hill ..... D14/107 X
- D. 338,458 8/1993 Guo ..... D14/109
- D. 350,117 8/1994 Lim ..... D14/100
- 5,253,129 10/1993 Blackborow et al. .... D14/109 X

*Primary Examiner*—Freda S. Nunn  
*Attorney, Agent, or Firm*—James Huffman

[57] **CLAIM**

The ornamental design for a hard disk drive carrier, as shown and described.

**DESCRIPTION**

FIG. 1 is a front top and right side perspective view of a hard disk drive carrier showing our new design; FIG. 2 is a rear bottom and right side perspective view thereof; and, FIG. 3 is an enlarged front elevational view thereof. The undisclosed left side view is identical to the side shown.

- [56] **References Cited**
- U.S. PATENT DOCUMENTS**
- D. 286,879 11/1986 Viskochil ..... D14/109
- D. 314,567 2/1991 Ichitsubo ..... D14/114

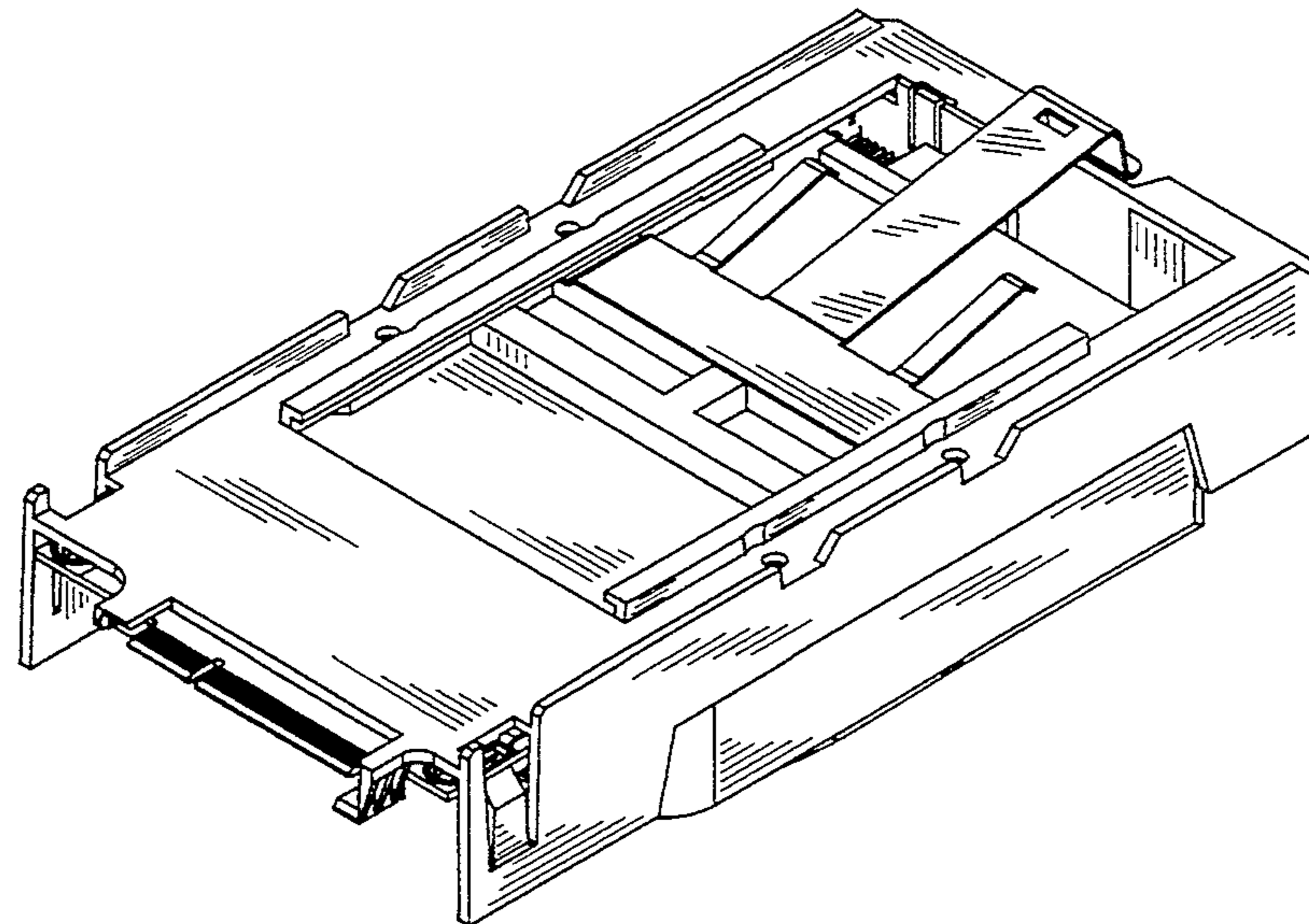
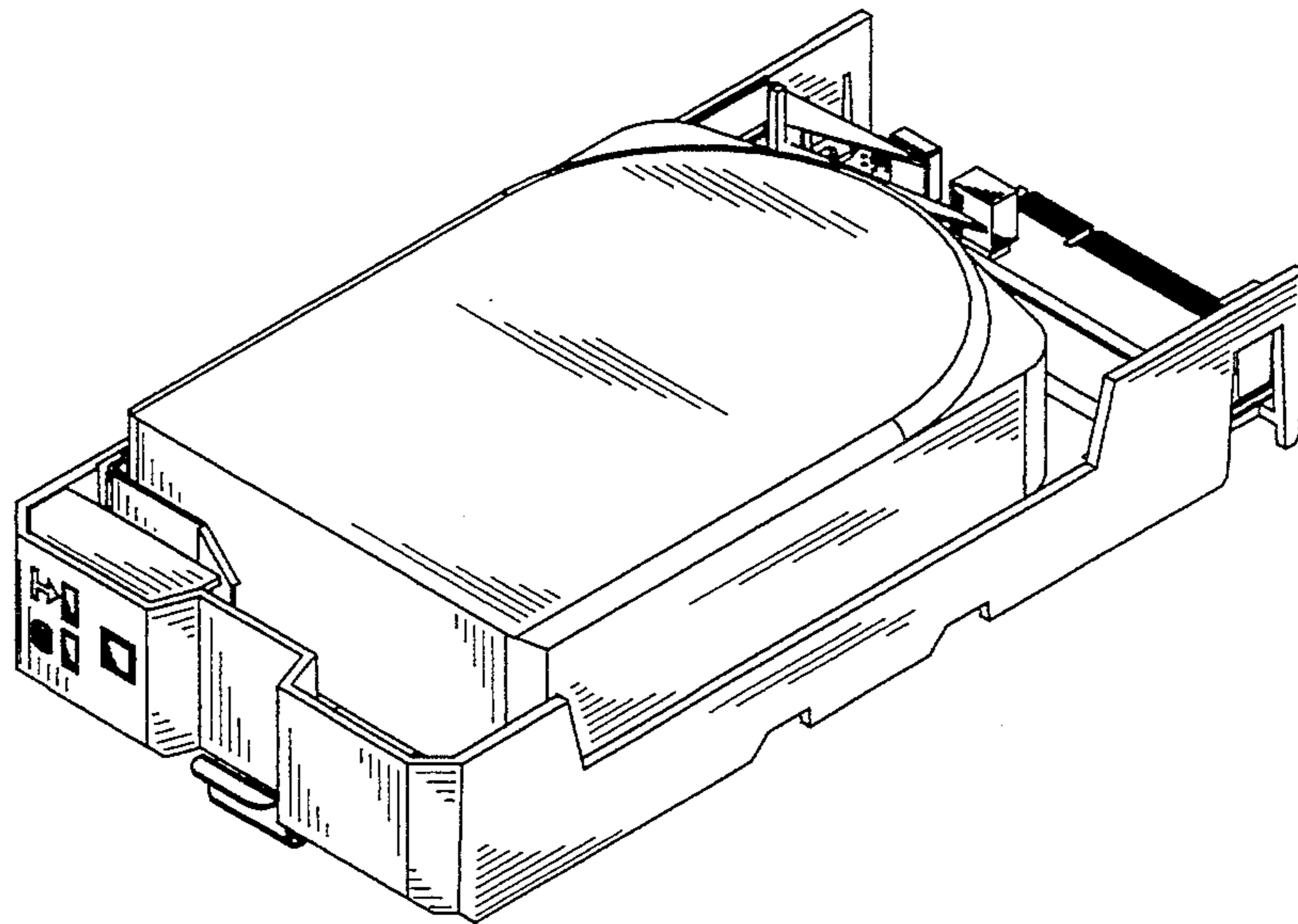


FIG. 1

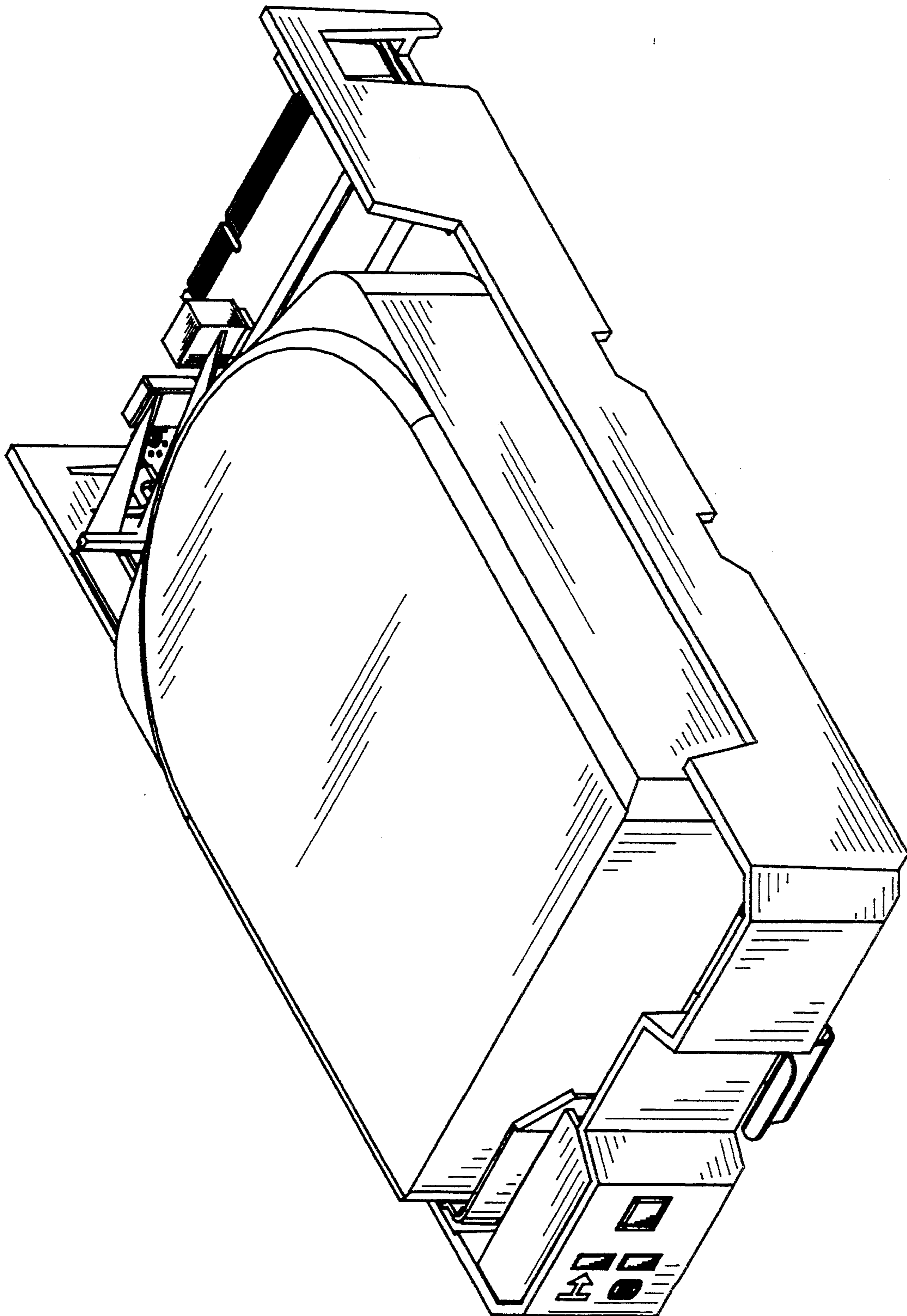


FIG. 2

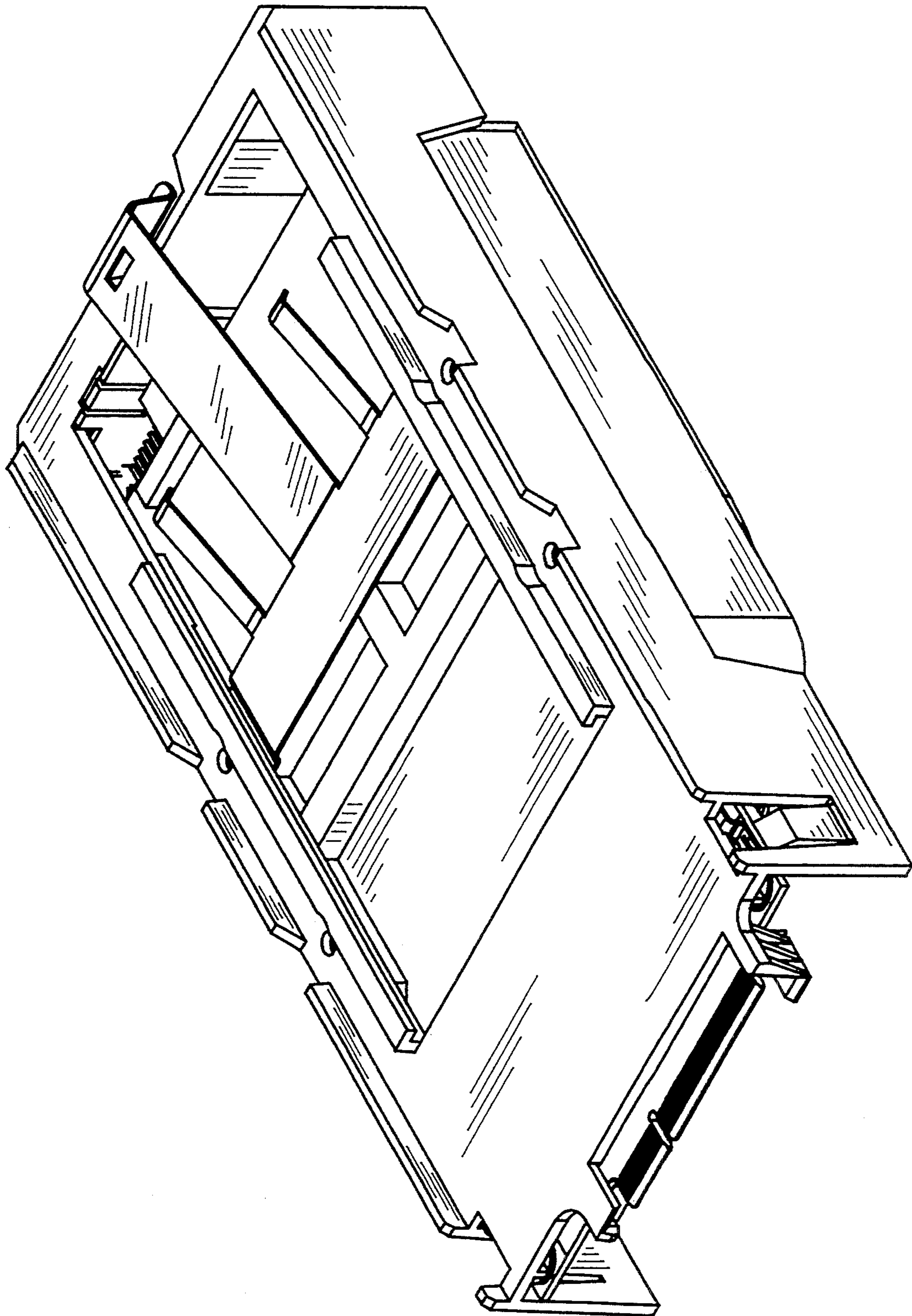


FIG. 3

