



US00D358140S

United States Patent [19]

[11] Patent Number: **Des. 358,140**

Takasu et al.

[45] Date of Patent: **** May 9, 1995**

[54] **DISK DRIVE UNIT**

[75] Inventors: **Daihachiro Takasu, Niiza; Kenji Matsumoto, Houya, both of Japan**

[73] Assignee: **TEAC Corporation, Japan**

[**] Term: **14 Years**

[21] Appl. No.: **16,502**

[22] Filed: **Dec. 16, 1993**

[30] **Foreign Application Priority Data**

Jul. 12, 1993 [JP] Japan 5-21346

[52] U.S. Cl. **D14/109**

[58] Field of Search D14/100, 102, 107-109; D13/162, 184, 199; D6/474; 312/208.1, 223.2, 223.3, 194; 360/97.01, 97.04, 98.01, 99.01, 99.12; 361/600, 622, 724-728

[56] **References Cited**

U.S. PATENT DOCUMENTS

D. 300,323 3/1989 Noda et al. D14/109

D. 306,013 2/1990 Kato et al. D14/109 X
D. 309,448 7/1990 Aderman et al. D14/109
D. 337,998 8/1993 Inayama et al. D14/109

Primary Examiner—Freda S. Nunn
Attorney, Agent, or Firm—Andrus, Scales, Starke & Sawall

[57] CLAIM

The ornamental design for a disk drive unit, as shown and described.

DESCRIPTION

FIG. 1 is a top view of a disk drive unit showing our new design;
FIG. 2 is a bottom view thereof;
FIG. 3 is a front view thereof;
FIG. 4 is a rear view thereof;
FIG. 5 is a left side view thereof;
FIG. 6 is a top front and right side perspective view thereof; and,
FIG. 7 is a vertical sectional view thereof taken along line 7-7 of FIG. 3 and omitting the inside mechanism of the disk drive unit.

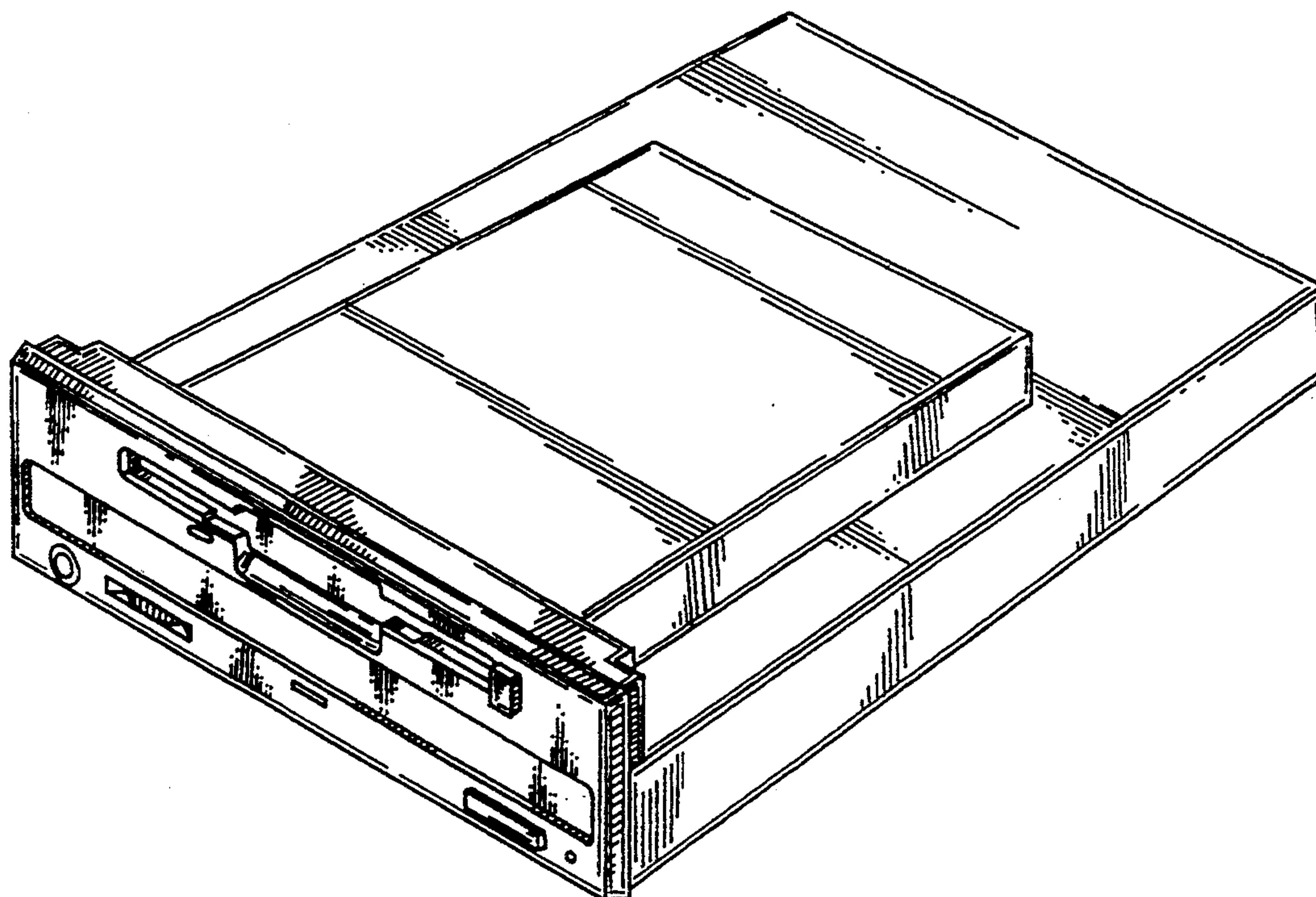


FIG. 1

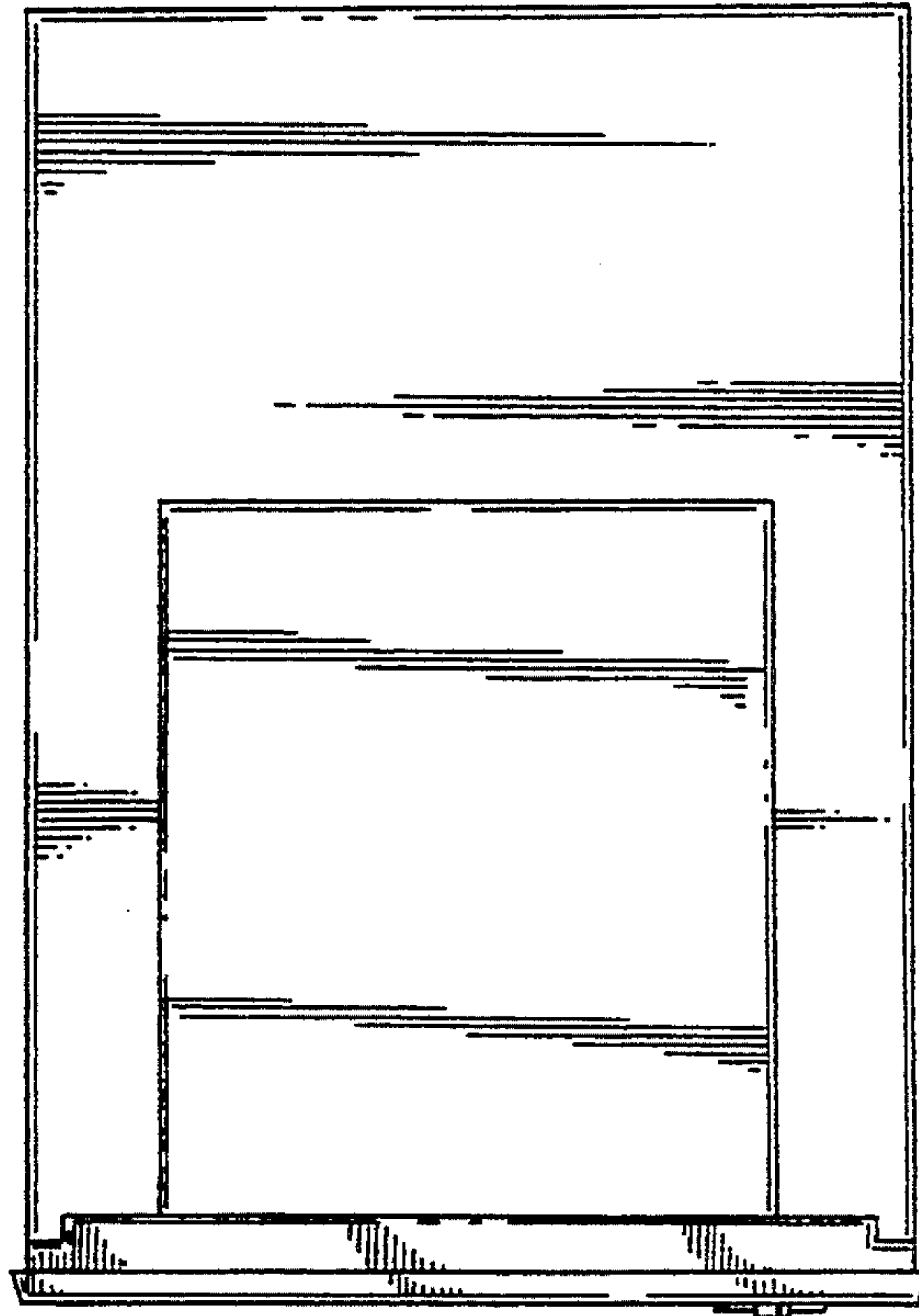


FIG. 2

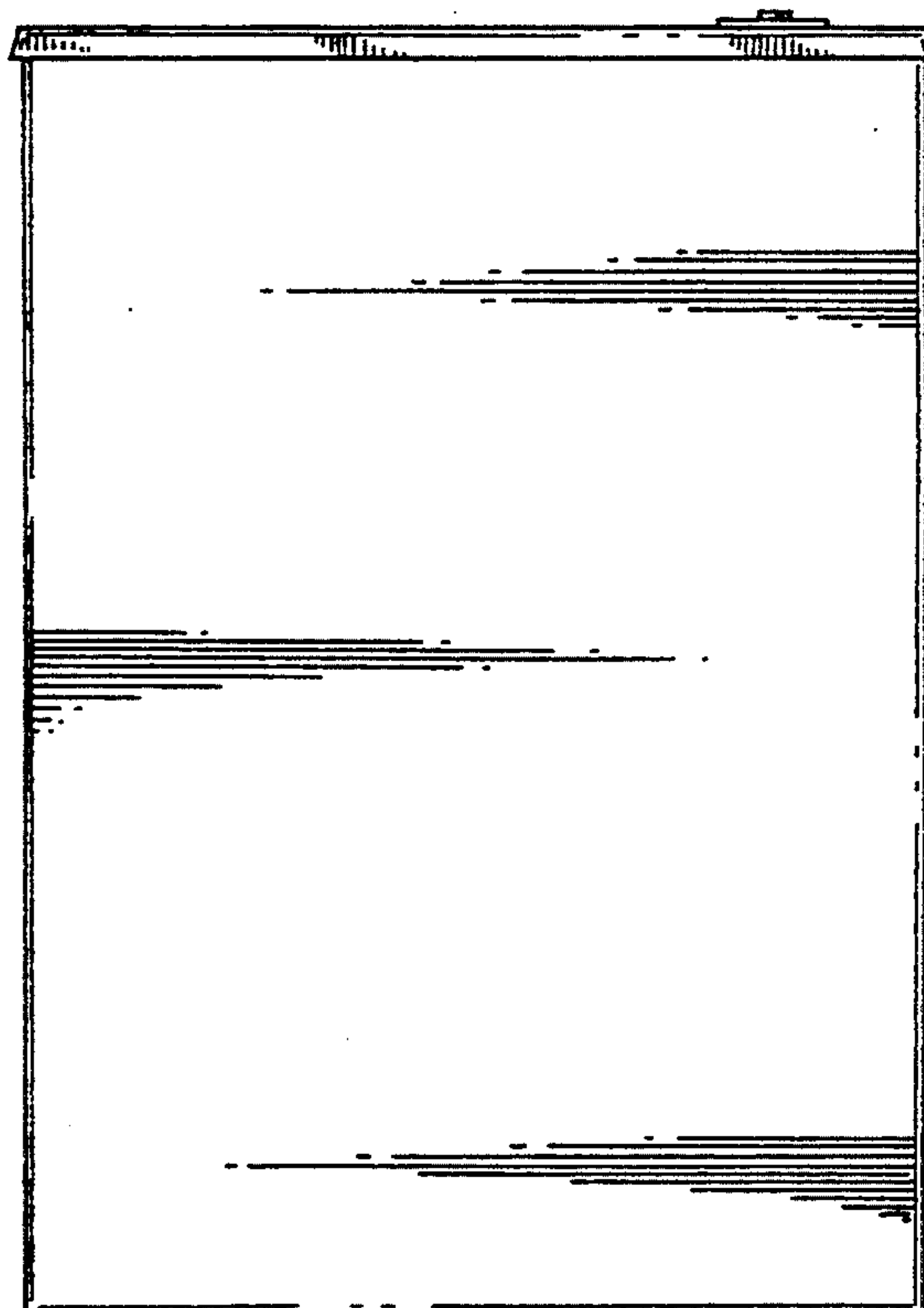


FIG. 3

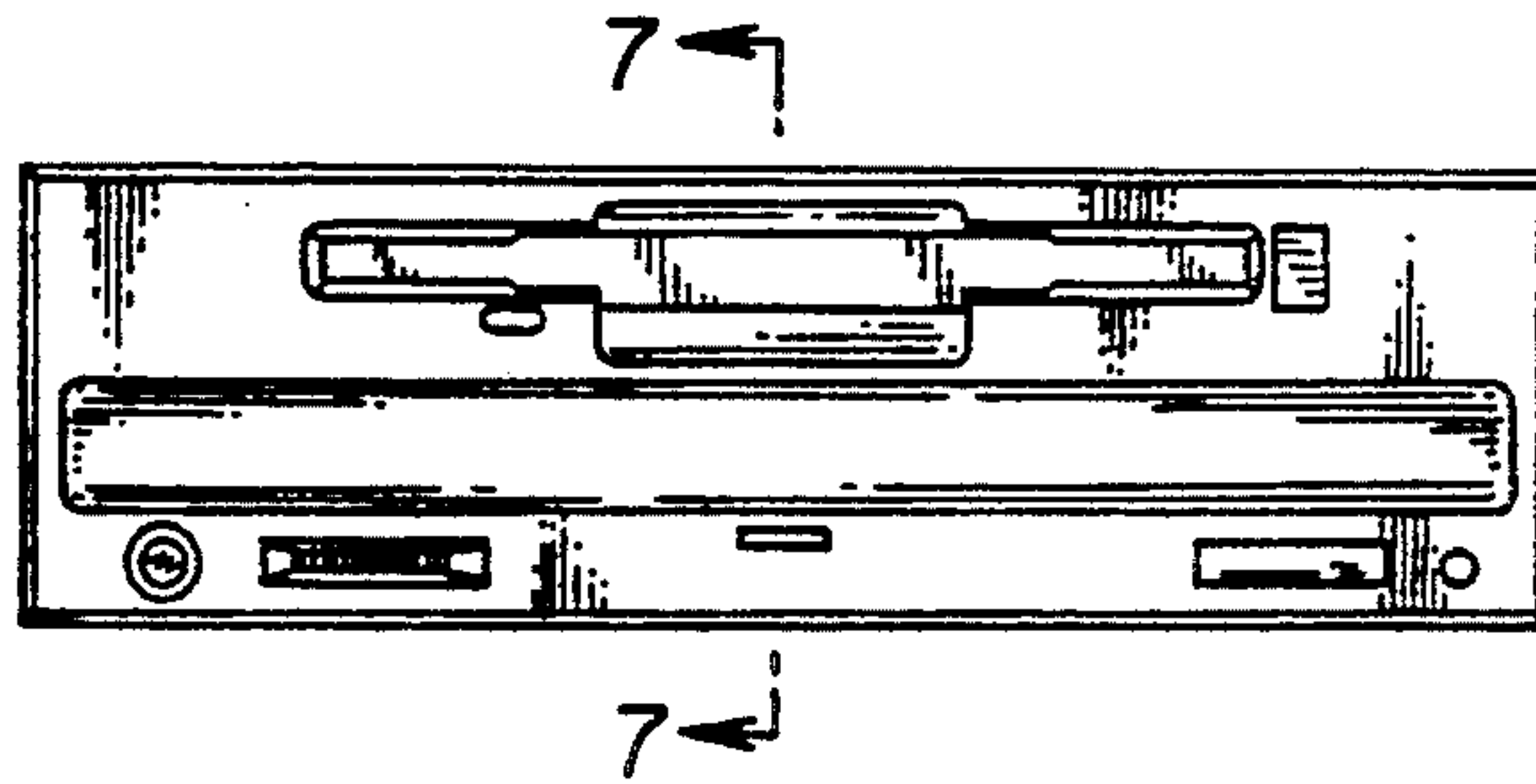


FIG. 4

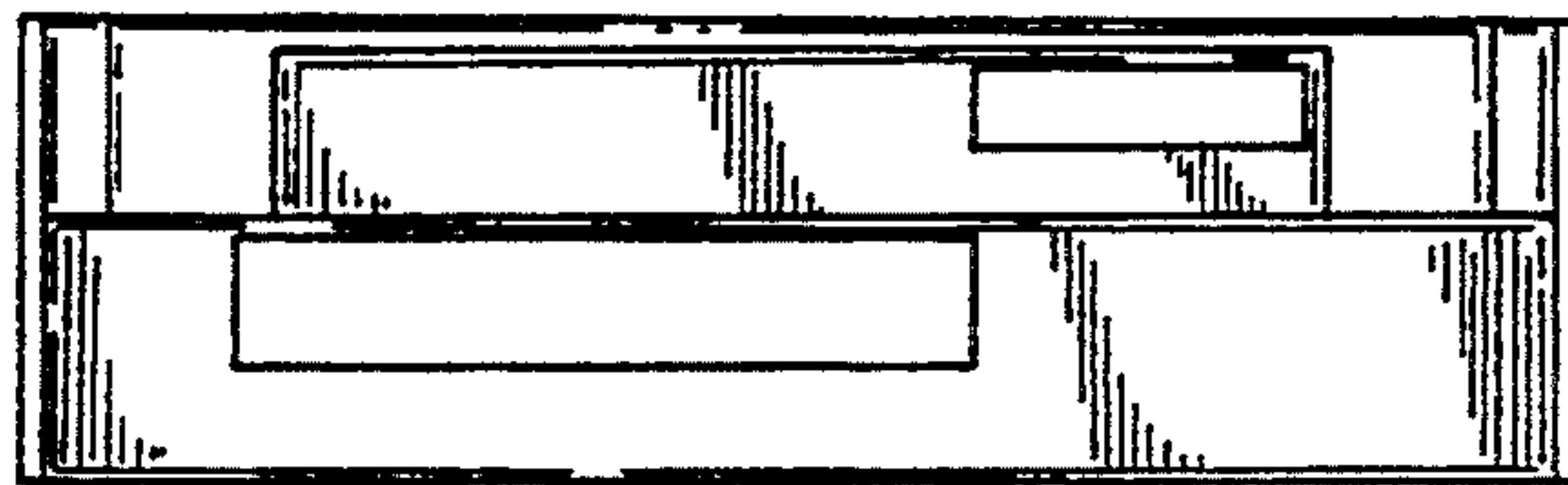


FIG. 5

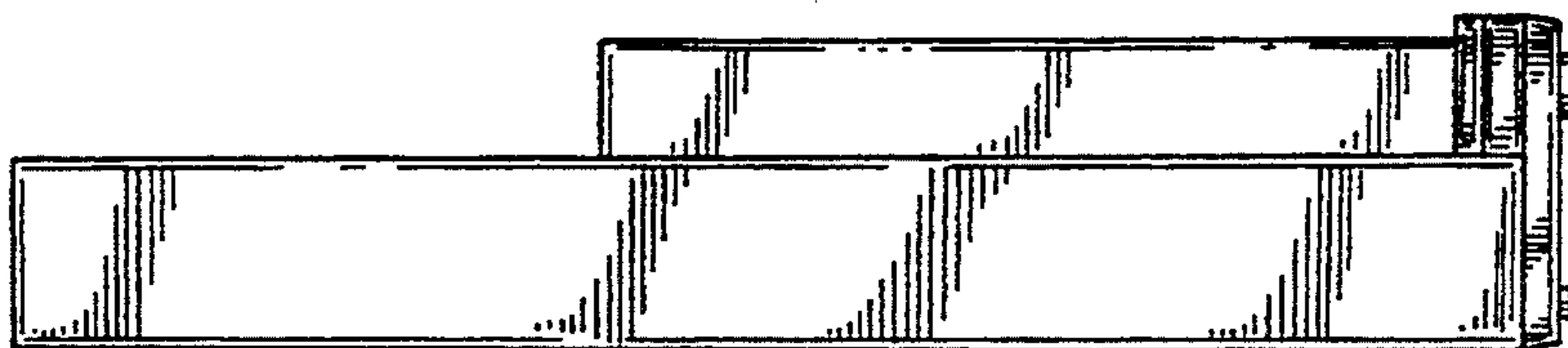


FIG. 7

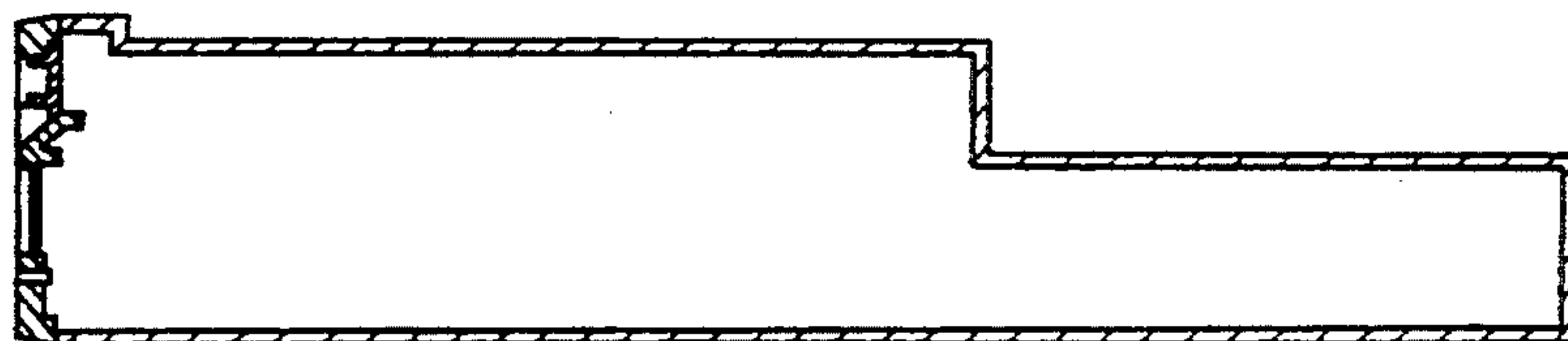


FIG. 6

