



US00D358138S

United States Patent [19]

[11] Patent Number: **Des. 358,138**

Koyanagi et al.

[45] Date of Patent: **** May 9, 1995**

[54] **PORTABLE HARD DISK DRIVE**
[75] Inventors: **Ichiroh Koyanagi**, Yokohama;
Yoshiyuki Manabe, Ebina; **Makoto Ohtsuki**, Yokohama; **Hisashi Shima**, Fujisawa, all of Japan

D. 337,997 8/1983 Brunner et al. D14/109
D. 338,458 8/1993 Guo D14/109
5,253,129 10/1993 Blackburn et al. D14/109

[73] Assignee: **International Business Machines Corporation**, Armonk, N.Y.

OTHER PUBLICATIONS

Computer Shopper May 1990 p. 441—1000 EX/HX
Hard Drive (bottom left corner).

[**] Term: **14 Years**

Primary Examiner—Freda S. Nunn
Attorney, Agent, or Firm—Roy W. Truelson

[21] Appl. No.: **1,339**

[57] CLAIM

[22] Filed: **Nov. 12, 1992**

The ornamental design for a portable hard disk drive, as shown and described.

[30] Foreign Application Priority Data

May 12, 1992 [JP] Japan 4-13594

DESCRIPTION

[52] U.S. Cl. **D14/109**

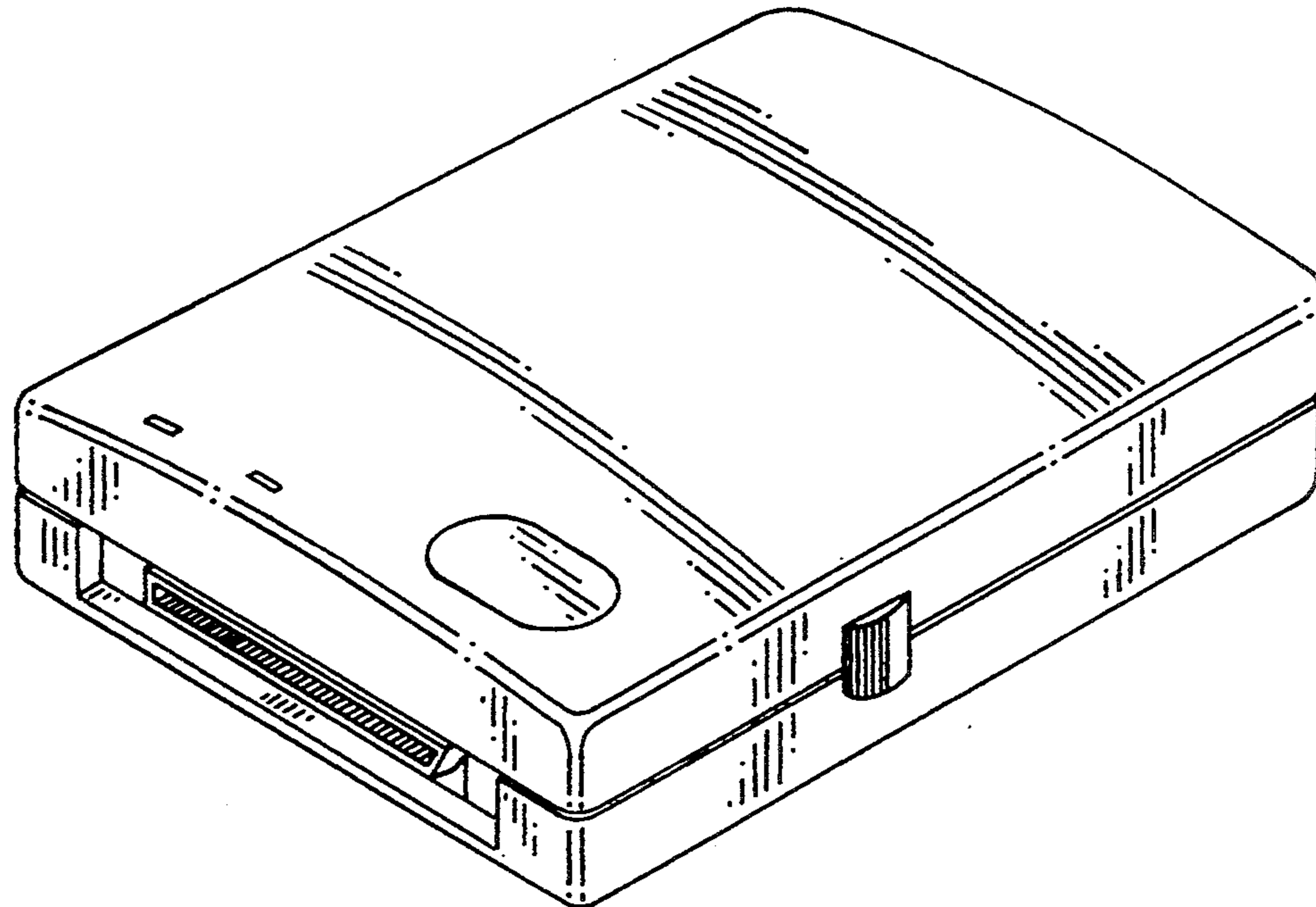
[58] Field of Search D14/100, 107, 108, 109;
D13/162, 184, 199; 312/208.1; 360/99.12;
361/622, 724, 727

FIG. 1 is a top, front, right side perspective view of a portable hard disk drive showing our new design;
FIG. 2 is a front elevational view thereof on a reduced scale;
FIG. 3 is a top plan view thereof;
FIG. 4 is a left side elevational view thereof;
FIG. 5 is a rear elevational view thereof;
FIG. 6 is a bottom plan view thereof; and,
FIG. 7 is a right side elevational view thereof.

[56] References Cited

U.S. PATENT DOCUMENTS

D. 329,229 9/1992 Koch et al. D14/109



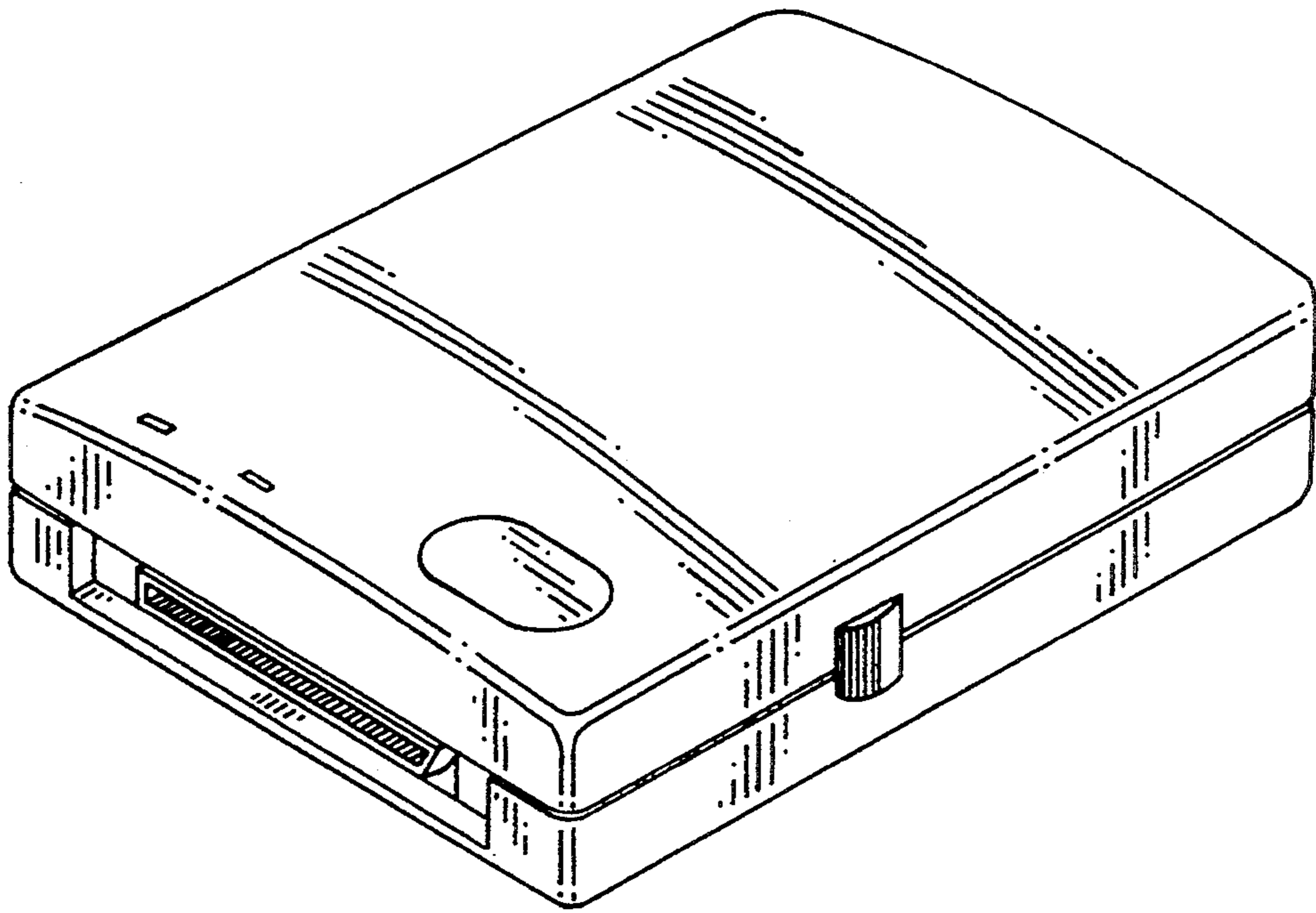


FIG. 1

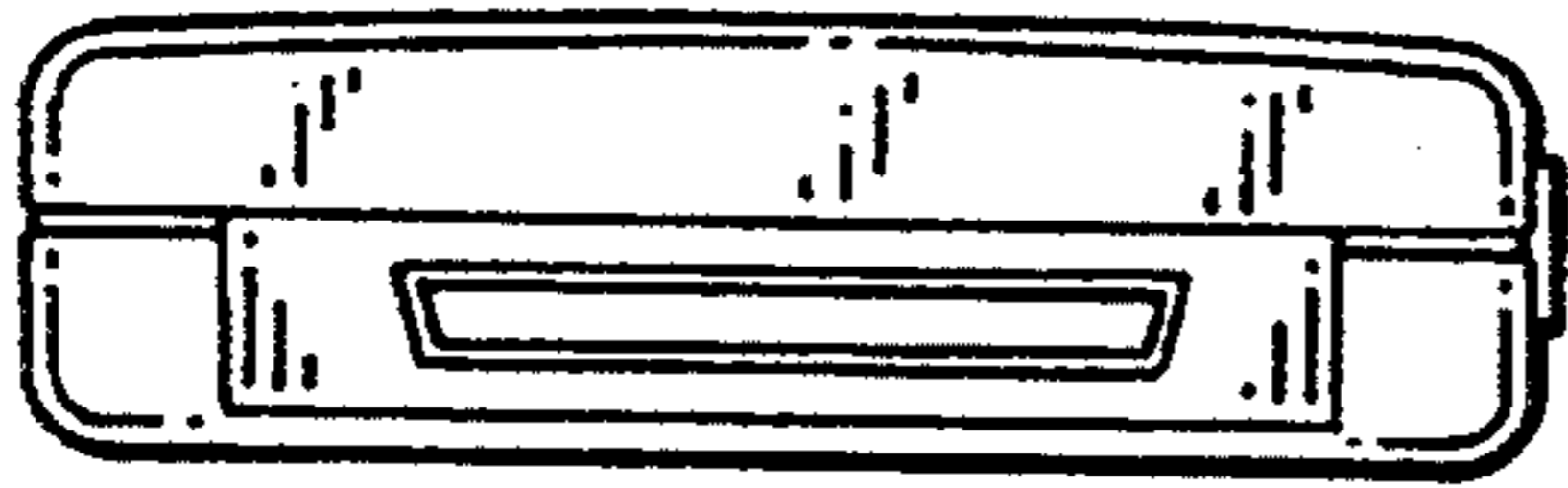


FIG. 2

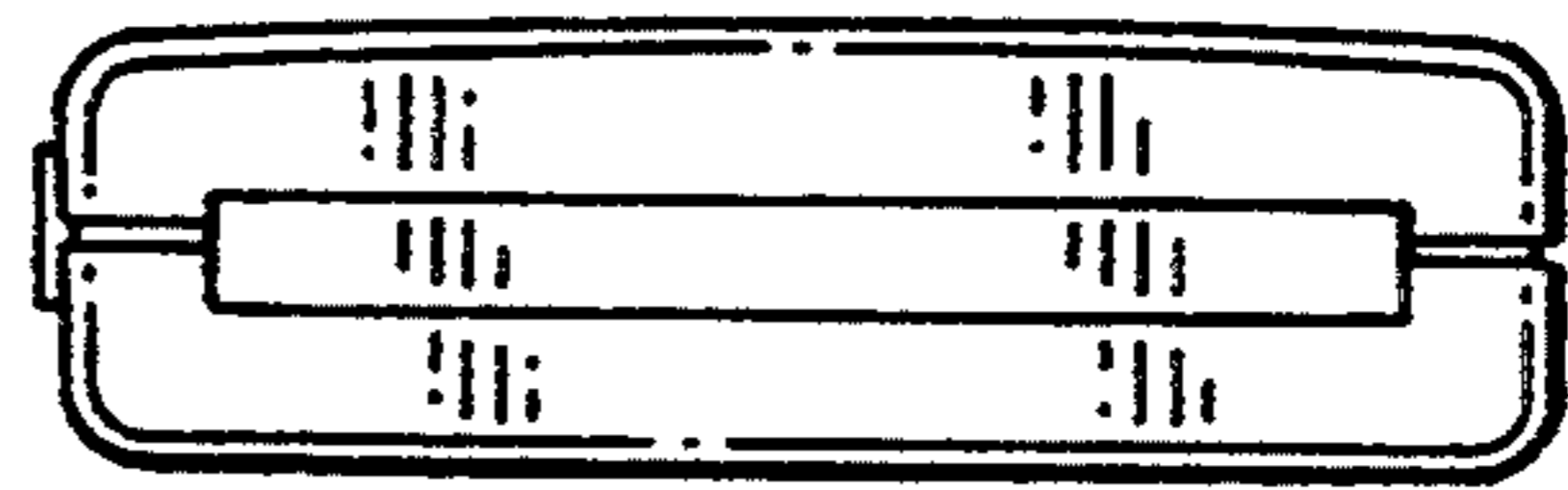


FIG. 5

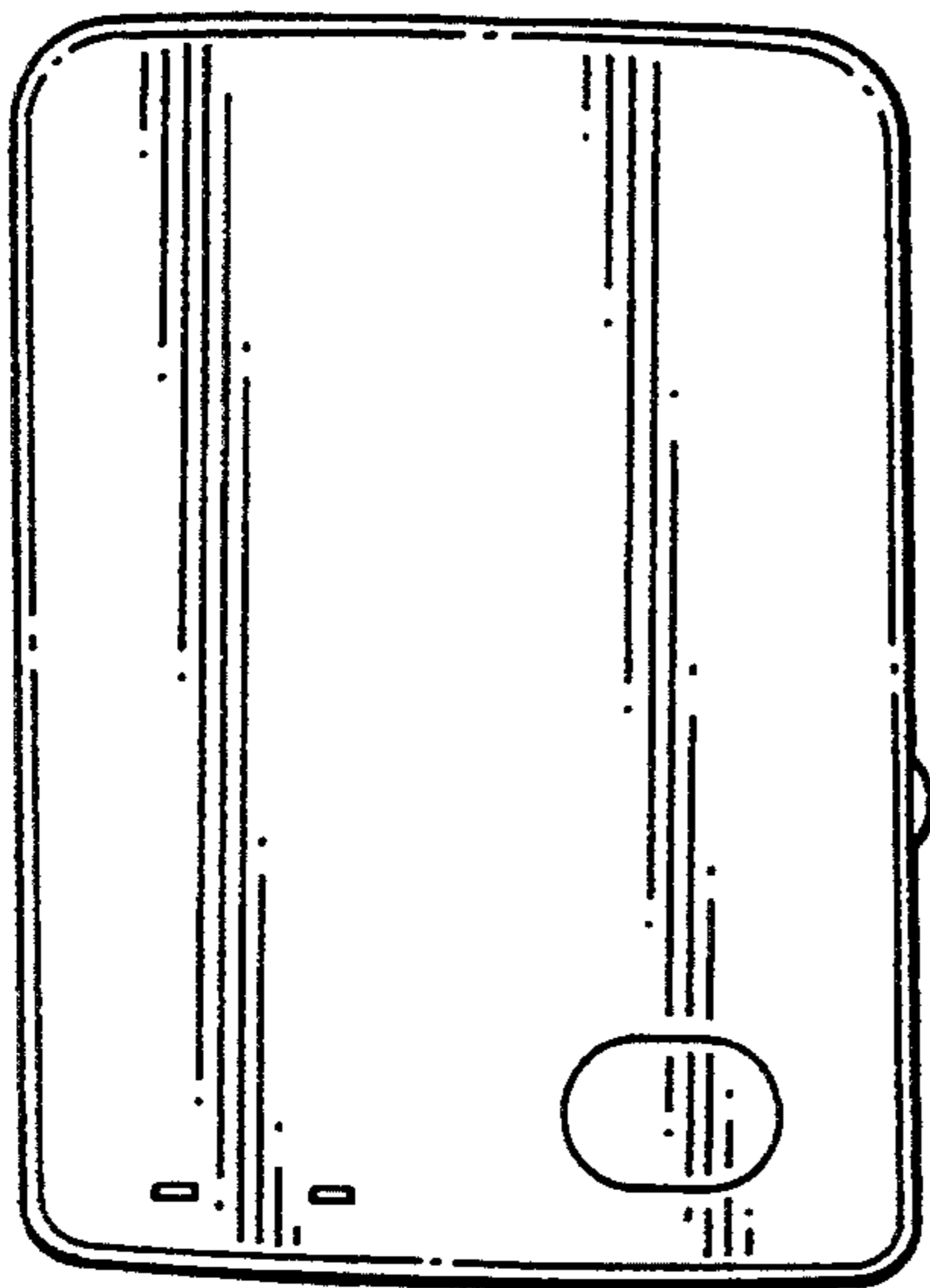


FIG. 3

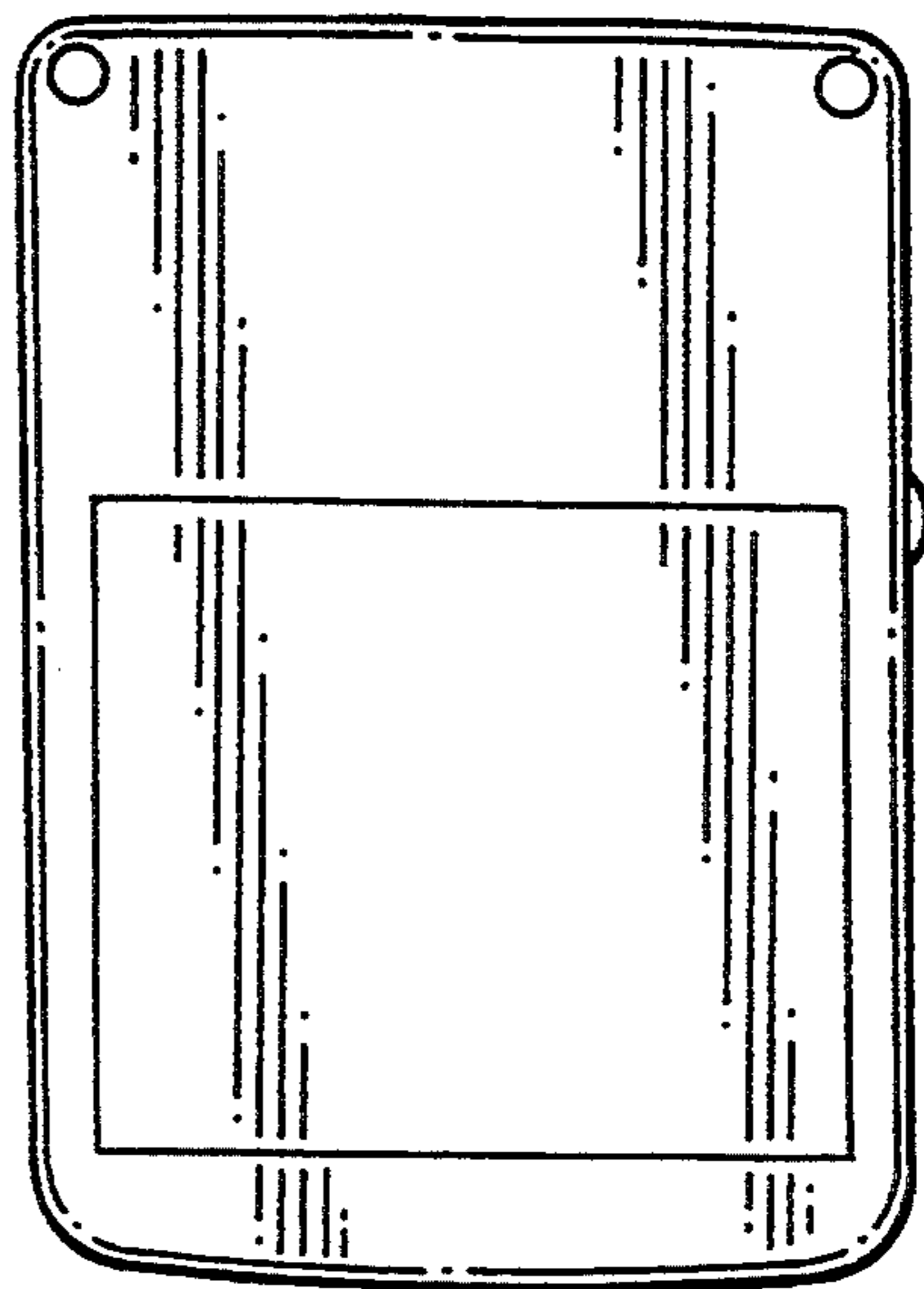


FIG. 6

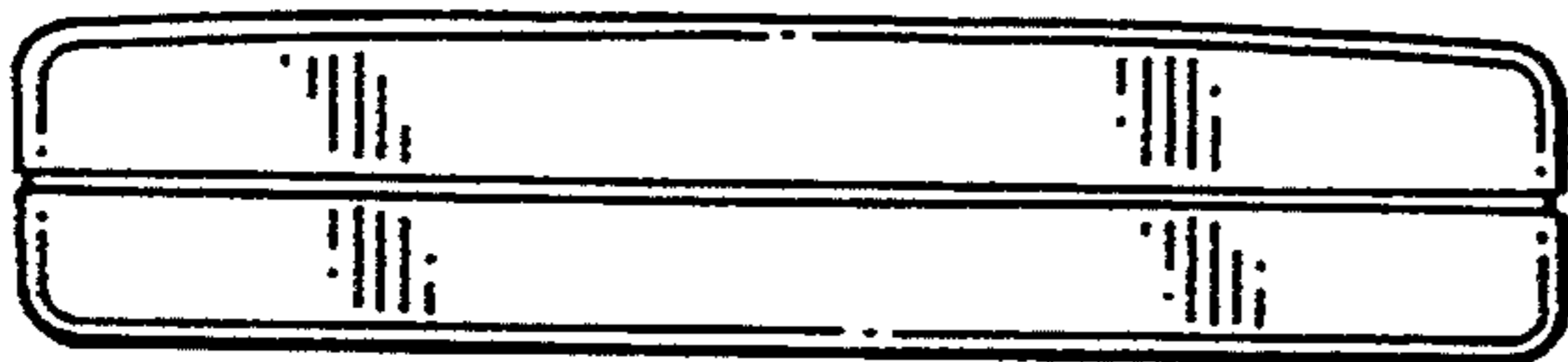


FIG. 4

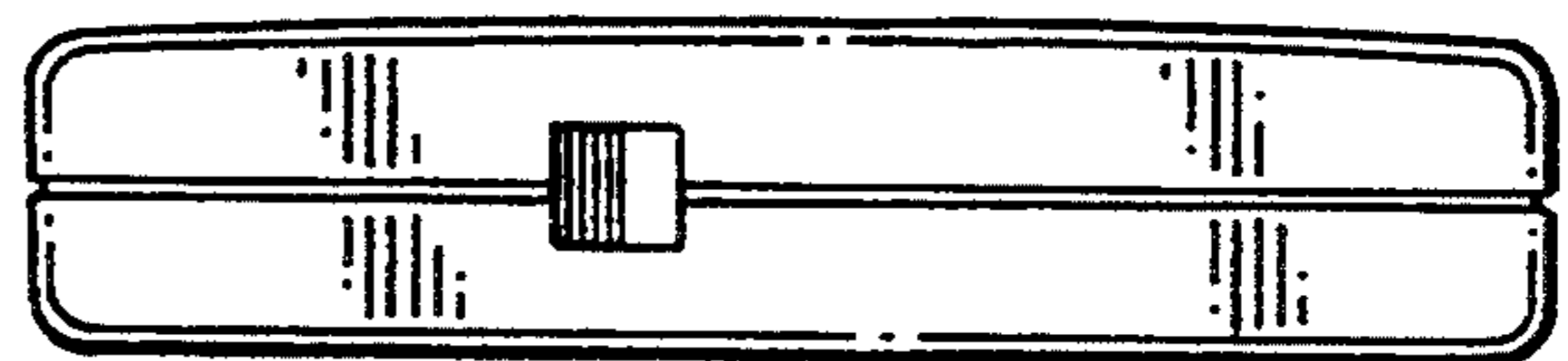


FIG. 7