



US00D358136S

# United States Patent [19]

[11] Patent Number: **Des. 358,136**

Samuelson

[45] Date of Patent: **\*\* May 9, 1995**

## [54] INTEGRATED PORTABLE COMPUTER AND PRINTER

[75] Inventor: **Robert R. Samuelson**, Kettering, Ohio

[73] Assignee: **NCR Corporation**, Dayton, Ohio

[\*\*] Term: **14 Years**

[21] Appl. No.: **4,847**

[22] Filed: **Feb. 10, 1993**

[52] U.S. Cl. .... **D14/106**

[58] Field of Search ..... **D14/100, 106, 113, 115; D18/1, 7, 11, 12, 52; 235/145 A, 145 R; 341/22, 23; 345/168, 169, 172, 173; 364/708.1, 709.12; 361/679-683**

### [56] References Cited

#### U.S. PATENT DOCUMENTS

D. 290,845	7/1987	Yubisui et al. ....	D18/52 X
D. 333,815	3/1993	Mizusugi et al. ....	D14/106
D. 335,869	5/1993	Iino .....	D14/106
D. 344,497	2/1994	Matsumoto .....	D14/106
D. 344,720	3/1994	Inukai .....	D14/106
4,839,837	6/1989	Chang .....	364/708
4,851,812	7/1989	Holmberg .....	340/407
4,859,092	8/1989	Makita .....	D18/52 X
4,864,523	9/1989	Sasaki .....	361/680

#### OTHER PUBLICATIONS

Dayton Daily News, "This Pad is Rad", Jan. 21, 1993.

Primary Examiner—Freda S. Nunn

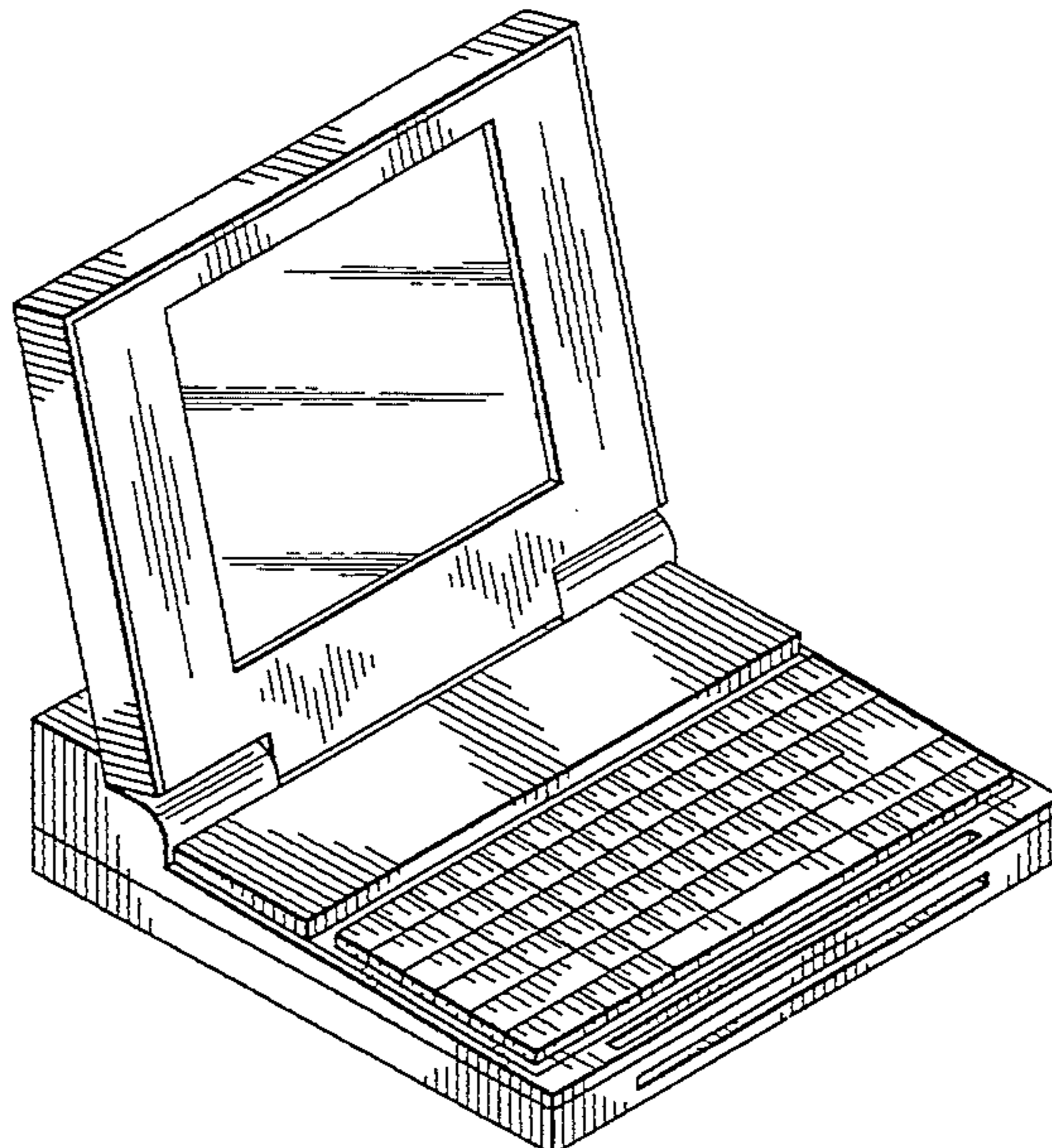
Attorney, Agent, or Firm—Paul W. Martin

### [57] CLAIM

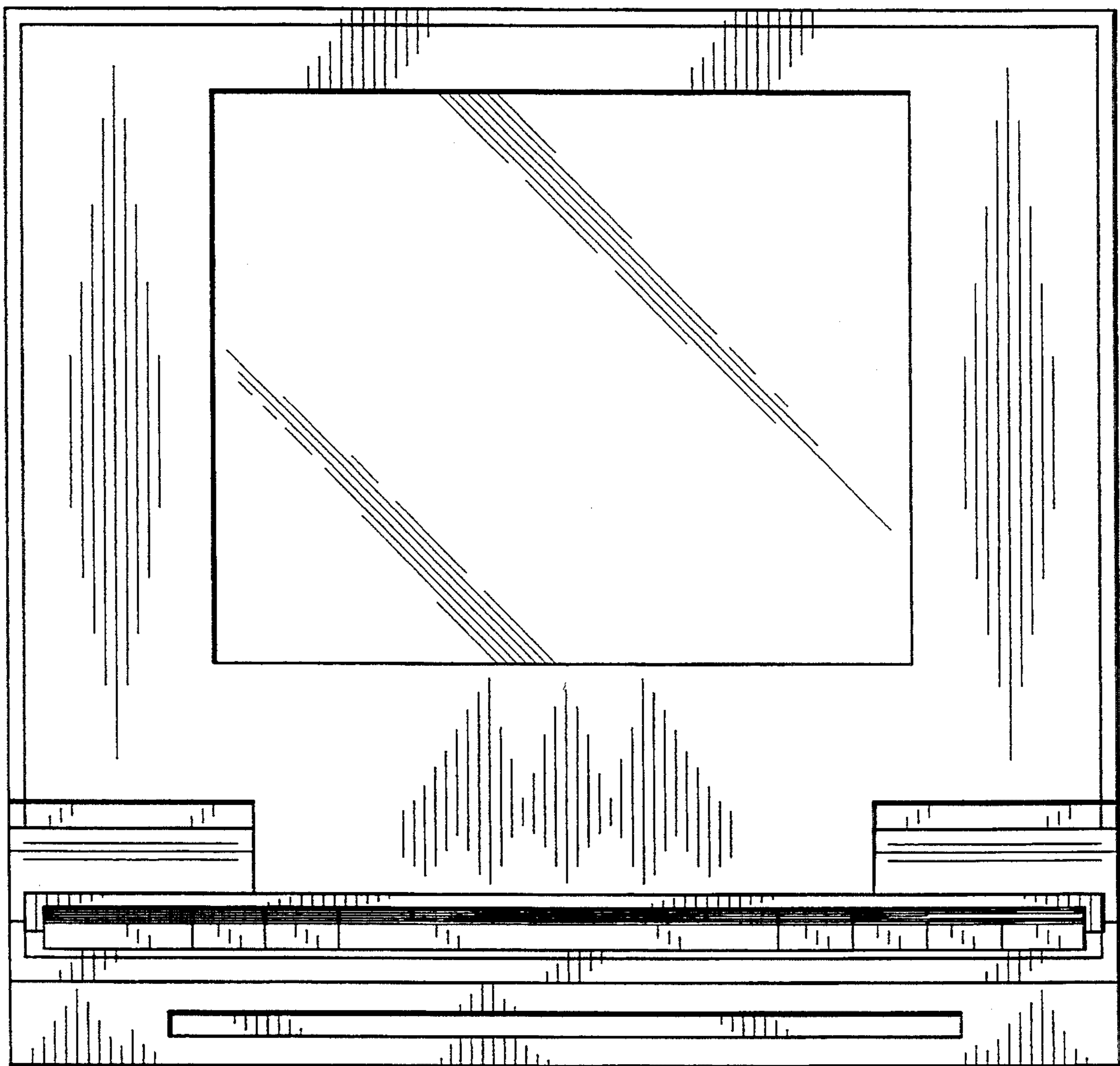
The ornamental design for an integrated portable computer and printer, as shown and described.

### DESCRIPTION

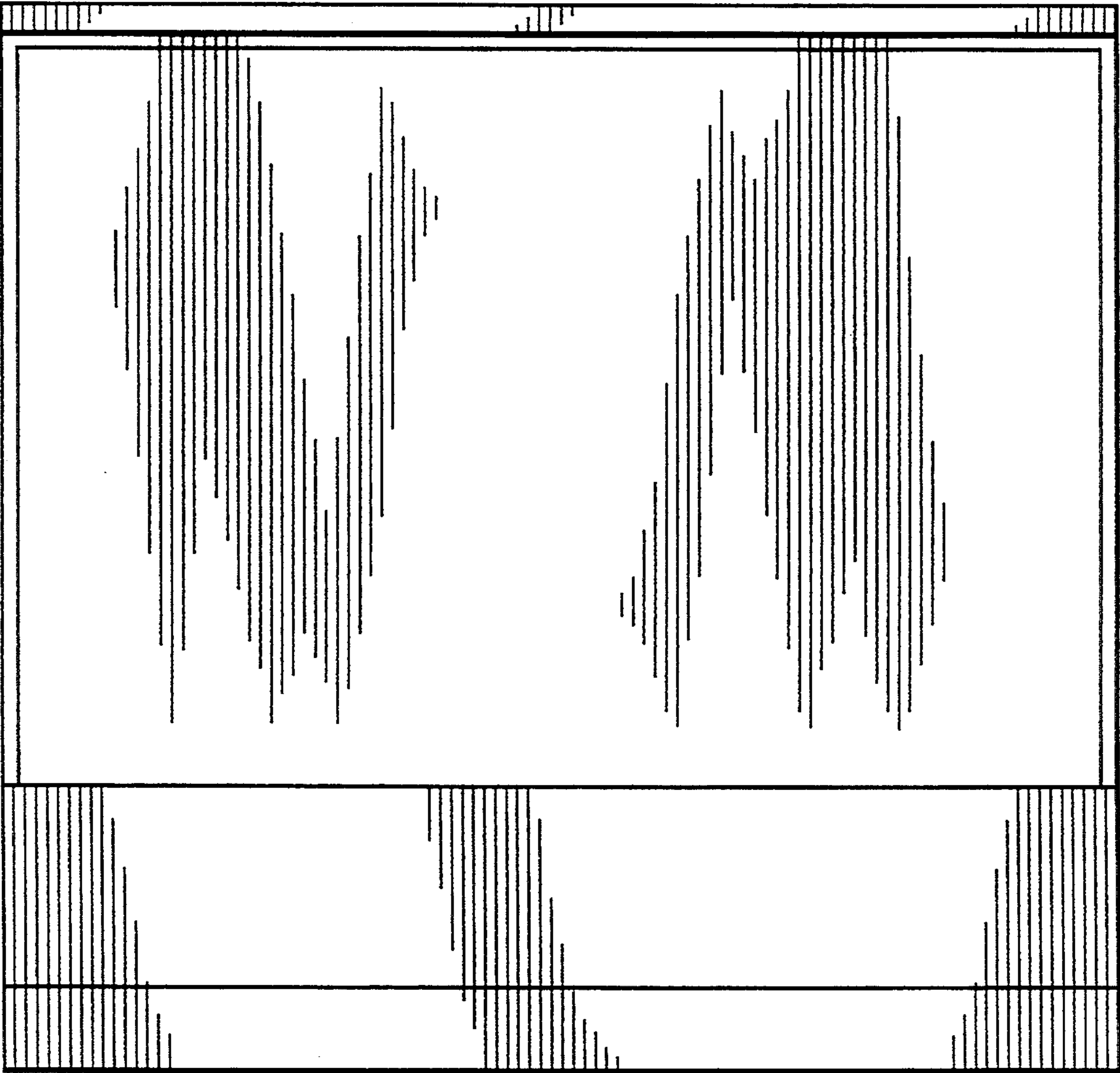
FIG. 1 is a front view of an integrated portable computer and printer showing my new design; FIG. 2 is a rear view of the integrated portable computer and printer of FIG. 1; FIG. 3 is a right side view of the integrated portable computer and printer of FIG. 1; FIG. 4 is a left side view of the integrated portable computer and printer of FIG. 1; FIG. 5 is a top view of the integrated portable computer and printer of FIG. 1; FIG. 6 is a left front perspective view of the integrated portable computer and printer of FIG. 1; FIG. 7 is a front view of a second embodiment of the integrated portable computer and printer showing my new design; FIG. 8 is a right side view of the integrated portable computer and printer of FIG. 7; FIG. 9 is a left side view of the integrated portable computer and printer of FIG. 7; FIG. 10 is a top view of the integrated portable computer and printer of FIG. 7; FIG. 11 is a left front perspective view of the integrated portable computer and printer of FIG. 7; FIG. 12 is a front view of a third embodiment of the integrated portable computer and printer showing my new design; FIG. 13 is a rear view of the integrated portable computer and printer of FIG. 12; FIG. 14 is a right side view of the integrated portable computer and printer of FIG. 12; FIG. 15 is a left side view of the integrated portable computer and printer of FIG. 12; and, FIG. 16 is a left front perspective view of the integrated portable computer and printer of FIG. 12; and, FIG. 17 is a bottom view of the integrated computer and printer of FIG. 12, the undisclosed bottom views of the first and second embodiments being identical in appearance, and FIGS. 3, 4, 6, 8, 9, 11, and 14-16 have been drawn on a reduced scale.



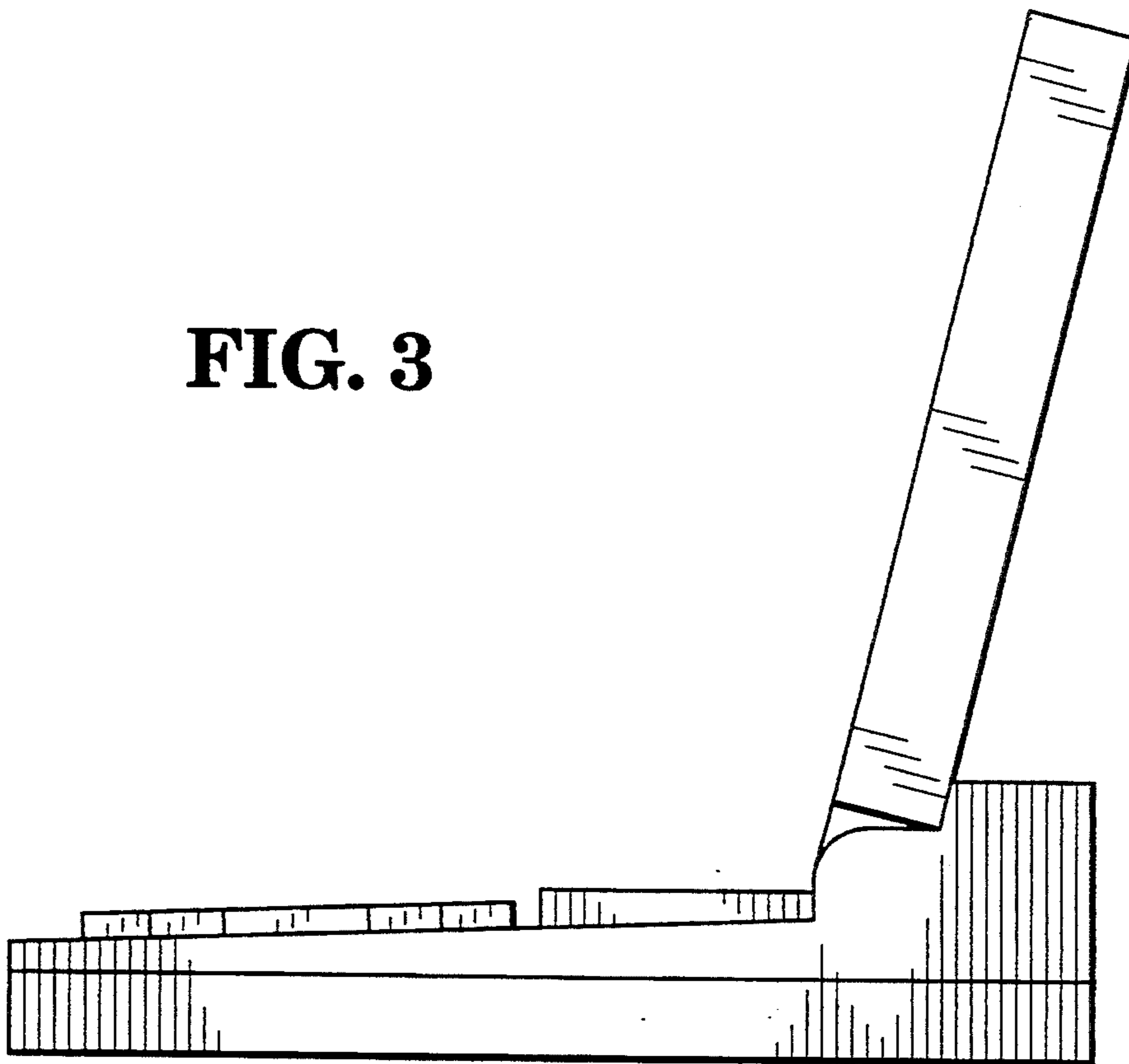
**FIG. 1**



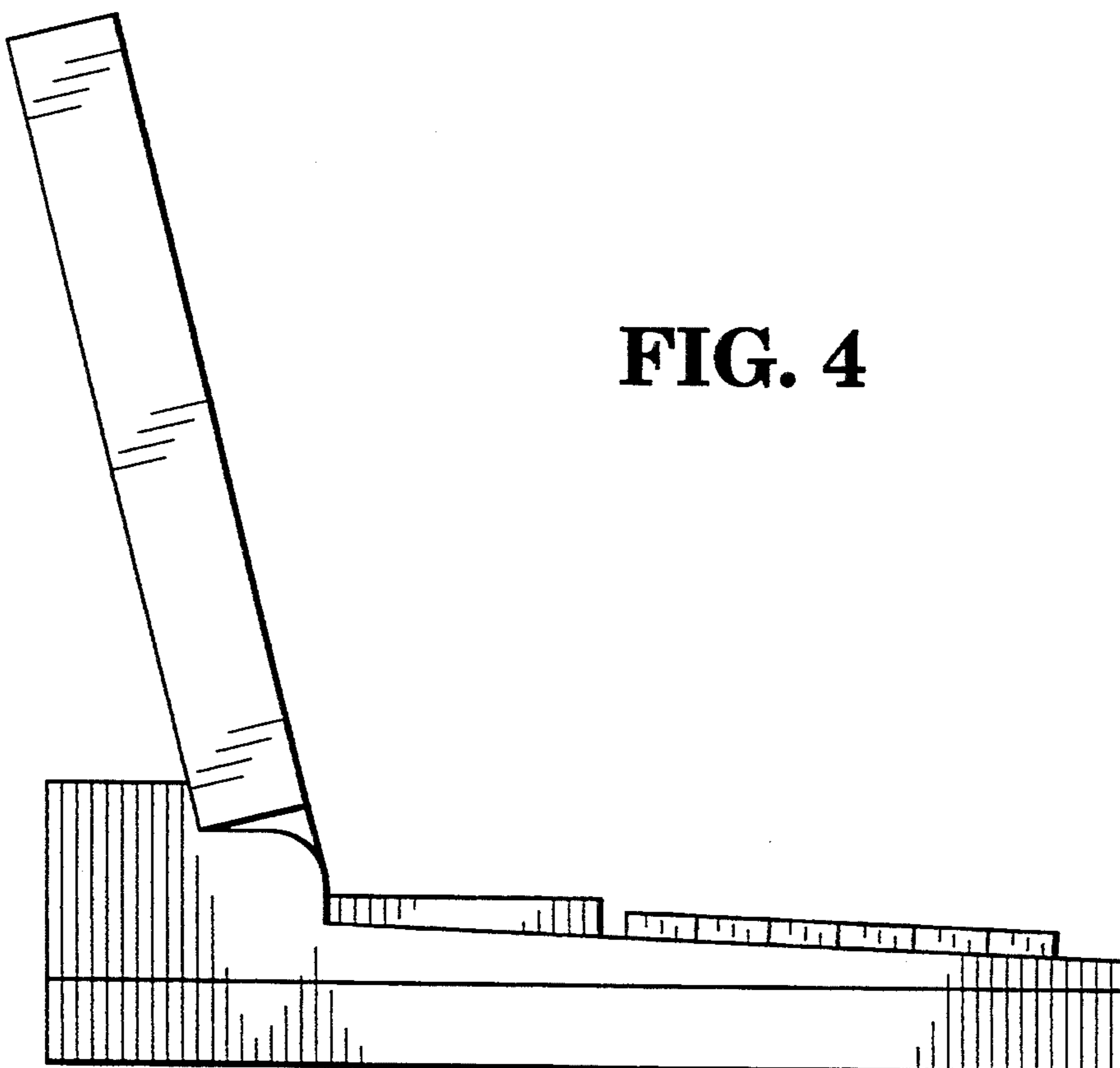
**FIG. 2**



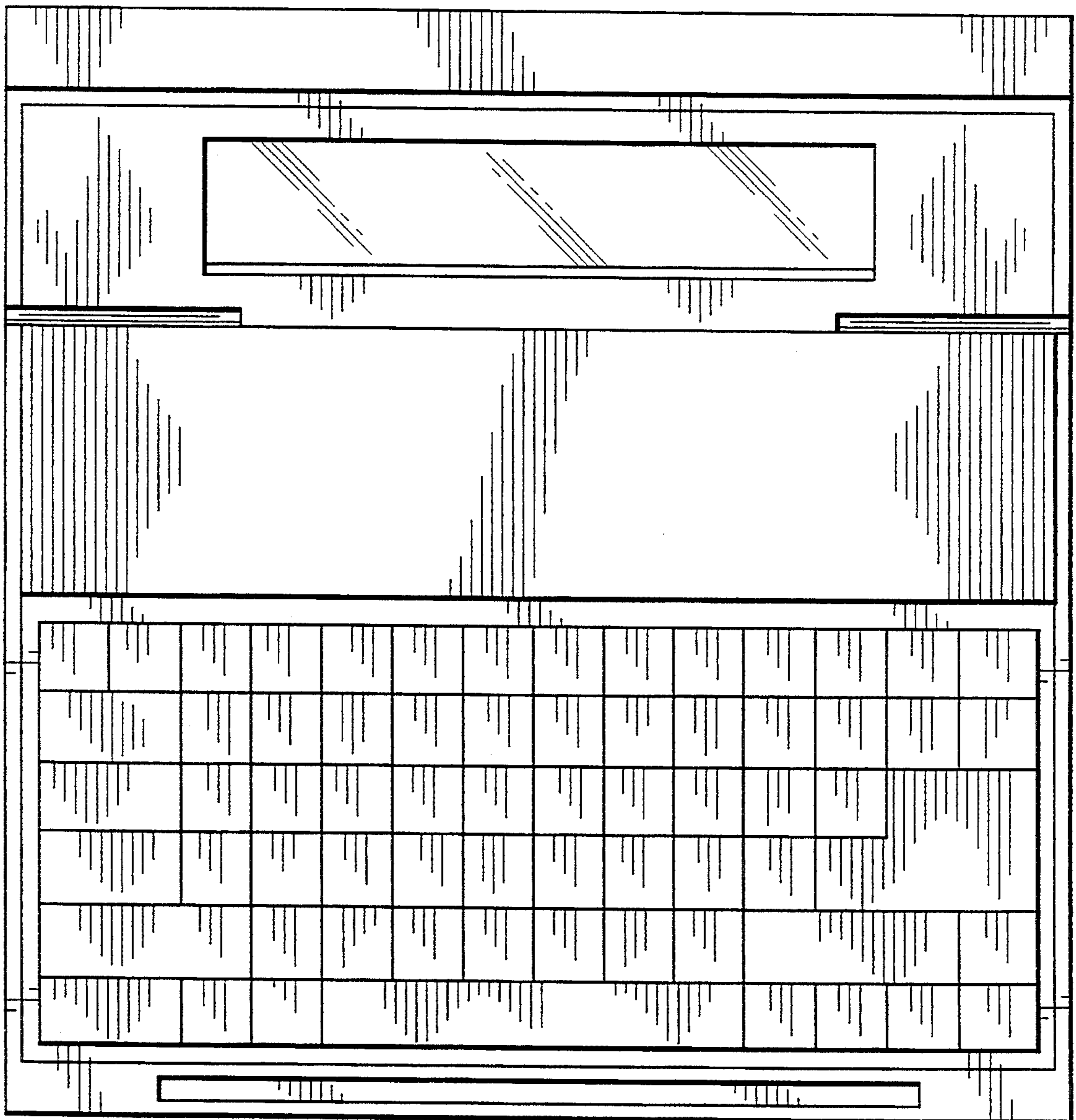
**FIG. 3**



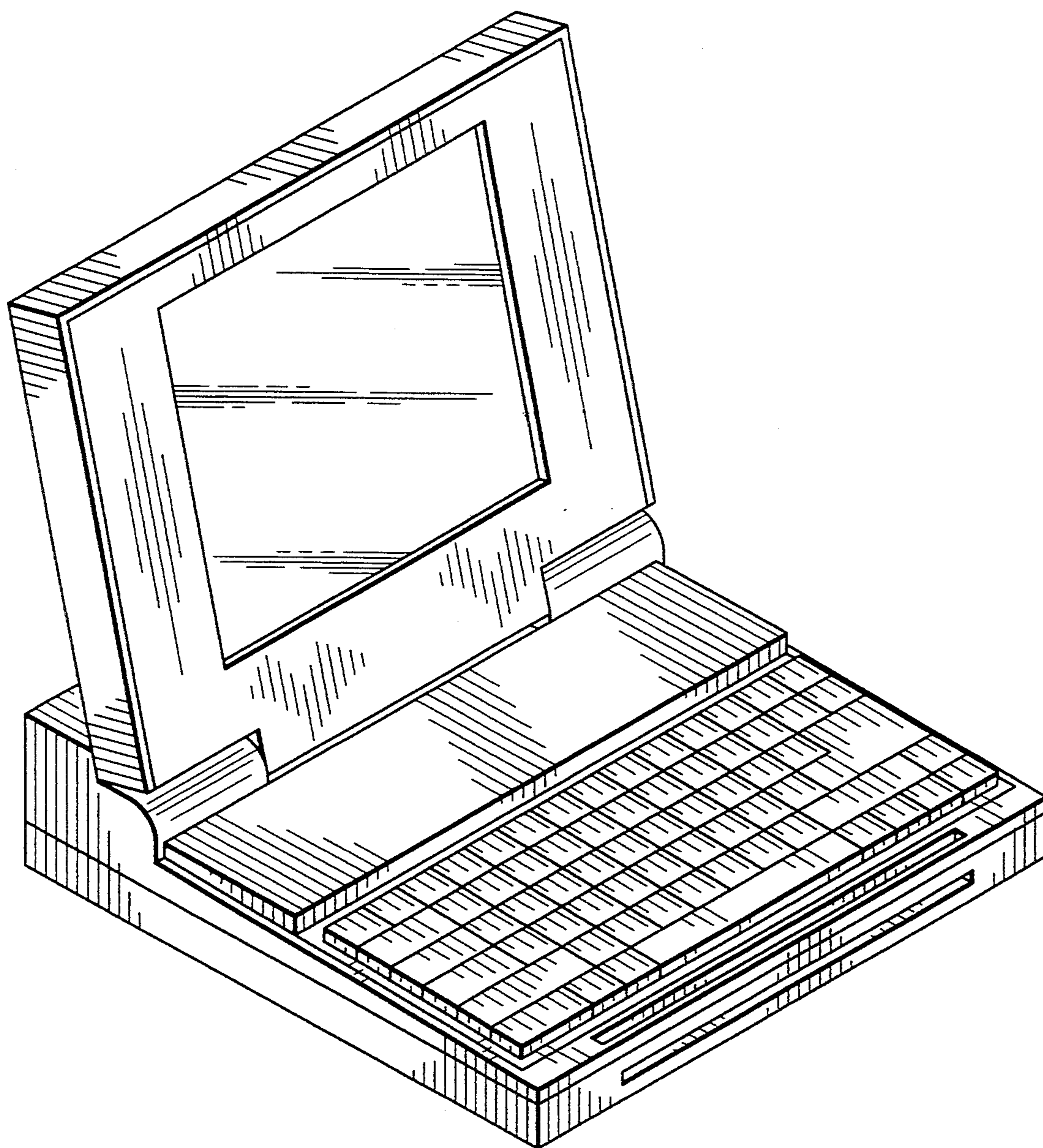
**FIG. 4**



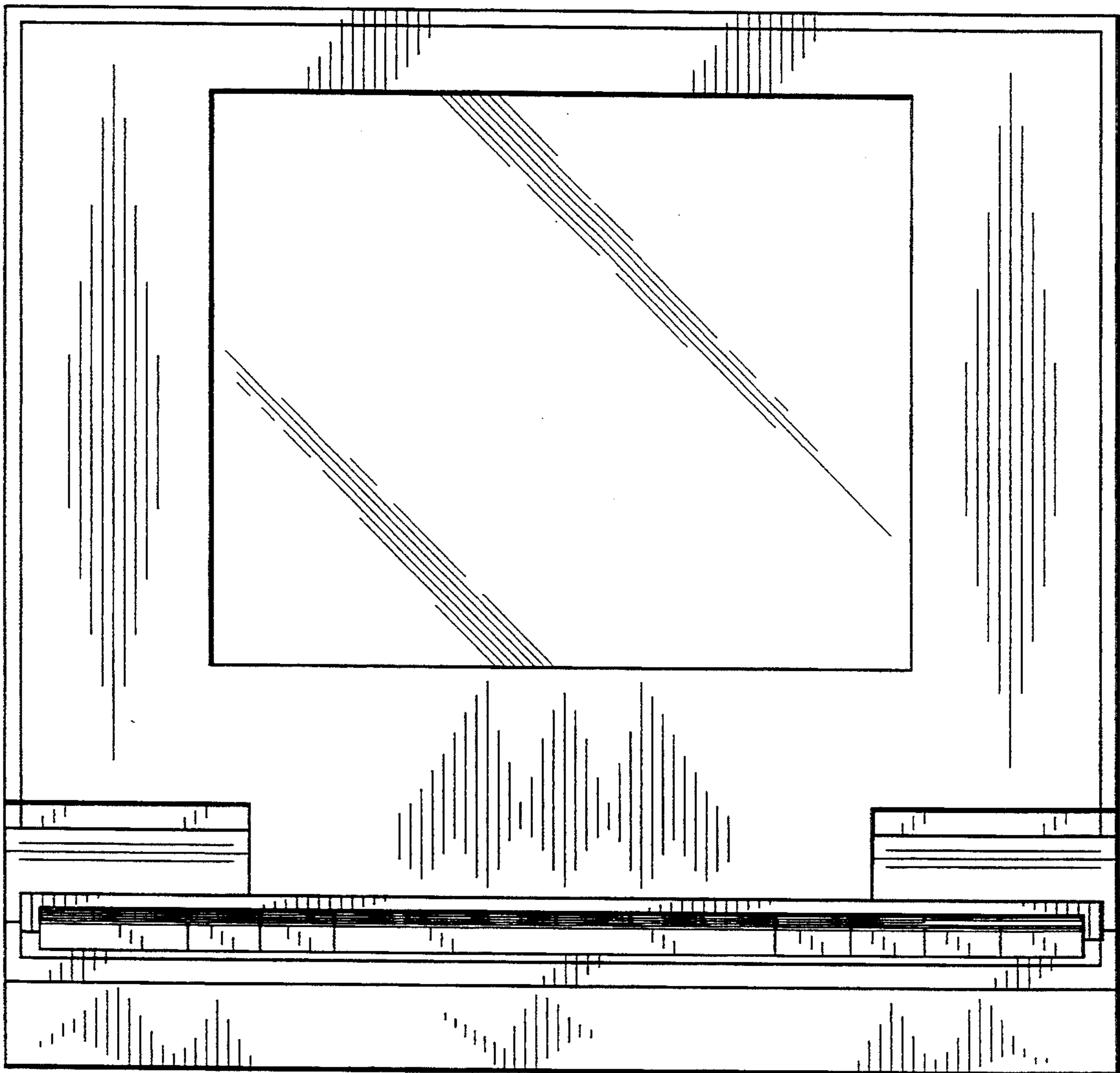
**FIG. 5**



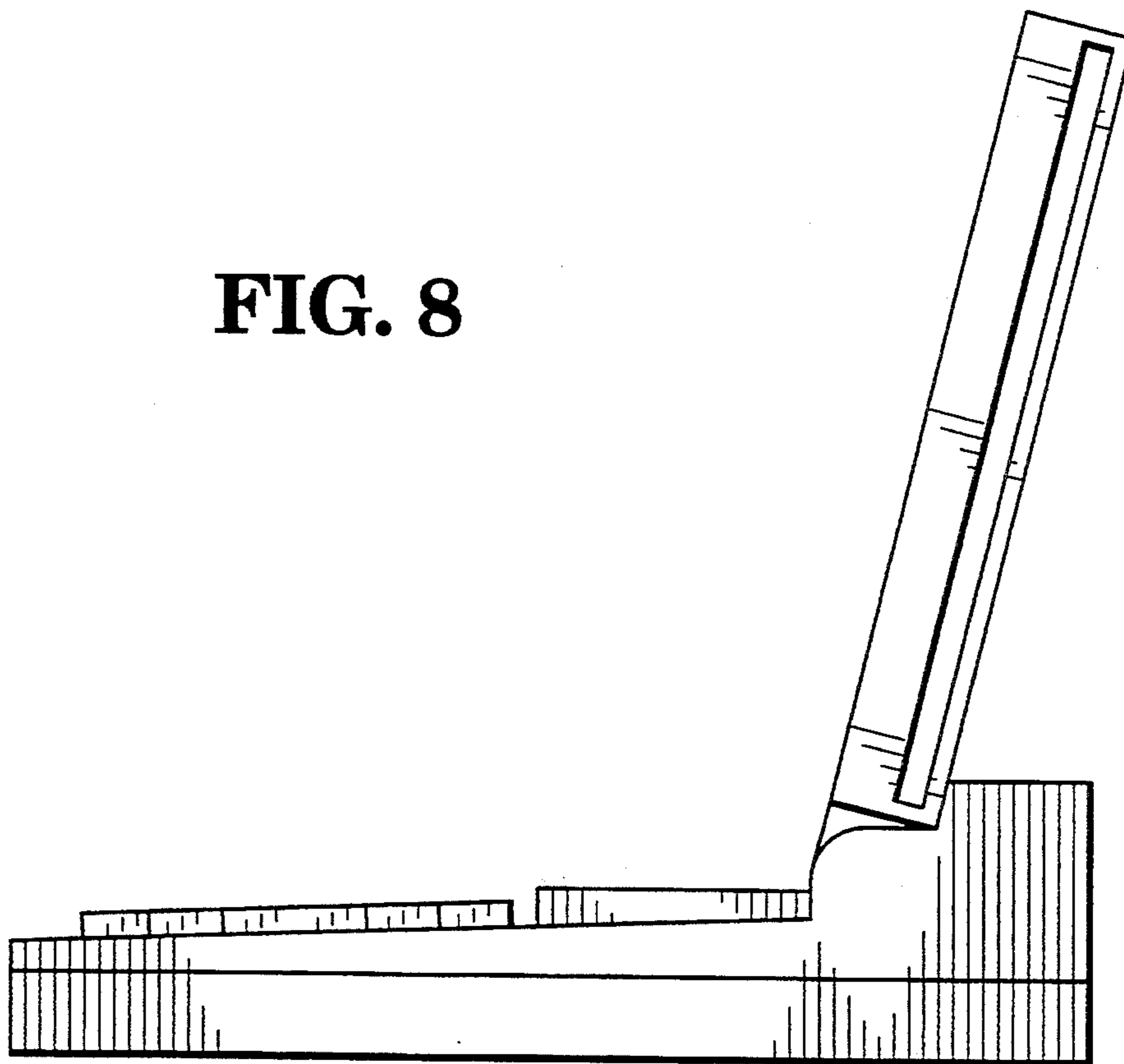
**FIG. 6**



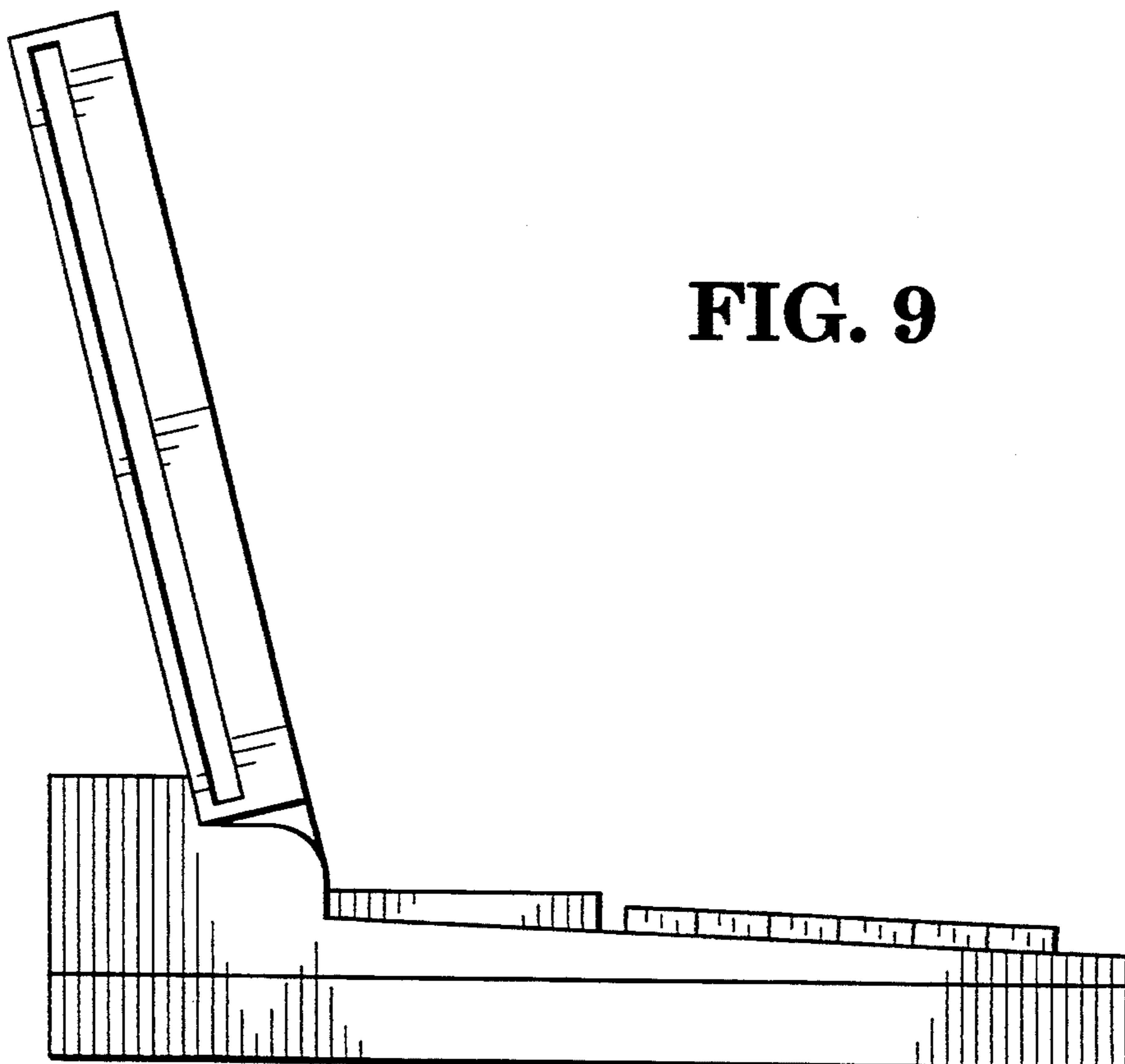
**FIG. 7**



**FIG. 8**

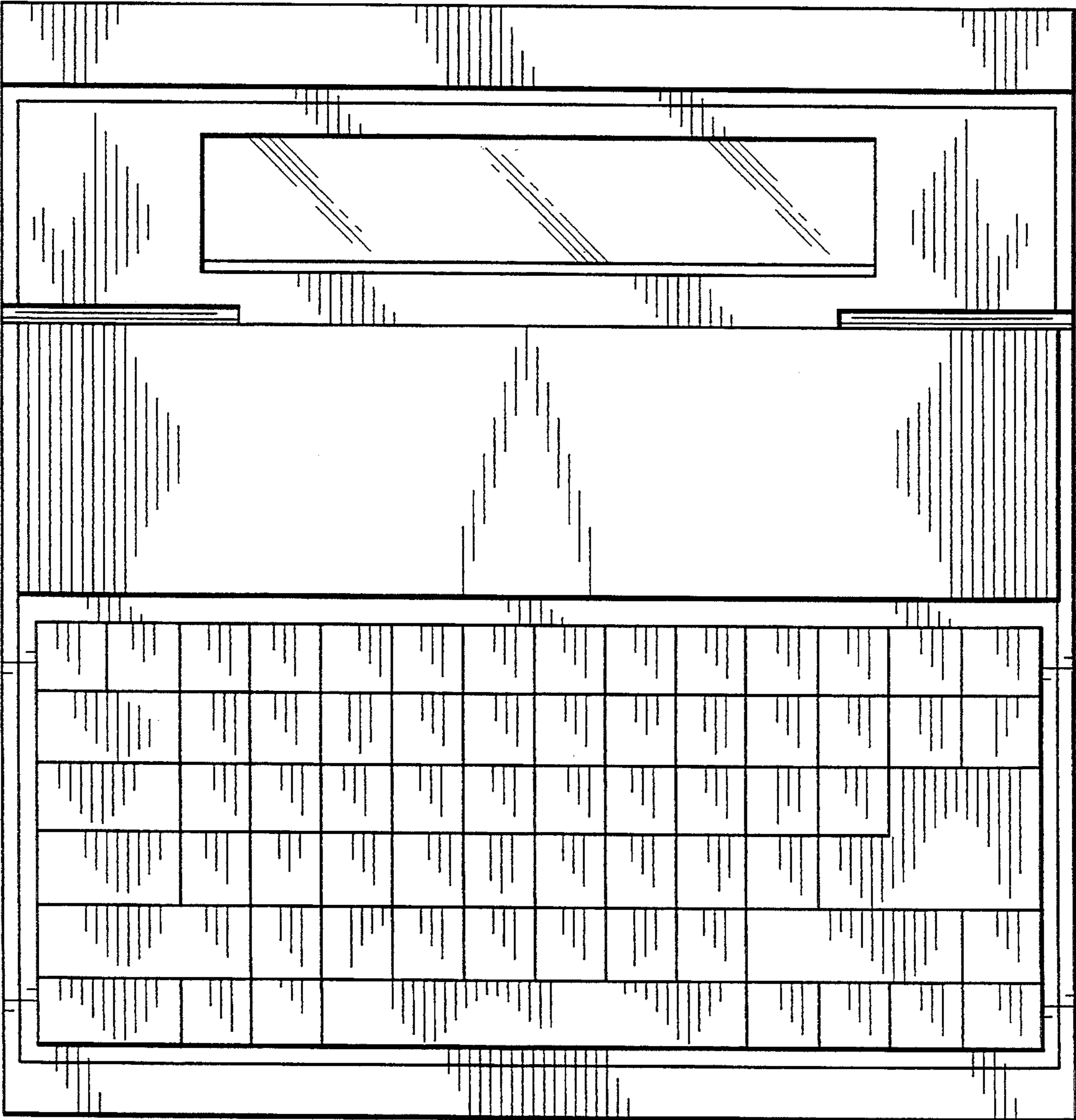


**FIG. 9**

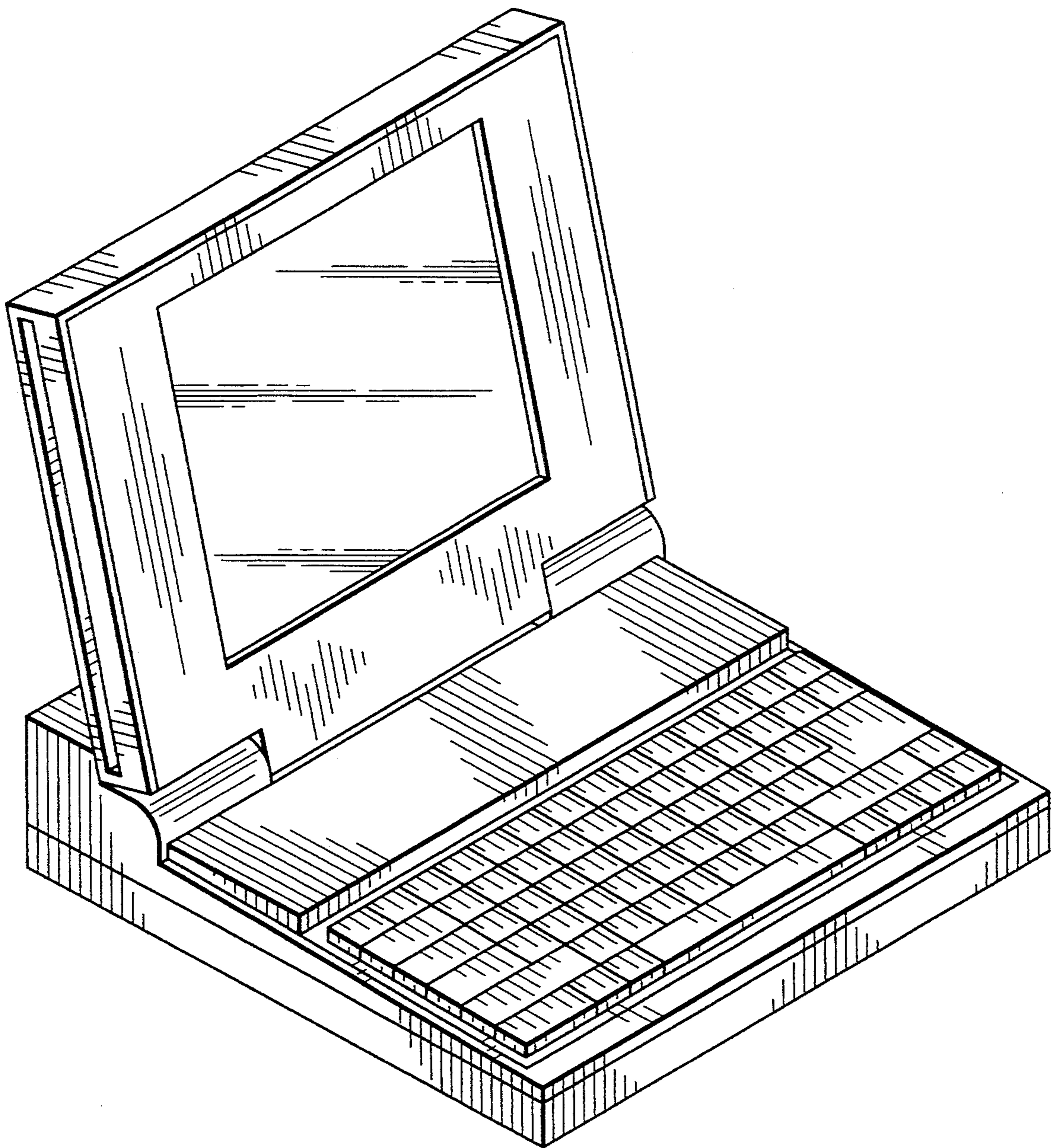




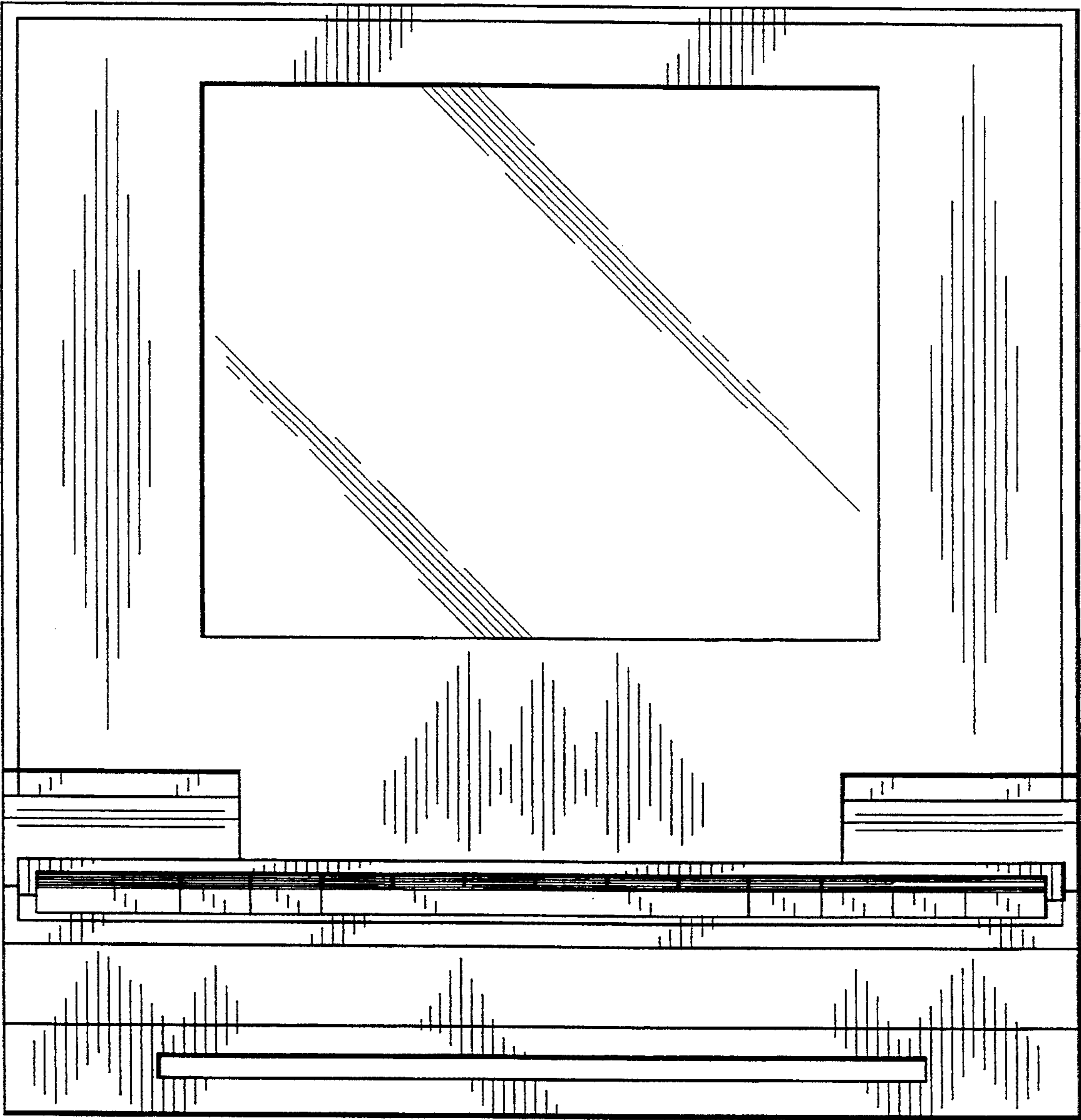
**FIG. 10**



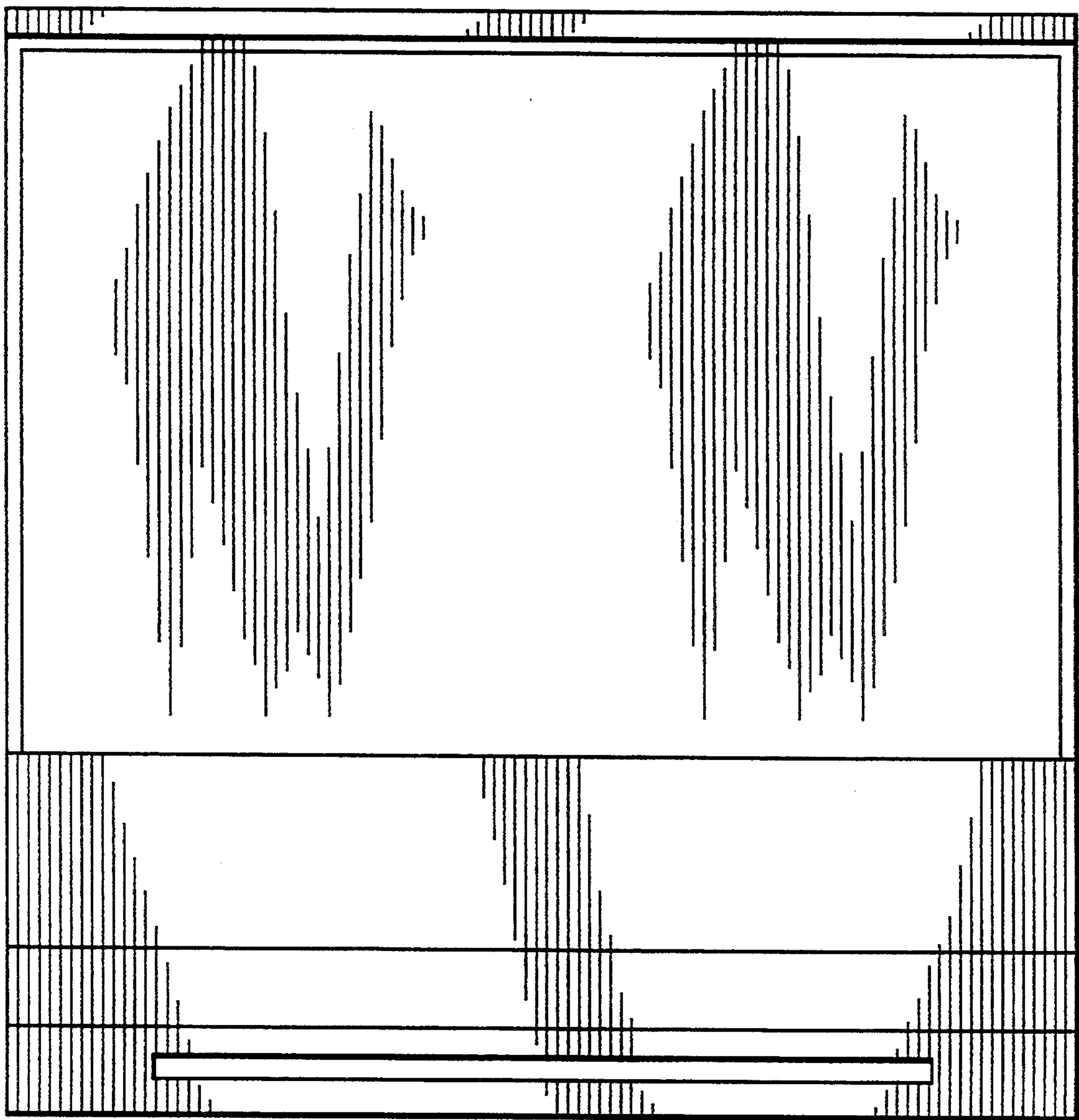
**FIG. 11**



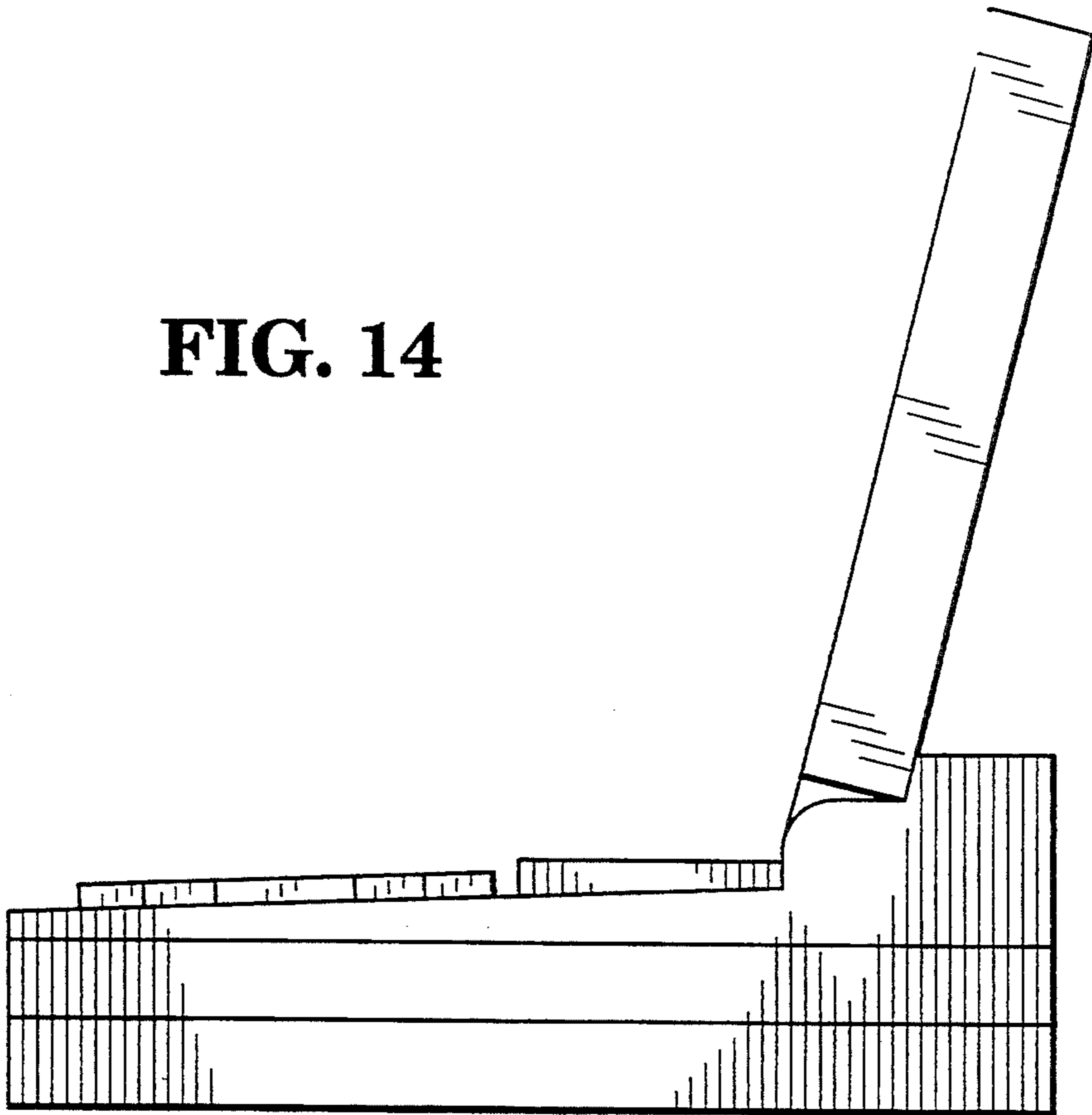
**FIG. 12**



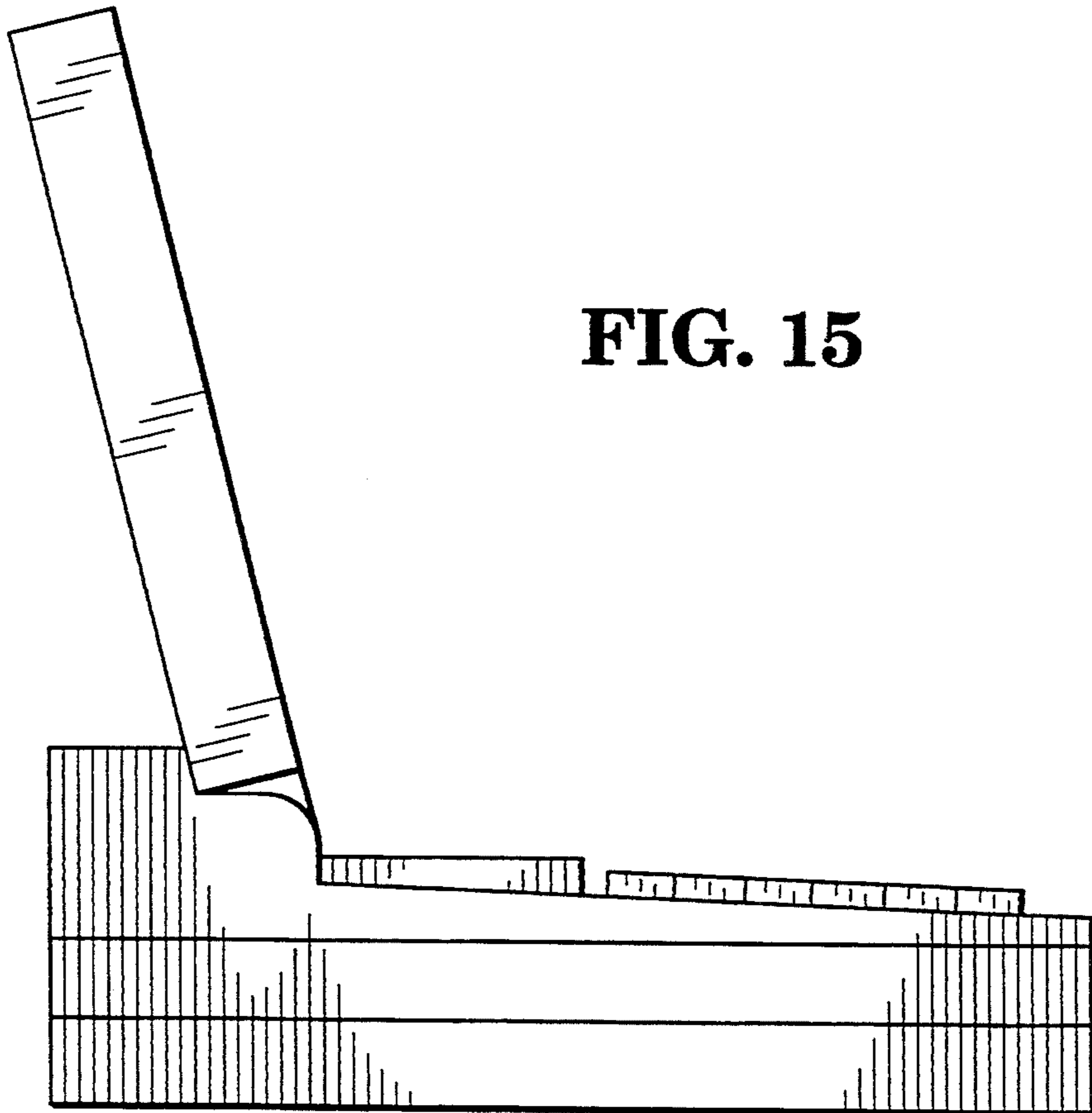
**FIG. 13**



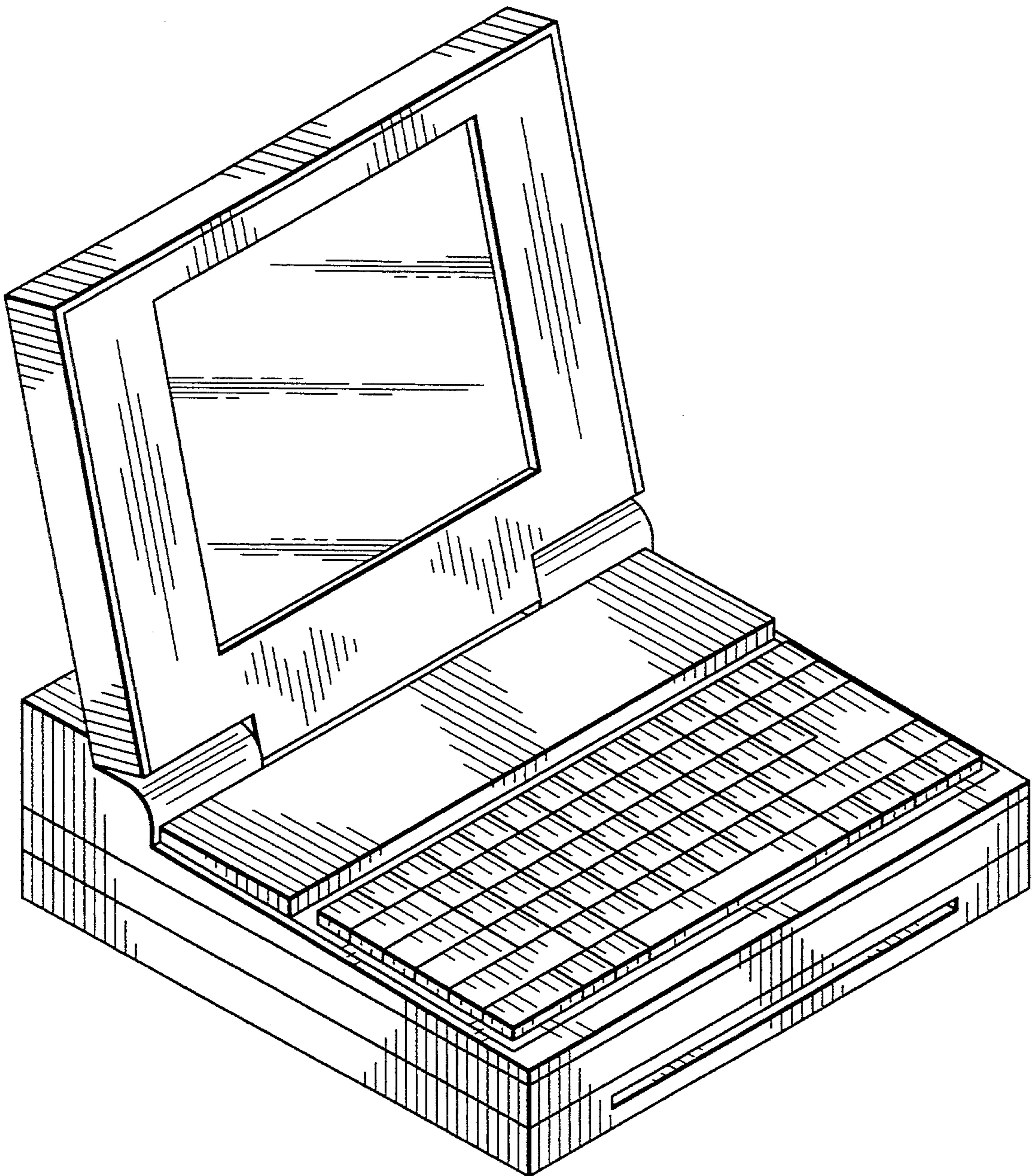
**FIG. 14**



**FIG. 15**



**FIG. 16**



**FIG. 17**

