



US00D358130S

United States Patent [19]

[11] Patent Number: **Des. 358,130**

Humphreys et al.

[45] Date of Patent: **** May 9, 1995**

[54] BATTERY

[75] Inventors: **John K. Humphreys; John H. Watters**, both of Manchester; **Brian Collier**, Bolton, all of England

[73] Assignee: **Chloride Industrial Batteries Limited**, United Kingdom

[**] Term: **14 Years**

[21] Appl. No.: **22,990**

[22] Filed: **May 16, 1994**

[30] Foreign Application Priority Data

Dec. 1, 1993 [GB] United Kingdom 2035583

[52] U.S. Cl. **D13/104; D13/106**

[58] Field of Search D13/103, 104, 106; 429/96, 97, 98, 99, 100, 163, 176, 179, 187

[56] References Cited

U.S. PATENT DOCUMENTS

- D. 266,757 11/1982 Campbell et al. D13/106
- D. 303,653 9/1989 Lopez-Doriga D13/106
- 4,013,819 3/1977 Grabb 429/187
- 4,724,190 2/1988 Siga et al. 429/176 X

FOREIGN PATENT DOCUMENTS

1453977 10/1976 United Kingdom 429/187

OTHER PUBLICATIONS

Dryfit batteries on p. 229 of *Design News*, Feb. 2, 1989.

Primary Examiner—Joel Sincavage

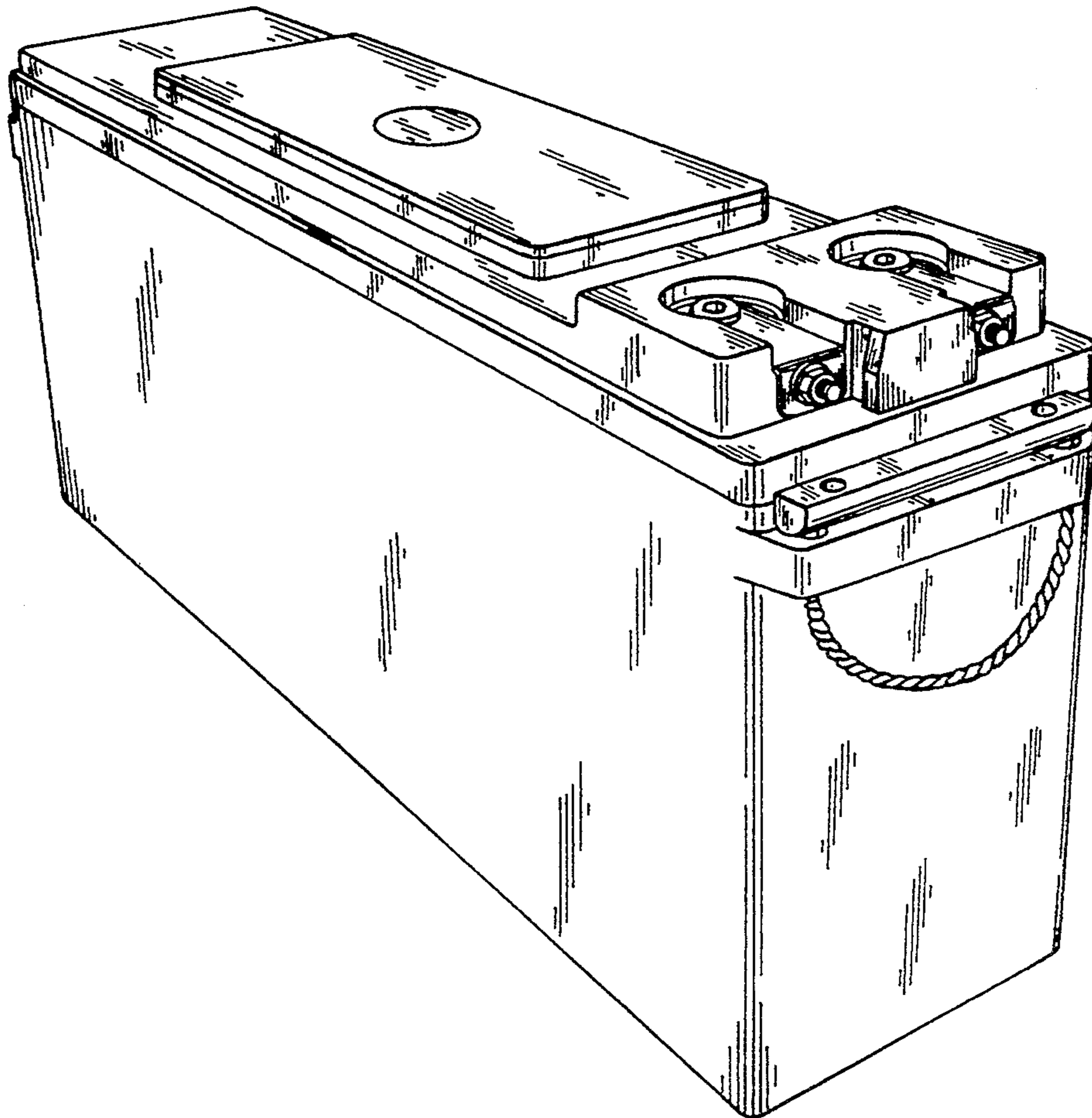
Attorney, Agent, or Firm—Stevens, Davis, Miller & Mosher

[57] CLAIM

The ornamental design for battery, as shown and described.

DESCRIPTION

FIG. 1 is a perspective view from one side and one end of the battery of my new design;
 FIG. 2 is a view from the opposite side;
 FIG. 3 is a view from the opposite end;
 FIG. 4 is a view from the one side;
 FIG. 5 is a view from the one end;
 FIG. 6 is a top plan view;
 FIG. 7 is an underneath rear view; and,
 FIG. 8 is a perspective view from the one side and the one end showing handles in a raised condition.



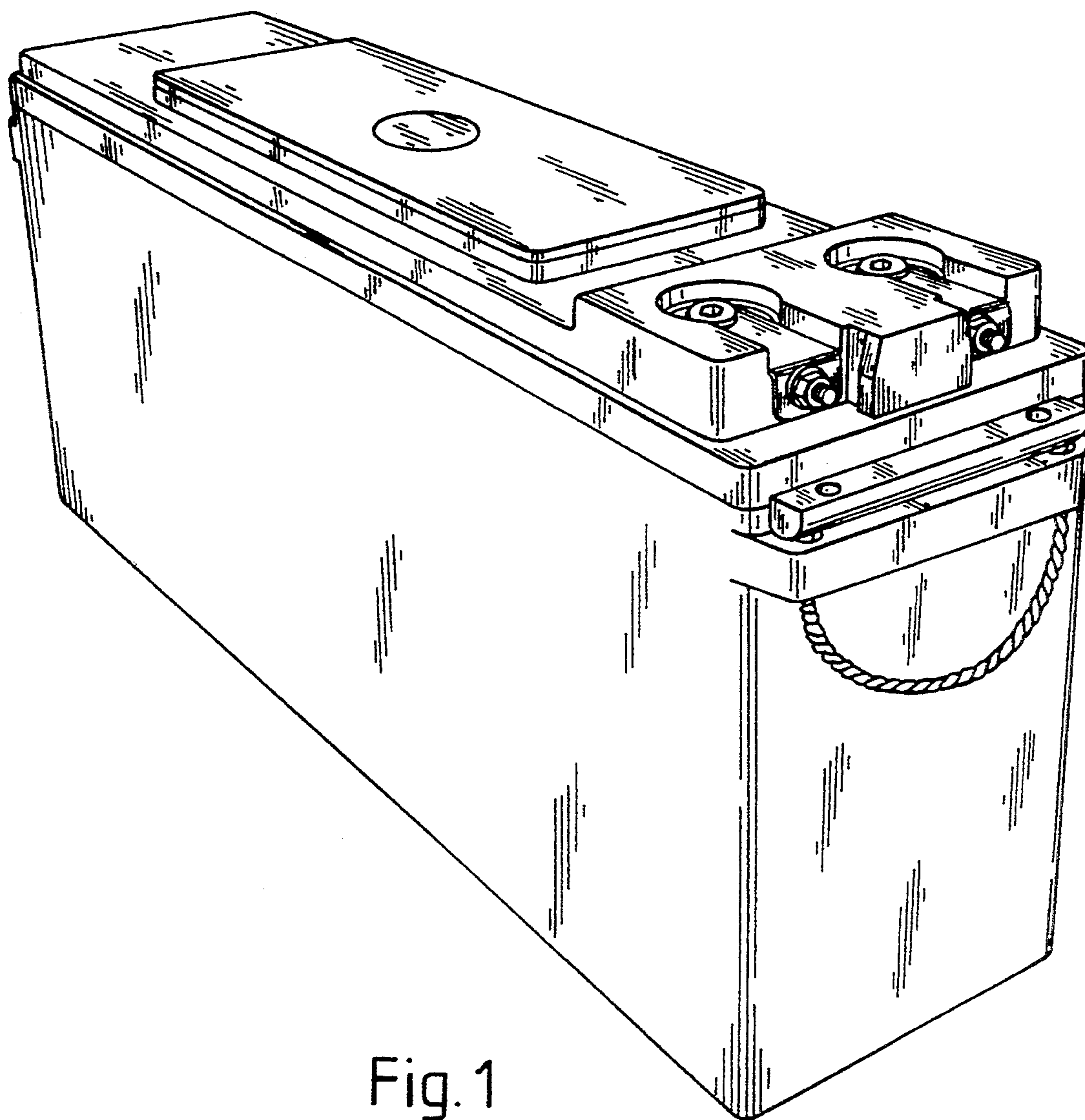


Fig. 1

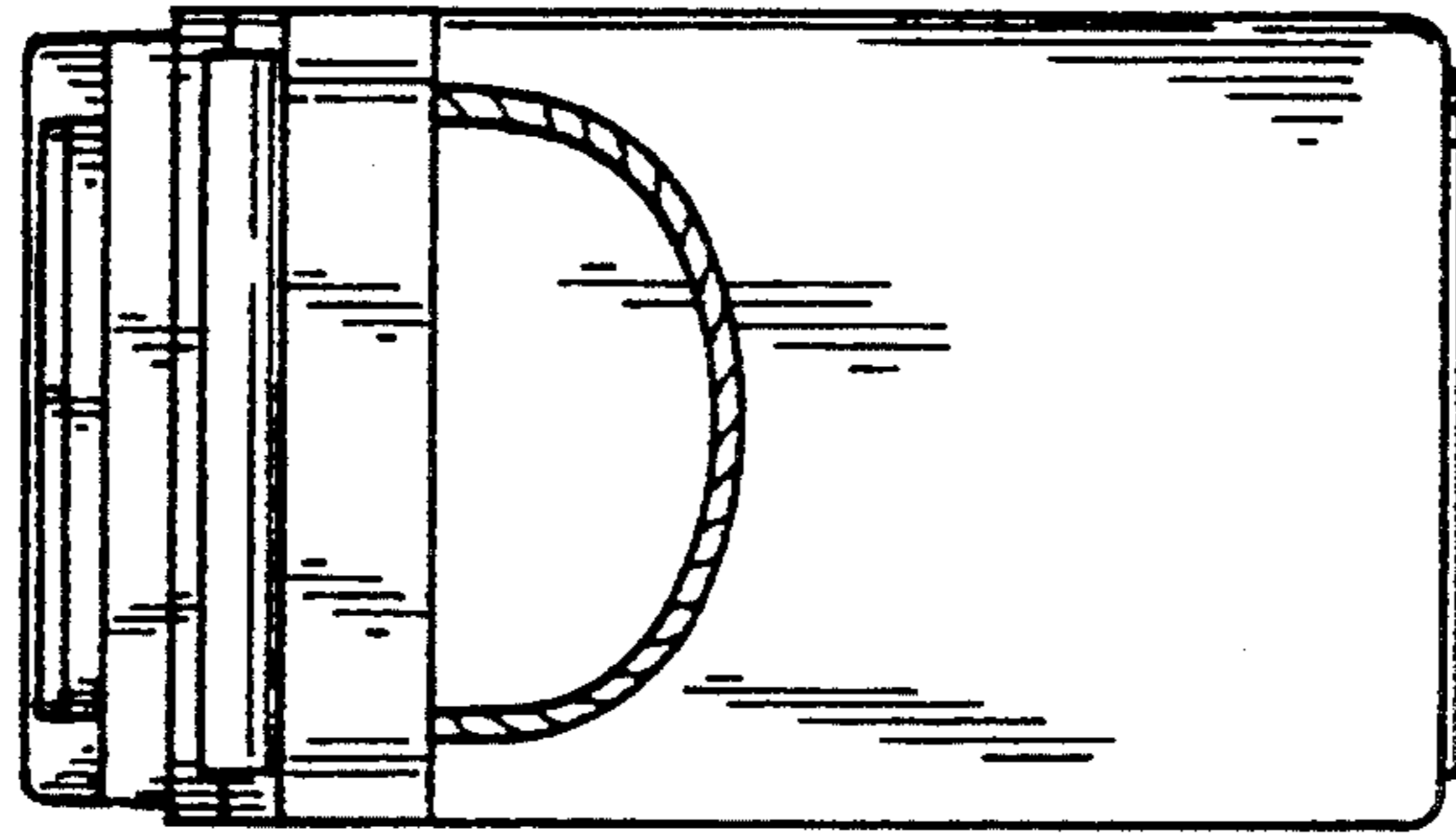


Fig. 3

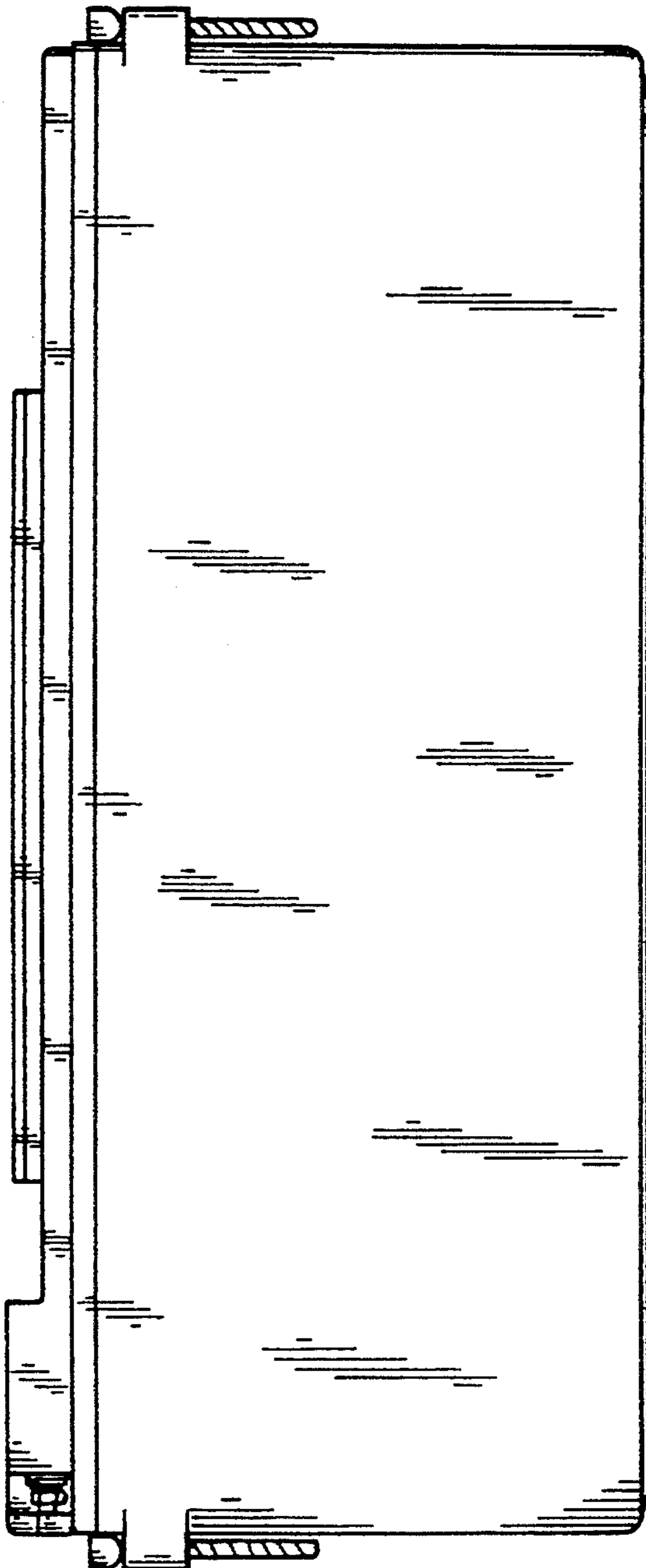


Fig. 2

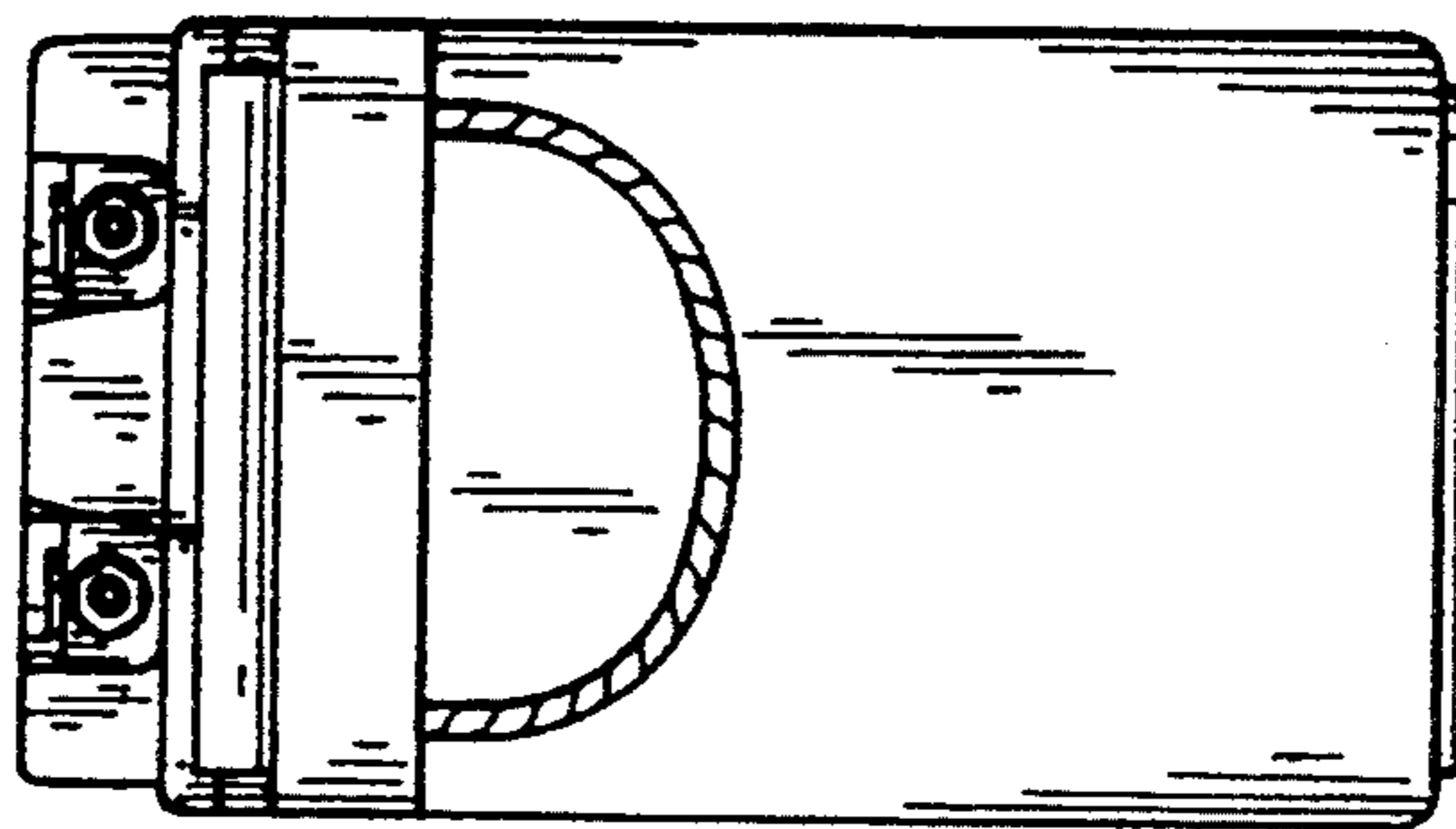


Fig. 5

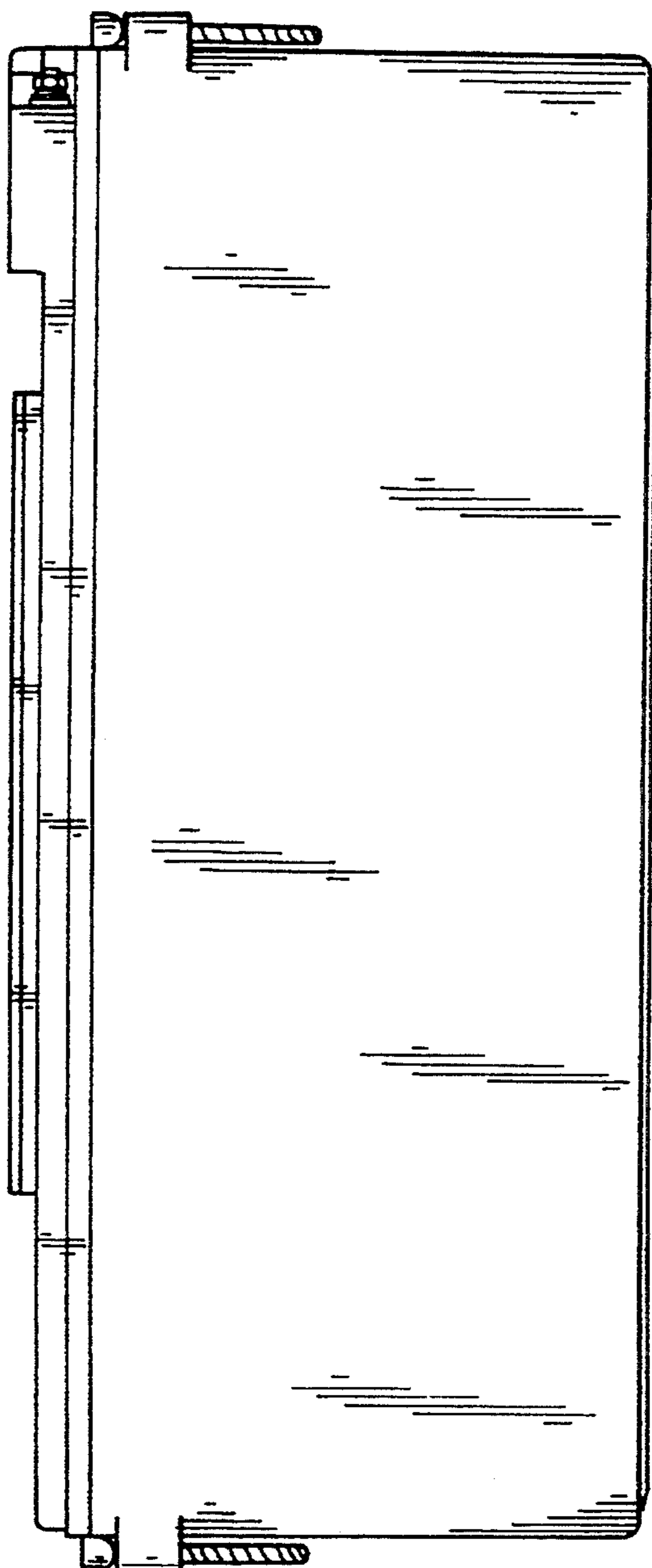


Fig. 4

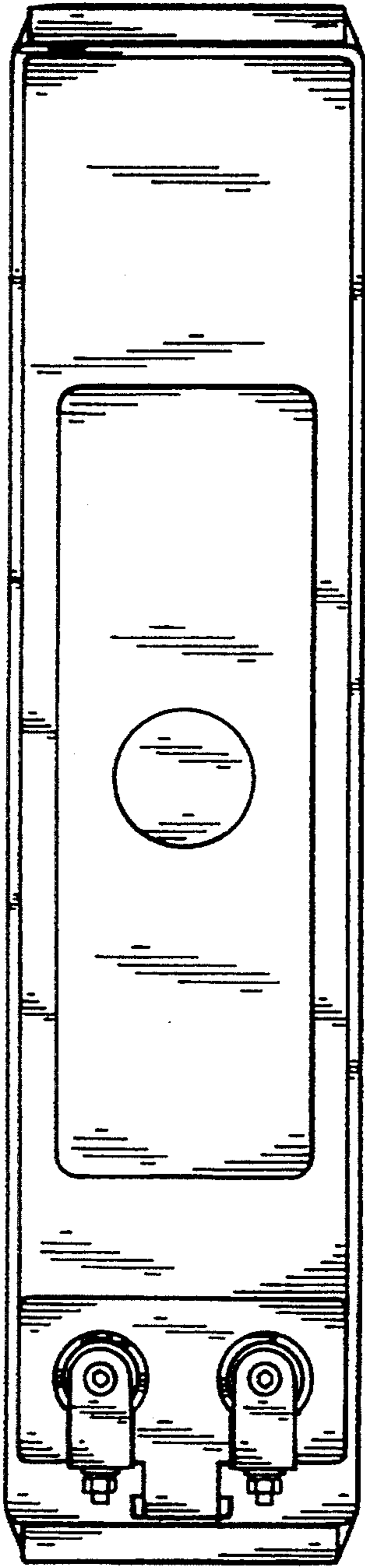


Fig. 6

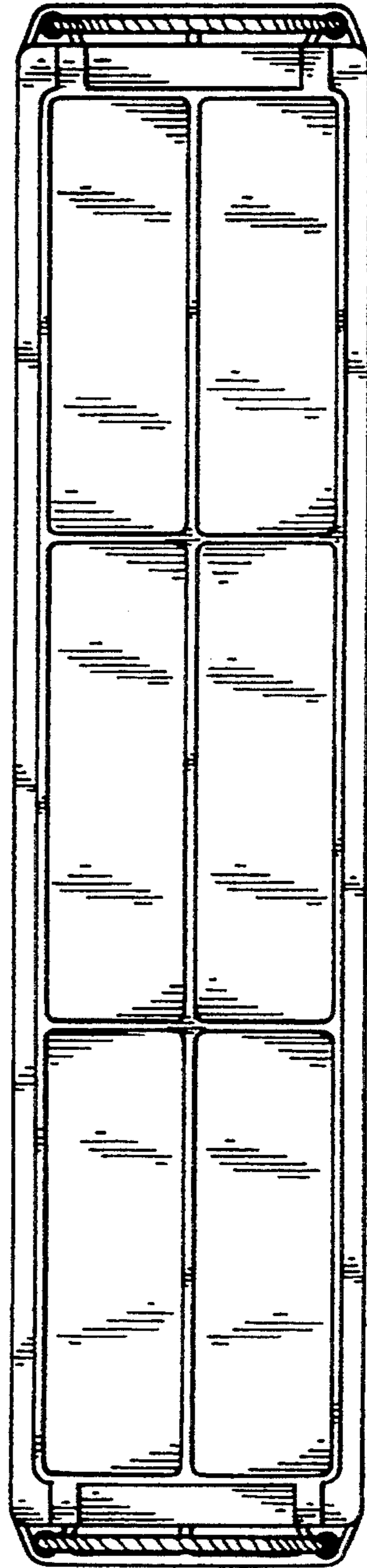


Fig. 7

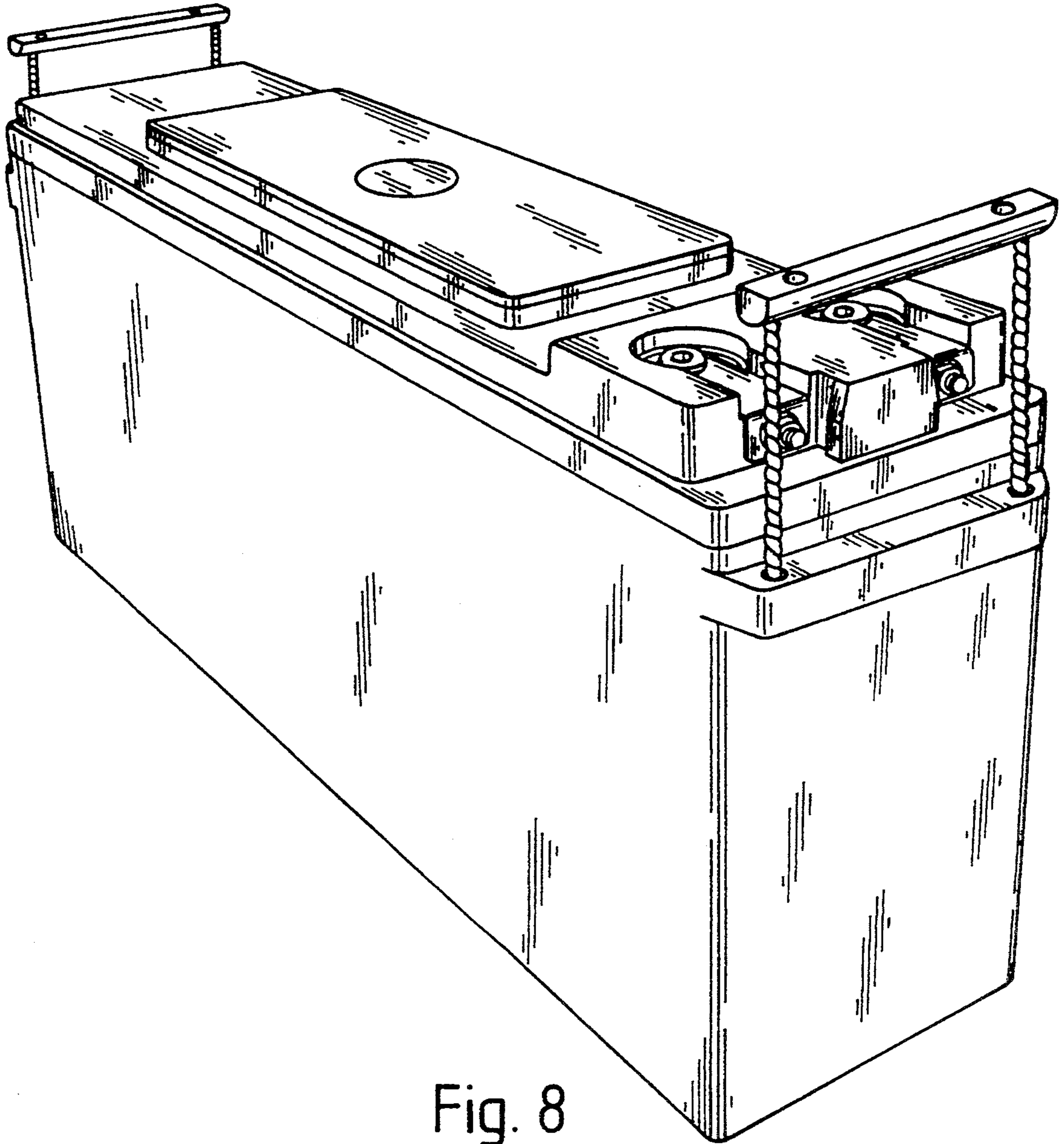


Fig. 8