



US00D358129S

# United States Patent [19]

[11] Patent Number: **Des. 358,129**

Mizobe

[45] Date of Patent: **\*\* May 9, 1995**

[54] **BUSHING FOR CABLE**

[76] Inventor: **Kunitaka Mizobe**, Guriin Haitso  
Jounan Bdg., 303 31-38 Hoshikuma,  
2-chome, Jounan-ku, Fukuoka-shi,  
Fukuoka, Japan

[\*\*] Term: **14 Years**

[21] Appl. No.: **15,562**

[22] Filed: **Nov. 22, 1993**

[30] **Foreign Application Priority Data**

May 20, 1993 [JP] Japan ..... 5-14895

[52] U.S. Cl. .... **D13/154**

[58] Field of Search ..... D13/154, 156; 174/5 R,  
174/65 R, 73.1, 135, 152 R, 152 G, 153 G;  
248/56; 439/271, 499, 587

[56] **References Cited**

**U.S. PATENT DOCUMENTS**

D. 294,486 3/1988 Opitz ..... D13/156  
3,366,917 1/1968 Karol ..... D13/133 X  
3,518,600 6/1970 Urani ..... D13/156 X  
3,992,570 11/1976 Beinhauer ..... 174/135

4,145,566 3/1979 Weingartner ..... 174/65 R  
4,551,915 11/1985 Larsson ..... 174/73.1 X  
4,808,774 2/1989 Crane ..... 174/135

**FOREIGN PATENT DOCUMENTS**

817541 7/1959 United Kingdom ..... 174/135  
2142788 1/1985 United Kingdom ..... 174/135

*Primary Examiner*—Joel Sincavage

*Attorney, Agent, or Firm*—Flynn, Thiel, Boutell & Tanis

[57] **CLAIM**

The ornamental design of a bushing for cable, as shown and described.

**DESCRIPTION**

FIG. 1 is a perspective view from the above of a bushing for cable showing my design;  
FIG. 2 is a perspective view from the bottom thereof;  
FIG. 3 is a front elevational view thereof;  
FIG. 4 is a right side elevational view thereof;  
FIG. 5 is a top plan view thereof;  
FIG. 6 is a bottom plan view thereof; and,  
FIG. 7 is a cross sectional view along line 7—7 in FIG. 5.

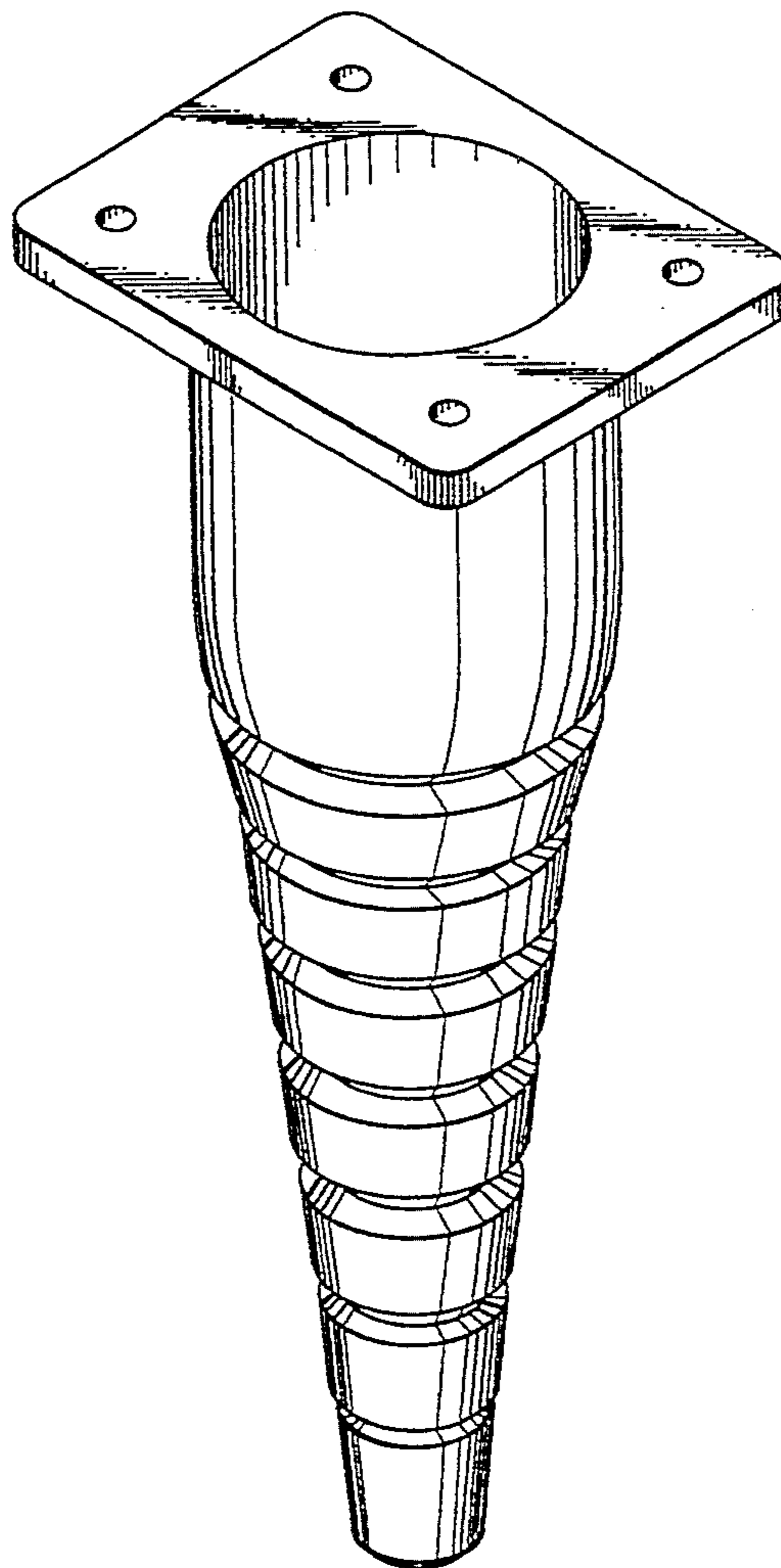


FIG.1

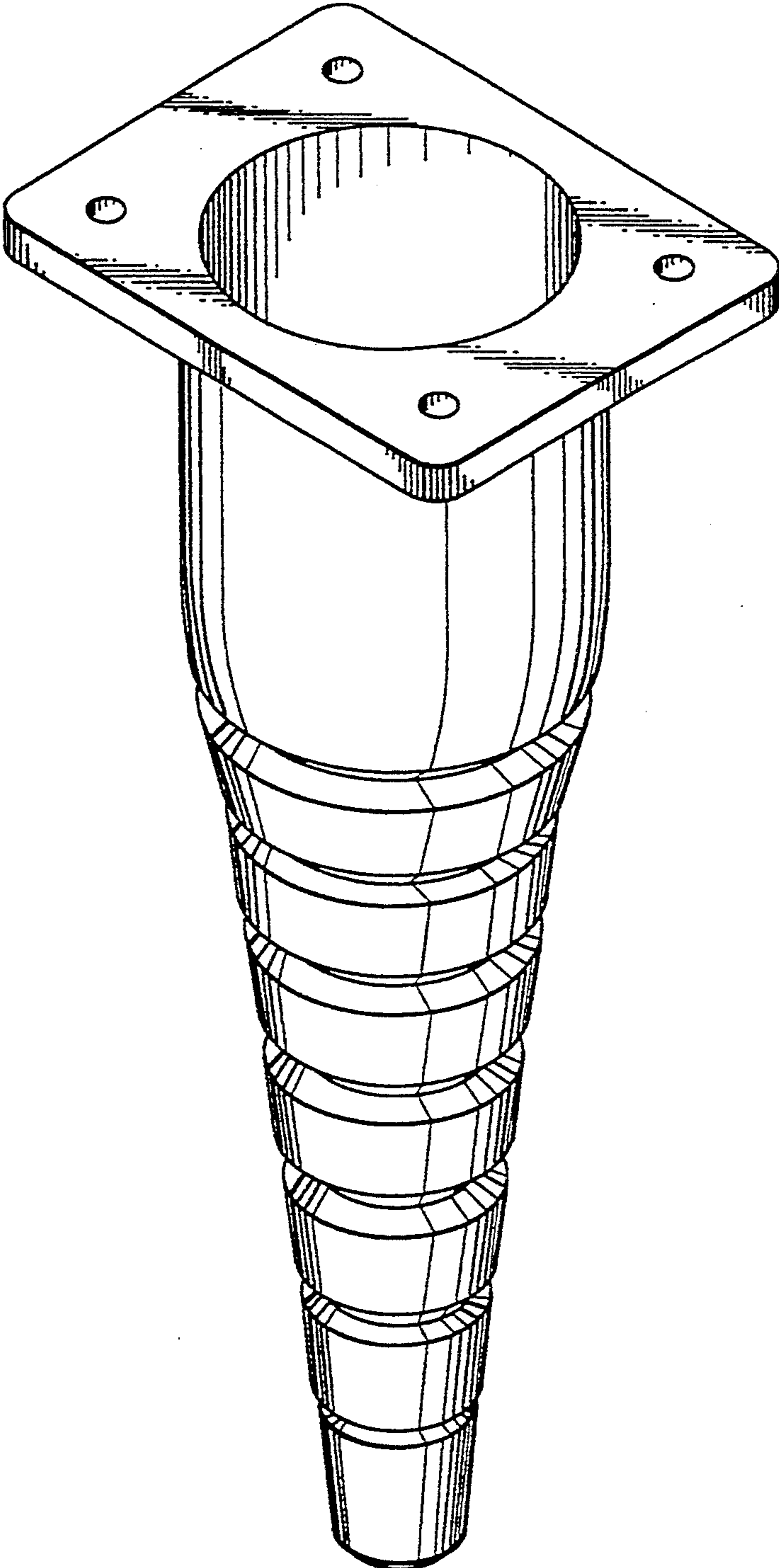


FIG.2

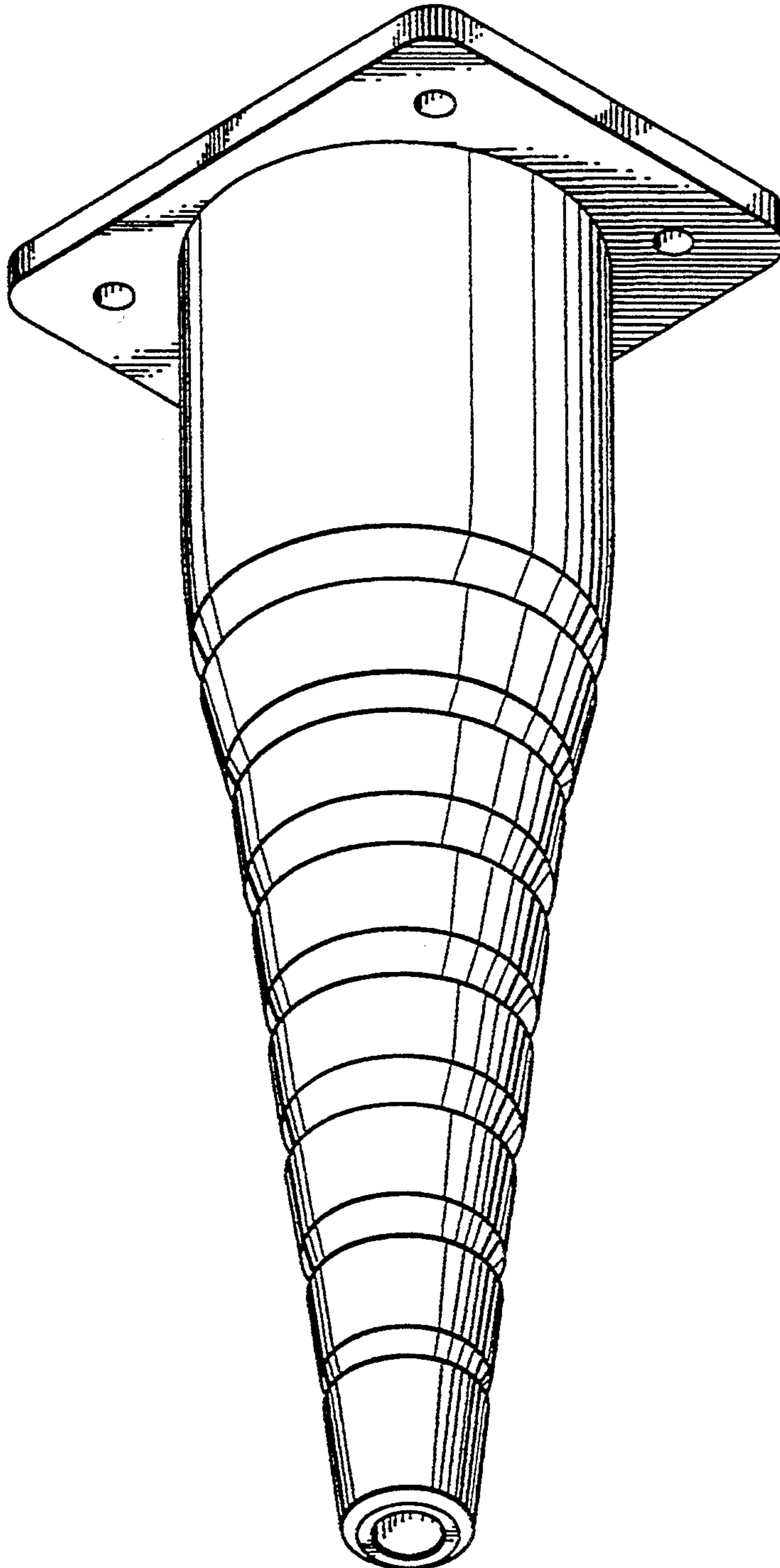


FIG.3

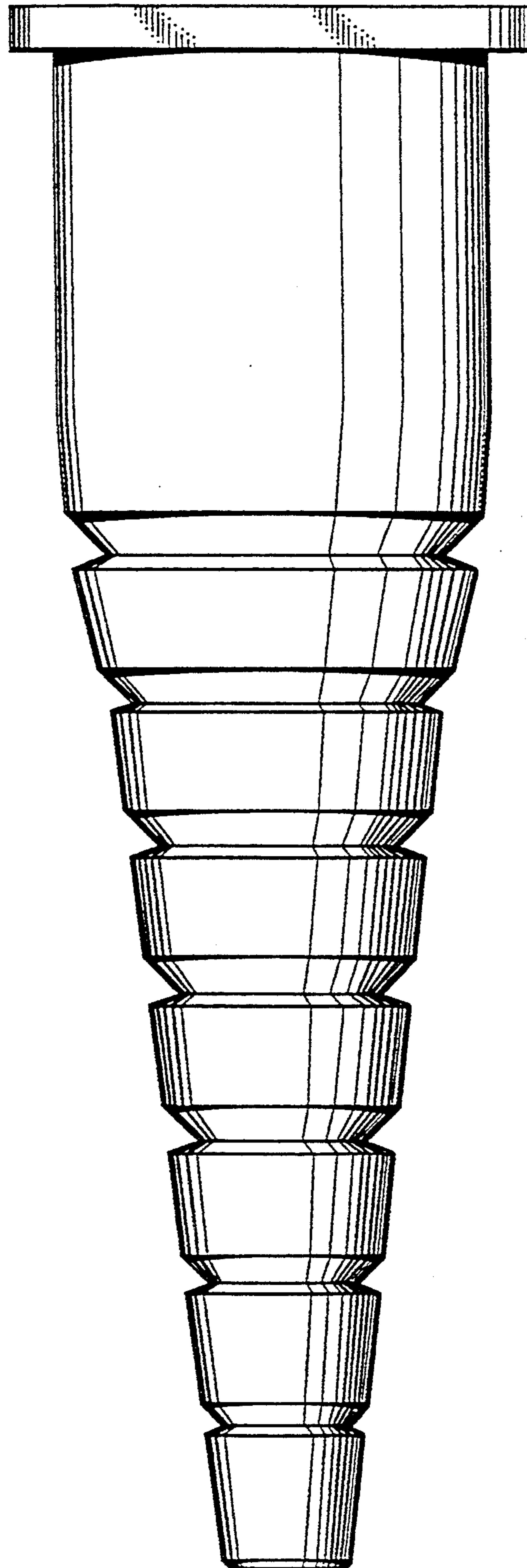


FIG.4

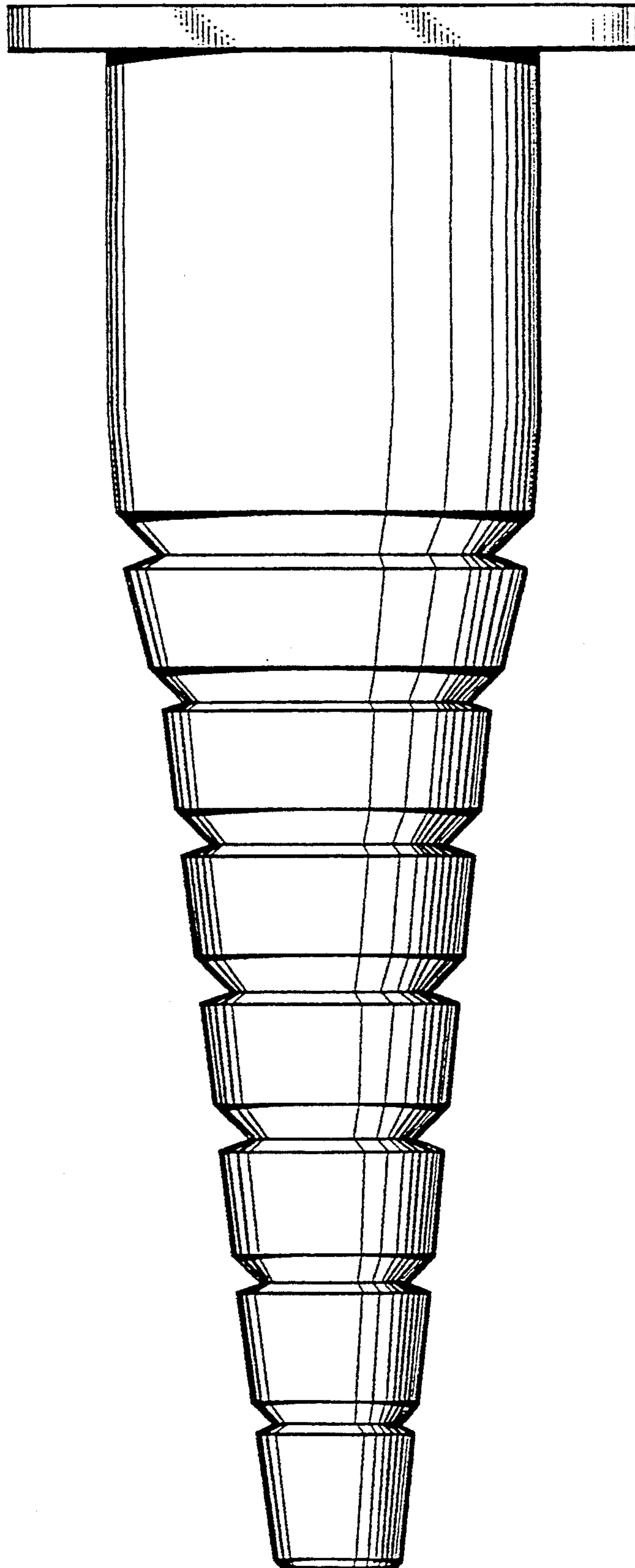


FIG.5

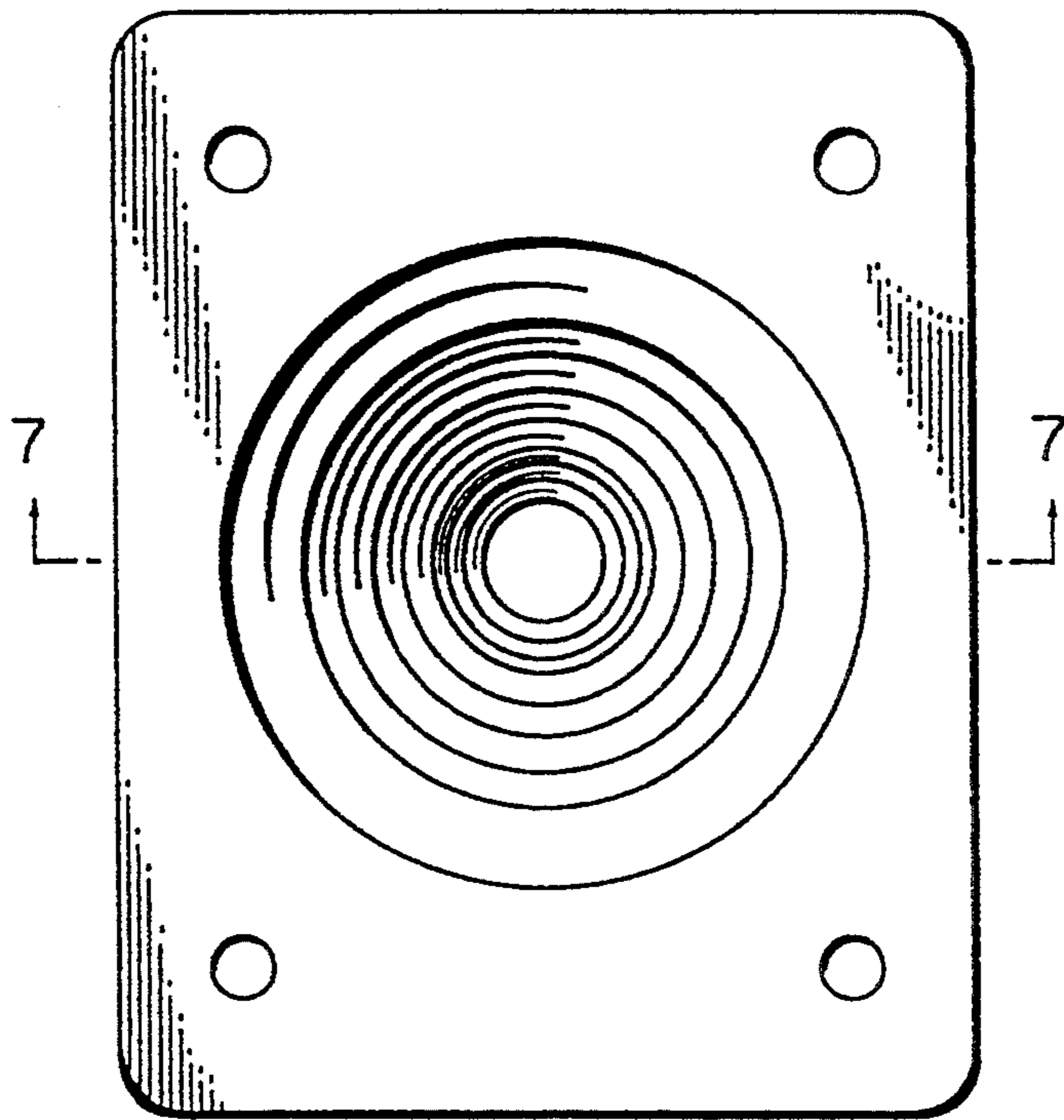


FIG.6

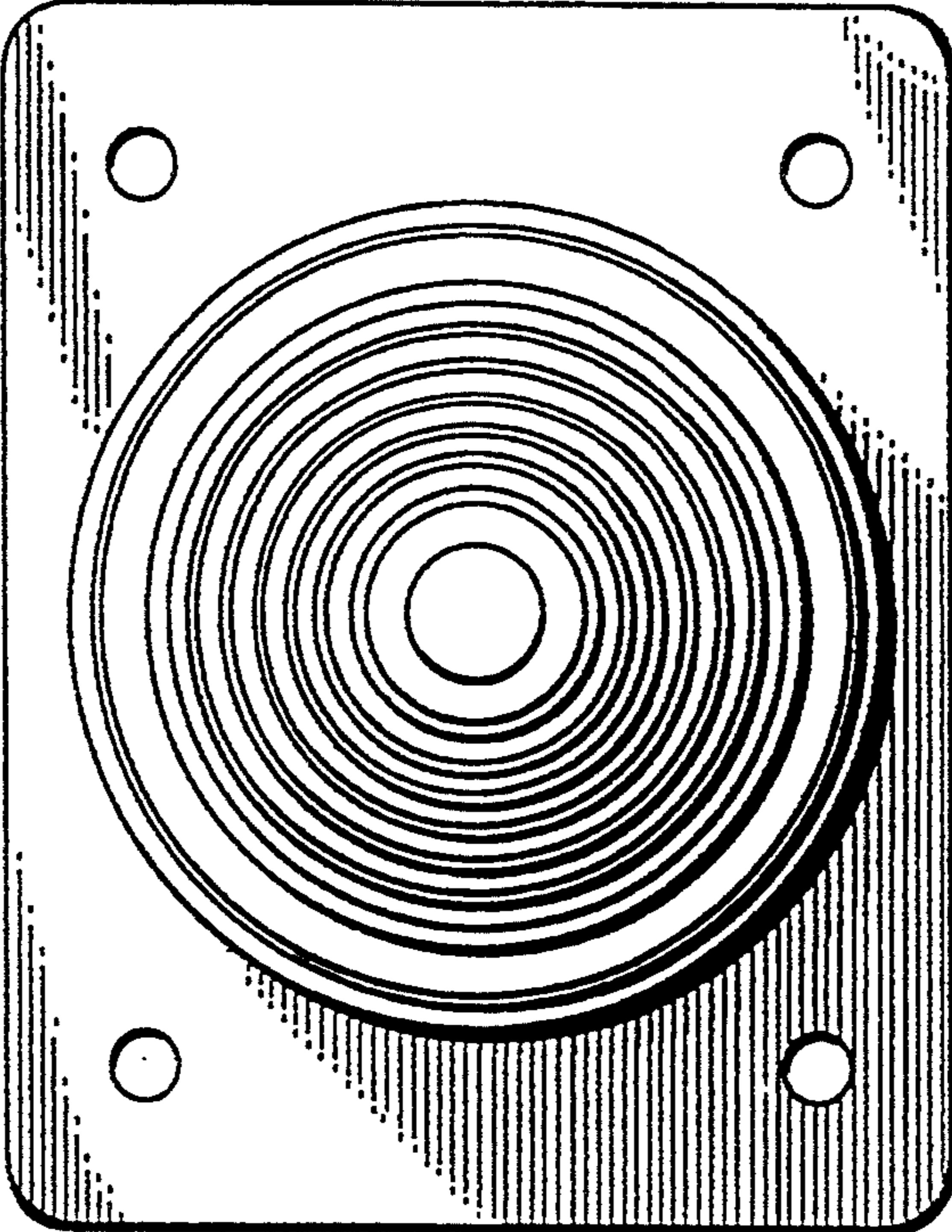


FIG. 7

