



US00D358121S

# United States Patent [19]

[11] Patent Number: **Des. 358,121**

Price

[45] Date of Patent: **\*\* May 9, 1995**

[54] **BOAT**

[75] Inventor: **James W. Price**, Fort Worth, Tex.

[73] Assignee: **James D. Price**, Fort Worth, Tex.

[\*\*] Term: **14 Years**

[21] Appl. No.: **14,003**

[22] Filed: **Oct. 8, 1993**

[52] U.S. Cl. .... **D12/300; D12/307; D21/236**

[58] Field of Search ..... **D12/300, 306, 307; 440/14; 114/270, 61; D21/236**

[56] **References Cited**

**U.S. PATENT DOCUMENTS**

D. 236,605 9/1975 Johnson ..... D12/307

D. 242,782 12/1976 Tyler ..... D12/307  
D. 276,148 10/1984 Walker ..... D12/306  
3,483,844 12/1969 Trautwein ..... 114/270  
5,127,855 7/1992 Heywood ..... 440/14

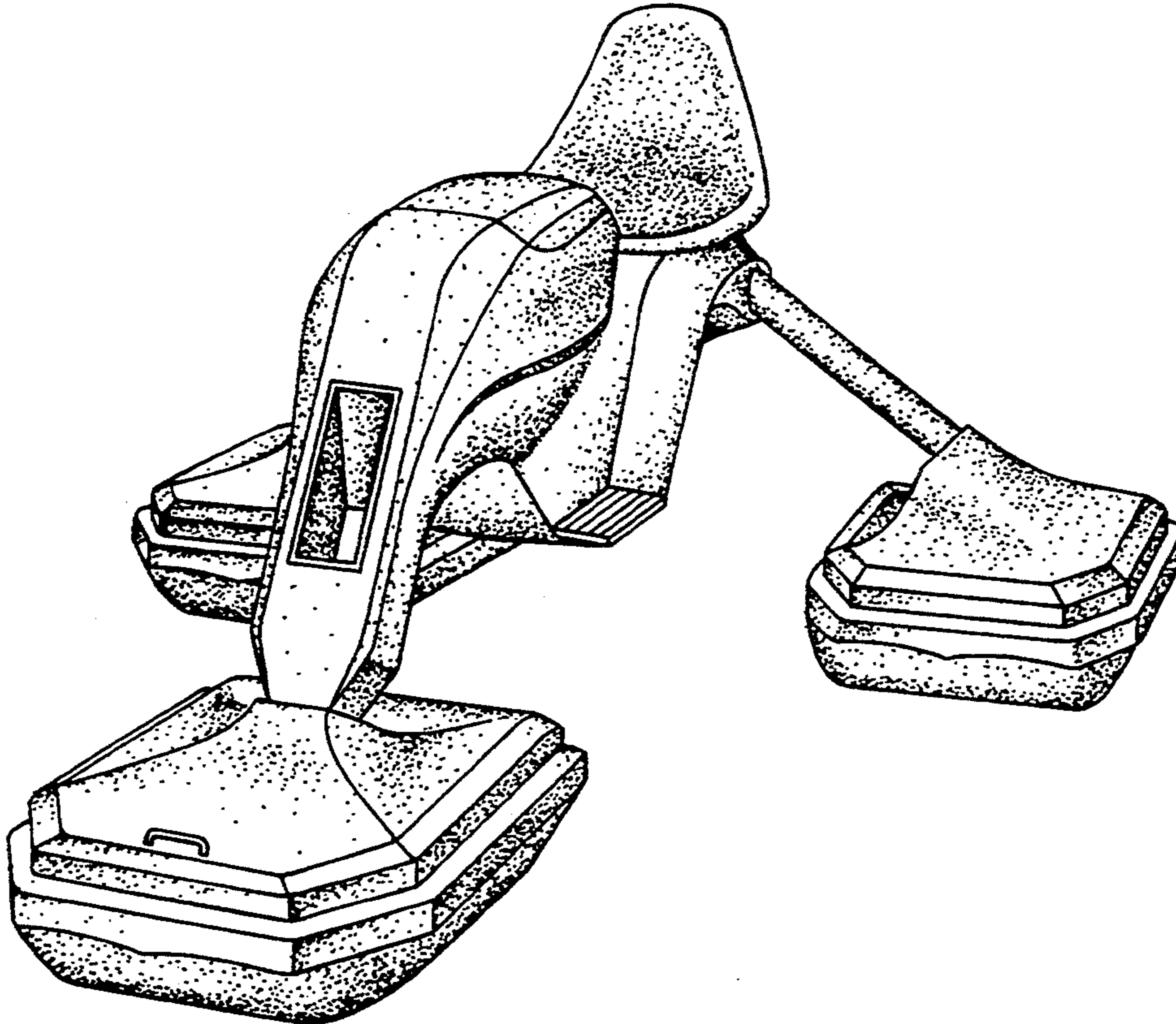
*Primary Examiner*—Kay H. Chin  
*Attorney, Agent, or Firm*—James E. Bradley

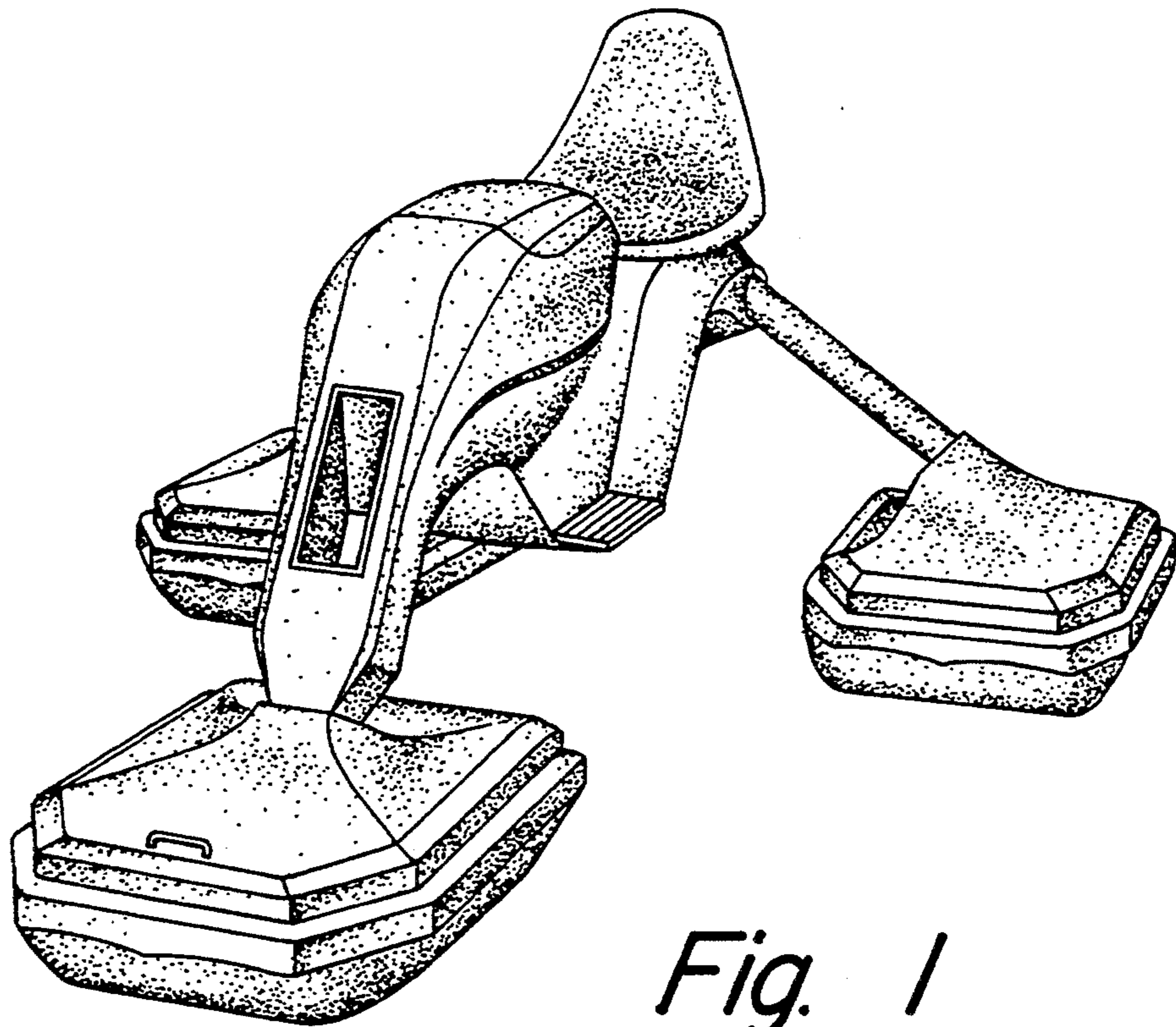
[57] **CLAIM**

The ornamental design for a boat, as shown.

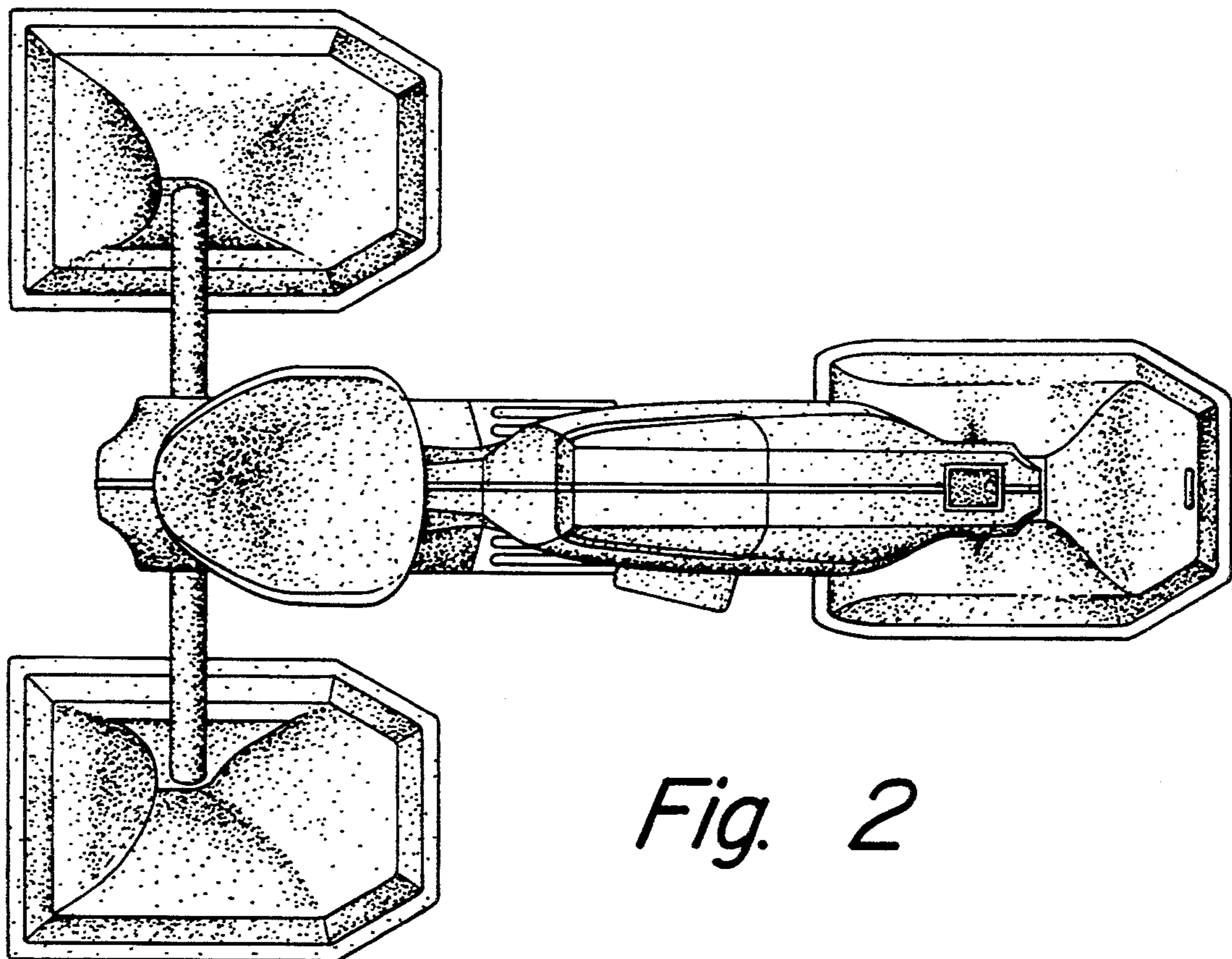
**DESCRIPTION**

FIG. 1 is a front perspective view of a boat showing my new design;  
FIG. 2 is a top plan view thereof;  
FIG. 3 is a bottom plan view thereof;  
FIG. 4 is a rear elevational view thereof;  
FIG. 5 is a right side elevational view thereof; and,  
FIG. 6 is a left side elevational view thereof.

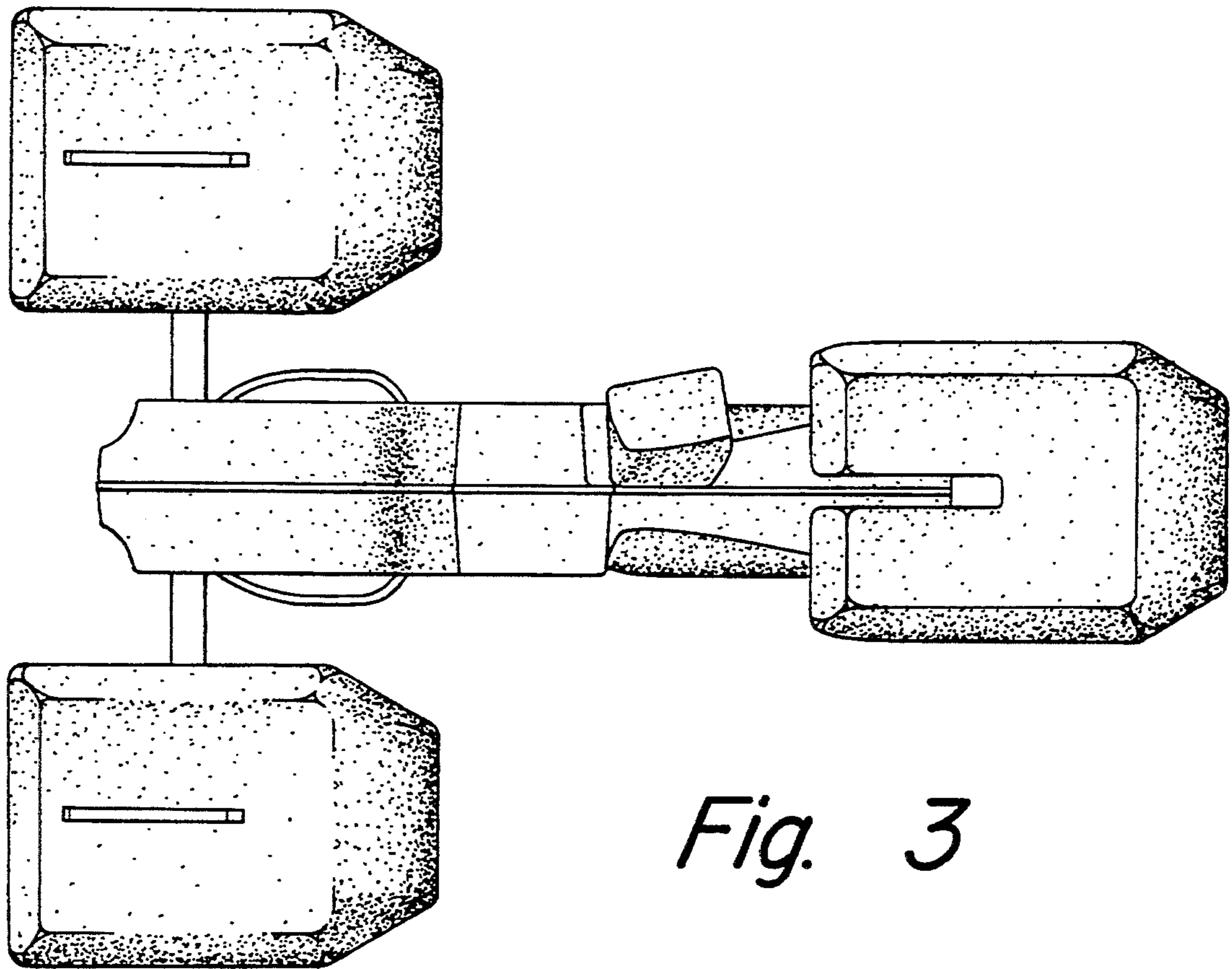




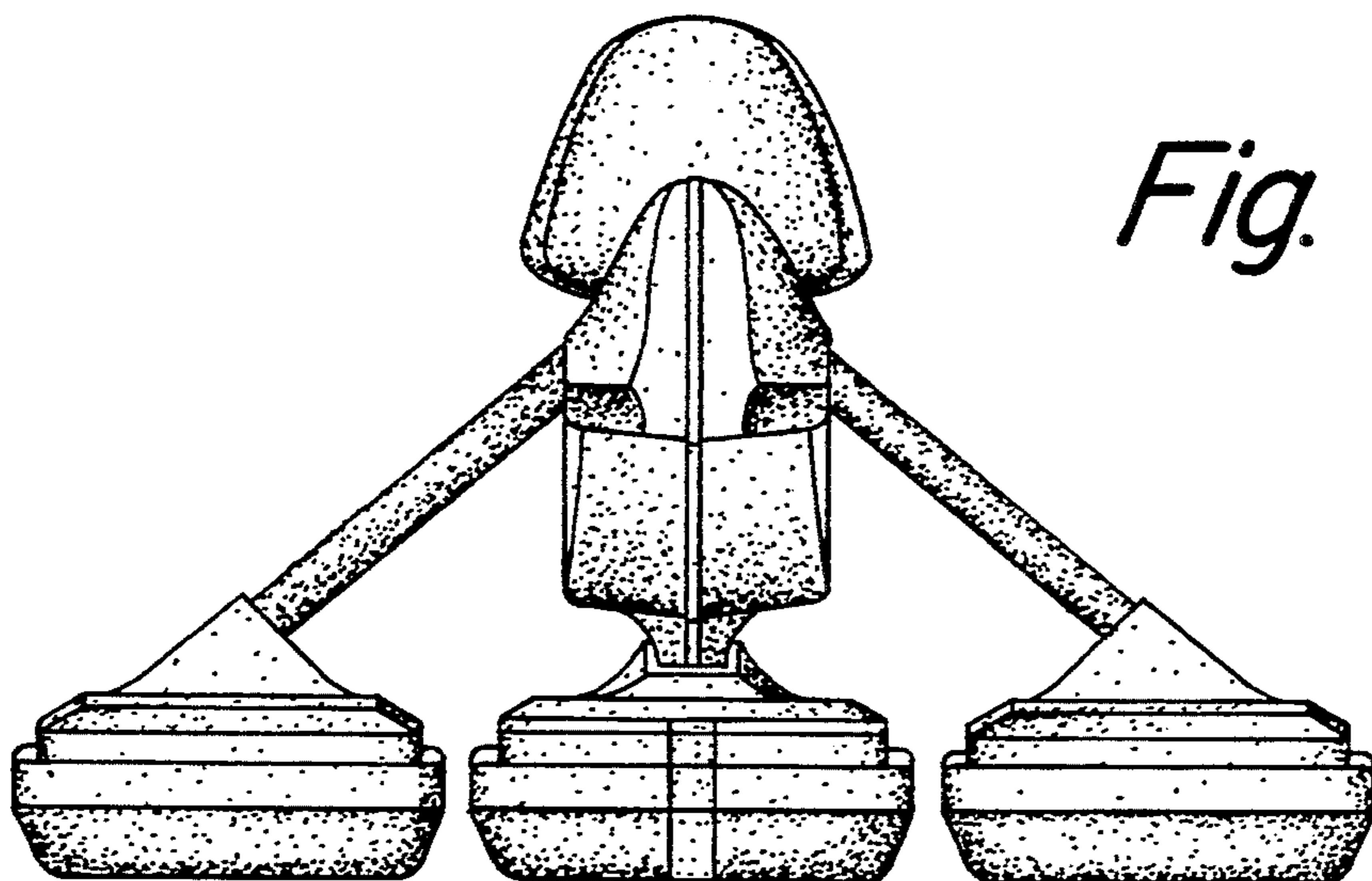
*Fig. 1*



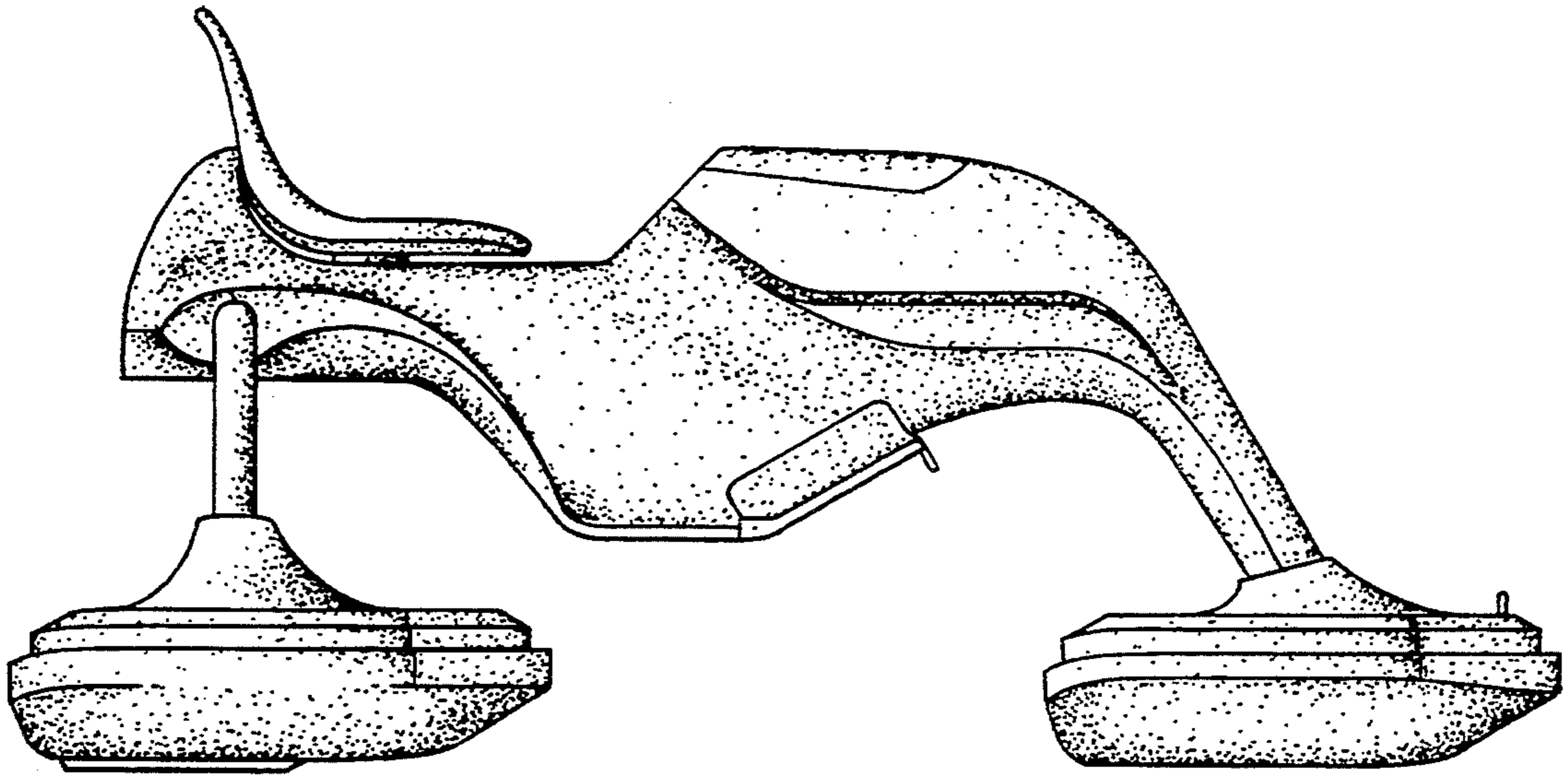
*Fig. 2*



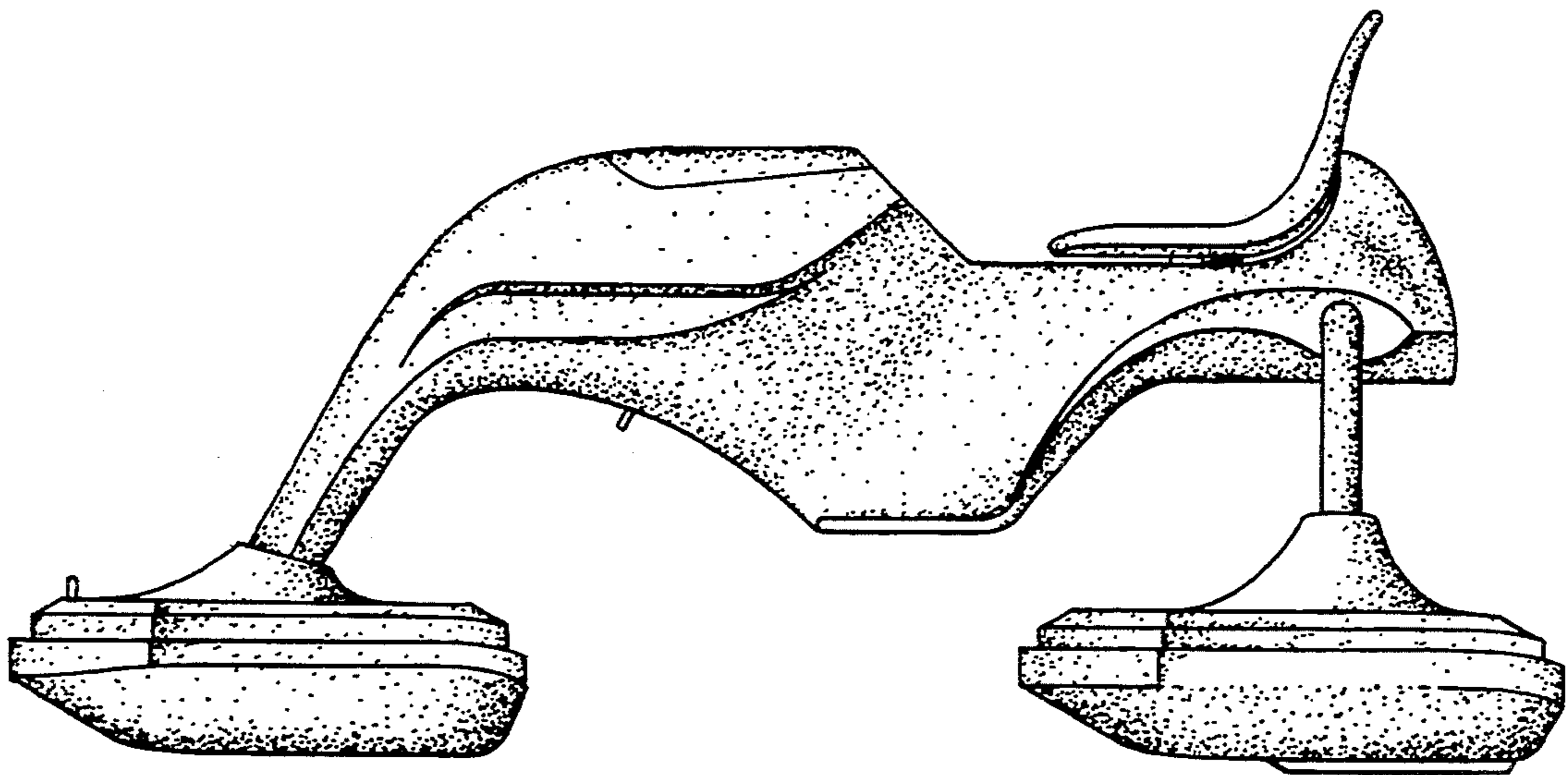
*Fig. 3*



*Fig. 4*



*Fig. 5*



*Fig. 6*