



US00D358105S

# United States Patent [19]

Joyce

[11] Patent Number: **Des. 358,105**

[45] Date of Patent: **\*\* May 9, 1995**

[54] ON-SITE OIL ANALYZING APPARATUS

[56]

### References Cited

#### U.S. PATENT DOCUMENTS

[75] Inventor: **Carlton S. Joyce**, Atlanta, Ga.

D. 147,437	9/1947	Folk .....	D10/81 X
D. 208,977	10/1967	Gilbrech .....	D10/81 X
D. 266,151	9/1982	Dawson .....	D10/81
D. 275,277	8/1984	Bardo et al. ....	D10/81 X
D. 307,398	4/1990	Umemoto et al. ....	D10/46
D. 328,714	8/1992	Nakajima et al. ....	D10/46 X
4,044,604	8/1977	Russ .....	73/61.41
4,648,264	3/1987	Freese et al. ....	73/64.41

[73] Assignee: **On-Site Analysis, Inc.**, Atlanta, Ga.

[\*\*] Term: **14 Years**

*Primary Examiner*—Alan P. Douglas  
*Assistant Examiner*—Antoine D. Davis  
*Attorney, Agent, or Firm*—Reising, Ethington, Barnard,  
Perry & Milton

[21] Appl. No.: **19,337**

[57]

### CLAIM

[22] Filed: **Feb. 28, 1994**

The ornamental design for an on-site oil analyzing apparatus, as shown.

[52] U.S. Cl. .... **D10/81; D10/46; D10/75**

[58] Field of Search ..... **D10/46, 75, 81; D24/231, 232, 186; 73/19.1, 53.05, 53.06, 53.07, 61.41, 61.42, 61.43, 61.51, 61.55, 64.45, 116, 117.3, 431; 204/153.1, 153.11, 400, 403, 404, 407; 340/870.01, 870.11; 364/424.01, 424.3, 424.04, 481, 800**

### DESCRIPTION

FIG. 1 is a top perspective view at a corner of the inventive on-site oil analyzing apparatus; and, FIG. 2 is a bottom perspective view at the diagonally opposite corner thereof.

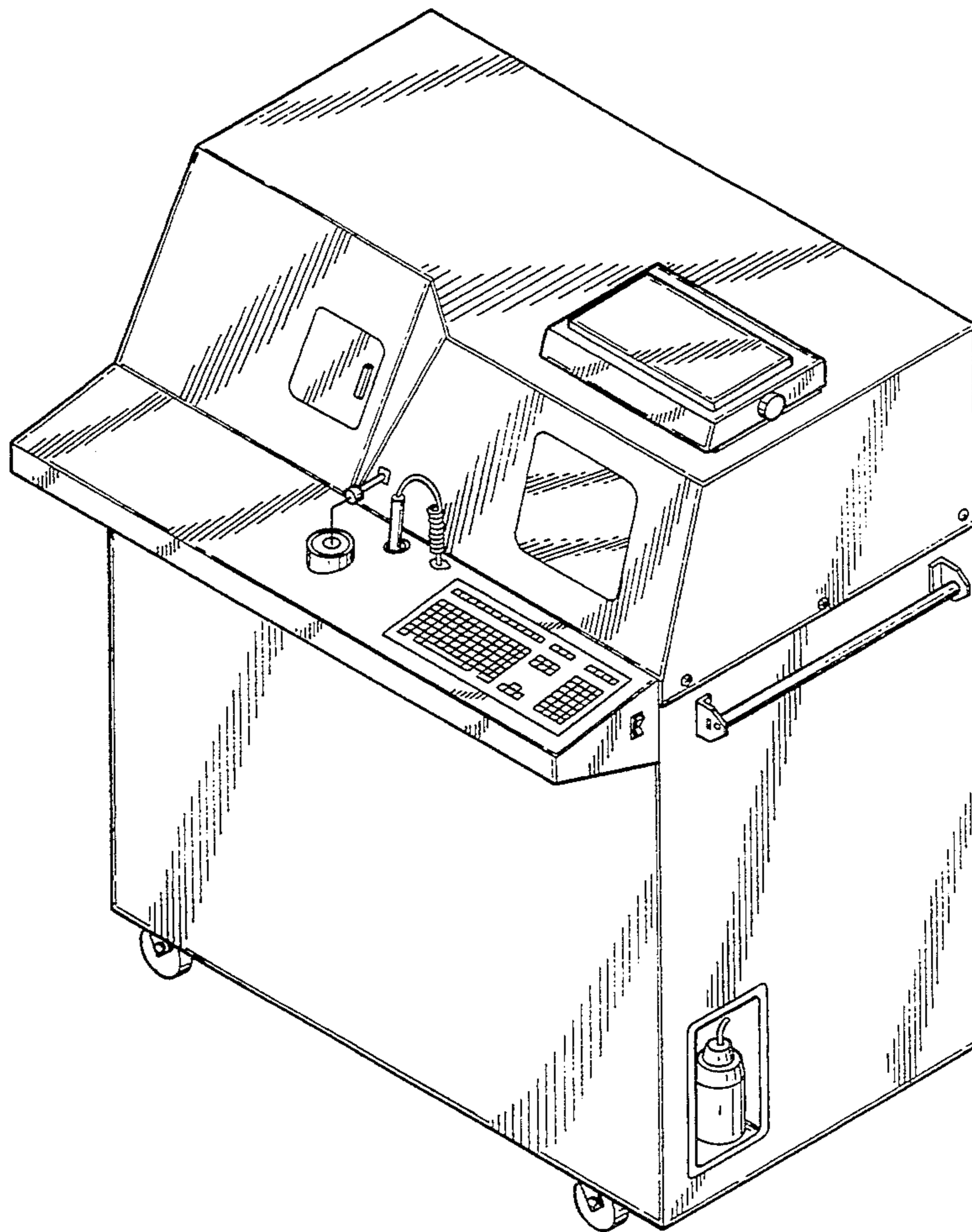


FIG-1

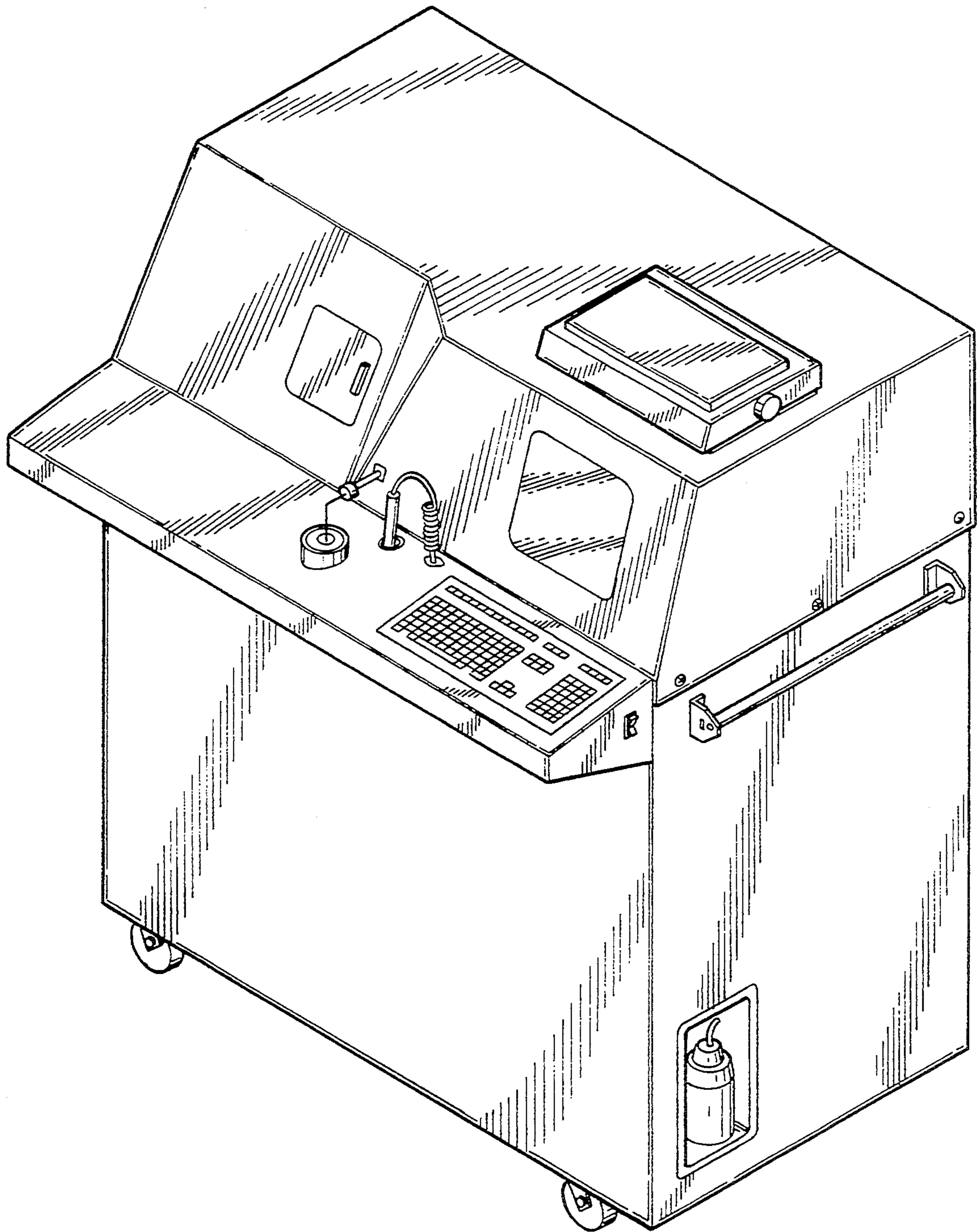


FIG-2

