



US00D358091S

United States Patent [19]

[11] Patent Number: **Des. 358,091**

Warburton

[45] Date of Patent: **** May 9, 1995**

[54] **FOOD CONTAINER**

[75] Inventor: **Richard T. Warburton, Canandaigua, N.Y.**

[73] Assignee: **Mobil Oil Corporation, Fairfax, Va.**

[**] Term: **14 Years**

[21] Appl. No.: **10,461**

[22] Filed: **Jul. 8, 1993**

3,568,916	3/1971	Scheuring .	
3,708,086	1/1973	Colato .	
3,770,115	11/1973	Cannell .	
3,794,090	2/1974	Commisso .	
3,815,736	6/1974	Sedlak .	
3,851,789	12/1974	Case et al. .	
4,058,214	11/1977	Mancuso .	
4,197,940	4/1980	DeRossett .	
4,206,845	6/1980	Christian .	
4,373,636	2/1983	Hoffman .	
4,375,862	3/1983	Kurinsky et al.	220/306 X
4,390,113	6/1983	Bird .	
4,472,440	9/1984	Bank .	
4,741,452	5/1988	Holzopf	206/45.32 X
4,750,614	6/1988	Fischer et al. .	
4,784,273	11/1988	Niemetz .	
4,863,058	9/1989	Antoni et al.	220/380 X
4,874,083	10/1989	Antoni et al.	206/45.32
4,947,993	8/1990	Brumi et al. .	
4,974,738	12/1990	Kidd et al. .	

Related U.S. Application Data

[60] Division of Ser. No. 852,743, Mar. 16, 1992, which is a continuation of Ser. No. 606,225, Oct. 31, 1990, abandoned.

[52] U.S. Cl. **D9/429; D9/431; D9/425**

[58] Field of Search **D9/428, 429, 431, 425, D9/454; D7/601, 602, 629, 630; 206/45.31, 45.32, 45.34, 541, 508; 229/2.5 R, 1.5, 902; 220/4.21, 4.25, 4.26, 306, 307, 376, 377, 351, 675, 669, 670; 426/106, 128**

[56] **References Cited**

U.S. PATENT DOCUMENTS

D. 225,050	11/1972	Cannell	D9/429
D. 334,323	3/1993	Rohrbeck	D9/429 X
D. 345,912	4/1994	Krupa	D9/429
D. 346,554	5/1994	Krupa	D9/429
1,945,397	1/1934	Gray .	
2,246,695	6/1941	Phillips .	
2,629,421	2/1953	Ayres .	
2,914,104	11/1959	Jocelyn .	
3,061,139	10/1962	Edwards .	
3,128,029	4/1964	Price et al. .	
3,303,964	2/1967	Luker .	
3,326,408	6/1967	Ringlen .	
3,381,872	5/1968	Holder et al. .	

FOREIGN PATENT DOCUMENTS

476613	9/1969	Switzerland	426/128
--------	--------	-------------------	---------

Primary Examiner—Prabhakar G. Deshmukh
Attorney, Agent, or Firm—Alexander J. McKillop;
Malcom D. Keen; L. Gene Wise

[57] **CLAIM**

The ornamental design of a food container, as shown and described.

DESCRIPTION

FIG. 1 is an exploded perspective view of a food container showing my new design;
FIG. 2 is an elevational view thereof; in a closed position;
FIG. 3 is a top plan view of the cover thereof;
FIG. 4 is an exploded elevational view thereof; and,
FIG. 5 is a bottom plan view of the container base.

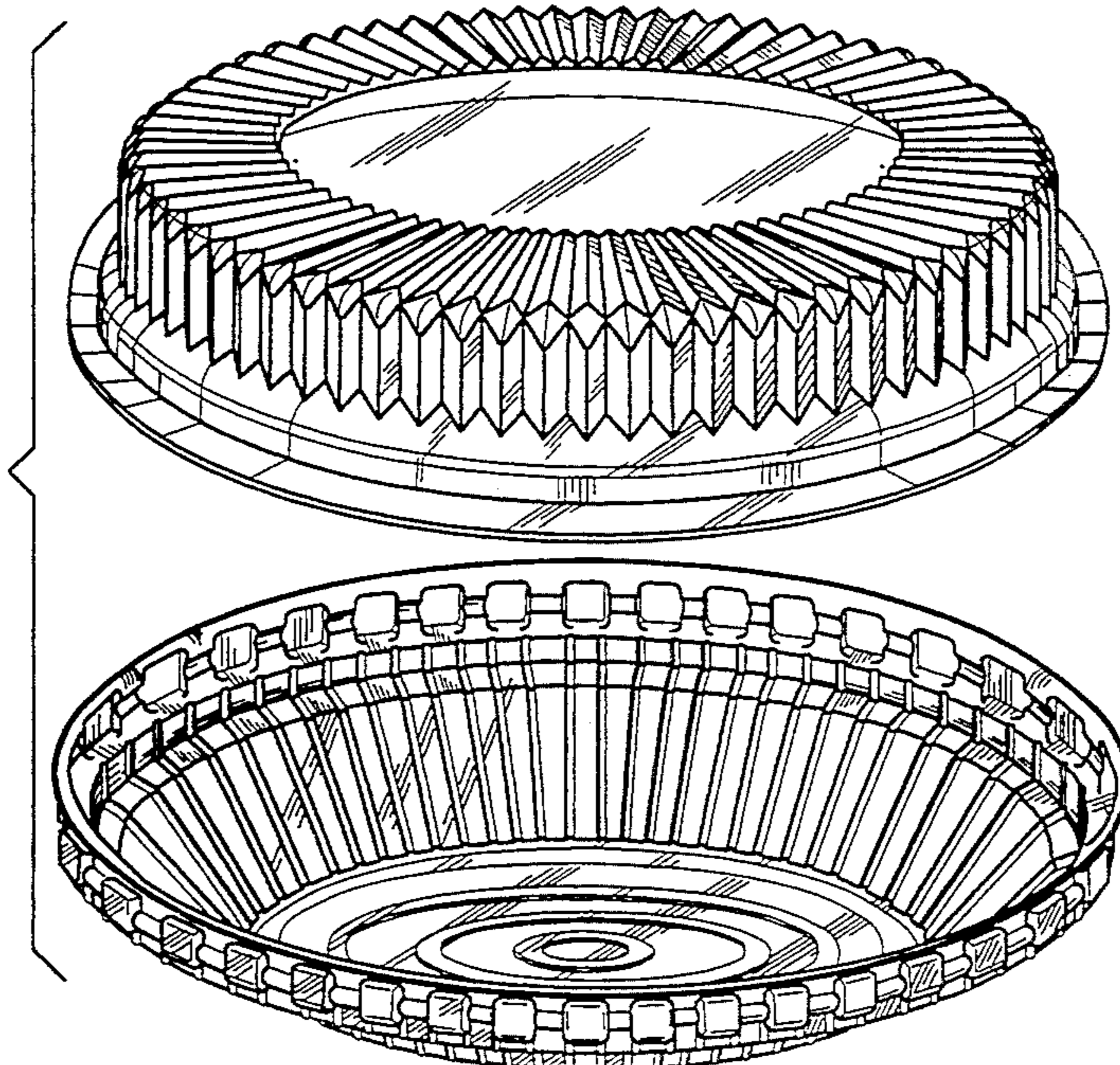


FIG. 1

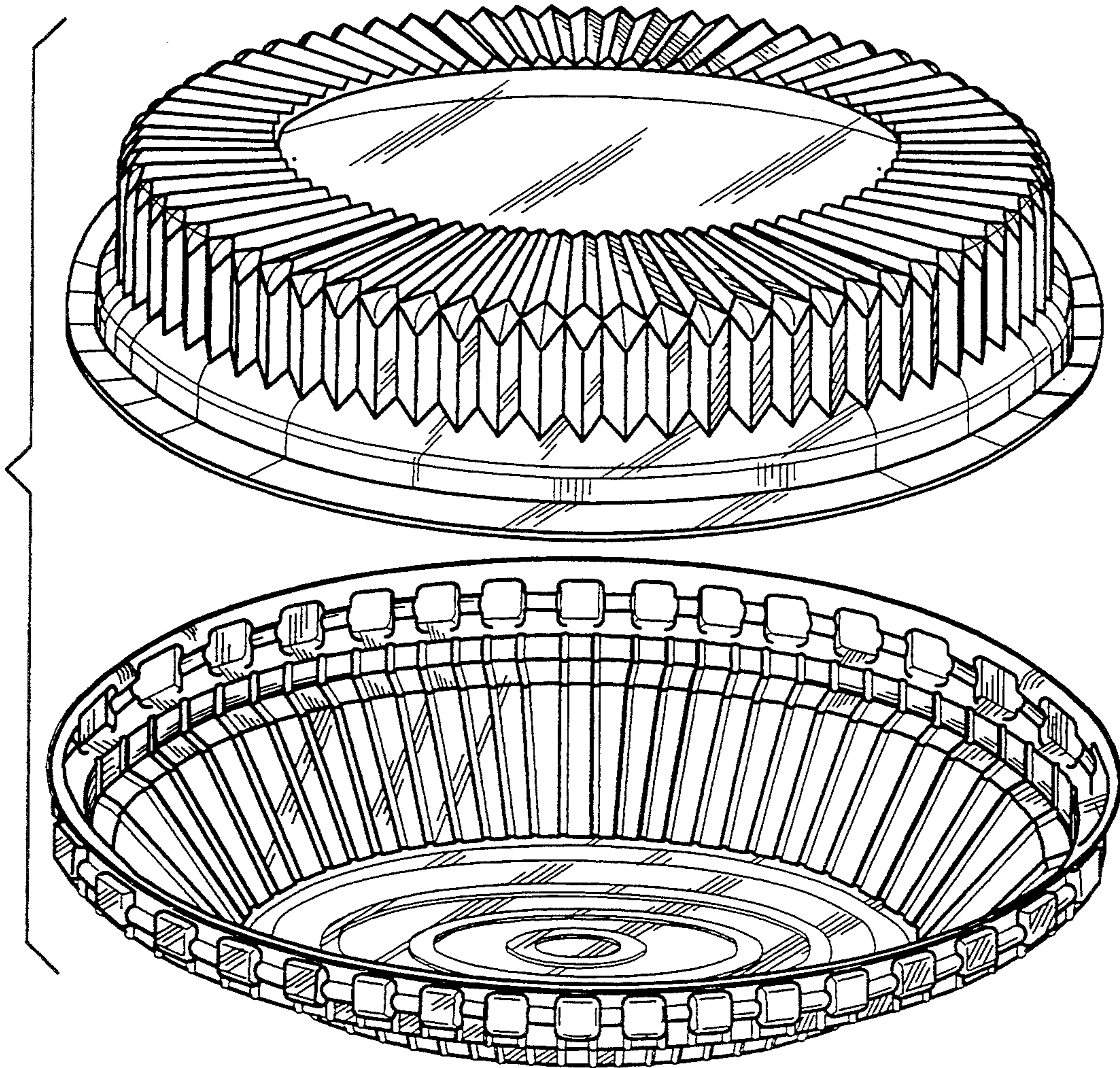


FIG. 2

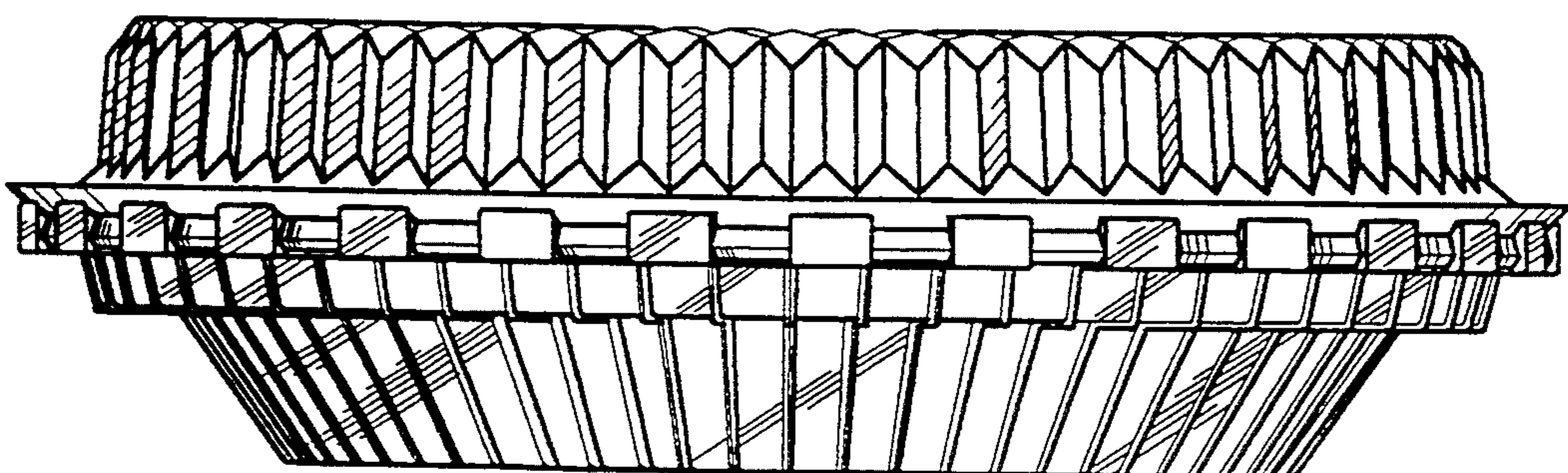


FIG. 3

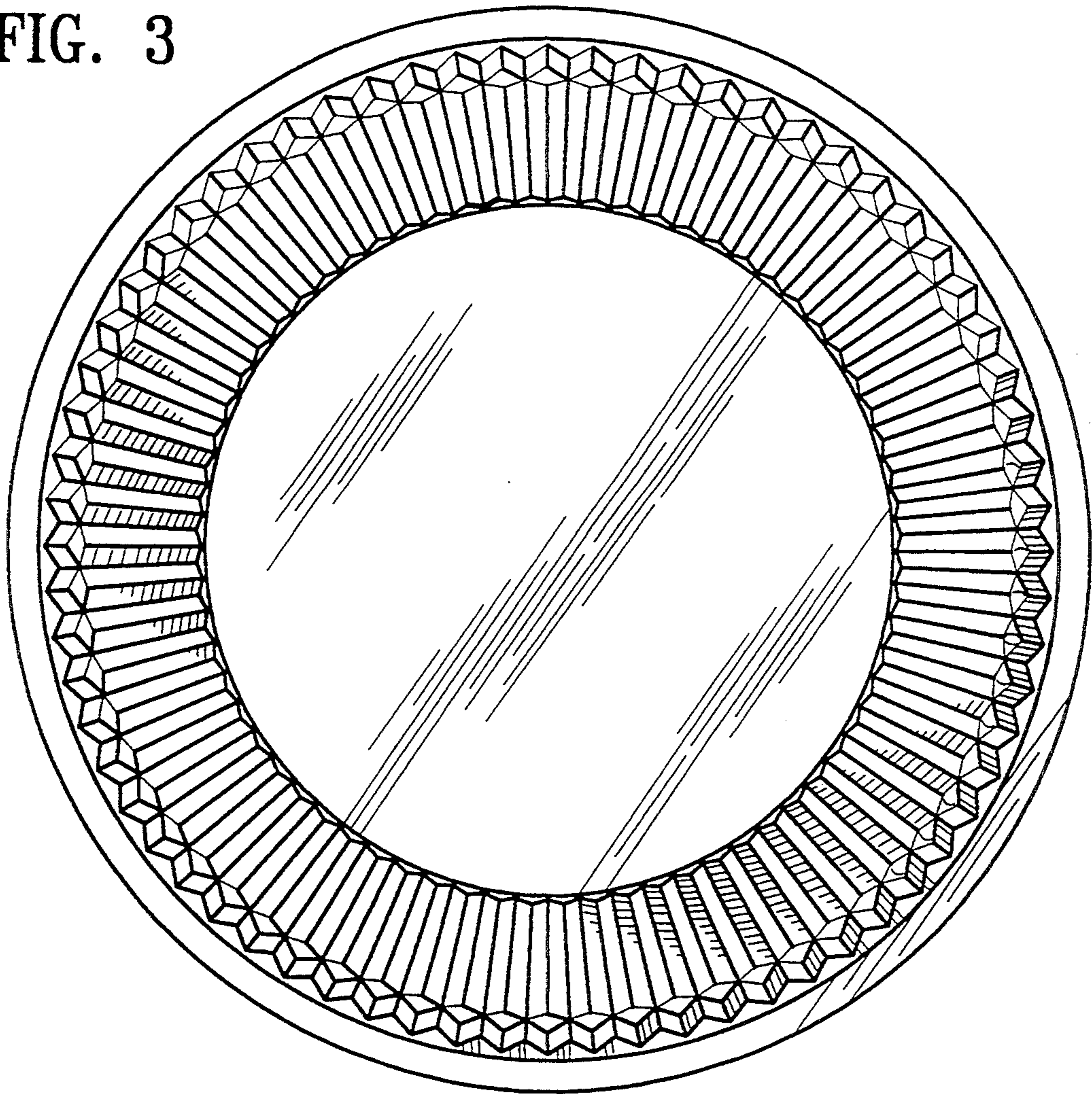


FIG. 4

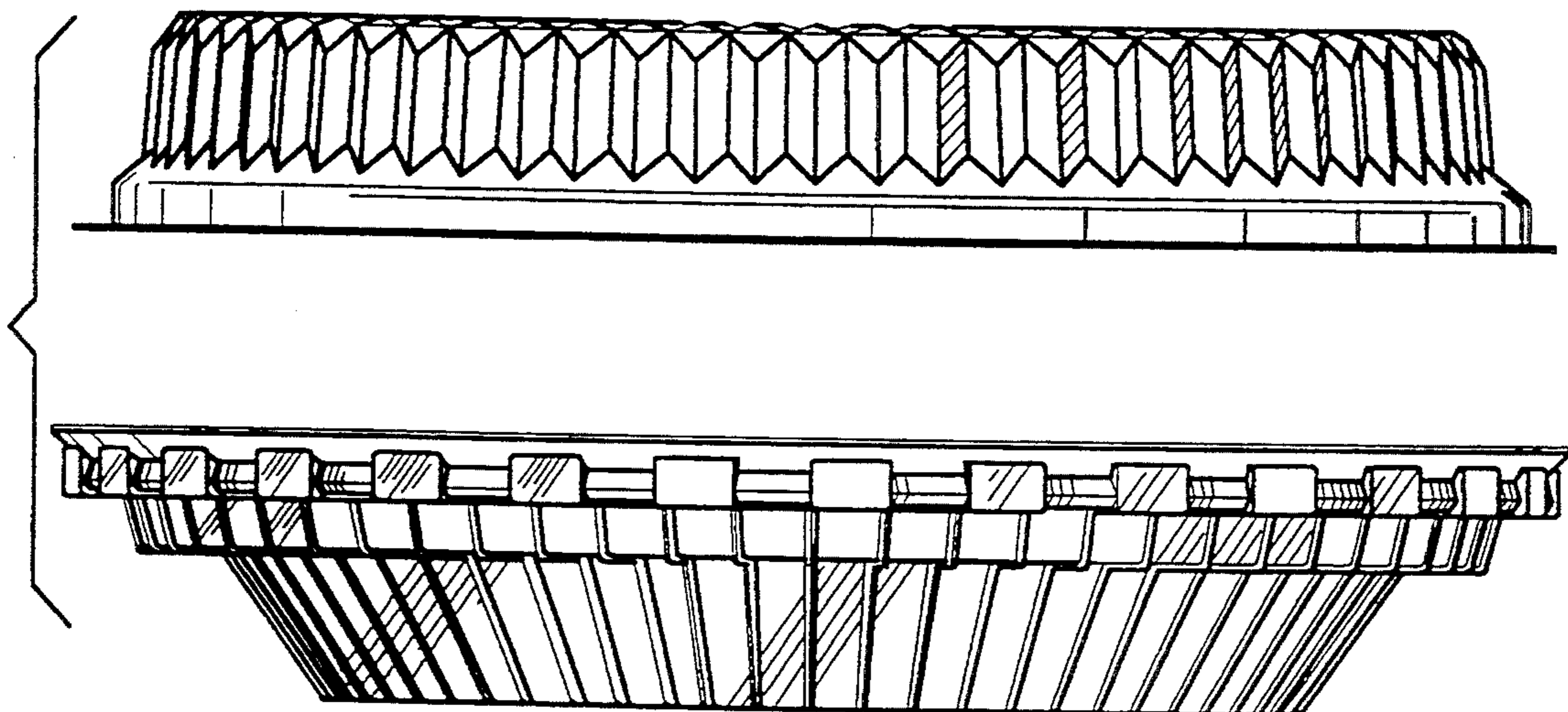


FIG. 5

