



US00D358085S

United States Patent [19]

[11] Patent Number: **Des. 358,085**

Siragusa, Jr. et al.

[45] Date of Patent: **** May 9, 1995**

[54] PIPE CLAMP FOR A ROUND PIPE

3,871,783 3/1975 Vogler 403/205

[75] Inventors: **Ross D. Siragusa, Jr.; Wesley D. Sutton**, both of Fort Wayne, Ala.; **Timothy W. Pope**, Rome, Ga.

Primary Examiner—Terry A. Wallace
Assistant Examiner—Nanda Bondade
Attorney, Agent, or Firm—Welsh & Katz, Ltd.

[73] Assignee: **Game Time, Inc.**, Payne, Ala.

[57] **CLAIM**

[**] Term: **14 Years**

The ornamental design for a pipe clamp for a round pipe, as shown and described.

[21] Appl. No.: **15,490**

DESCRIPTION

[22] Filed: **Nov. 18, 1993**

[52] U.S. Cl. **D8/382; D8/396**

[58] Field of Search **D8/382, 394, 396; 248/71, 73, 220.1; 403/190, 205, 231, 286, 403, 404, 405.1**

FIG. 1 is a front, right side perspective view of a pipe clamp for a round pipe of the subject design, the broken line showing of portions of a pipes being for illustrative purposes only;

FIG. 2 is a top plan view of the subject design, the bottom being a mirror image;

FIG. 3 is a front elevational view of the subject design;

FIG. 4 is a rear elevational view of the subject design;

FIG. 5 is a right side elevational view of the subject design; and,

FIG. 6 is a left side elevational view of the subject design.

[56] **References Cited**

U.S. PATENT DOCUMENTS

- D. 270,516 9/1983 Achille D8/499 X
- D. 298,510 11/1988 Marsh D8/394
- D. 347,568 6/1994 Siragusa, Jr. et al. D8/382

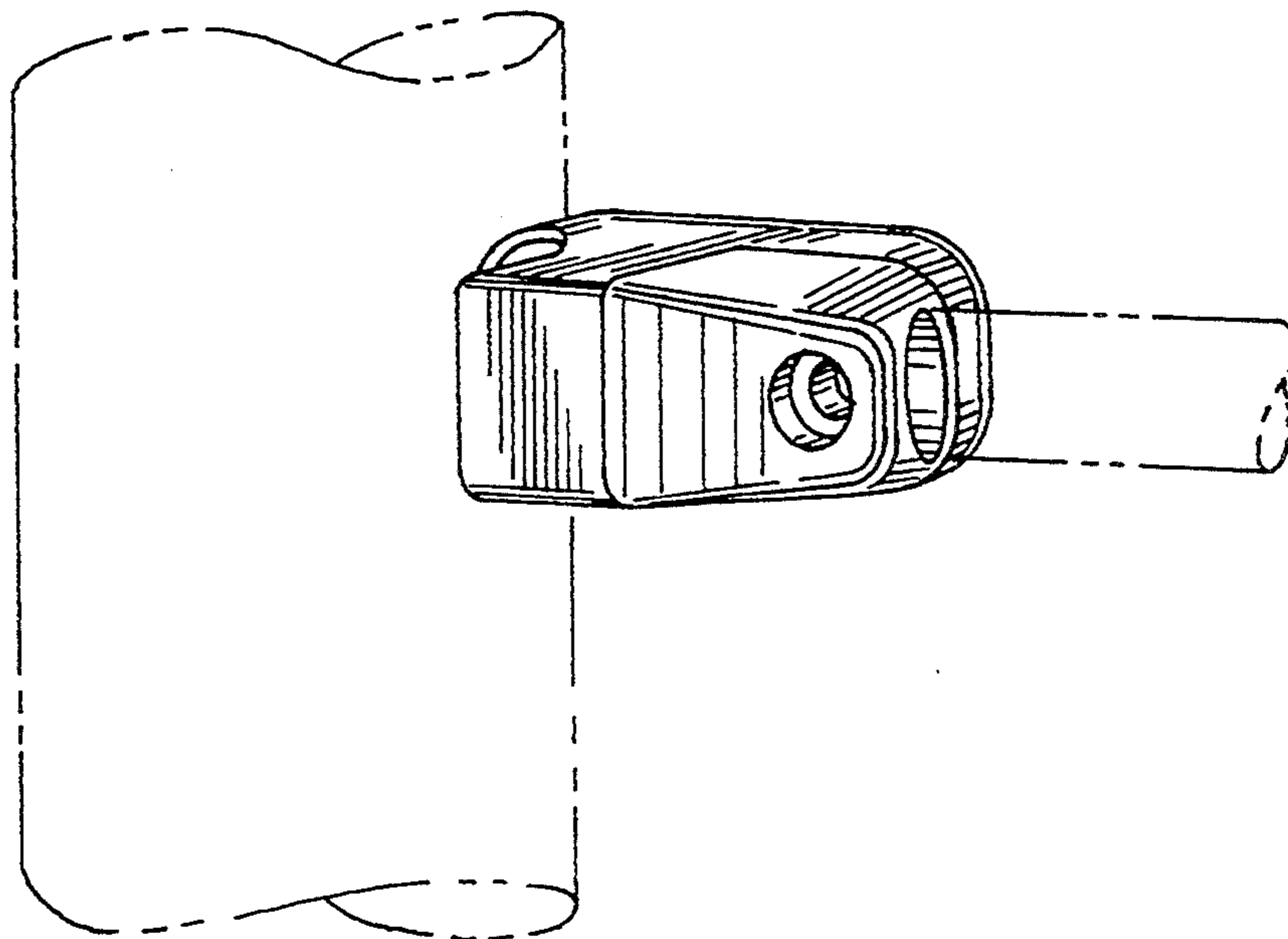


FIG. 1

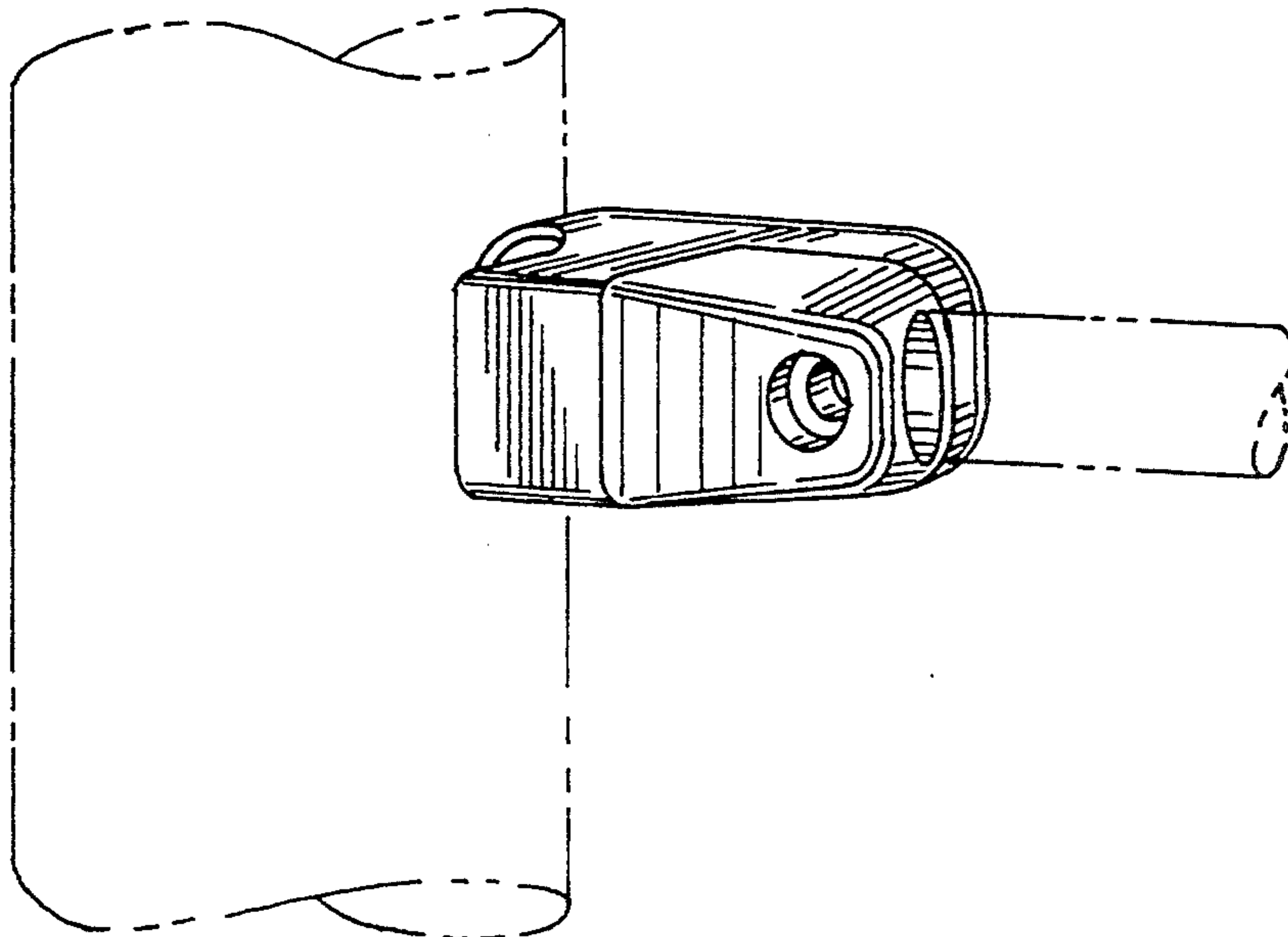


FIG. 2

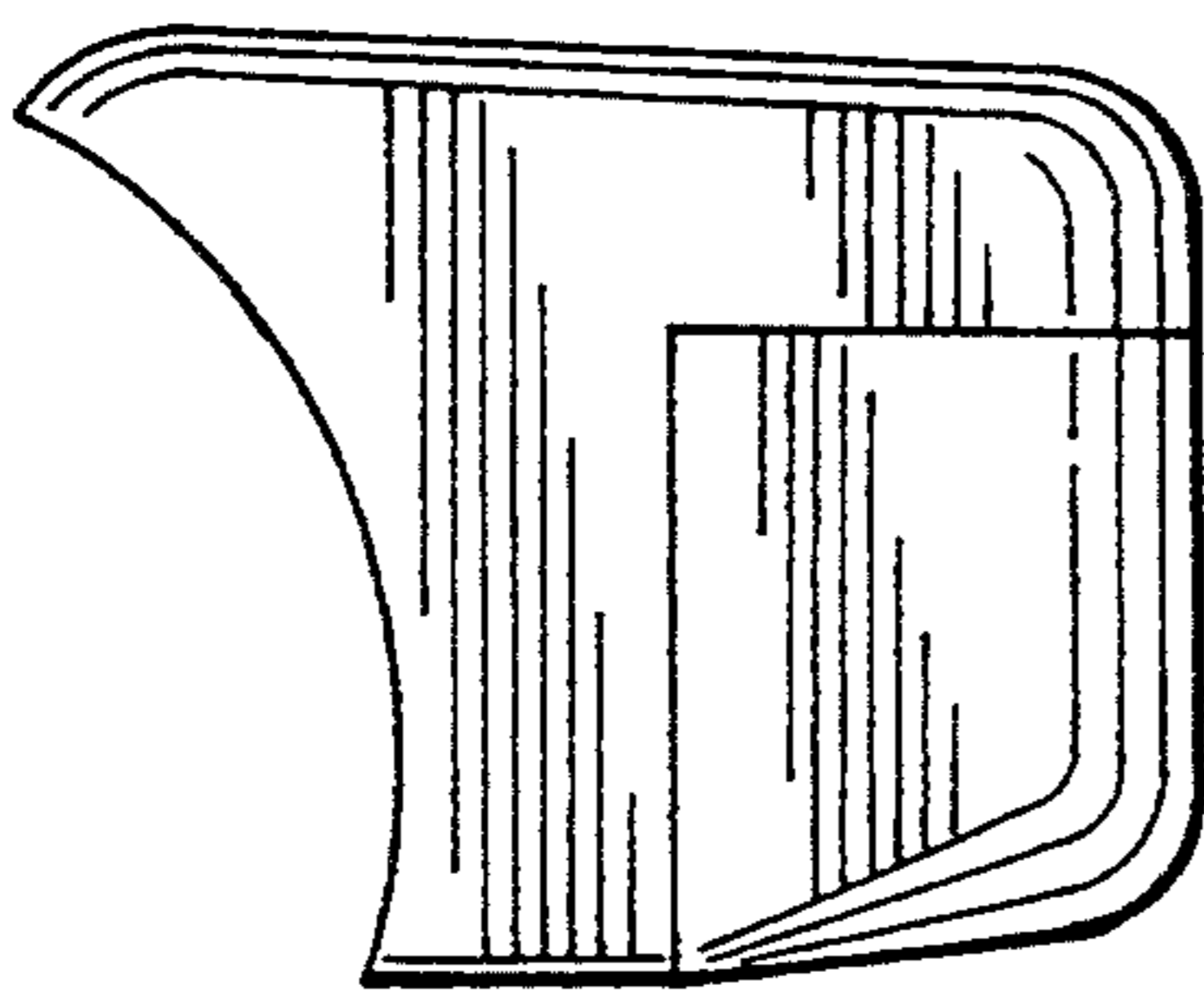


FIG. 4

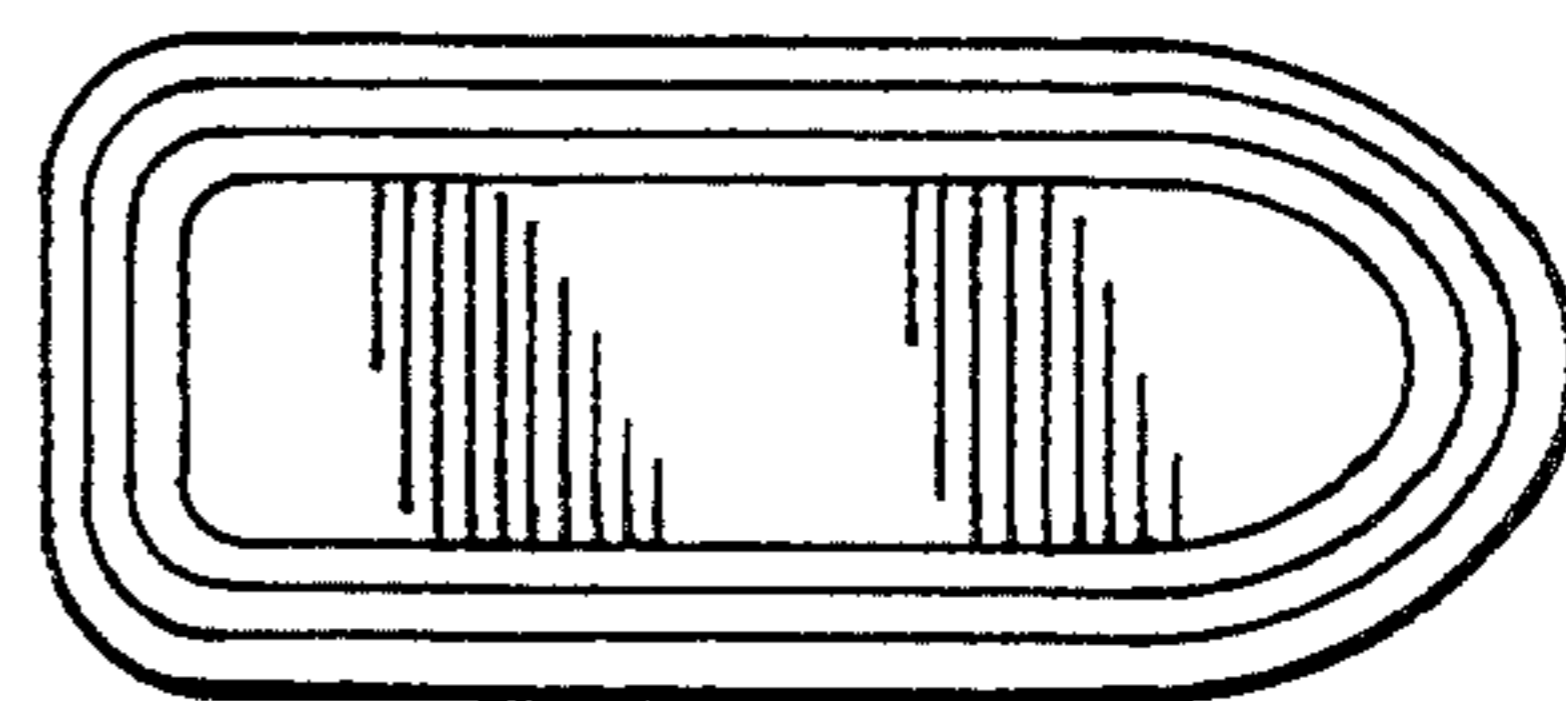


FIG. 5

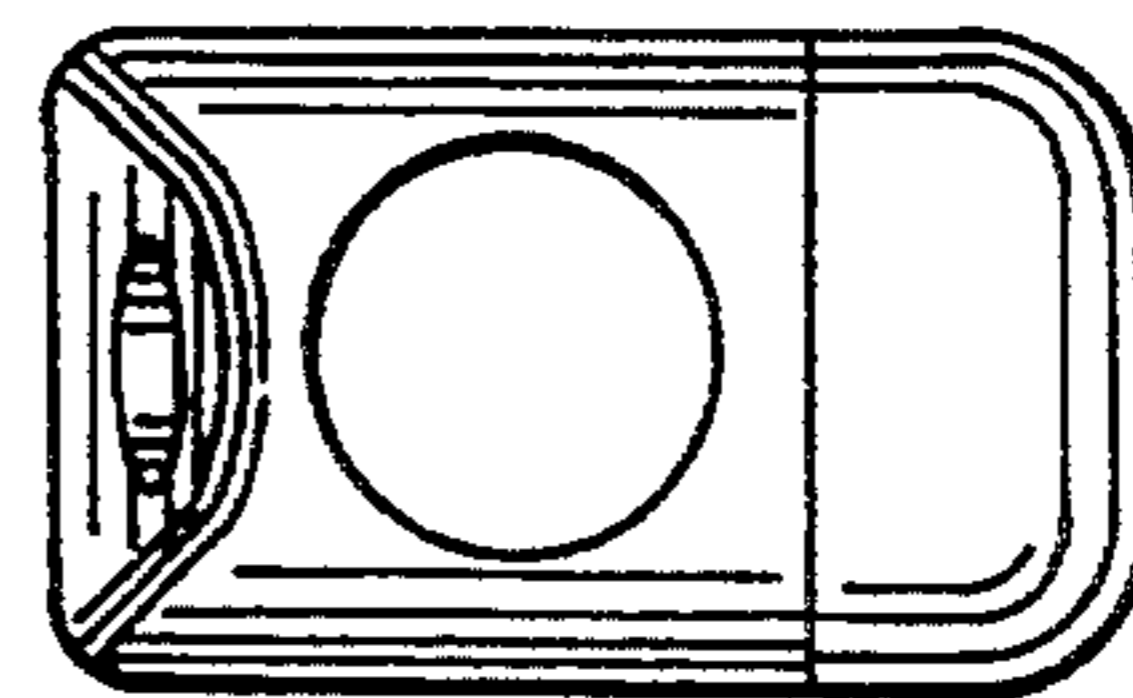


FIG. 3

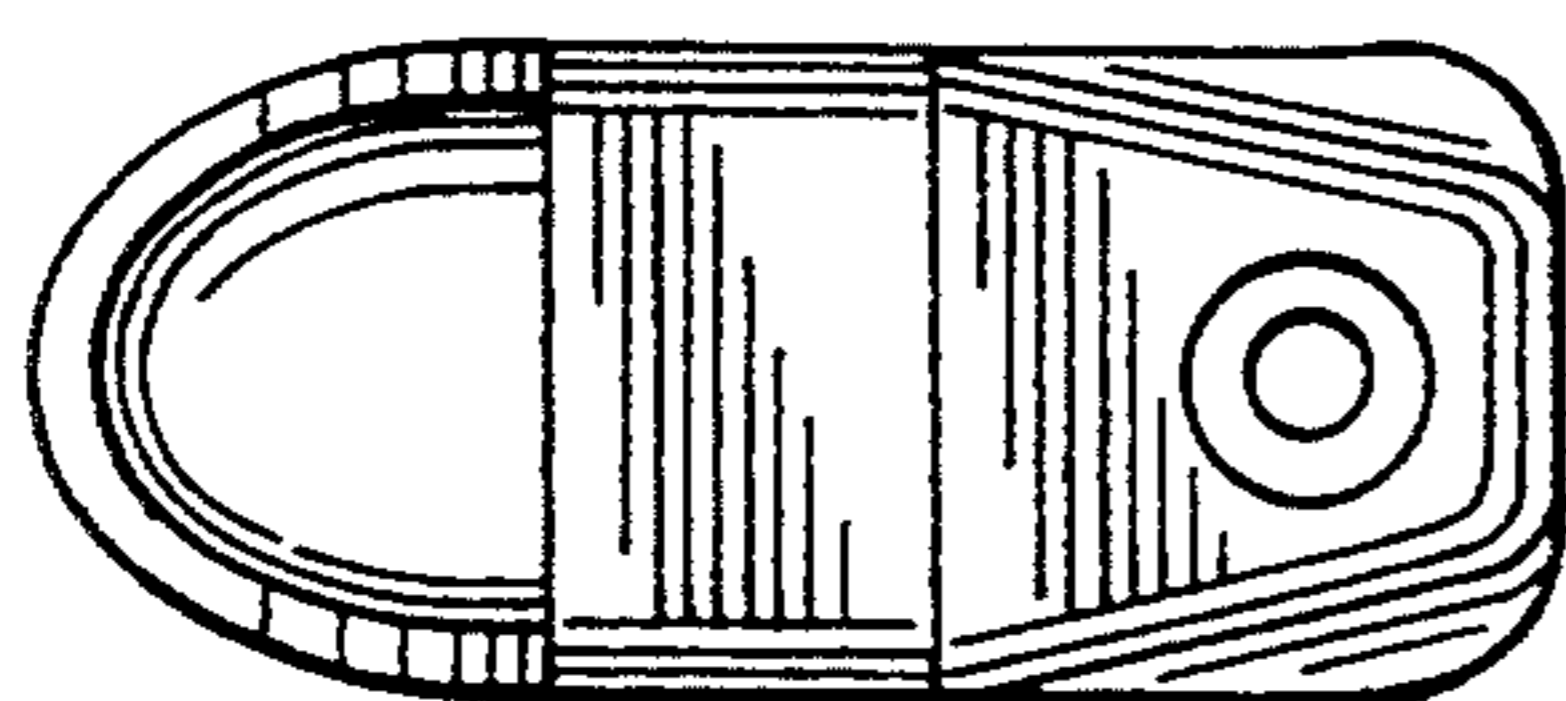


FIG. 6

