



US00D358084S

# United States Patent [19]

[11] Patent Number: **Des. 358,084**

Middlebrook

[45] Date of Patent: **\*\* May 9, 1995**

## [54] PIPE HANGING UNIT

[76] Inventor: **Jeffrey V. Middlebrook, 7 Primrose Cir., Seaside, Calif. 93955**

[\*\*] Term: **14 Years**

[21] Appl. No.: **818**

[22] Filed: **Oct. 26, 1992**

[52] U.S. Cl. .... **D8/373**

[58] Field of Search ..... **D8/373; 248/57-59**

## [56] References Cited

### U.S. PATENT DOCUMENTS

2,560,845	7/1951	Carpenter et al. ....	248/58
3,944,175	3/1976	Kearney .....	248/59
4,356,986	11/1982	Lynch .....	248/57
4,907,766	3/1990	Rinderer .....	248/57
4,957,251	9/1990	Hubbard .....	248/300 X

*Primary Examiner*—Wallace R. Burke  
*Assistant Examiner*—H. Baynham  
*Attorney, Agent, or Firm*—Robert M. Sperry

## [57] CLAIM

The ornamental design for a pipe hanging unit, as shown and described.

## DESCRIPTION

FIG 1 is a front perspective view of a pipe hanging unit in use, showing my new design;

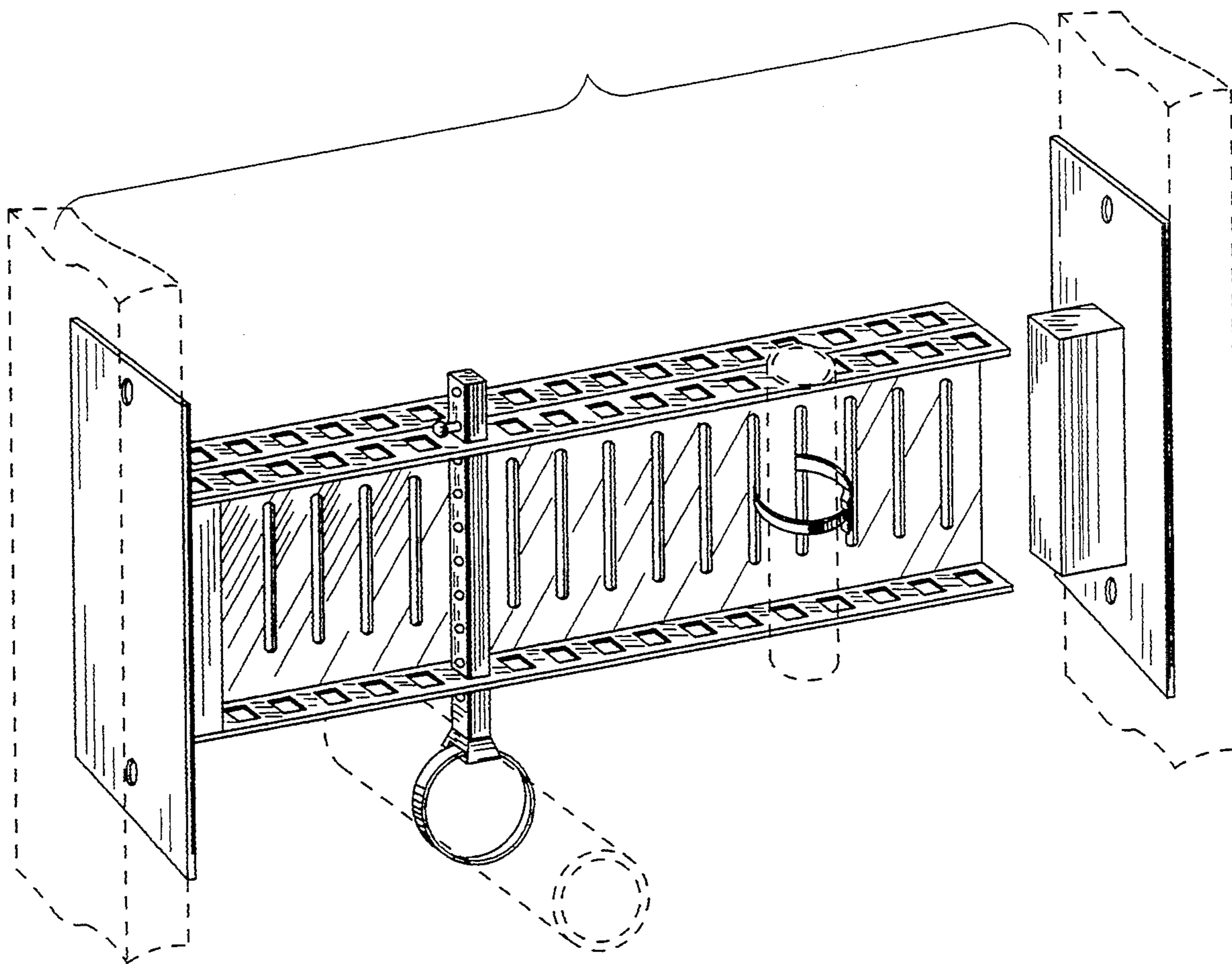
FIG. 2 is an exploded view of the strap and support of the claimed design detached from the main article;

FIG. 3 is an enlarged partial perspective view of the pipe support and head thereof detached from the support; and,

FIG. 4 is an end elevational view of the rack detached from the other elements of the claimed article with the opposite end being a mirror image thereof.

The pipe strap on the right side of the pipe supporting rack is identical to the strap shown in FIG. 2. The broken line showing of partial structure and pipes is for illustrative purposes only and forms no part of the claimed design. The undisclosed bottom plan view of the rack shown in FIG. 1 is identical in appearance to the disclosed top view.

The pipe support of the pipe hanging unit is partially shown for ease of illustration.



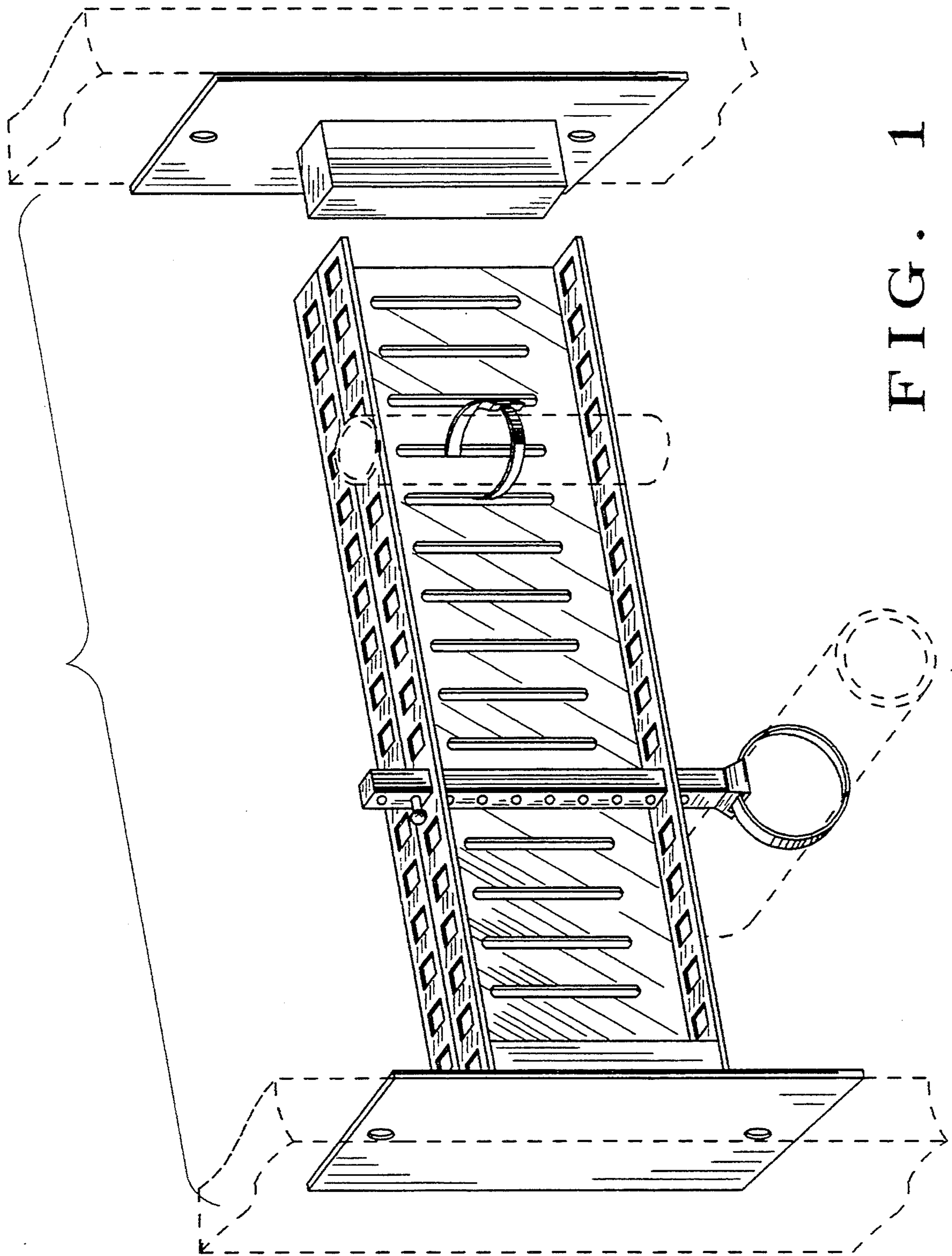


FIG. 1

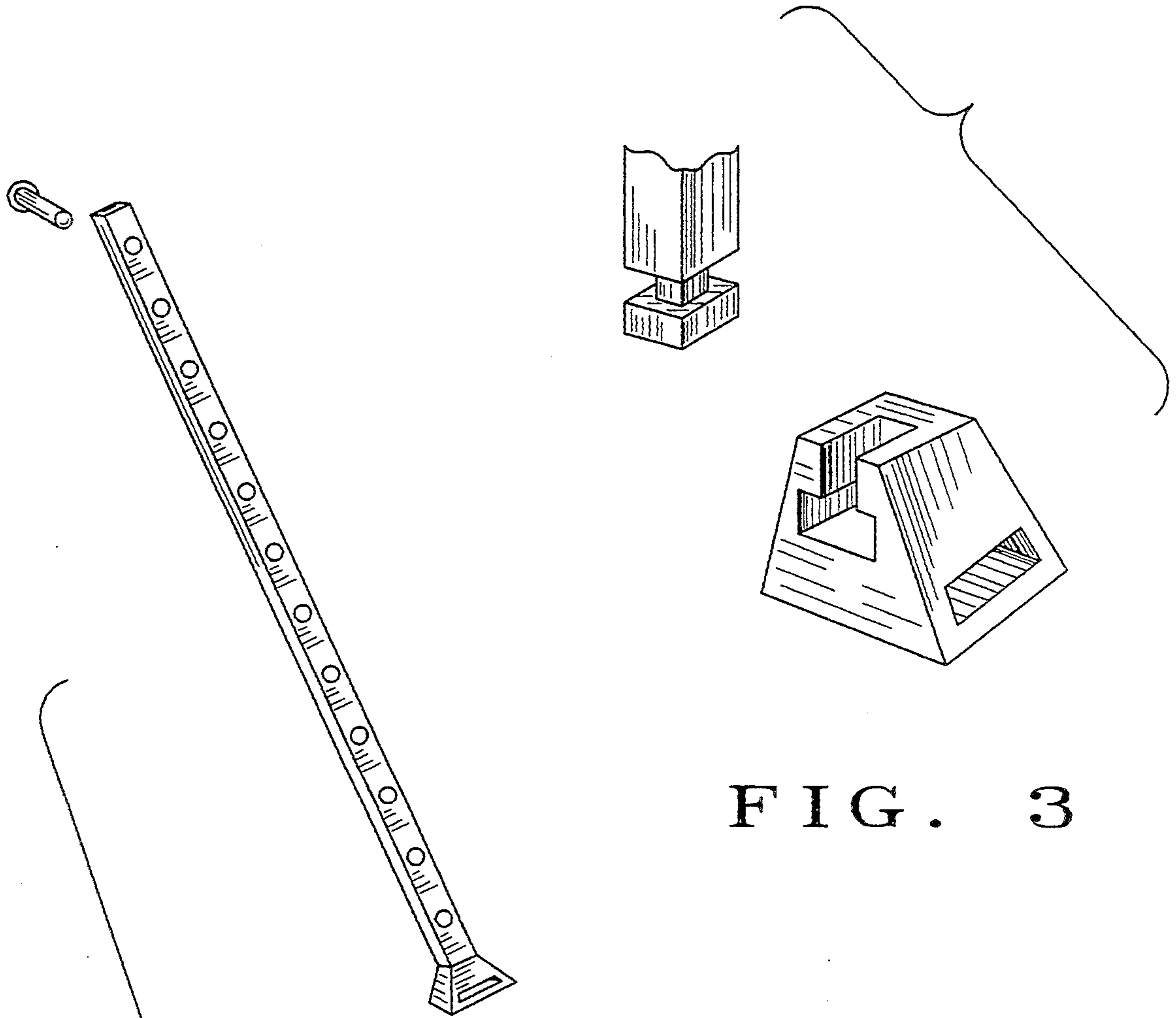


FIG. 3

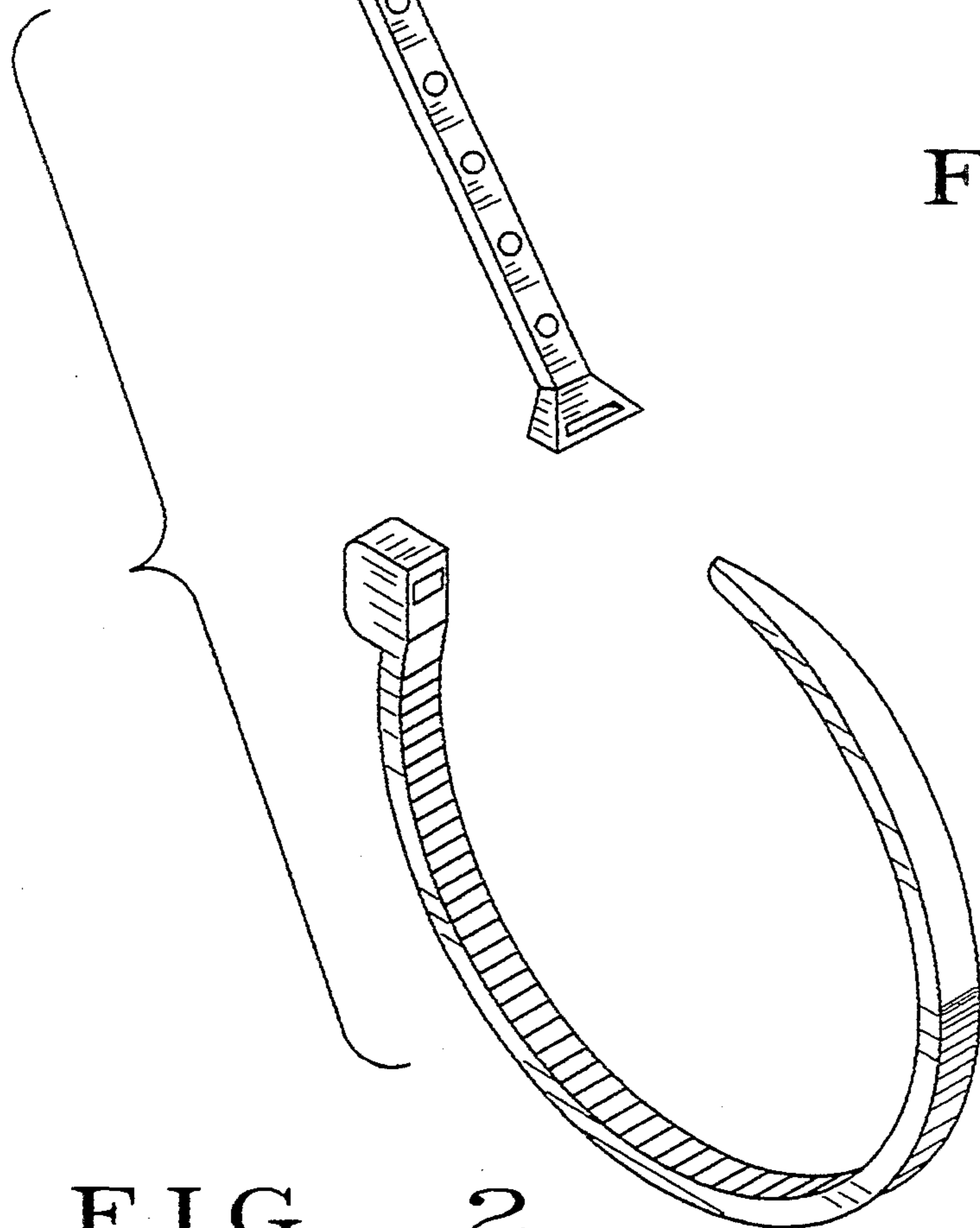


FIG. 2

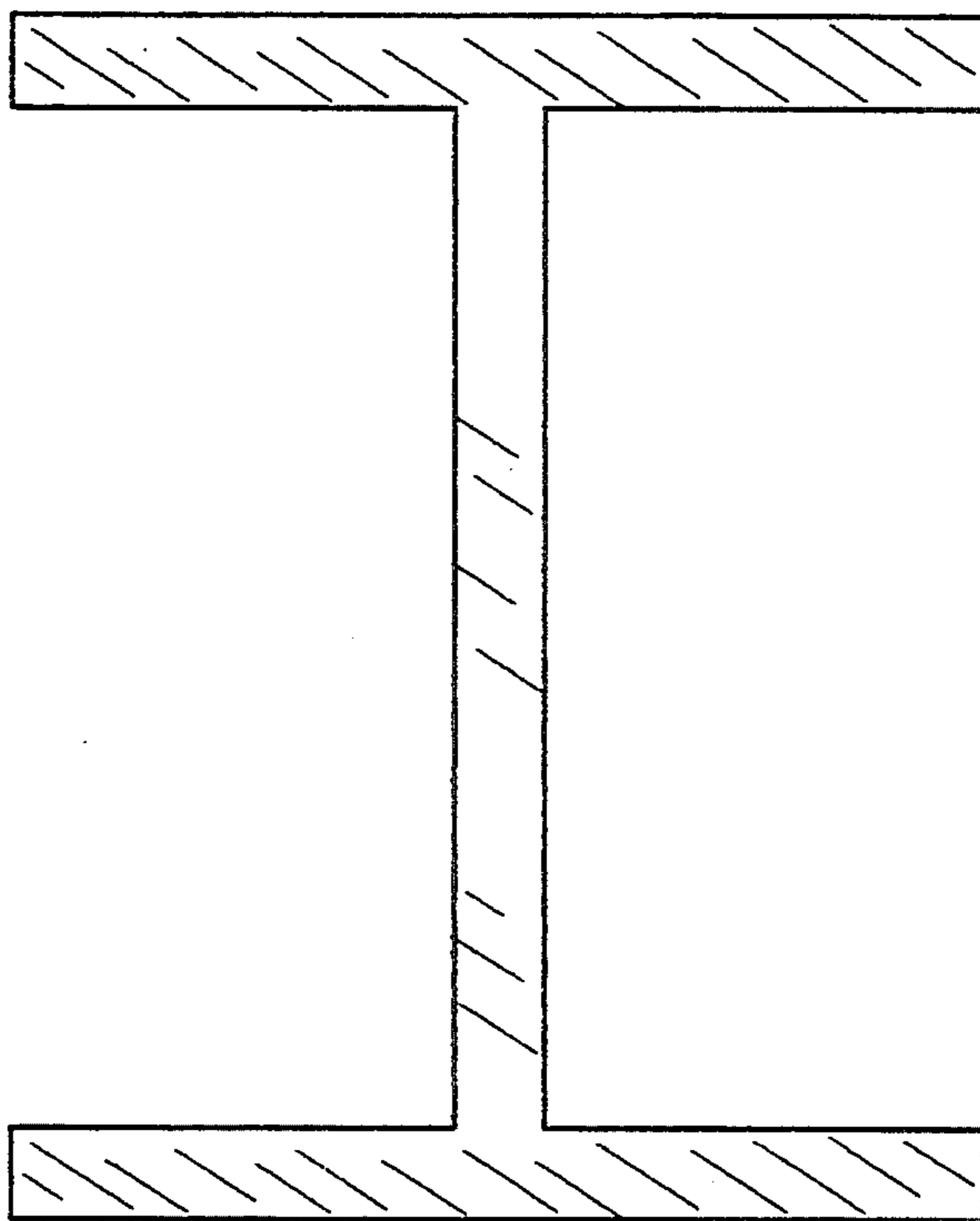


FIG. 4