



US00D358079S

United States Patent [19]

[11] Patent Number: **Des. 358,079**

Taniyama

[45] Date of Patent: **** May 9, 1995**

[54] **DIVIDER FOR A DOUBLE DISC COVER**

5,246,107 9/1993 Long et al. 206/311

[76] Inventor: **Yoshihiko Taniyama**, 9380 Old Southwick Pass, Alpharetta, Ga. 30202

FOREIGN PATENT DOCUMENTS

420350A1 4/1991 European Pat. Off. B65D 85/87

[**] Term: **14 Years**

Primary Examiner—C. A. Murphy
Attorney, Agent, or Firm—Troutman Sanders; Joel S. Goldman; John A. Savio, III

[21] Appl. No.: **5,754**

[57] CLAIM

[22] Filed: **Mar. 11, 1993**

The ornamental design for a divider for a double disc cover, as shown and described.

[52] U.S. Cl. **D6/629; D6/407**

[58] Field of Search D3/407, 626, 629, 630, D3/632, 633, 634, 304; D19/27, 32, 75; 206/310, 311, 316.1, 312, 387, 425, 444, 309

DESCRIPTION

[56] References Cited

U.S. PATENT DOCUMENTS

D. 260,122	8/1981	Turner	D3/35
D. 288,982	3/1987	Talopp	D6/407
D. 290,188	6/1987	Watanabe	D6/407
D. 333,562	3/1993	Weisburn et al.	D6/634
D. 333,563	3/1993	Weisburn et al.	D6/634
D. 342,379	12/1993	Taniyama	D6/634
D. 348,563	7/1994	Horikiri	D6/634
4,132,311	1/1979	Glinert	206/387
4,535,888	8/1985	Nusselder	206/444
4,702,369	10/1987	Philosphe	206/312
4,750,611	6/1988	Morrone	206/45.13
4,793,480	12/1988	Gelardi et al.	206/312
4,874,085	10/1989	Grobecker et al.	206/309
5,213,229	5/1993	Taniyama	220/335

FIG. 1 is a perspective view of a divider for a double disc cover showing my new design, the broken lines showing double lids throughout the views being for illustrative purposes only and forming no part of the claimed design;

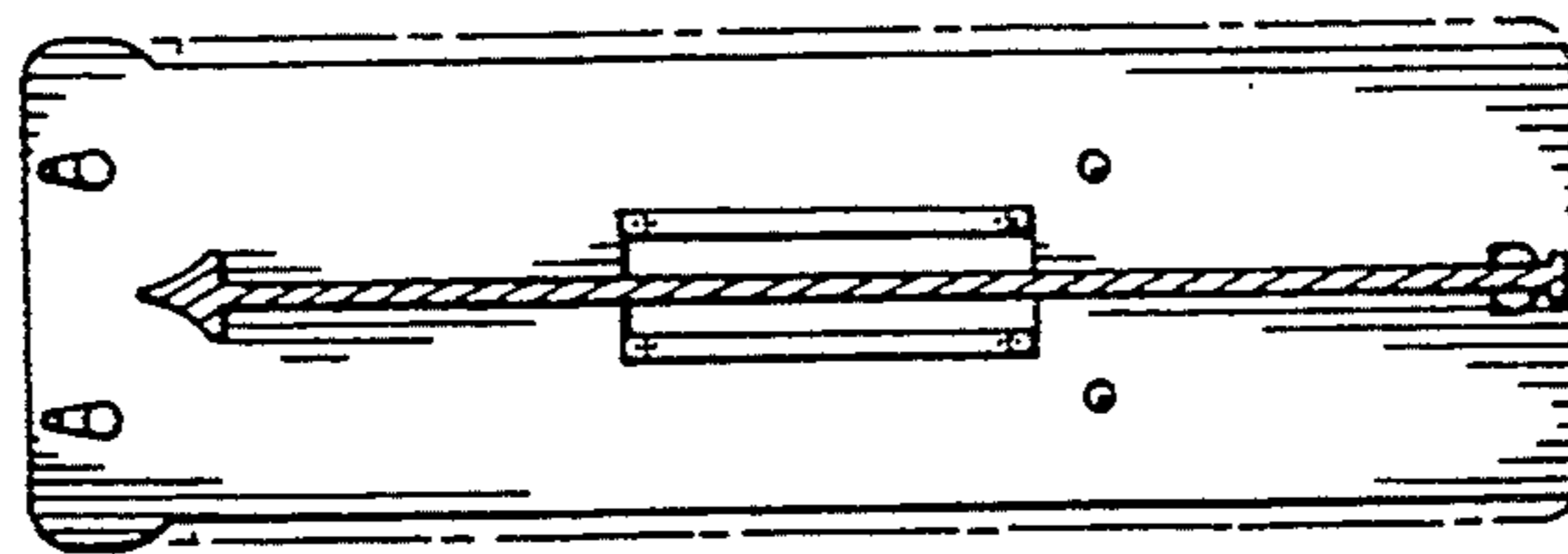
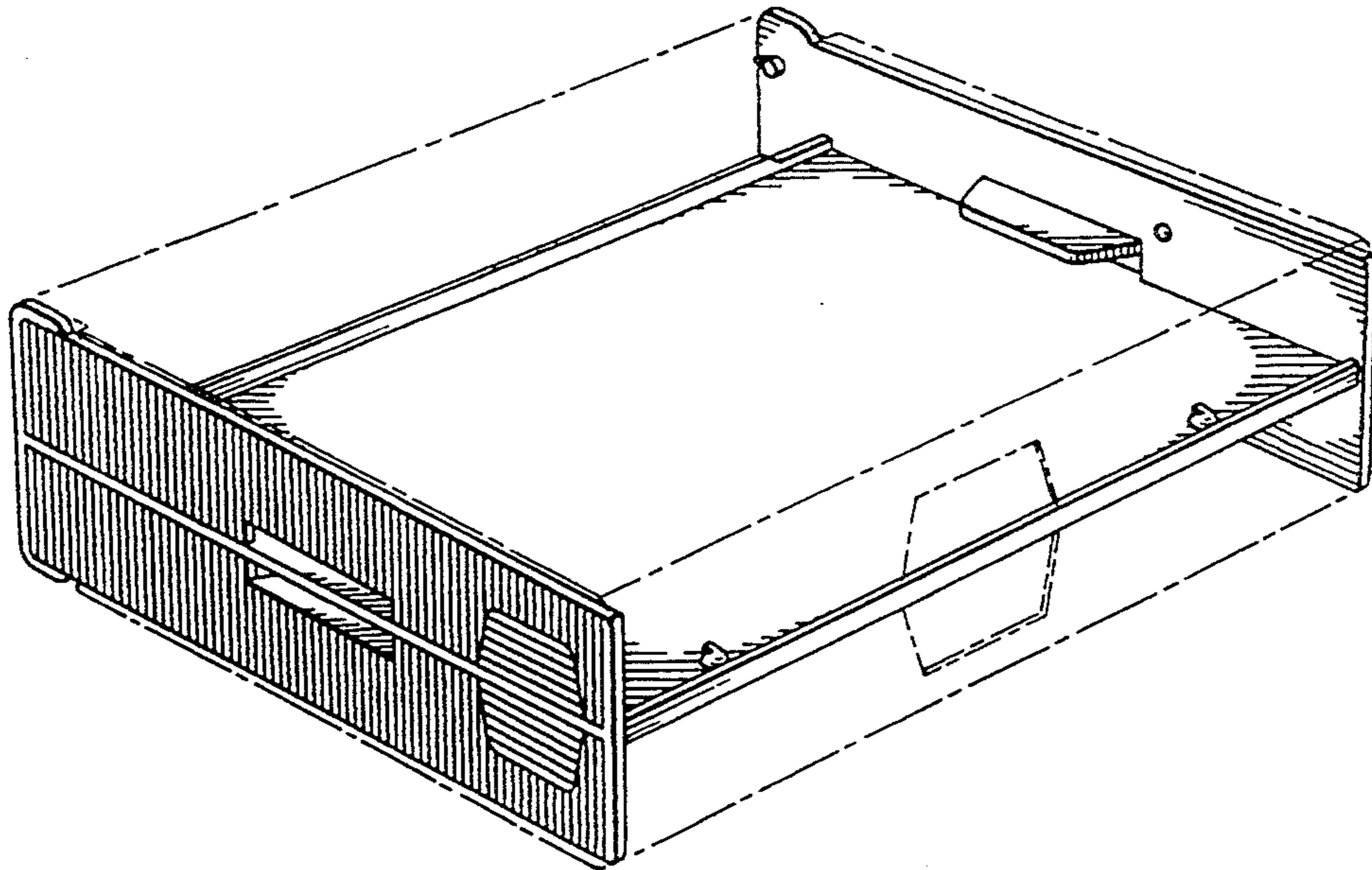
FIG. 2 is a top plan view of a divider for a double disc cover of FIG. 1, with the bottom plan view being a mirror image thereof;

FIG. 3 is a front elevational view of a divider for a double disc cover of FIG. 1;

FIG. 4 is a rear elevational view of a divider for a double disc cover of FIG. 1;

FIG. 5 is a left side elevational view of a divider for a double disc cover of FIG. 1 with the right side elevational view being a mirror image thereof; and,

FIG. 6 is a cross-sectional view along line 6—6 of a divider for a double disc cover of FIG. 2.



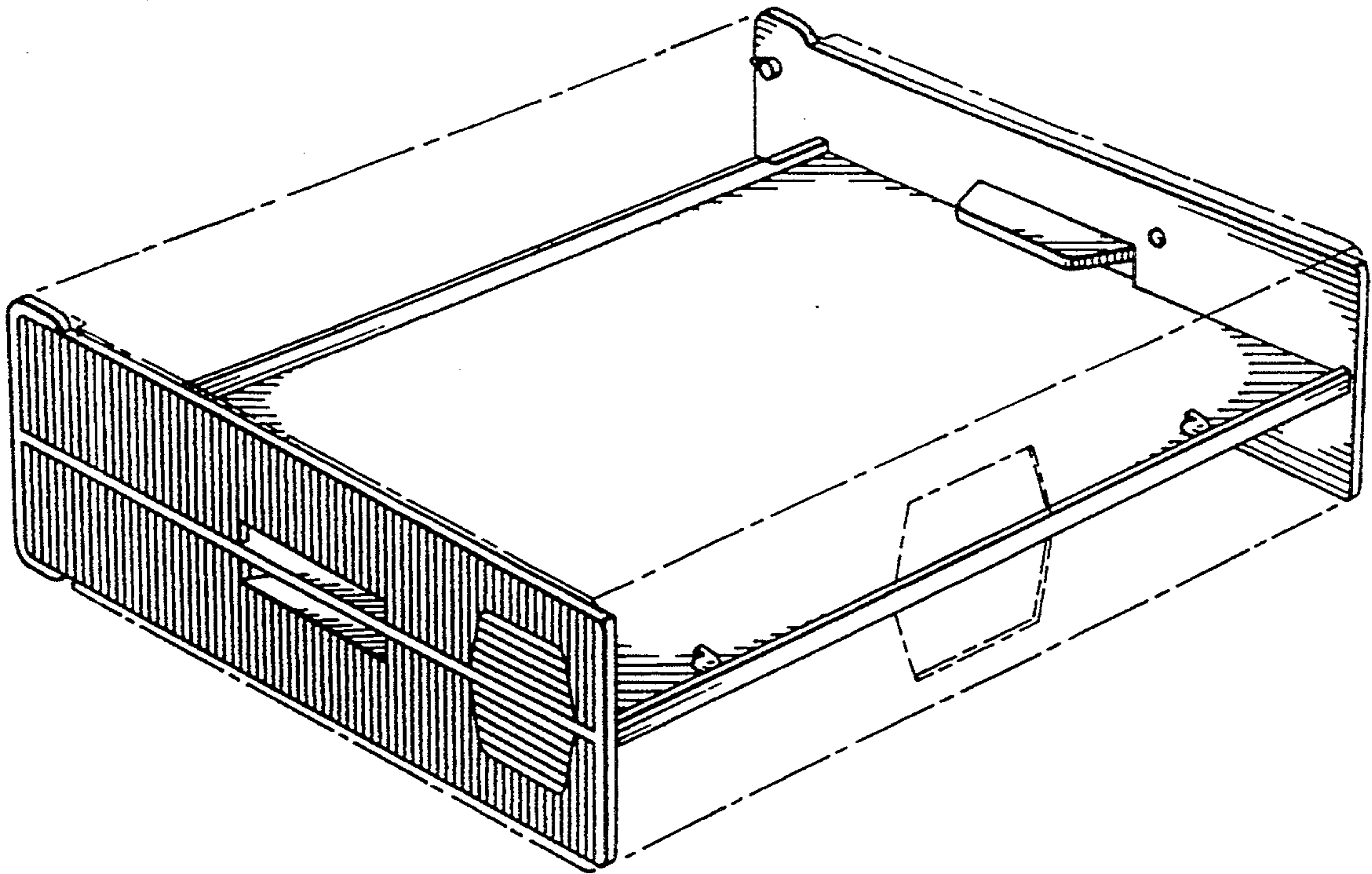


FIG 1

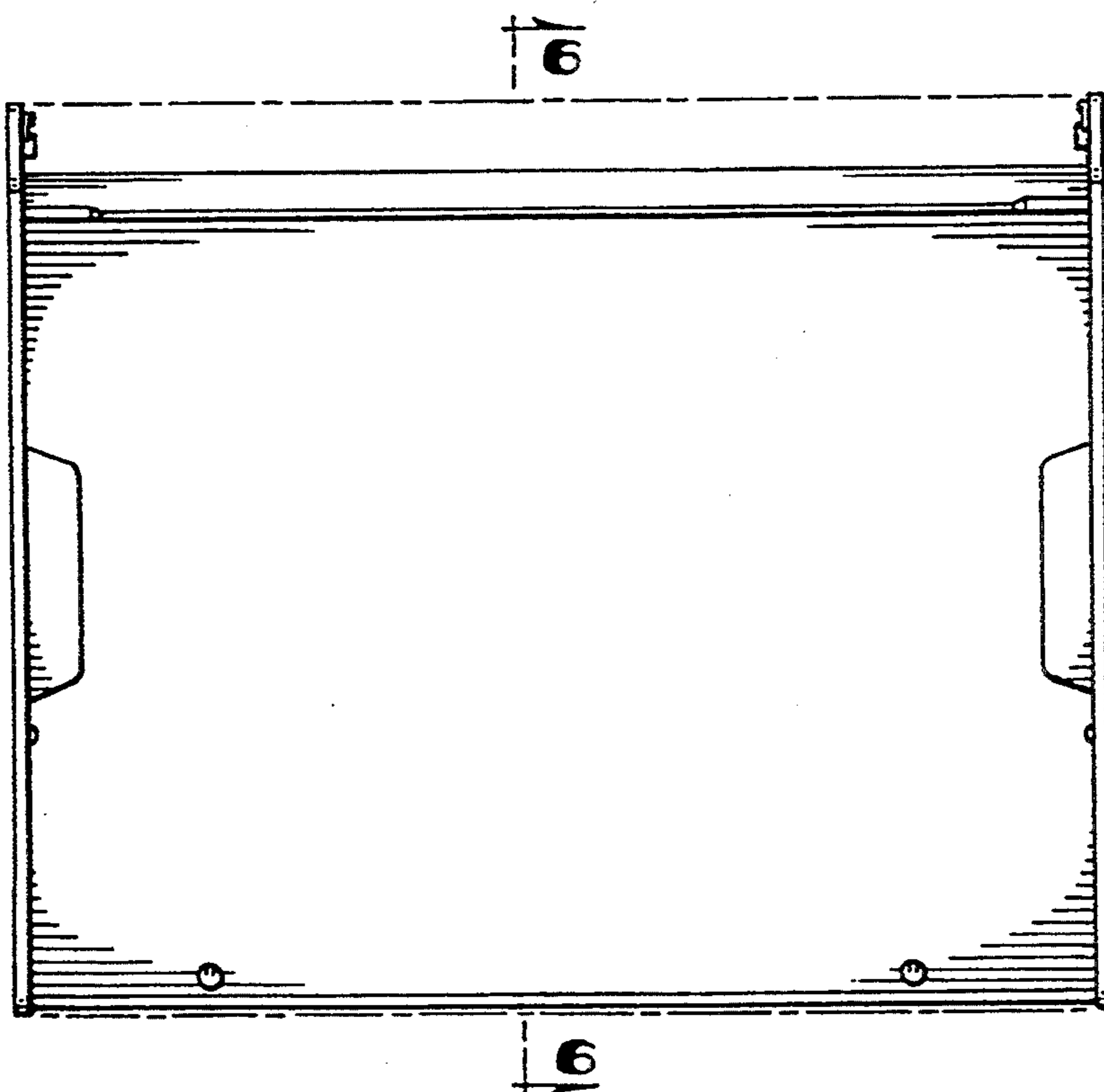


FIG 2

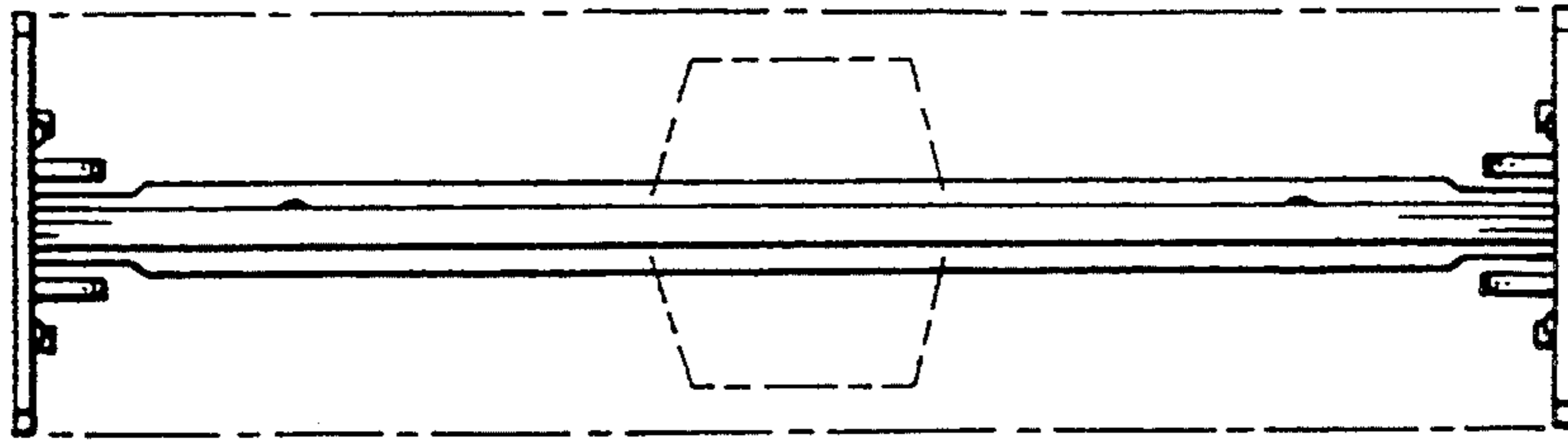


FIG 3

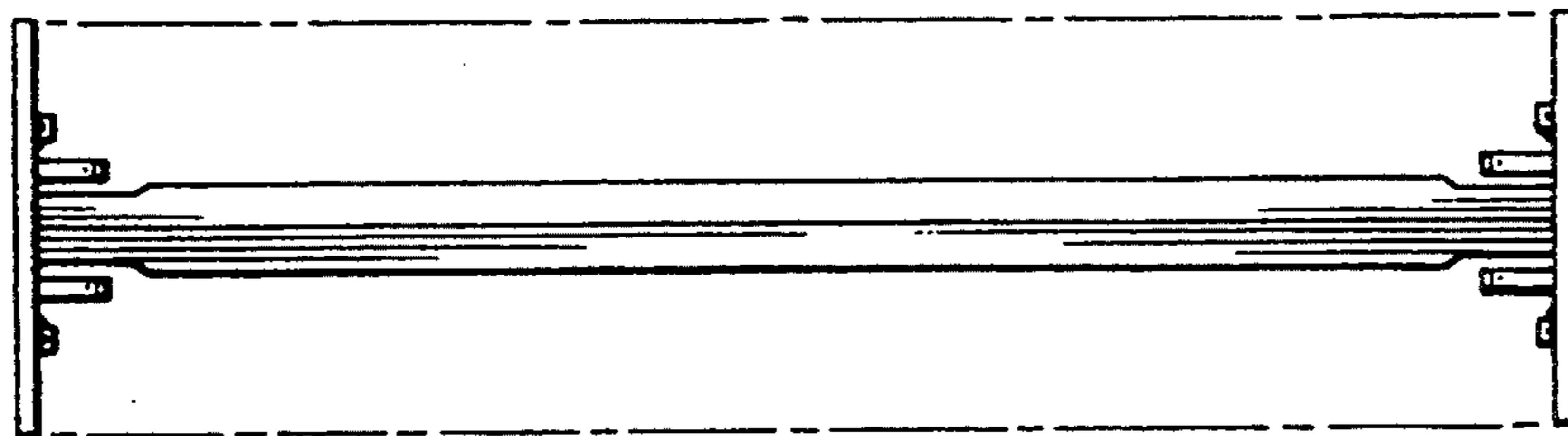


FIG 4

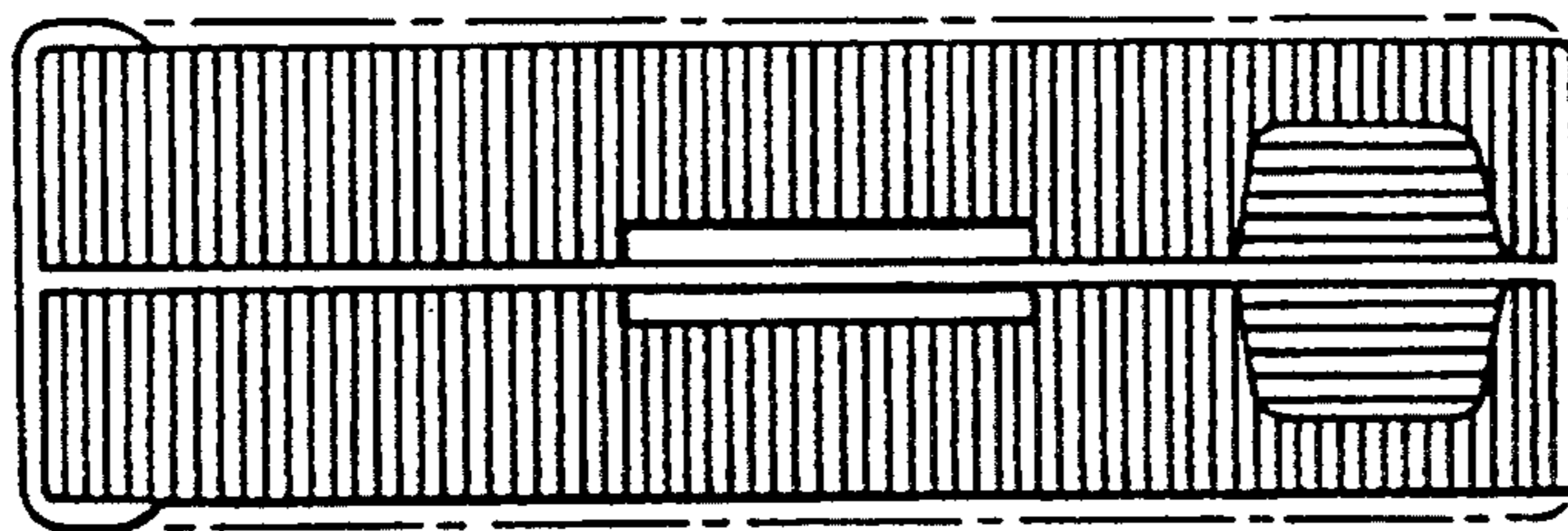


FIG 5

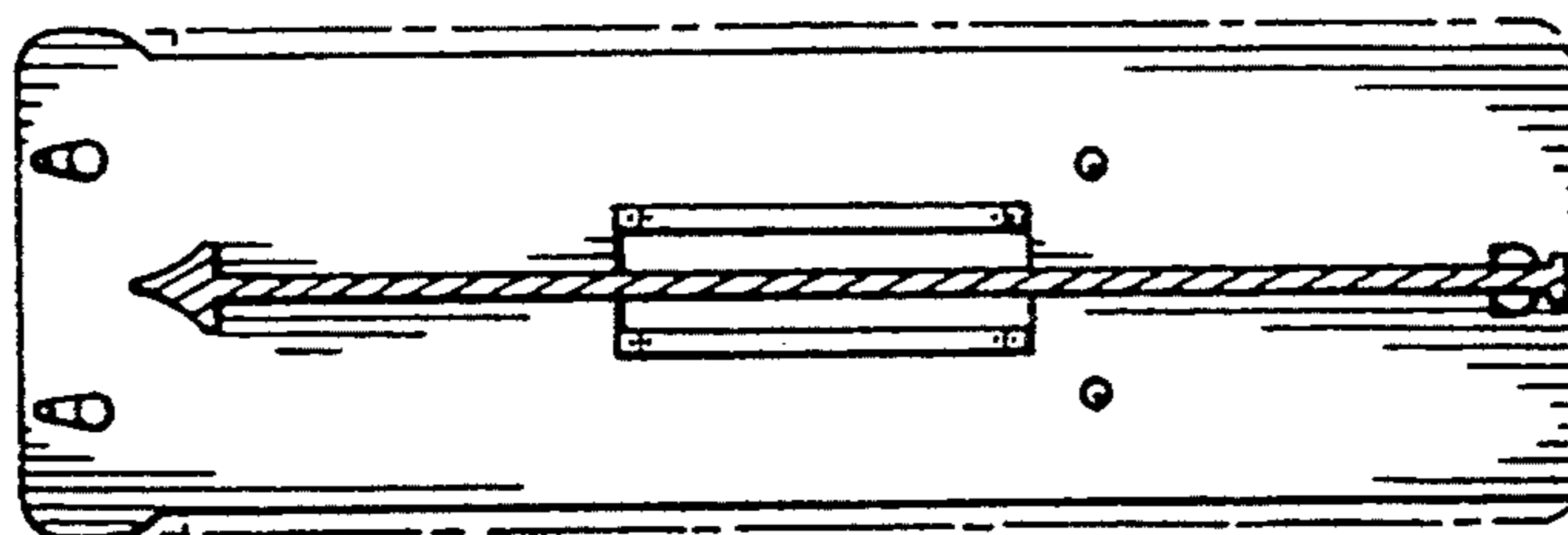


FIG 6