



US00D358077S

# United States Patent [19]

[11] Patent Number: **Des. 358,077**

Hutton

[45] Date of Patent: **\*\* May 9, 1995**

[54] CHAIR

[75] Inventor: **John Hutton, New York, N.Y.**

[73] Assignee: **Donghia Furniture, New York, N.Y.**

[\*\*] Term: **14 Years**

[21] Appl. No.: **17,156**

[22] Filed: **Jan. 5, 1994**

[52] U.S. Cl. .... **D6/334**

[58] Field of Search ..... **D6/334, 371, 372, 373, D6/374, 375, 379, 500, 501, 502; 297/446**

[56] **References Cited**

**U.S. PATENT DOCUMENTS**

- D. 115,838 7/1939 Prokosch ..... D6/373
- D. 229,804 1/1974 Hassinger ..... D6/374
- D. 230,543 3/1974 McDermott et al. .... D6/375

- D. 321,098 10/1991 Toffoloni ..... D6/379
- D. 348,788 7/1994 Starck ..... D6/375

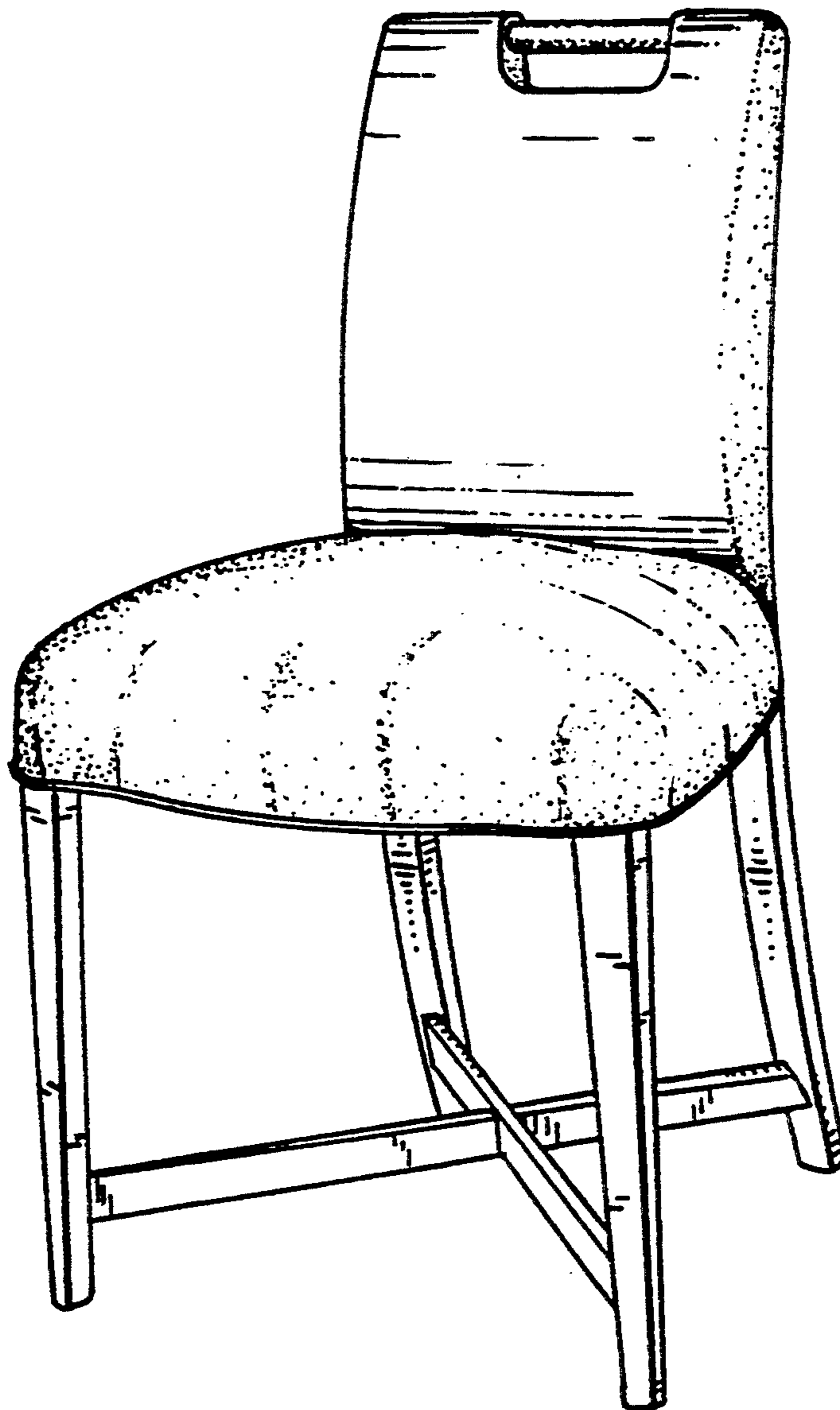
*Primary Examiner*—Alan P. Douglas  
*Assistant Examiner*—Gary D. Watson  
*Attorney, Agent, or Firm*—Kenyon & Kenyon

[57] **CLAIM**

The ornamental design for a chair, as shown and described.

**DESCRIPTION**

FIG. 1 is a front perspective view of a chair showing my new design;  
FIG. 2 is a rear elevational view thereof;  
FIG. 3 is a front elevational view thereof;  
FIG. 4 is a left side elevational view thereof;  
FIG. 5 is a right side elevational view thereof; and,  
FIG. 6 is a top plan view thereof.



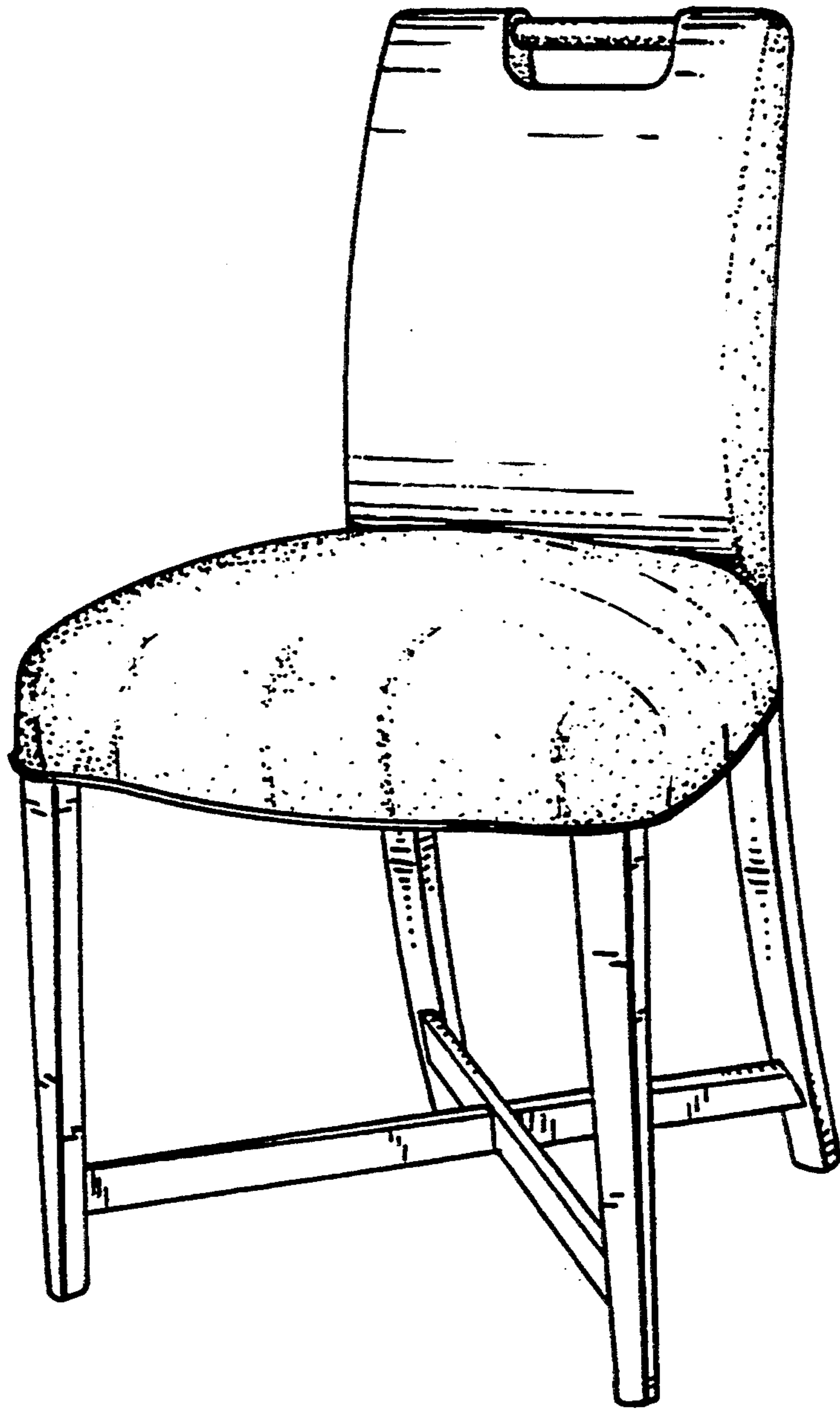


FIG. 1

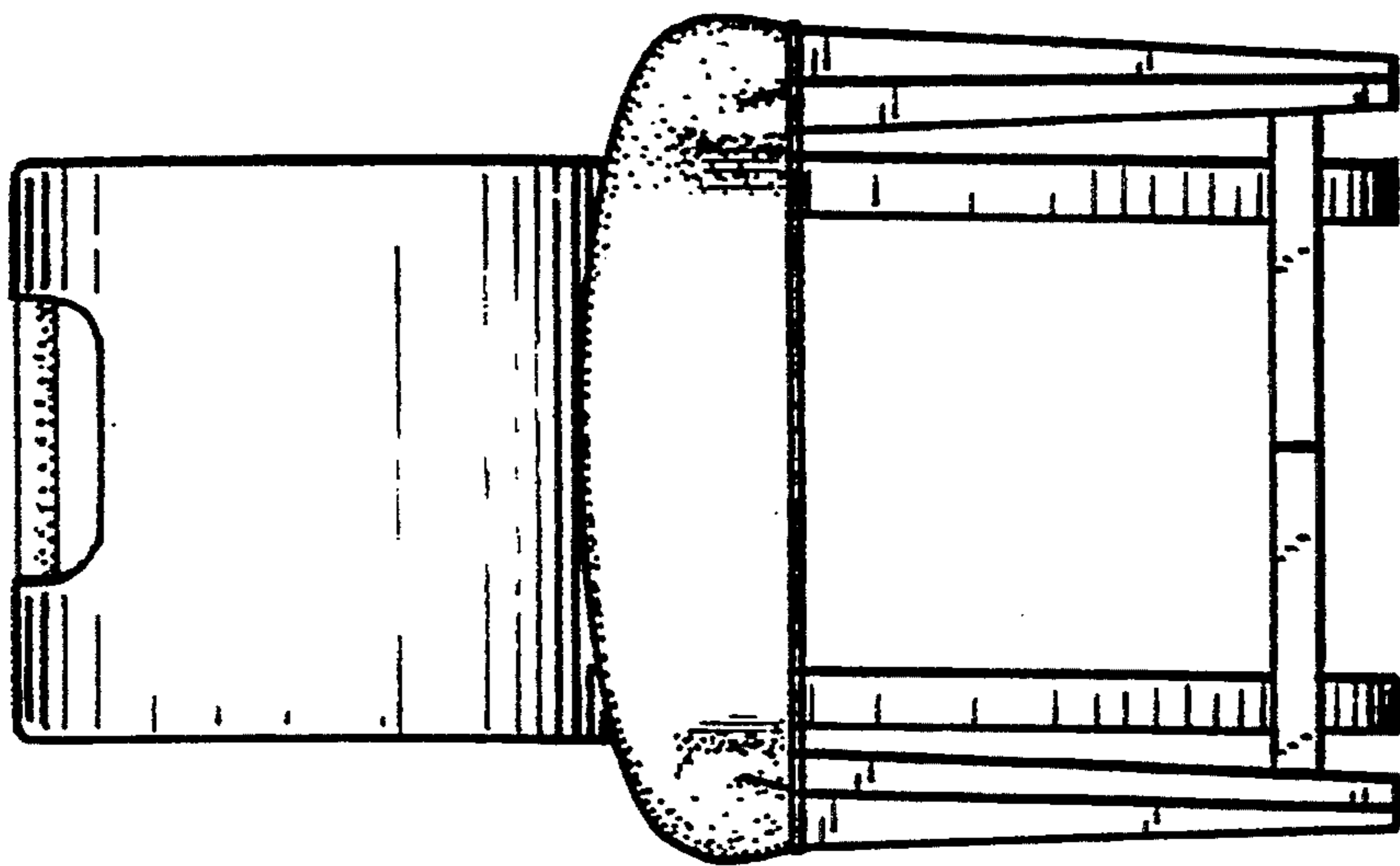


FIG. 2

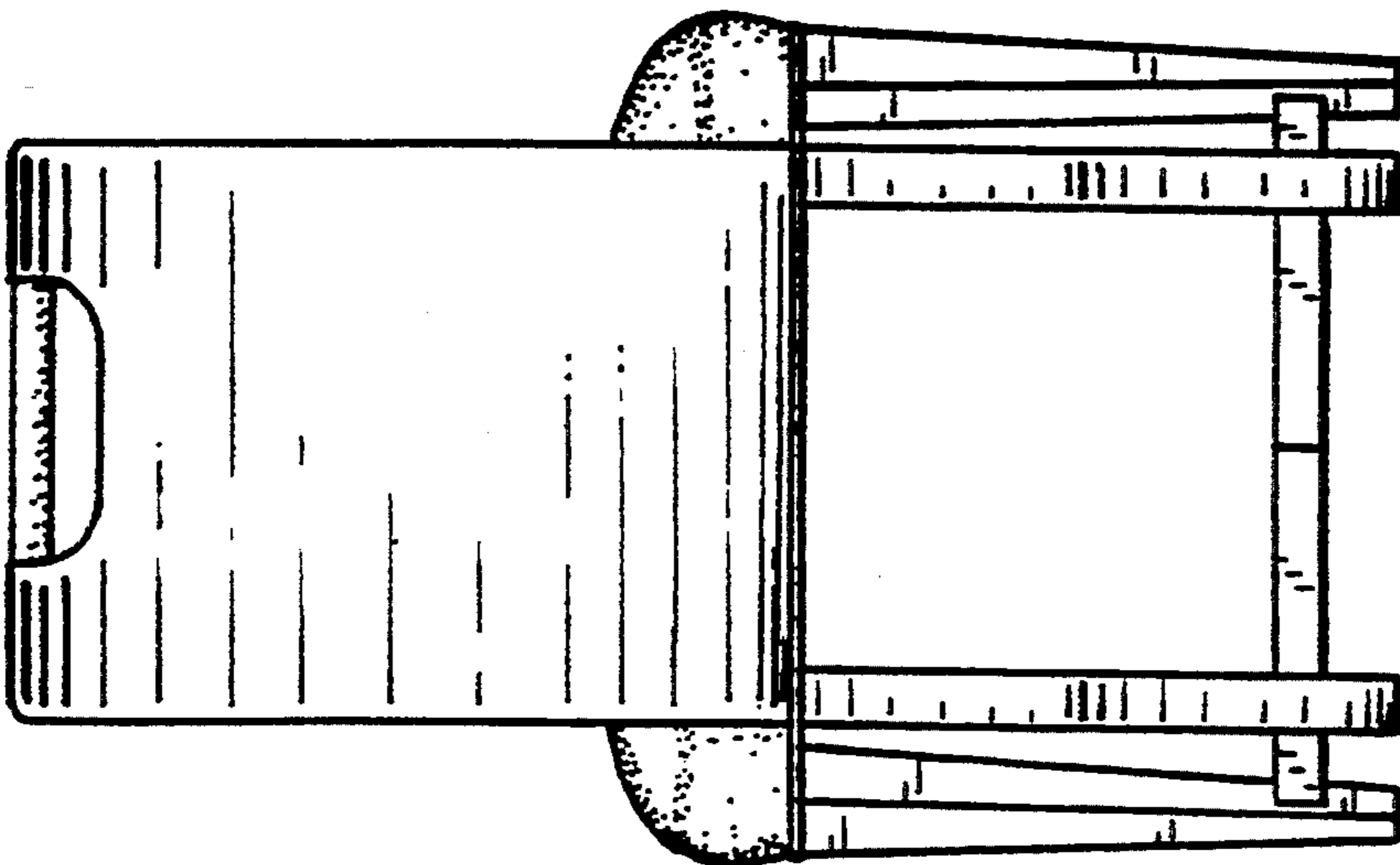


FIG. 3

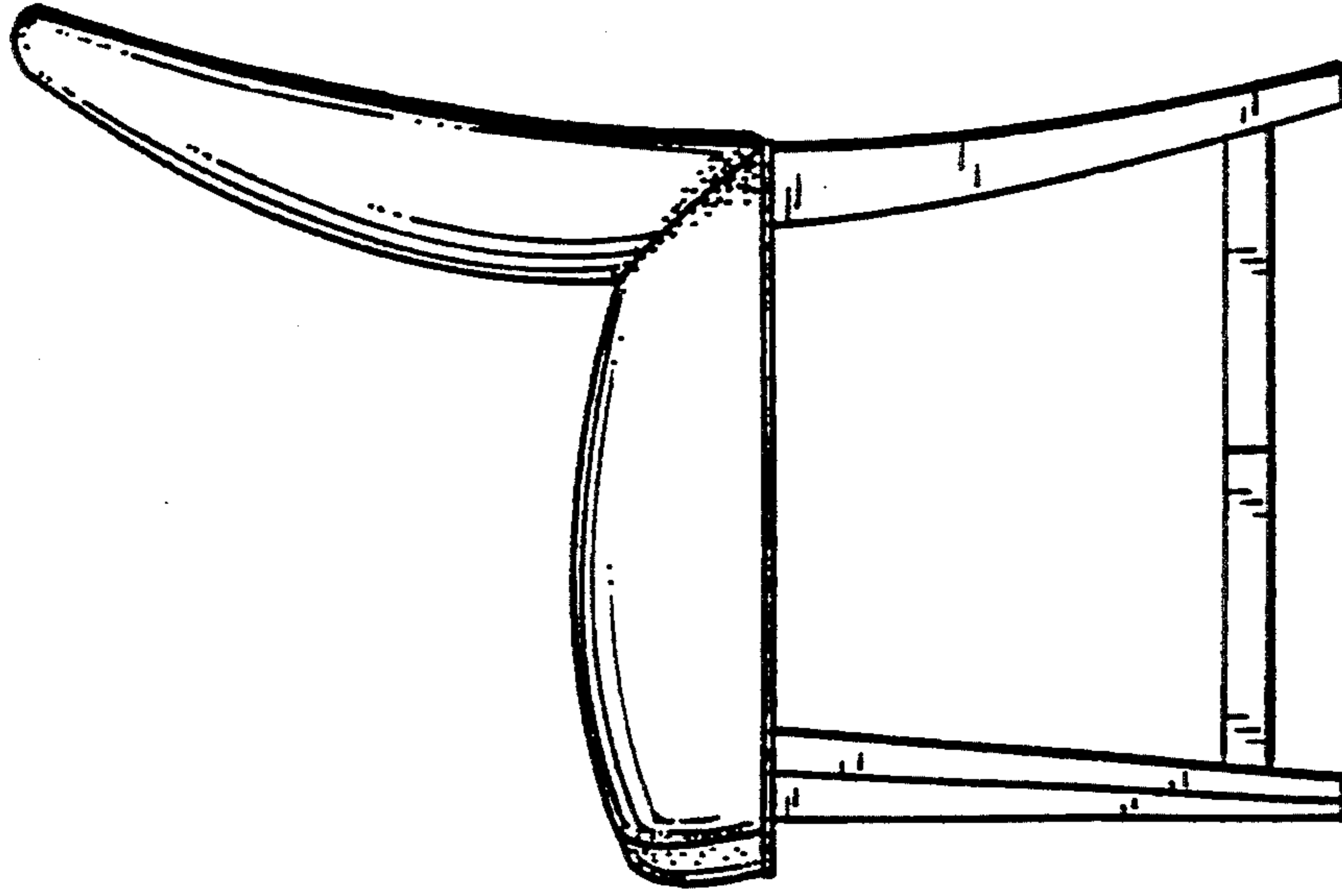


FIG. 5

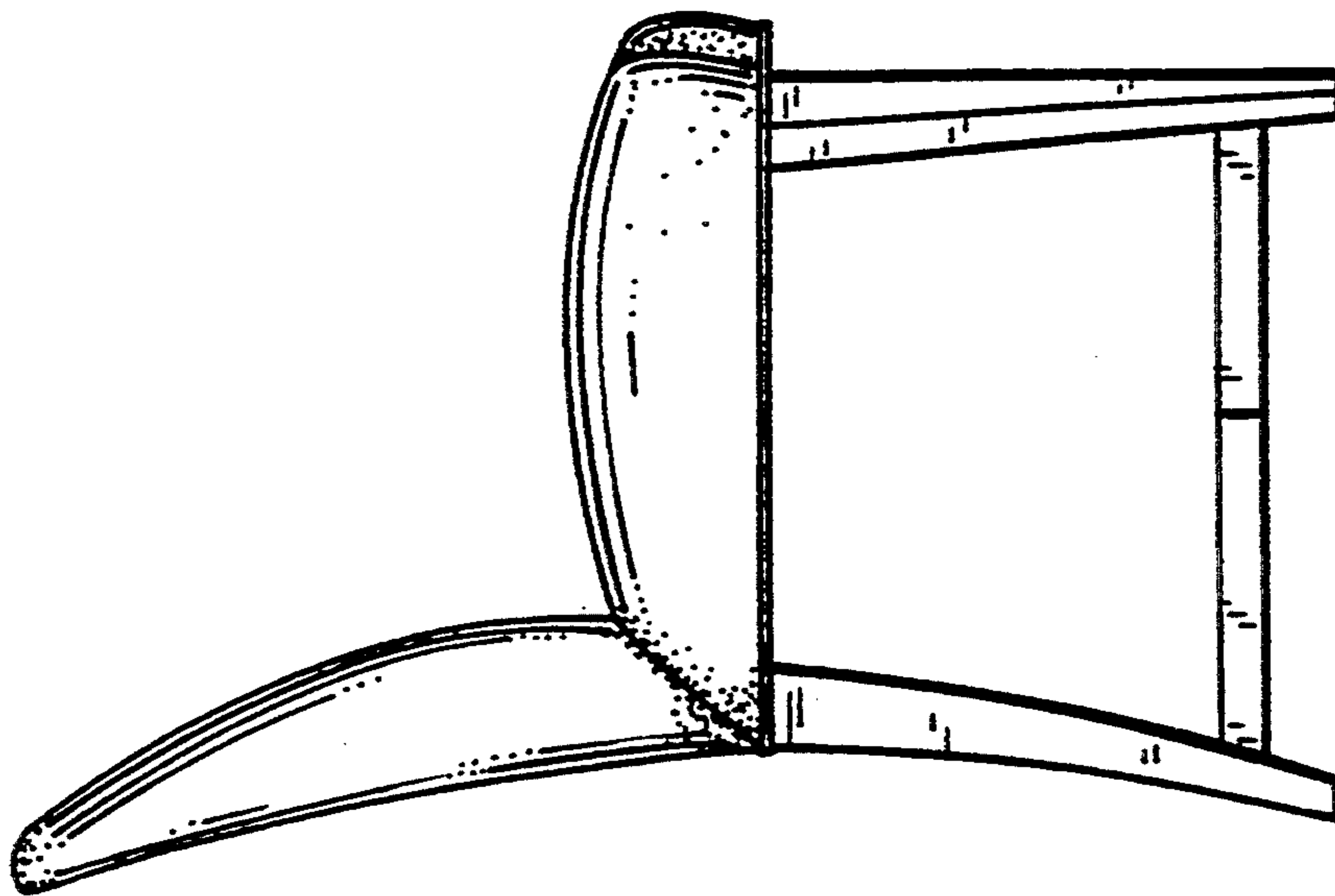


FIG. 4

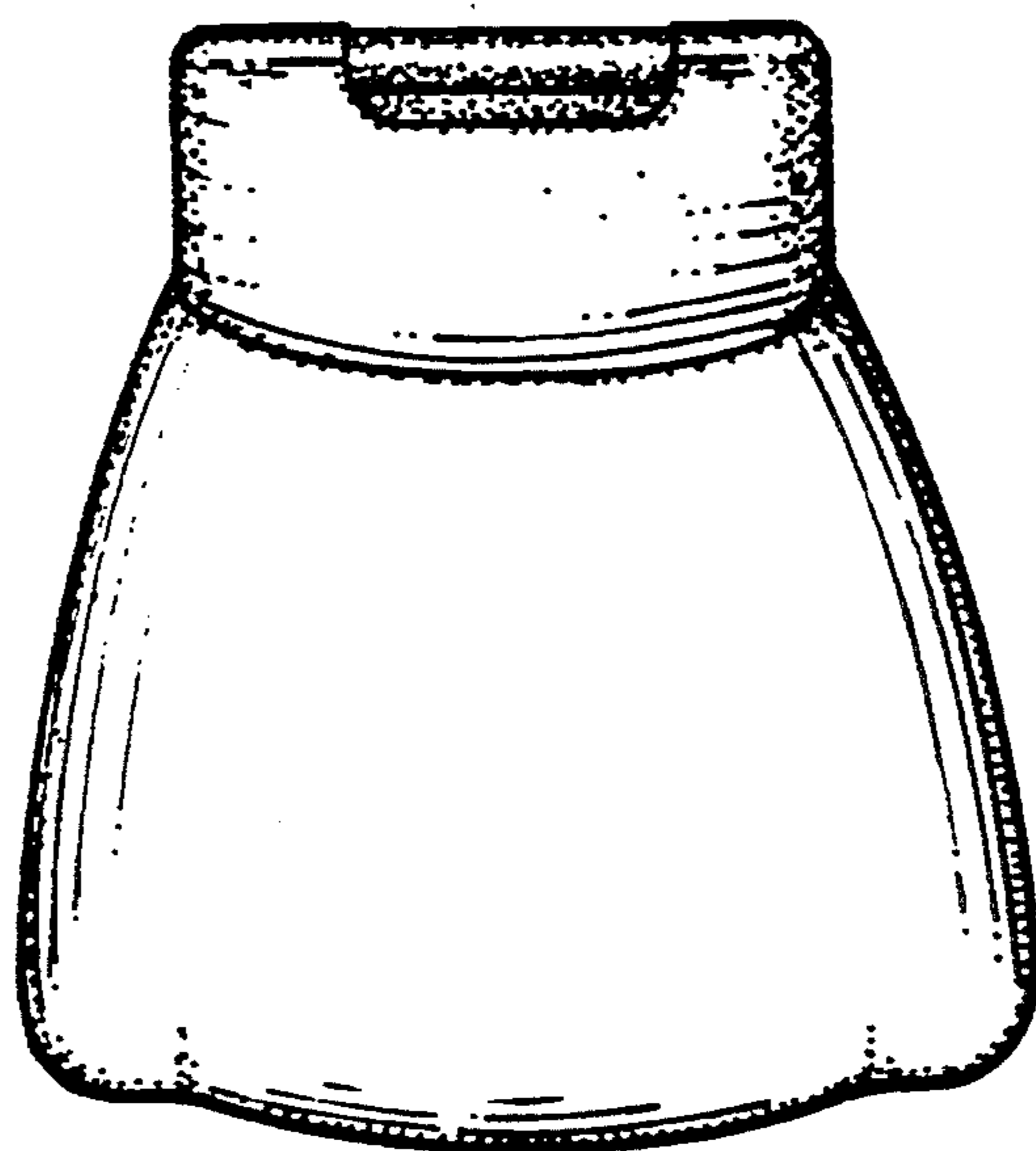


FIG. 6