



US00D358075S

United States Patent [19]

[11] Patent Number: **Des. 358,075**

Ulmer

[45] Date of Patent: **** May 9, 1995**

[54] **MECHANICAL FAN BLADE PULLER**

[76] Inventor: **Peter F. Ulmer, P.O. Box 436, Empire, La. 70050**

[**] Term: **14 Years**

[21] Appl. No.: **17,435**

[22] Filed: **Jan. 13, 1994**

[52] U.S. Cl. **D8/51**

[58] Field of Search **D8/14, 51; 29/258, 259, 29/260, 261, 262, 263, 264, 265**

4,852,235	8/1989	Trease et al.	29/263
4,864,709	9/1989	Klucz et al.	29/259
4,970,771	11/1990	Wood	29/263
5,226,208	7/1993	Gracey	29/265

OTHER PUBLICATIONS

Johnstone Supply Company catalog, Fall-Winter 1993, p. 131, Nos. H24-610, H24-801, and H25-230.
Johnstone Supply Company catalog, Fall-Winter 1993, p. 706, No. H24-948.

Primary Examiner—Prabhakar G. Deshmukh
Assistant Examiner—Philip Hyder
Attorney, Agent, or Firm—Richard C. Litman

[56] References Cited

U.S. PATENT DOCUMENTS

D. 255,768	7/1980	Immel et al.	D8/51
D. 336,599	6/1993	Rubino	D8/51
1,355,028	10/1920	Blessing et al. .	
1,654,009	12/1927	Merten	29/264
3,986,383	10/1976	Petteys	29/263
4,174,558	11/1979	Dombrowski	29/264
4,209,888	7/1980	Glasscock, Sr.	D8/51
4,236,290	12/1980	McPherson	29/239
4,259,774	4/1981	Dolinski et al.	29/263
4,305,193	12/1981	Anderson	29/213 R
4,682,395	7/1987	Klann	29/263

[57] CLAIM

The ornamental design for a mechanical fan blade puller, as shown and described.

DESCRIPTION

FIG. 1 is a perspective view of a mechanical fan blade puller showing my new design;
FIG. 2 is a front elevational view thereof, wherein views taken at 120 degrees and 240 degrees are identical;
FIG. 3 is a top view thereof; and,
FIG. 4 is a bottom view thereof.

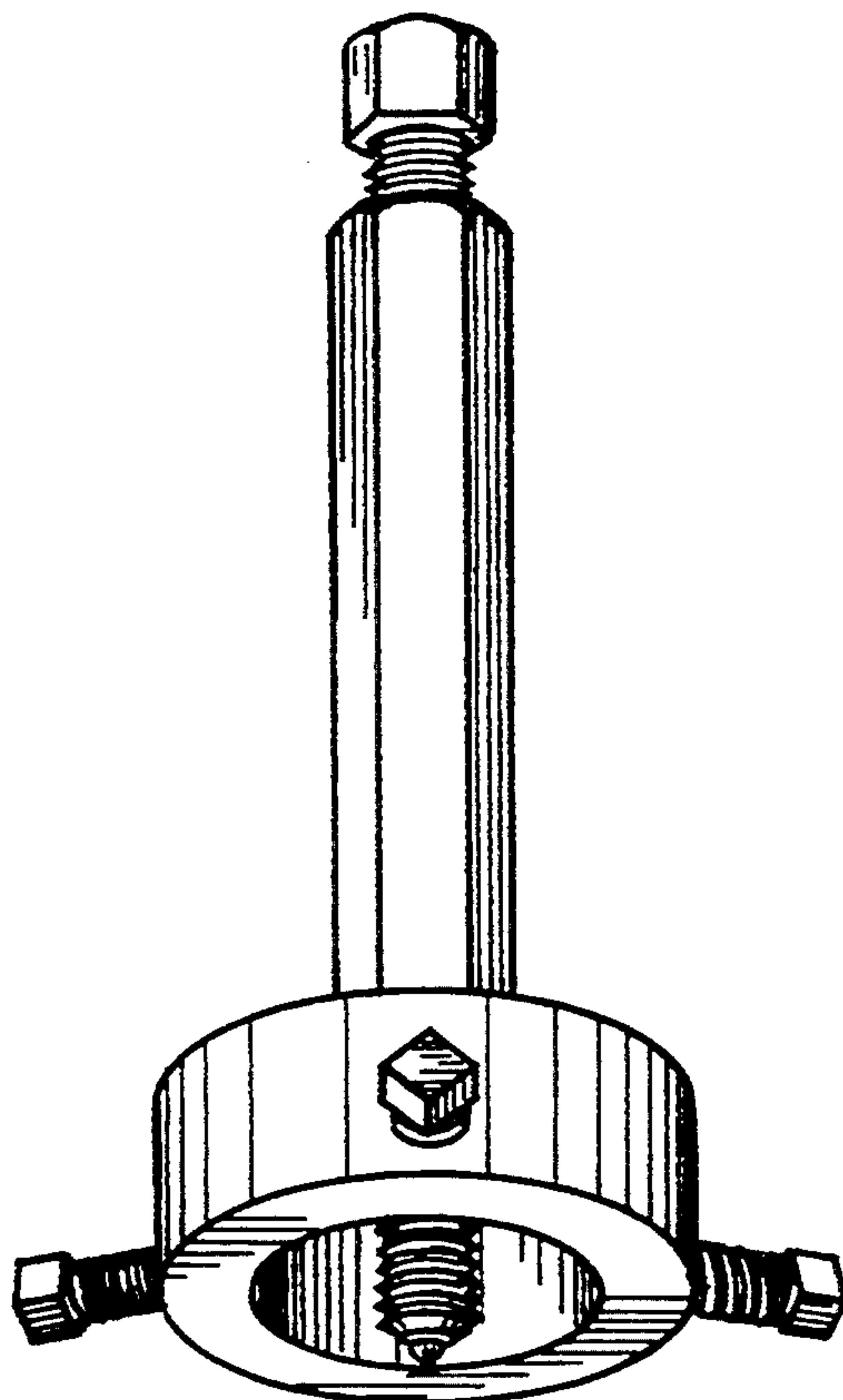


FIG. 1

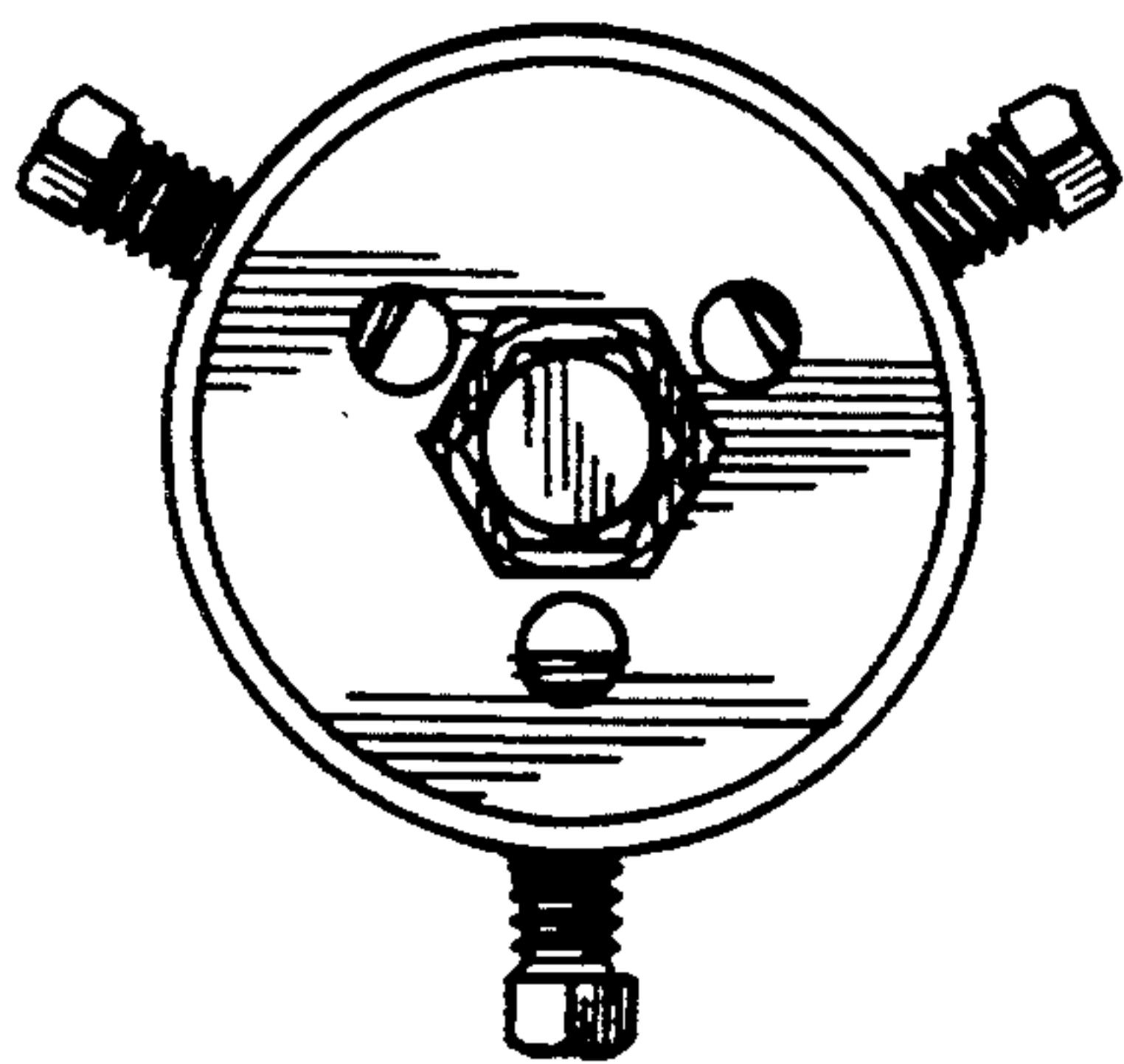
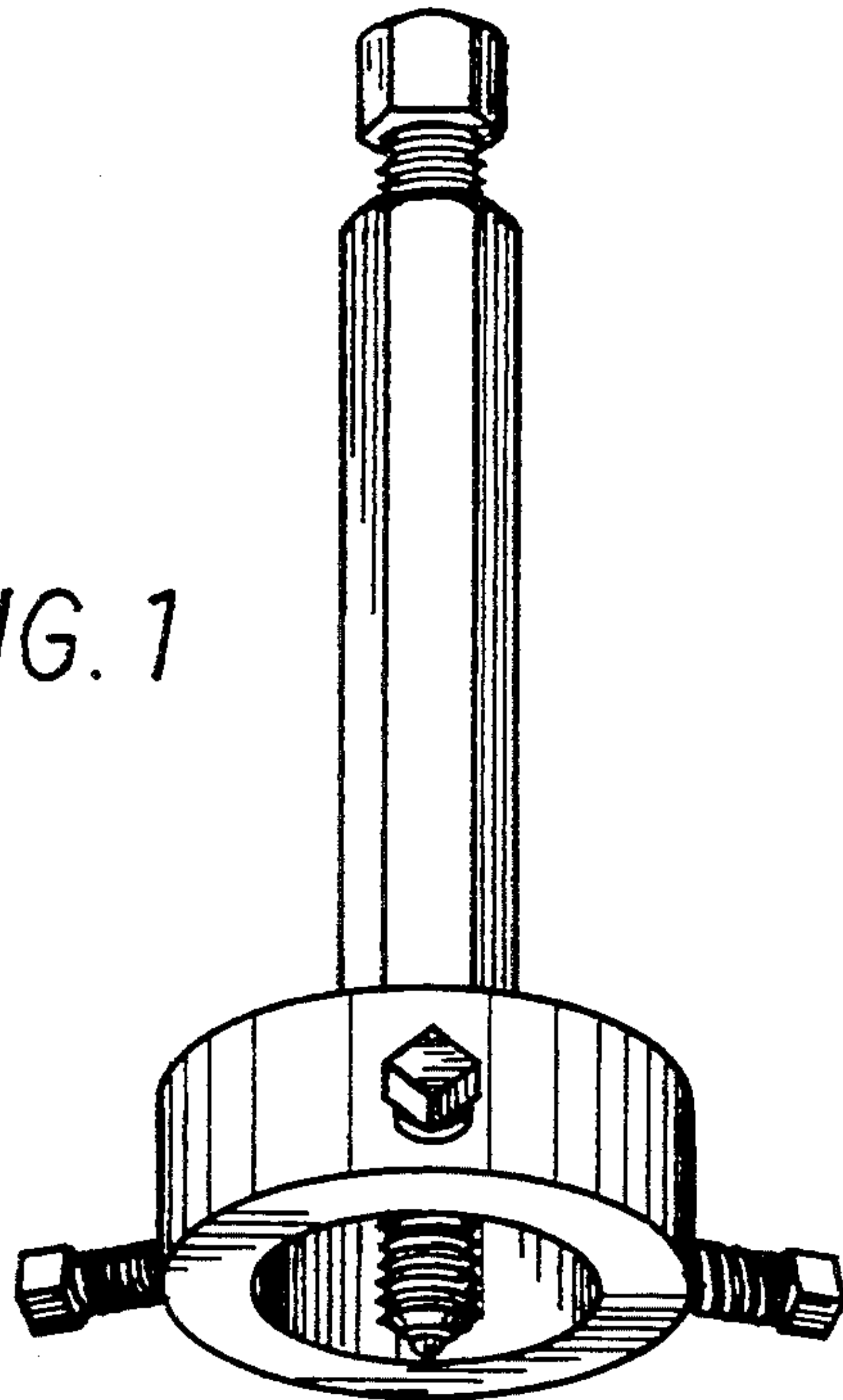


FIG. 3

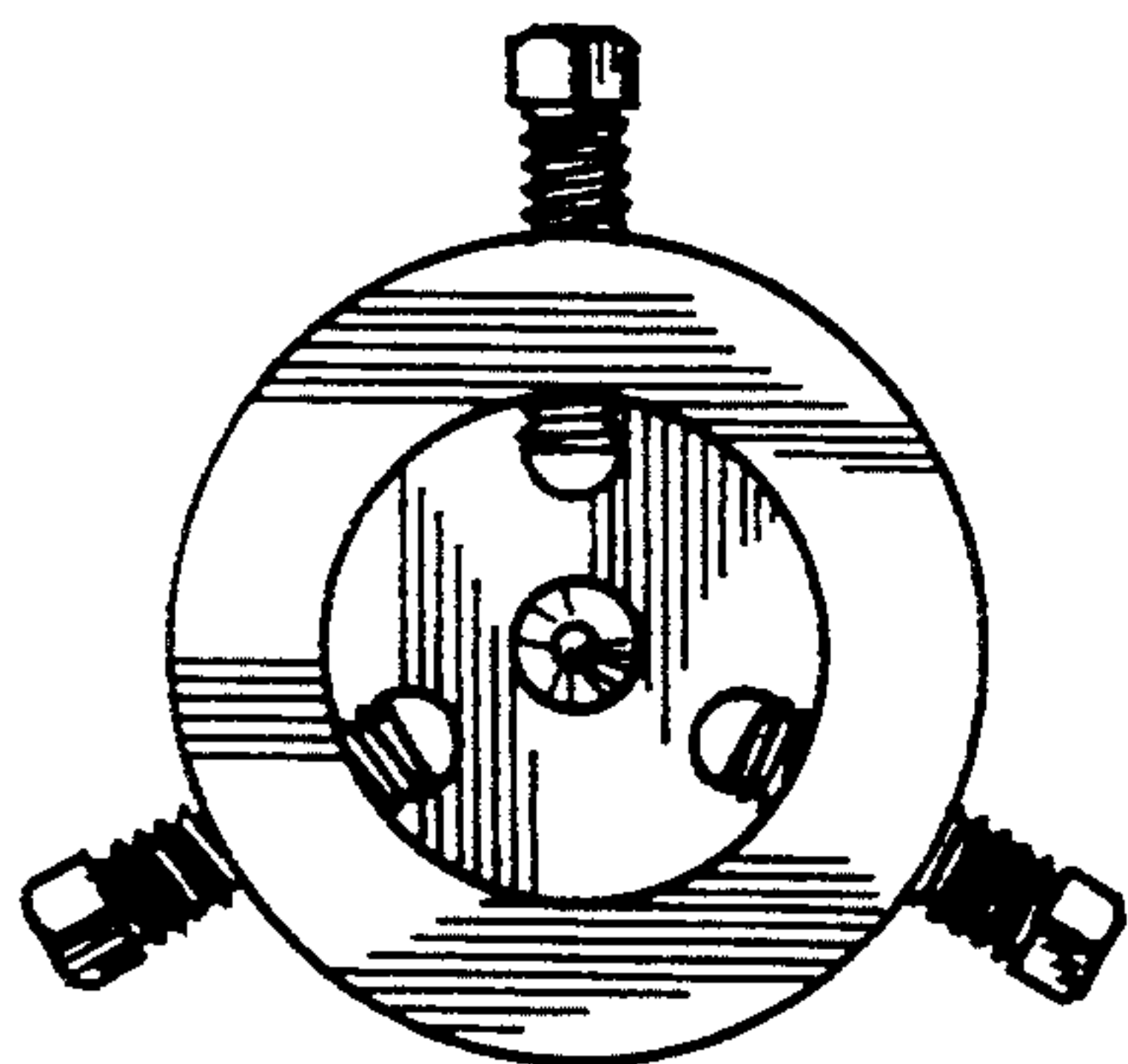


FIG. 4

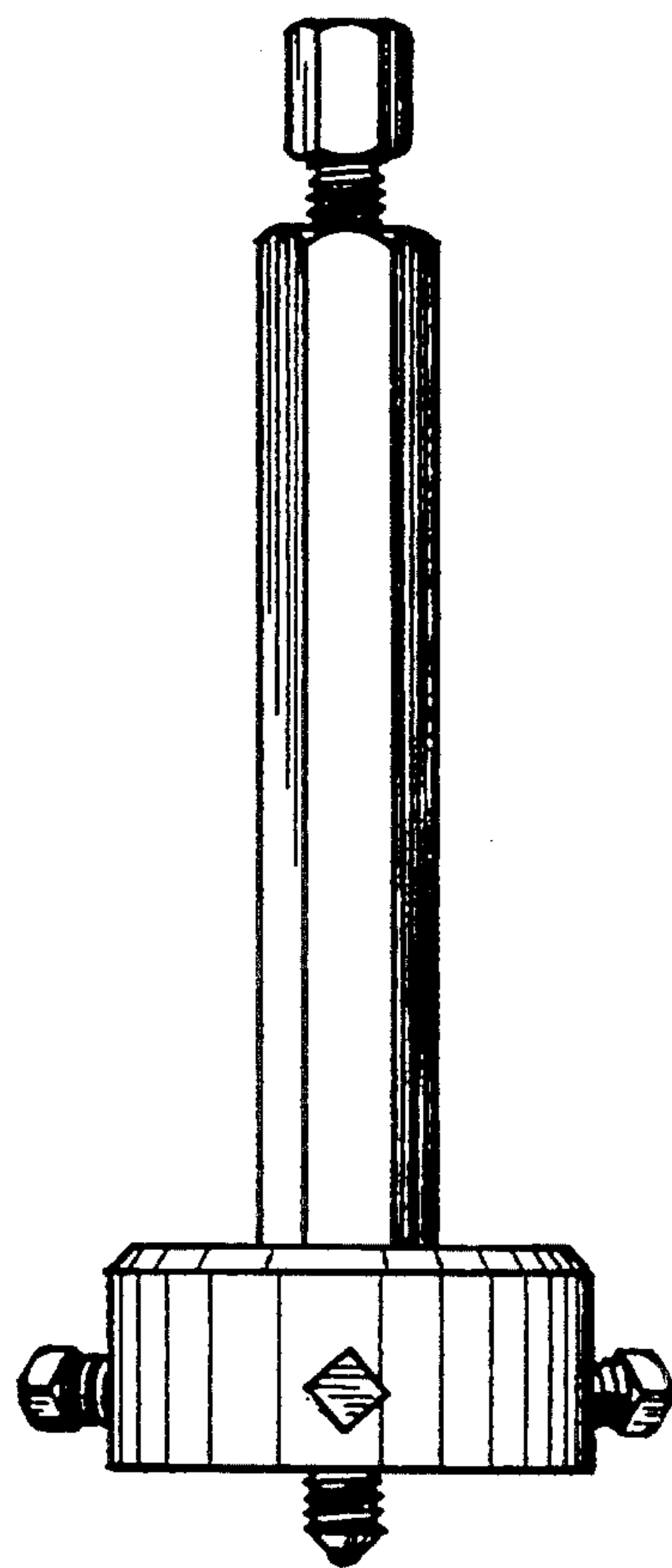


FIG. 2