



US00D358073S

United States Patent [19]

[11] Patent Number: **Des. 358,073**

Eckert

[45] Date of Patent: **** May 9, 1995**

[54] **COOKING GRILL LIFTING TOOL**

[76] Inventor: **David C. Eckert**, 1346 S. Warner Rd.,
Apache Junction, Ariz. 85220

[**] Term: **14 Years**

[21] Appl. No.: **18,815**

[22] Filed: **Feb. 16, 1994**

[52] U.S. Cl. **D7/690; D8/14**

[58] Field of Search **D7/690; D8/14; 294/1.1,**
294/9, 12

D. 282,898 3/1986 Furlan D7/690
1,505,258 8/1924 Hagen 294/32 X
1,604,050 10/1926 Jennings D7/690 X

Primary Examiner—Terry A. Wallace
Attorney, Agent, or Firm—H. Jay Spiegel

[57] **CLAIM**

The ornamental design for a cooking grill lifting tool, as shown and described.

DESCRIPTION

FIG. 1 is a perspective view of a cooking grill lifting tool showing my new design;
FIG. 2 is a right side elevation view thereof;
FIG. 3 is a left side elevation view thereof;
FIG. 4 is a top plan view thereof; and,
FIG. 5 is a bottom plan view thereof.

[56] **References Cited**

U.S. PATENT DOCUMENTS

D. 218,189 7/1970 Demetreon D7/690
D. 227,029 5/1973 Demetreon D7/690

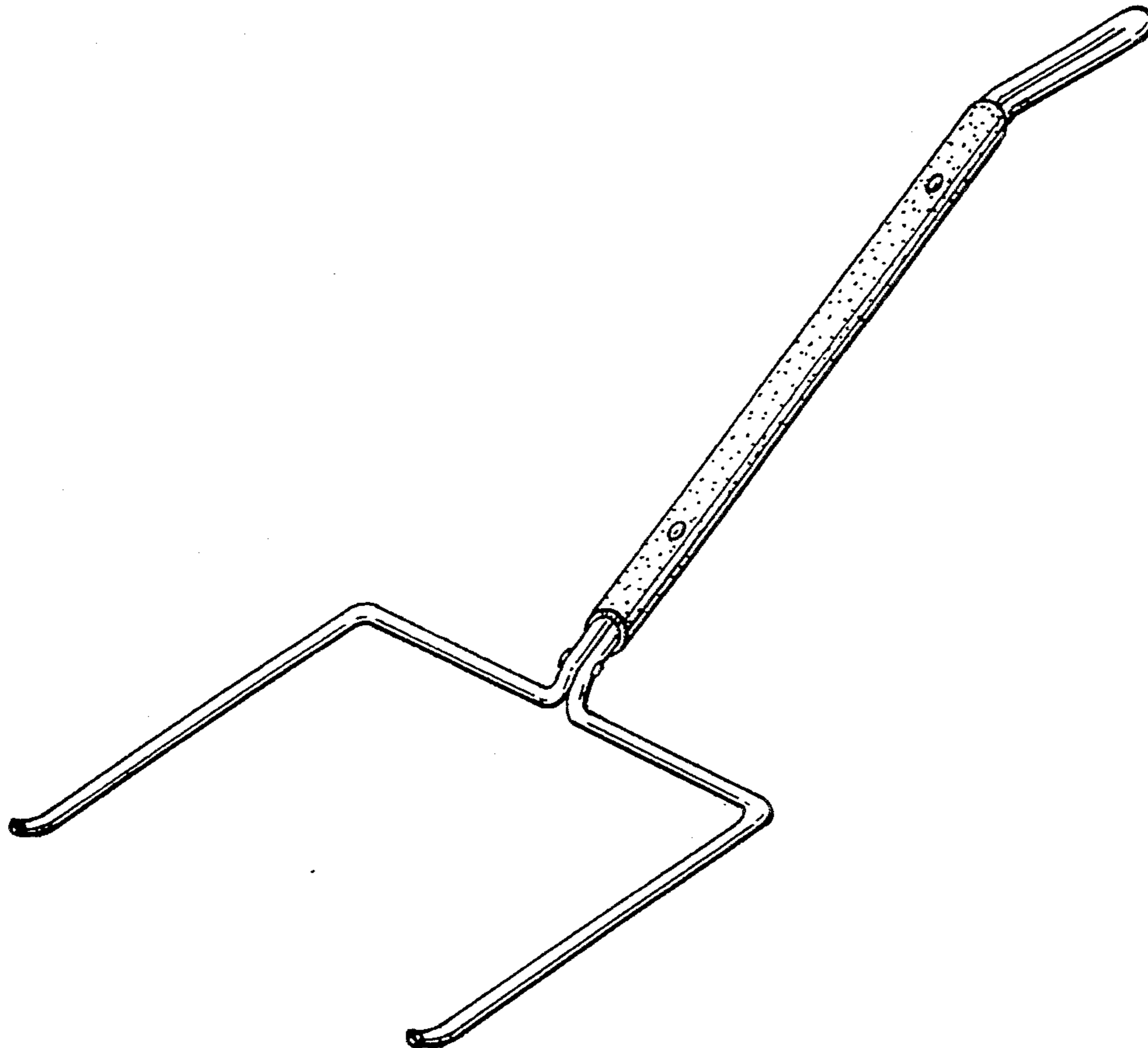


FIG. 1

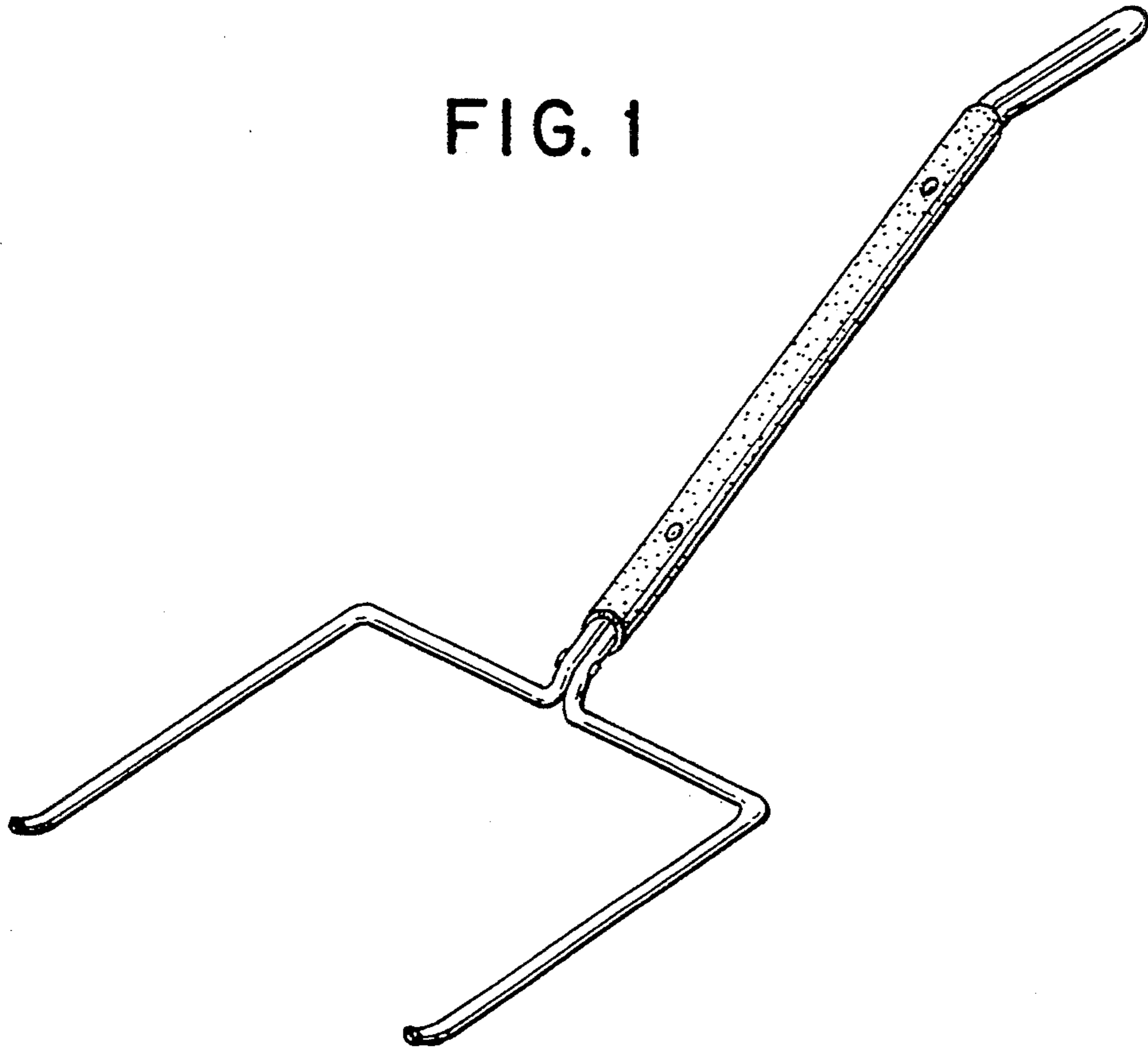


FIG. 2

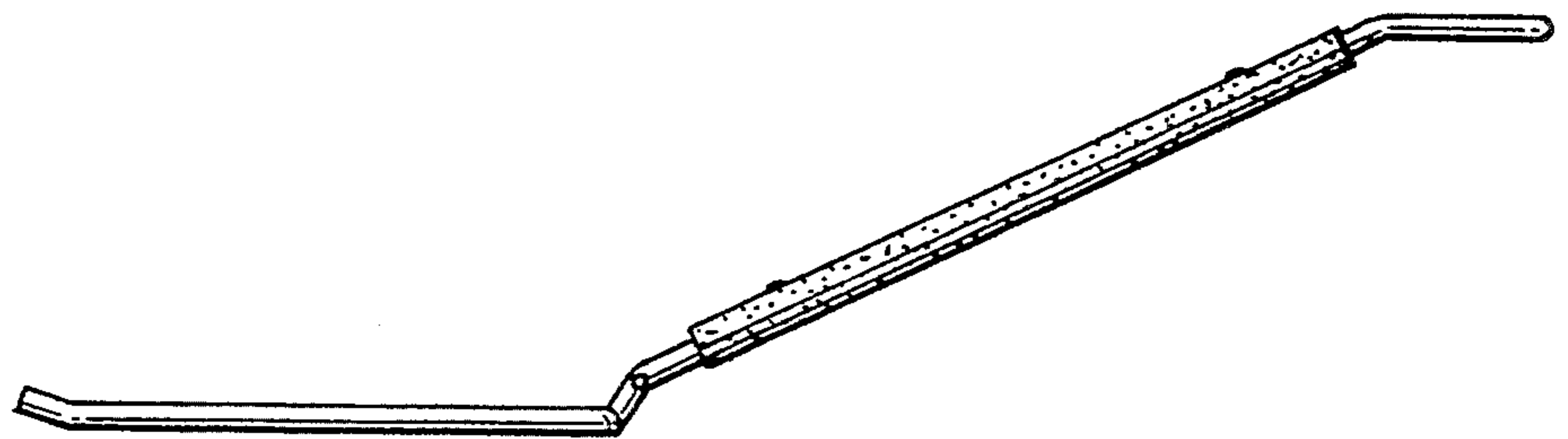
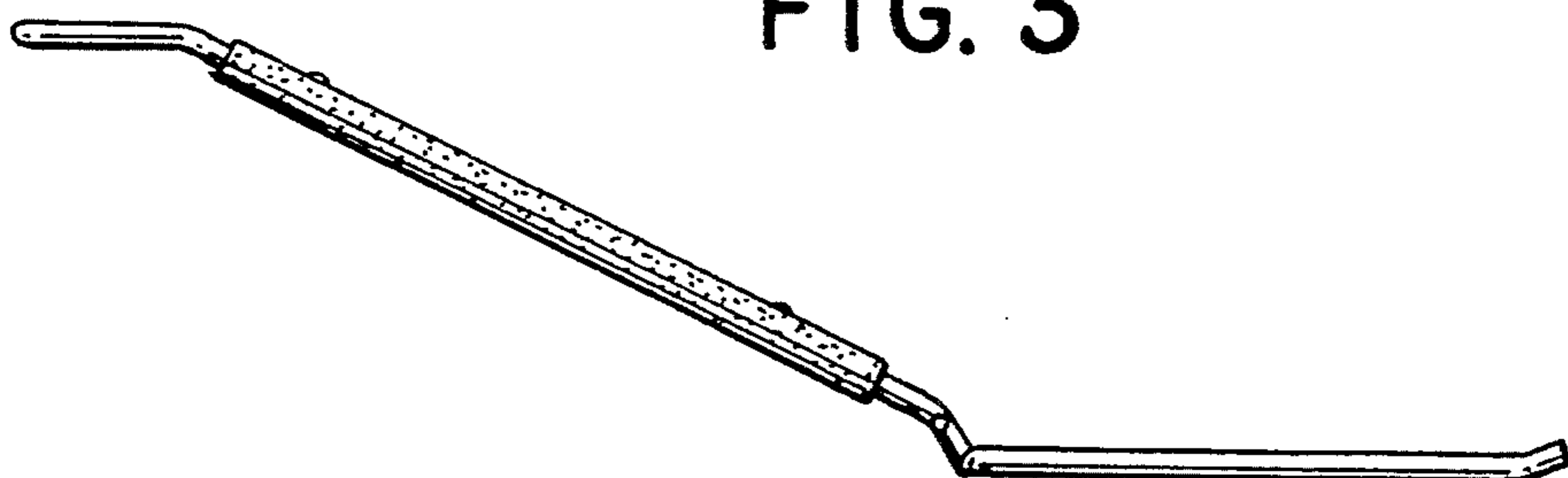


FIG. 3



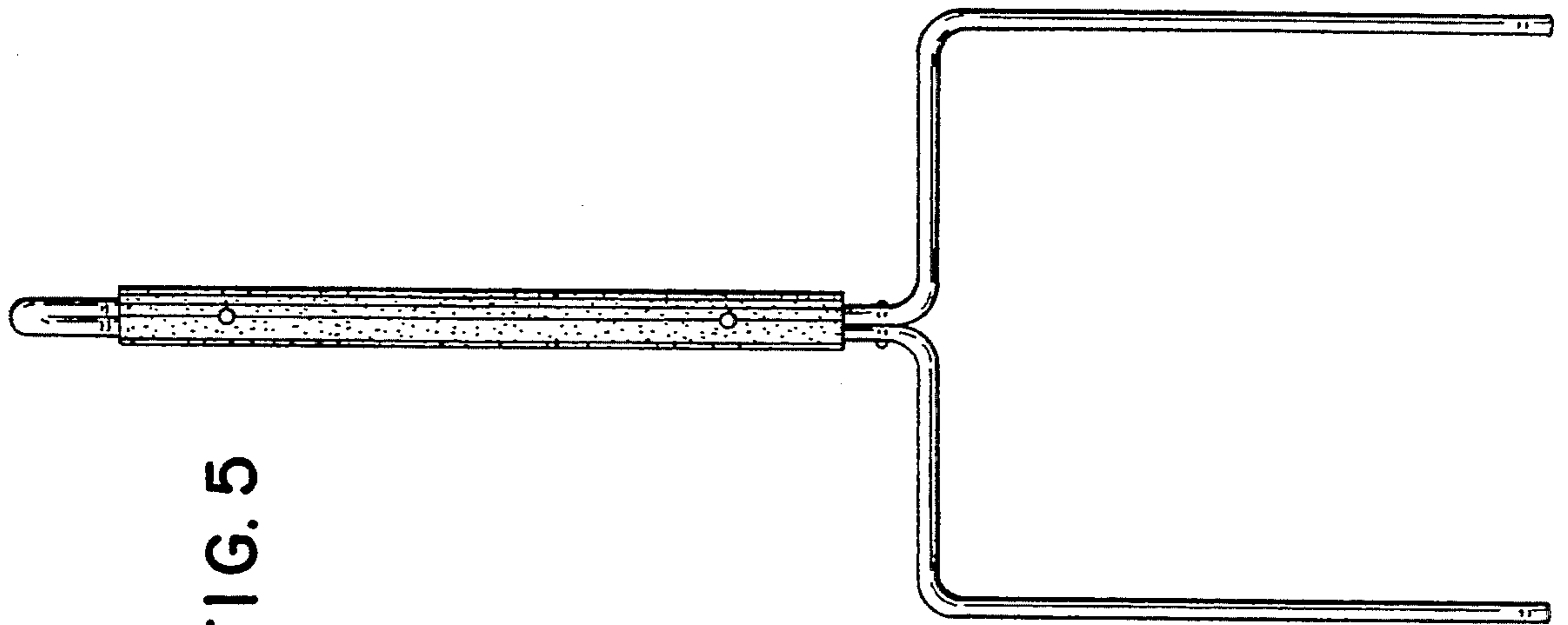


FIG. 5

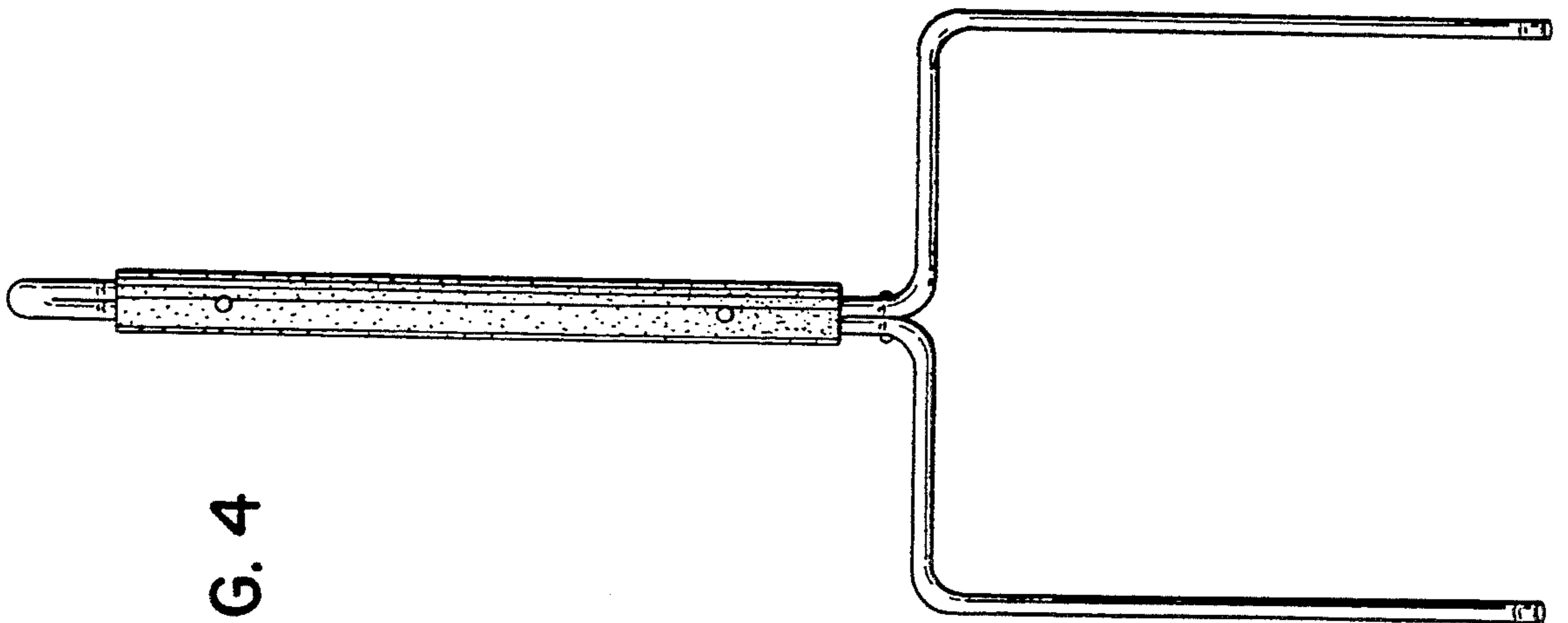


FIG. 4