



US00D358071S

United States Patent [19]
Gill

[11] **Patent Number: Des. 358,071**

[45] **Date of Patent: ** May 9, 1995**

[54] **ELECTRICALLY HEATED BEVERAGE CONTAINER**

4,746,028 5/1988 Bagg D7/608 X
4,801,782 1/1989 Ineson 219/438

[76] **Inventor: Linda L. Gill, 15067 Warwick St., Detroit, Mich. 48223**

Primary Examiner—Terry A. Wallace
Assistant Examiner—Nanda Bondade
Attorney, Agent, or Firm—Terry M. Gernstein

[**] **Term: 14 Years**

[21] **Appl. No.: 14,900**

[57] **CLAIM**

[22] **Filed: Nov. 4, 1993**

The ornamental design for an electrically heated beverage container, as shown and described.

[52] **U.S. Cl. D7/605**

[58] **Field of Search D7/509, 533-536, D7/605-608; 62/372, 457.1, 457.3, 457.5; 219/429-436, 438, 521; 220/737-740**

DESCRIPTION

FIG. 1 is a front, top and side exploded perspective view of the electrically heated beverage container showing my new design;

FIG. 2 is a front elevational view thereof, the rear being a mirror image of the front shown in FIG. 2 with the exception of the rectangle shown in FIG. 2 is not seen on the opposite side and the tab on the top will be visible on the opposite side;

FIG. 3 is a side elevational view thereof;

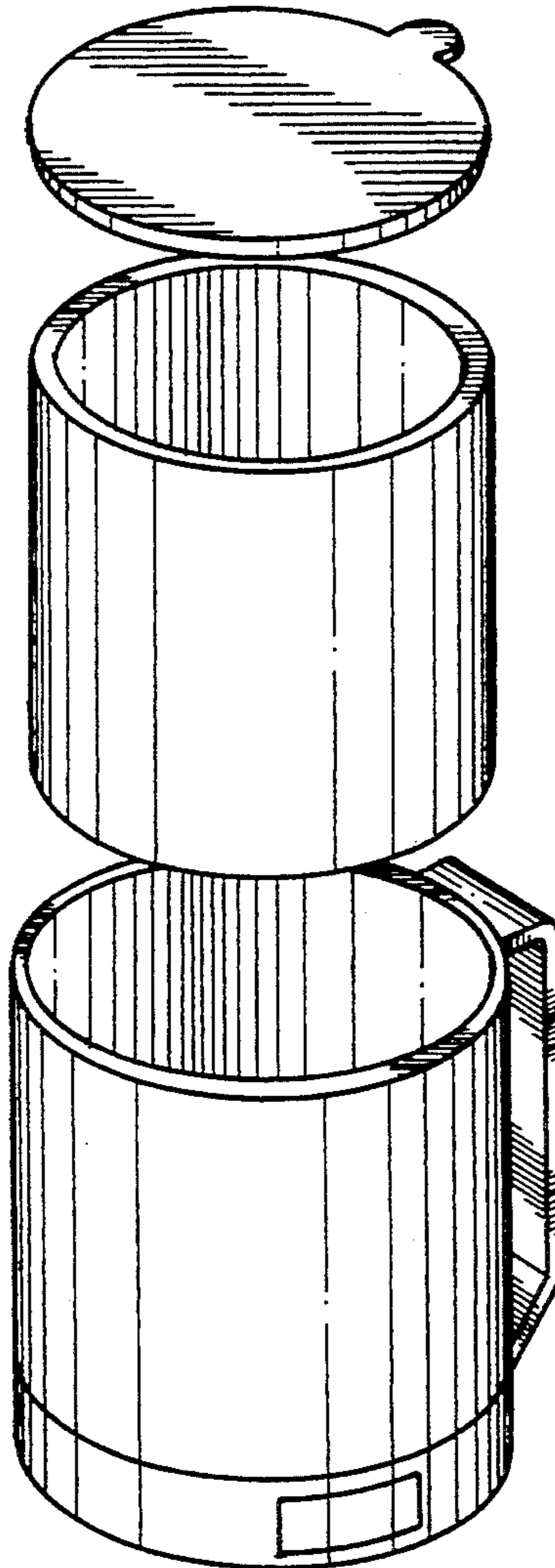
FIG. 4 is a top plan view thereof; and,

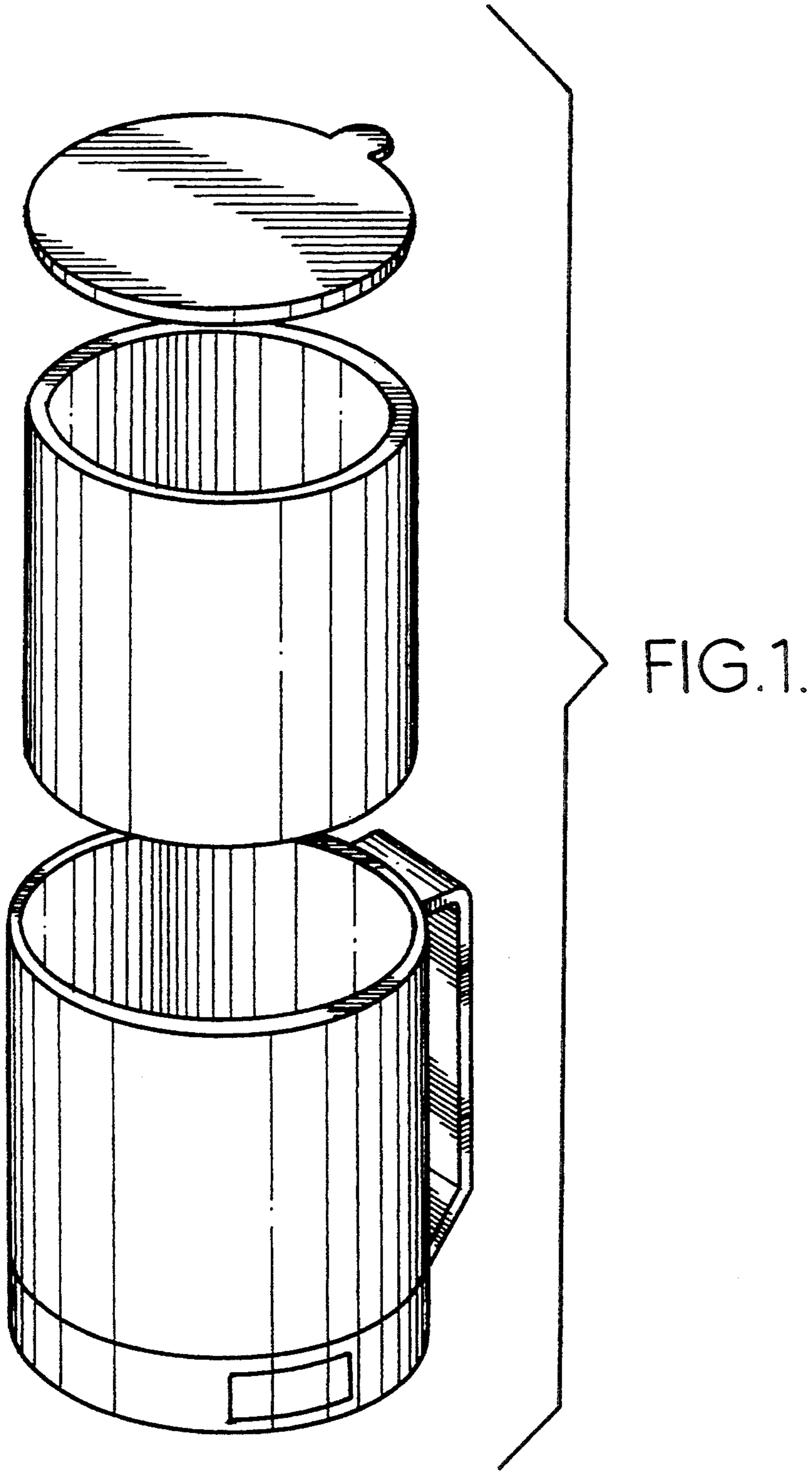
FIG. 5 is a bottom plan view thereof.

[56] **References Cited**

U.S. PATENT DOCUMENTS

D. 239,248	3/1976	Pinguely	D7/621 X
D. 334,869	4/1993	Mills	D7/605
3,890,484	6/1975	Kamins	139/425 A
4,040,549	8/1977	Sadler	220/737 X
4,160,152	7/1979	Wightman	219/435
4,305,533	12/1981	Wightman	219/432





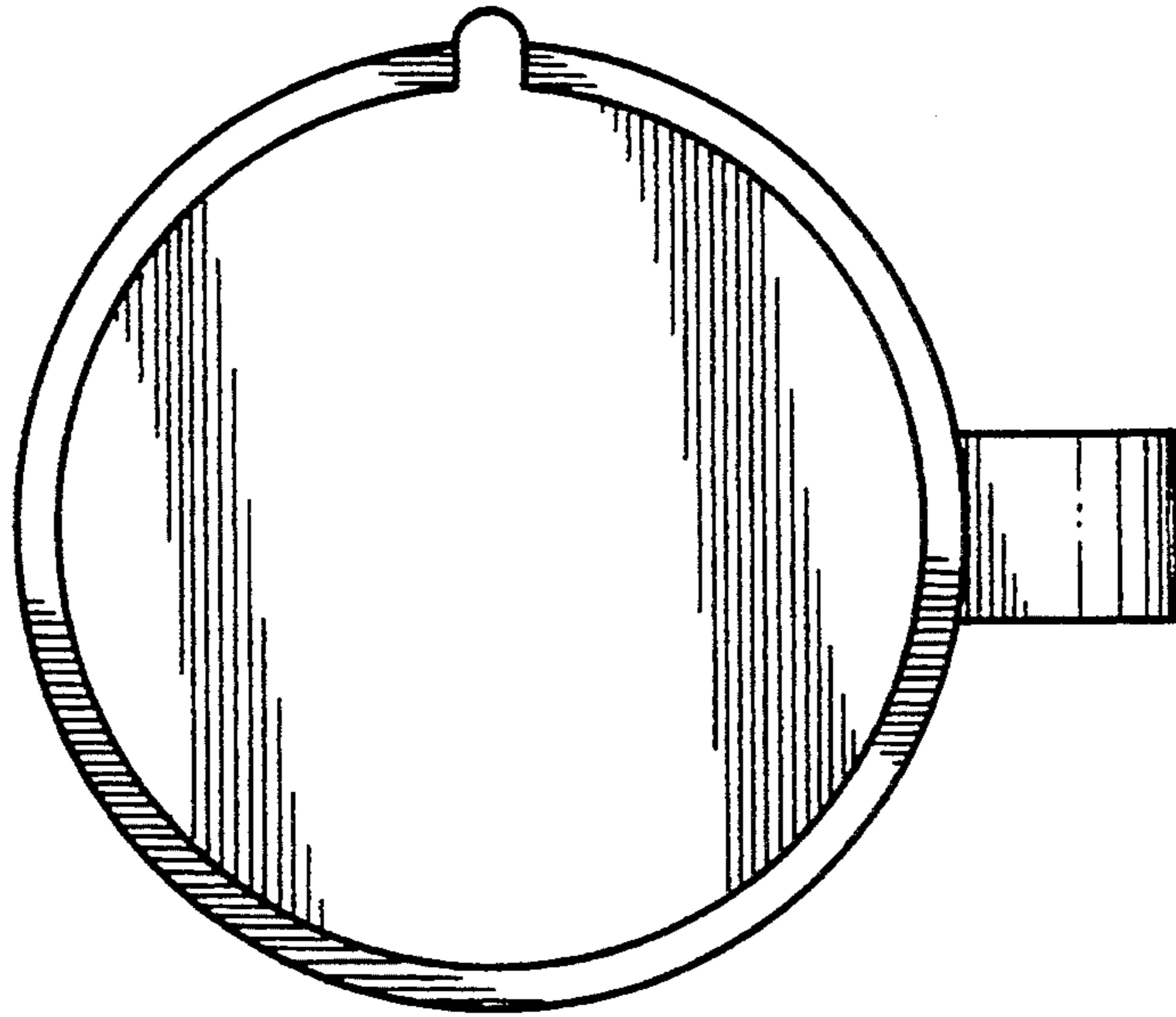


FIG. 4.

FIG. 2.

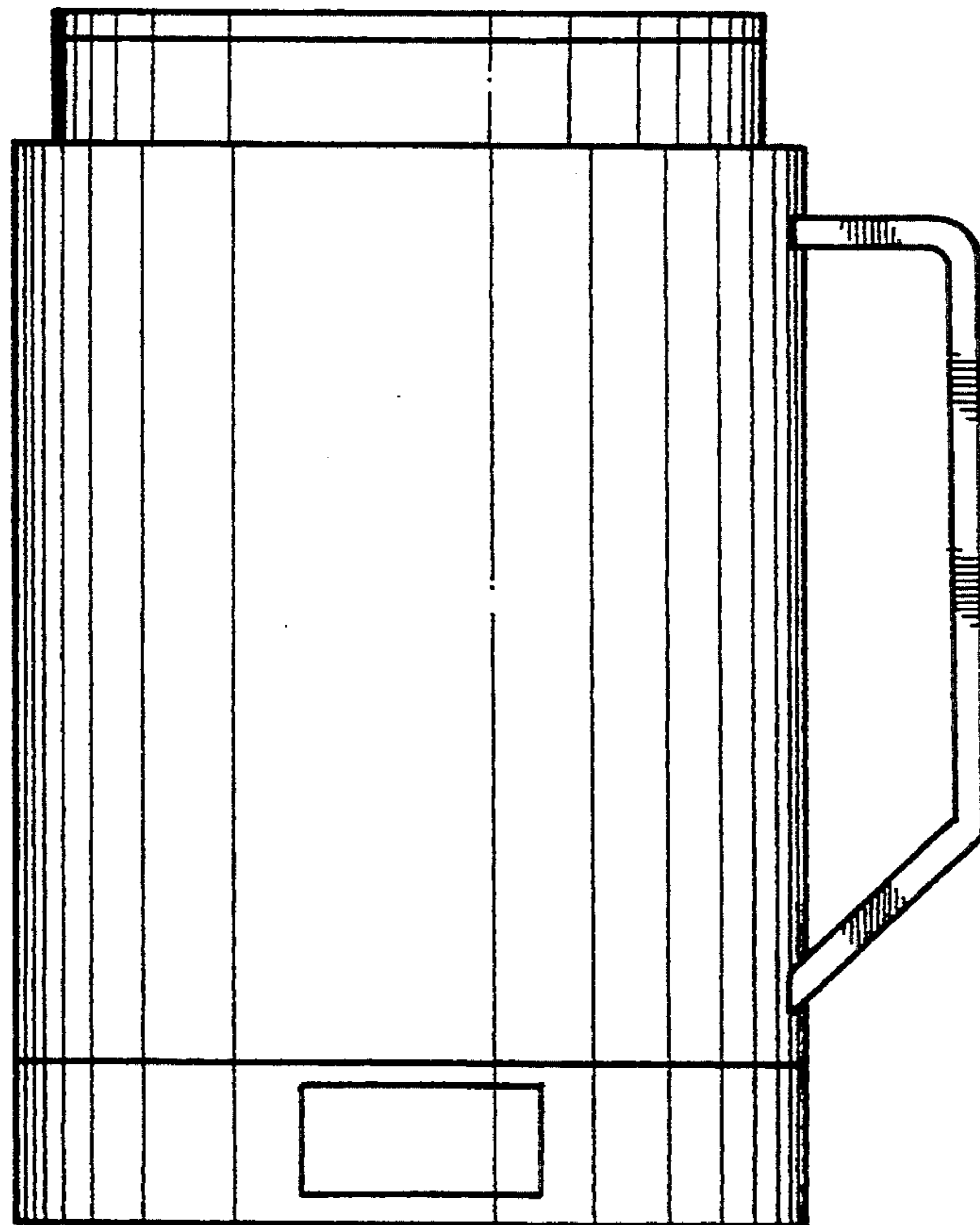


FIG. 5.

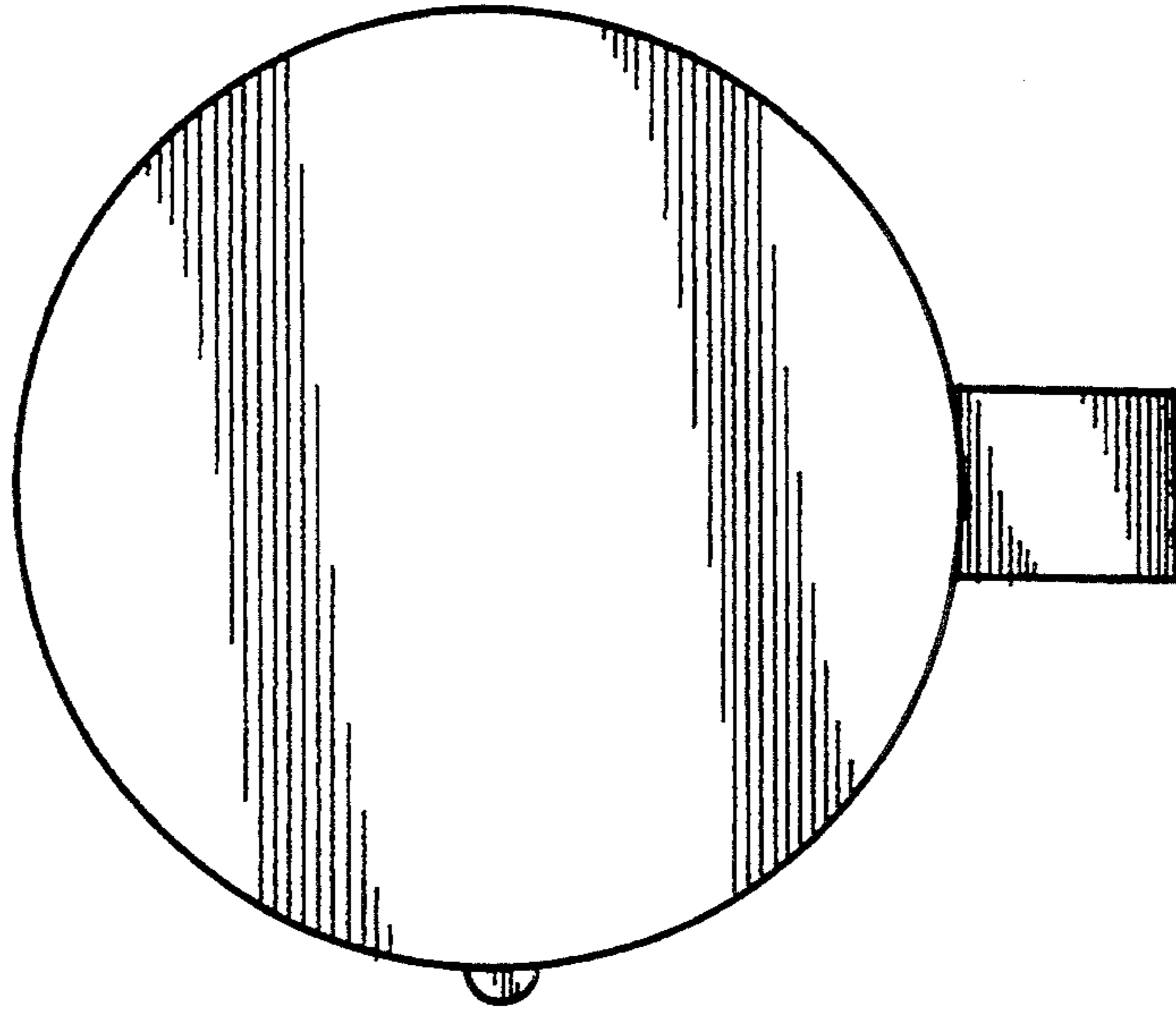


FIG. 3.

