



US00D358070S

United States Patent [19]

[11] Patent Number: **Des. 358,070**

Sharpe

[45] Date of Patent: **** May 9, 1995**

[54] **SELF-STANDING TOOTHBRUSH AND TUMBLER HOLDER**

[75] Inventor: **Norton Sharpe, Los Angeles, Calif.**

[73] Assignee: **Franklin Brass Manufacturing Company, Los Angeles, Calif.**

[**] Term: **14 Years**

[21] Appl. No.: **12,082**

[22] Filed: **Aug. 23, 1993**

[52] U.S. Cl. **D6/531**

[58] Field of Search **D6/536-540, D6/529, 532, 528, 531; 211/13, 86-88, 134; 248/309.1, 311.2, 360**

[56] **References Cited**

U.S. PATENT DOCUMENTS

- D. 209,444 12/1967 Dearling D6/536
- D. 226,350 2/1973 Shames D6/531
- D. 291,519 8/1987 Chap D6/531
- D. 296,175 6/1988 Fayerman .
- D. 296,637 7/1988 Fayerman .
- D. 299,095 12/1988 Gresens et al. D6/540 X
- D. 299,096 12/1988 Fayerman .
- D. 299,097 12/1988 Fayerman .
- D. 299,098 12/1988 Fayerman .
- D. 303,333 9/1989 Fayerman .
- D. 337,681 7/1993 Sharpe D6/531

OTHER PUBLICATIONS

Catalogue of Baldwin Hardware Corporation, Publication date believed to be Jan., 1992, Pages entitled "Lexington", Georgetown, and Chesapeake.

Catalogue entitled "Baltic" by Farnet, Believed published prior to Jul. 1992.

Catalogue entitled "Chantal" by Farnet, Believed published prior to Jul. 1992.

Catalogue entitled "Harrington Traditional," believed published prior to Jul., 1992.

Catalogue entitled "Displays" by Ginger, Believed published prior to Jul., 1992.

Lenape Brochure Classic Toothbrush/Tumbler Holder 0542.

Christensen Hardware brochure, Maxwell Collection Soap Dish.

Primary Examiner—Brian N. Vinson

Attorney, Agent, or Firm—Spensley Horn Jubas & Lubitz

[57] **CLAIM**

The ornamental design for a self-standing toothbrush and tumbler holder, as shown and described.

DESCRIPTION

FIG. 1 is a perspective view of a self-standing toothbrush and tumbler holder incorporating my new design; FIG. 2 is a right side elevational view of a self-standing toothbrush and tumbler holder of FIG. 1; FIG. 3 is a front elevational view of a self-standing toothbrush and tumbler holder of FIG. 1; FIG. 4 is a top plan view of a self-standing toothbrush and tumbler holder of FIG. 1; FIG. 5 is a bottom plan view of a self-standing toothbrush and tumbler holder of FIG. 1; and, FIG. 6 is a cross-sectional view taken along the line 6-6 of FIG. 4.

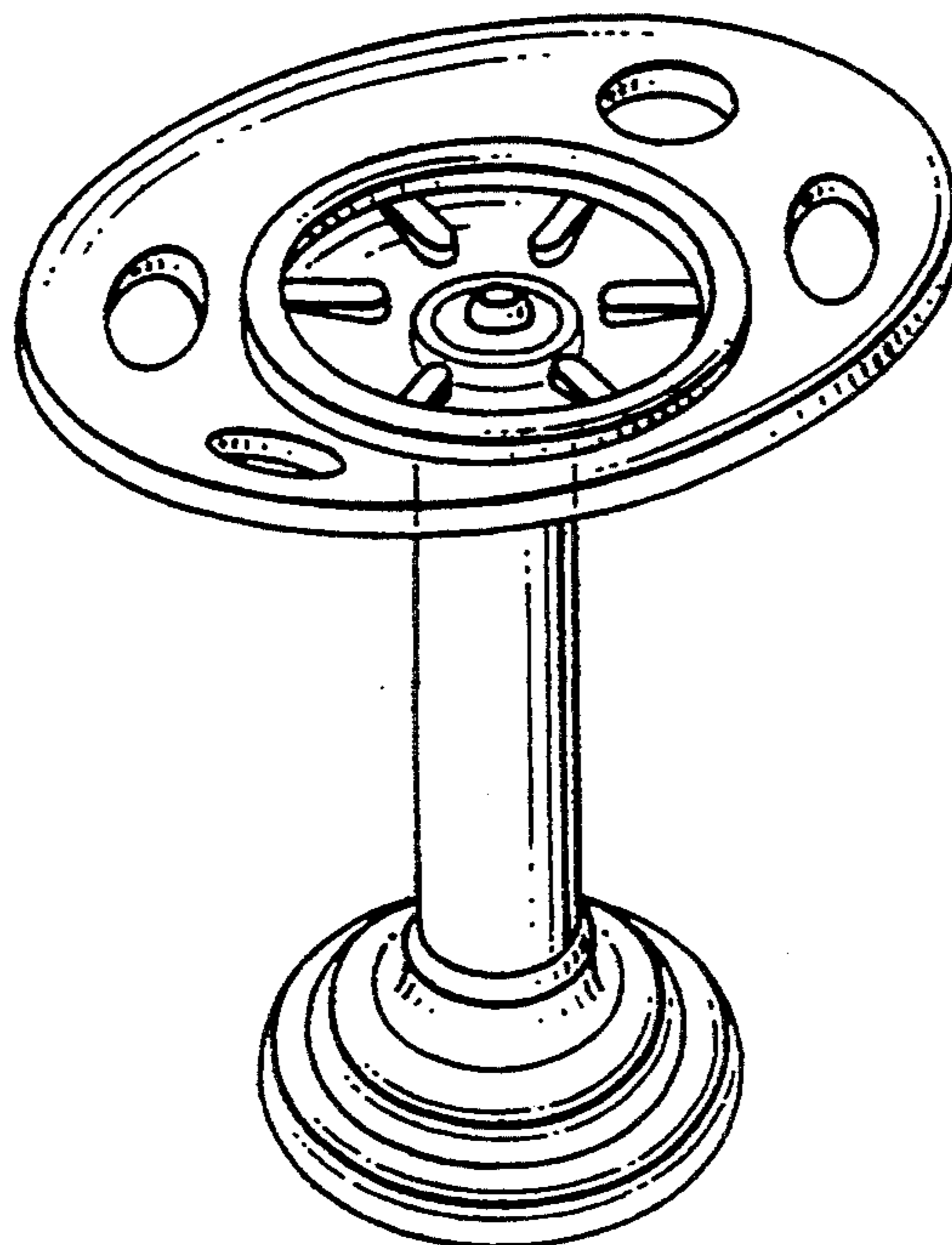


FIG. 1

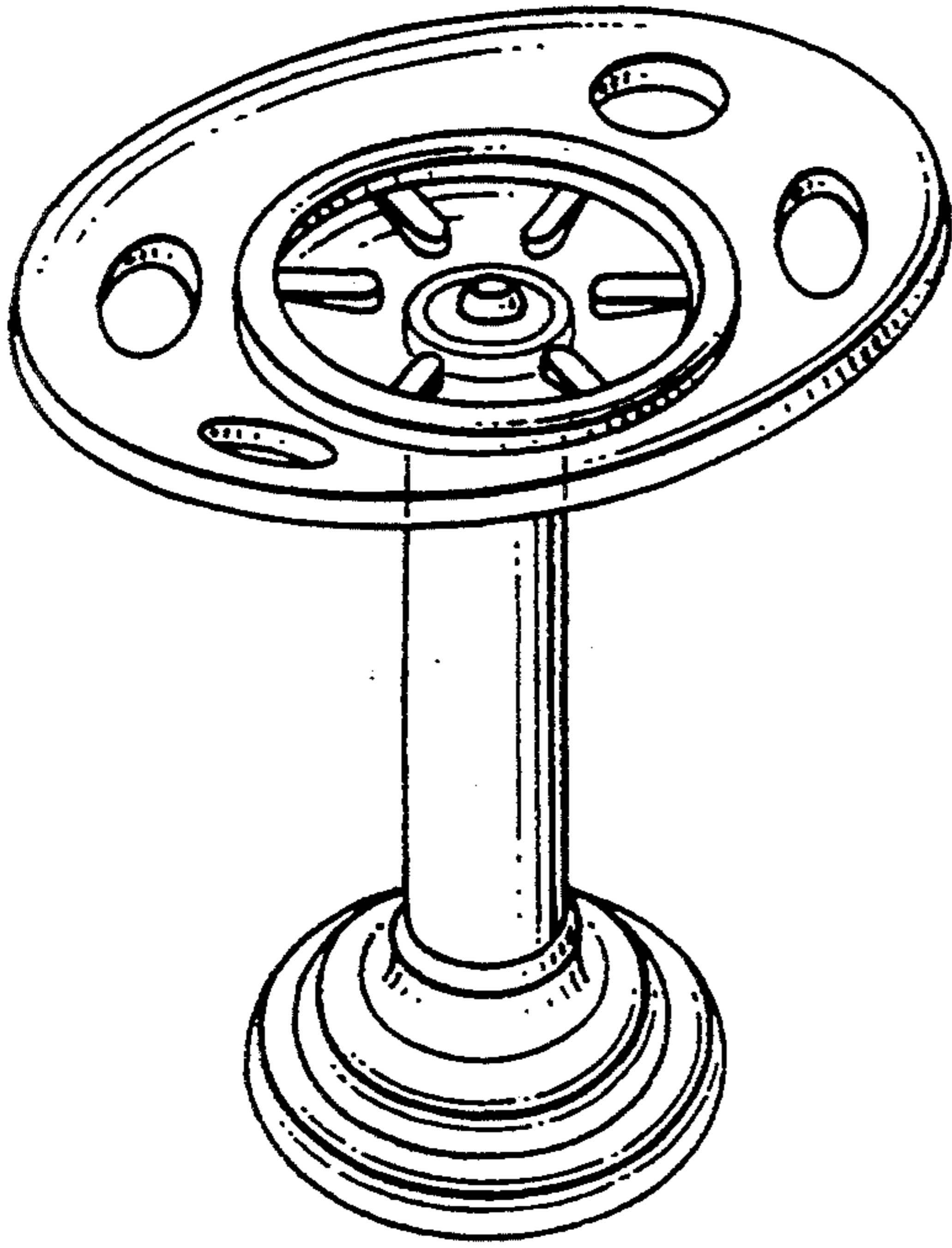


FIG. 2

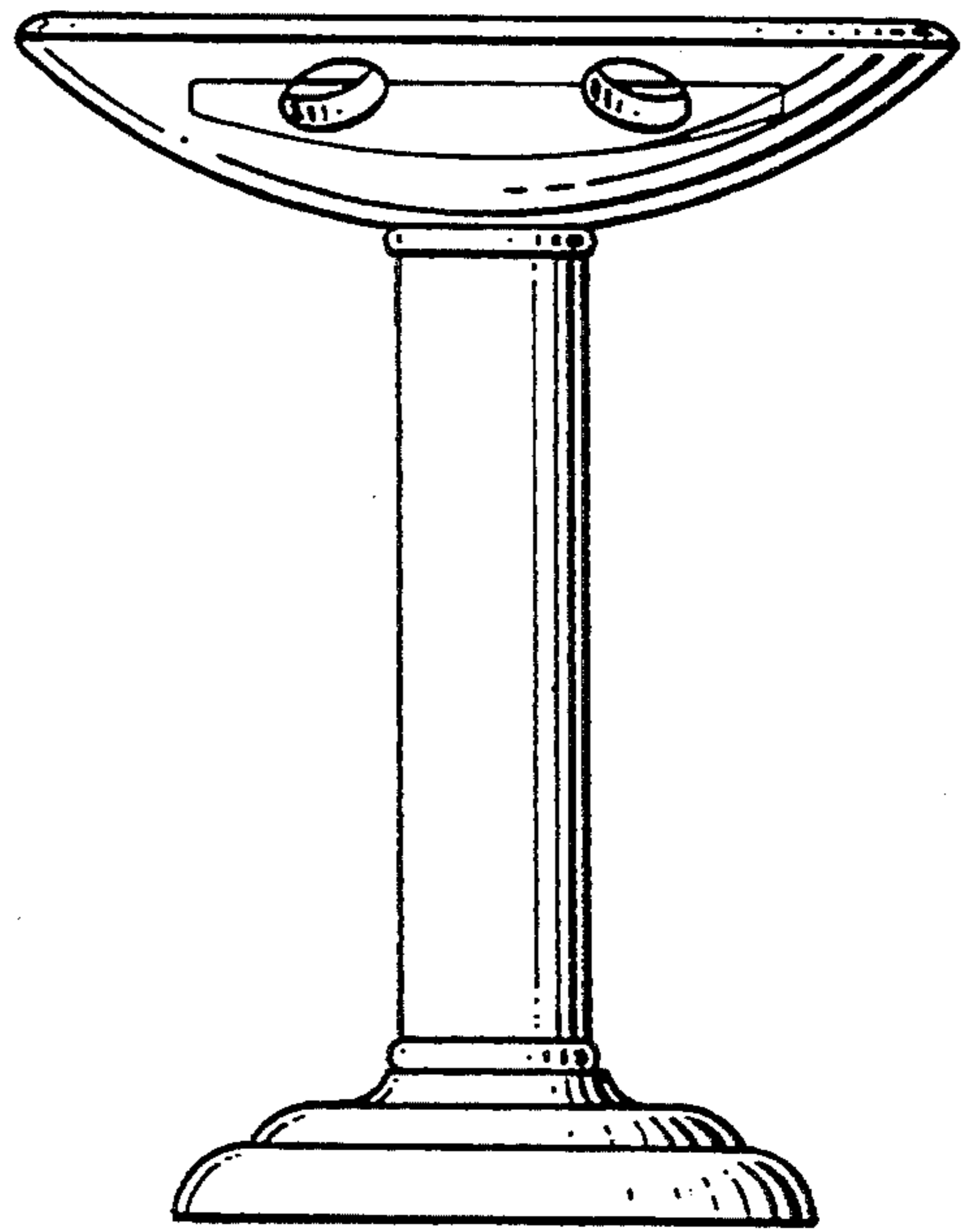


FIG. 3

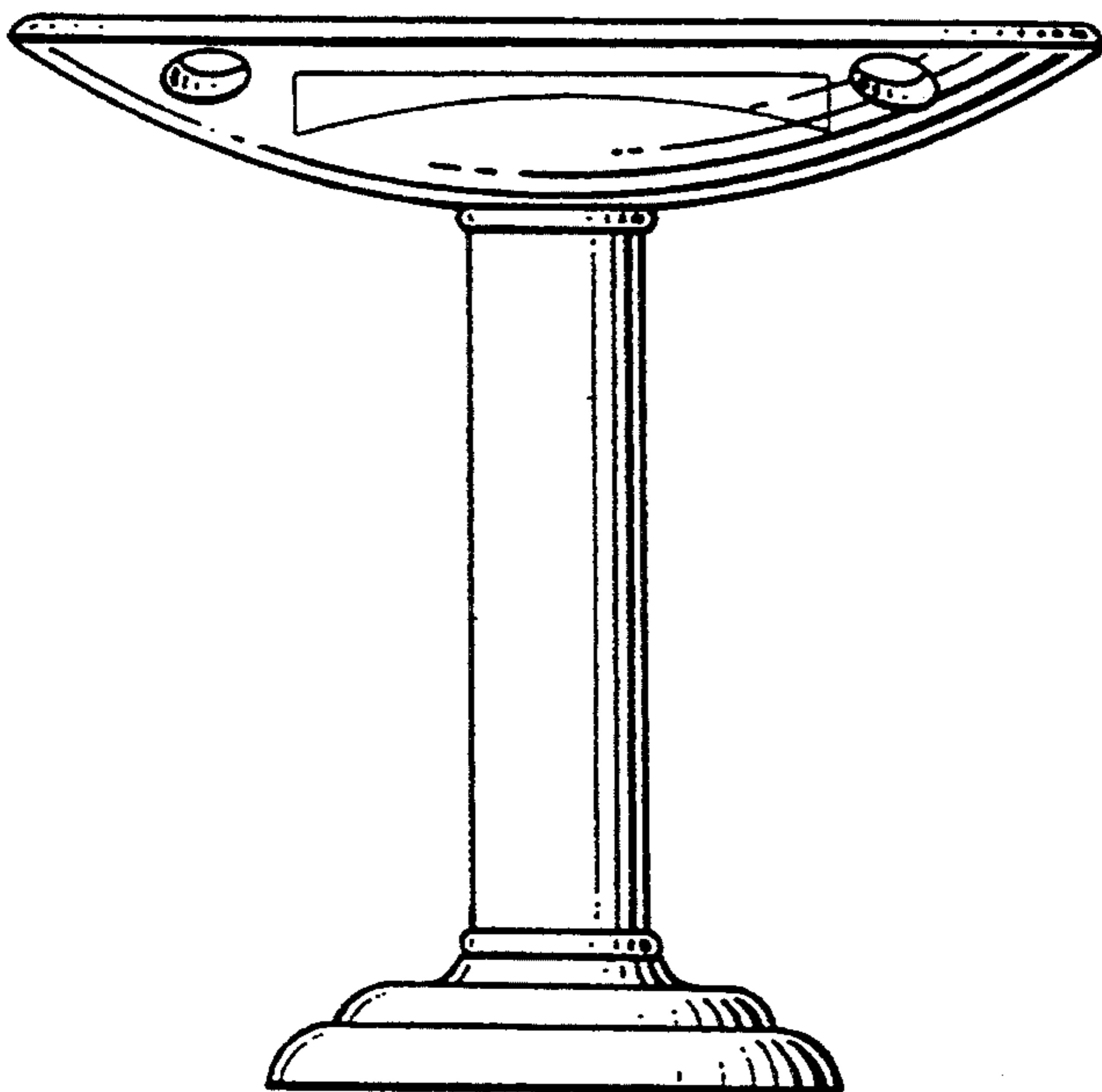


FIG. 4

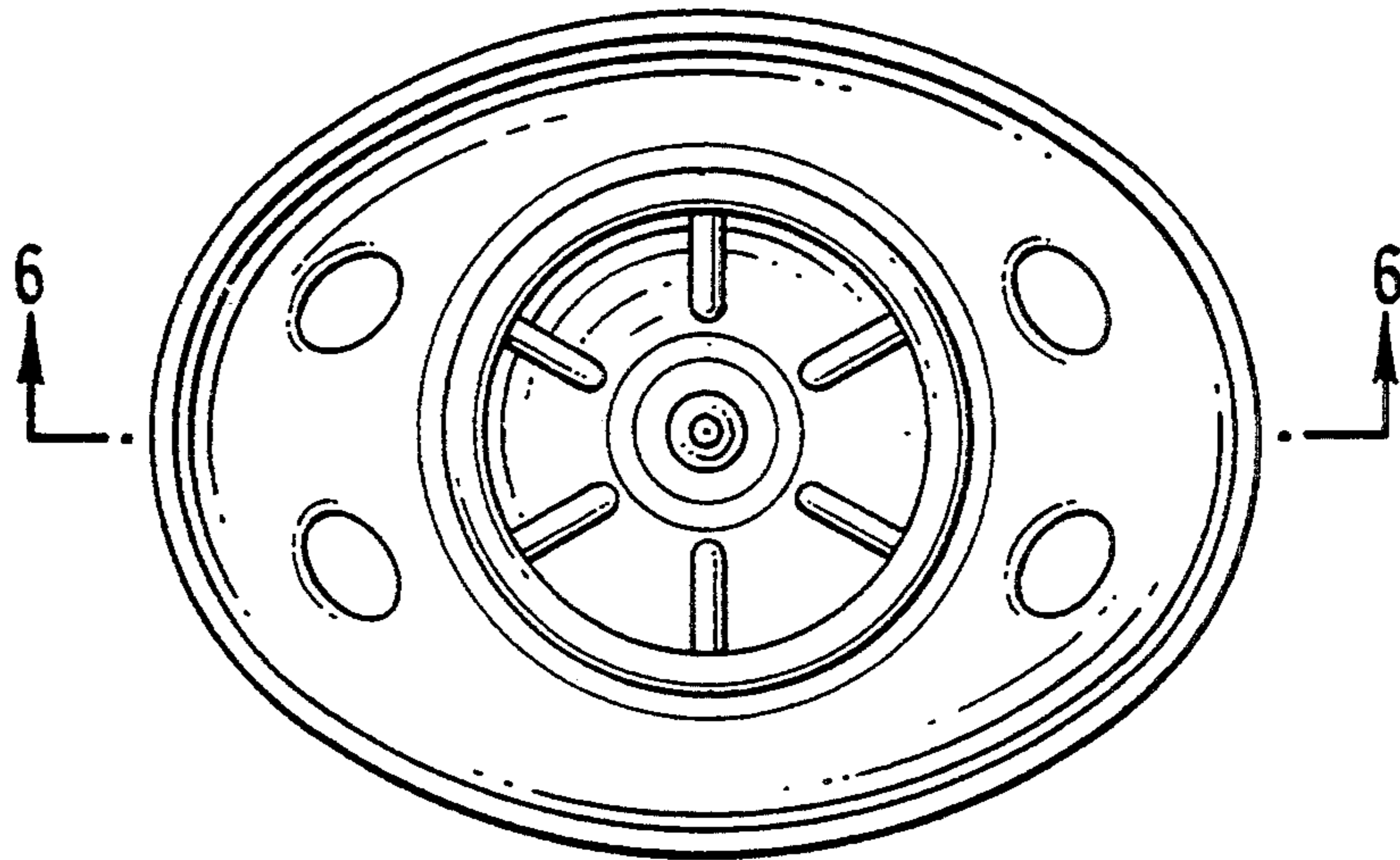


FIG. 5

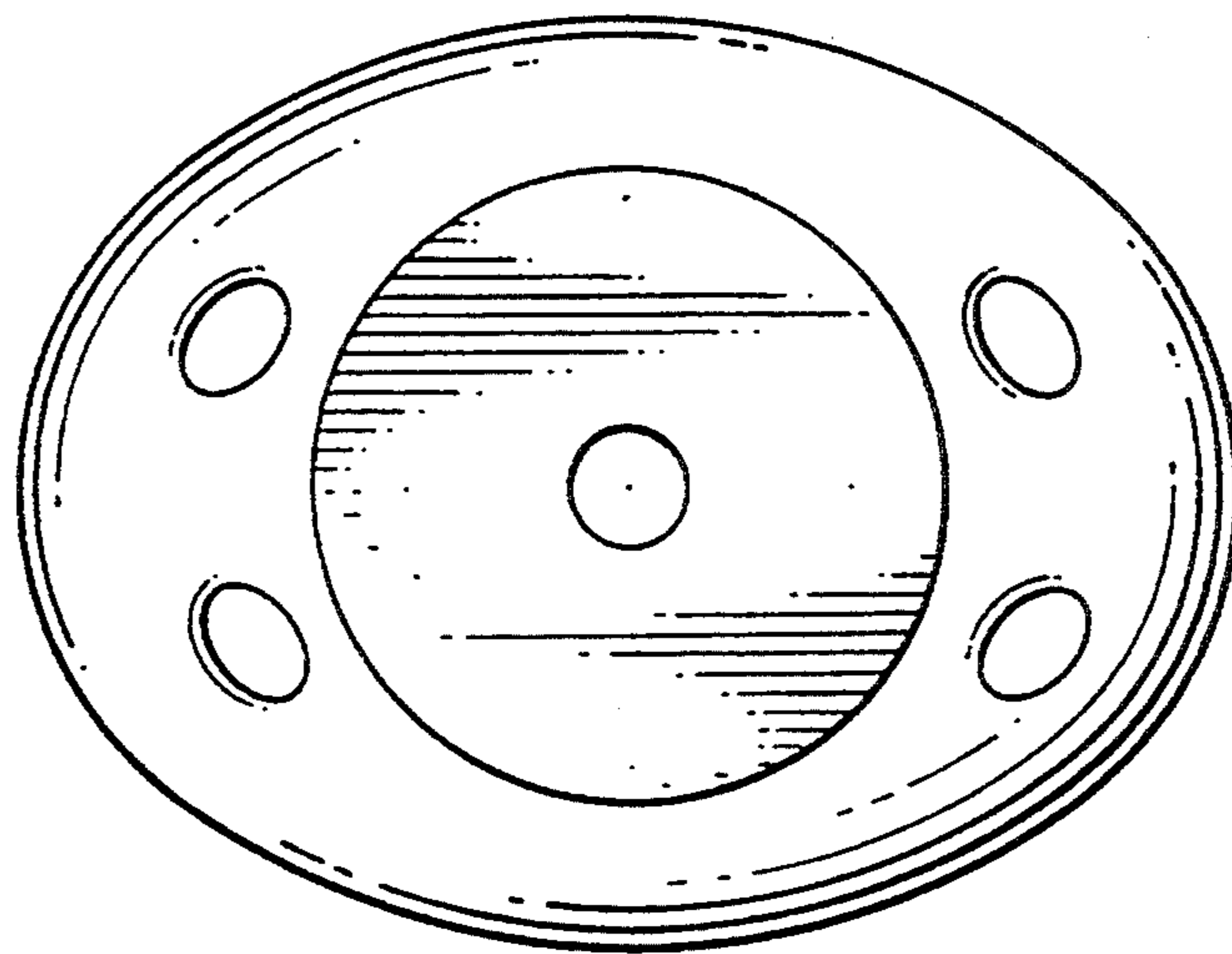


FIG. 6

