



US00D358066S

United States Patent [19] Blackwood

[11] Patent Number: **Des. 358,066**

[45] Date of Patent: **** May 9, 1995**

[54] **SPORTS CARD DISPLAY RACK**

[76] Inventor: **Thomas M. Blackwood, 12733
Cheshire St., Norwalk, Calif. 90650**

[**] Term: **14 Years**

[21] Appl. No.: **14,290**

[22] Filed: **Dec. 6, 1993**

[52] U.S. Cl. **D6/449**

[58] Field of Search **D6/449, 450, 451, 470;
D21/54; 428/542.4**

2,742,292 9/1952 McDonough 273/150
 4,829,691 5/1989 Manjos et al. 428/542.4 X
 4,944,968 7/1990 Wagner 428/542.4 X
 5,096,752 3/1992 Wagner 428/542.4 X
 5,270,101 12/1993 Helicher 428/542.4 X

FOREIGN PATENT DOCUMENTS

607433 7/1926 France D21/L428 54

Primary Examiner—Alan P. Douglas
Assistant Examiner—S. Snapp
Attorney, Agent, or Firm—Howard A. Kenyon

[56] **References Cited**
U.S. PATENT DOCUMENTS

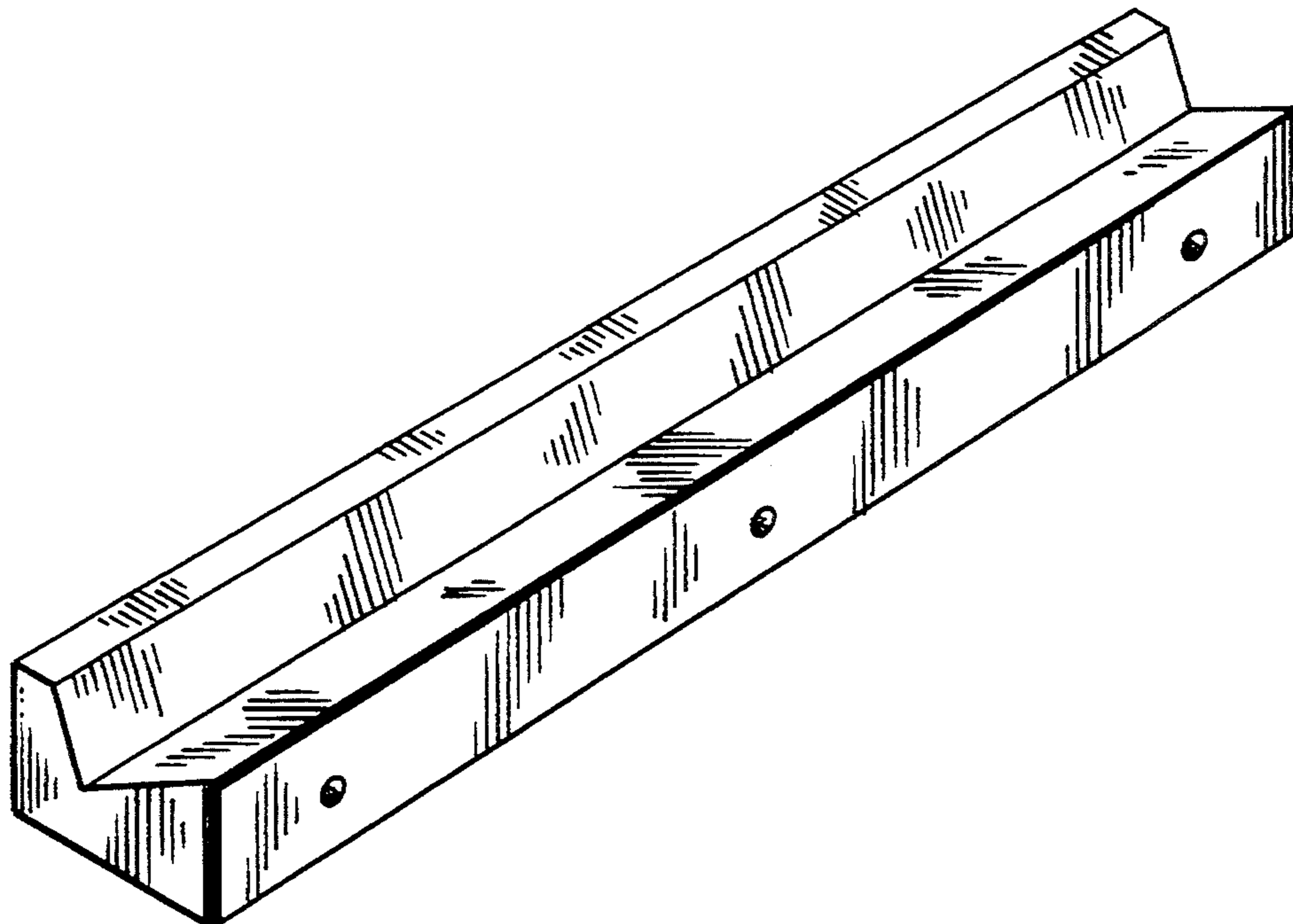
D. 242,056 10/1976 Siskiyou et al. D6/140 X
 D. 246,062 10/1977 Kowalski D21/54
 D. 262,727 1/1982 Snyder D21/54
 D. 271,895 12/1983 Runions D21/54
 D. 331,677 12/1992 Bates D6/470
 D. 347,451 5/1994 Kazakowitz D21/54
 826,783 7/1906 Healy 273/150
 840,459 1/1907 Phillips 273/150
 1,076,850 10/1913 Wedderburn 273/150
 1,629,070 1/1926 Cox 273/150

[57] **CLAIM**

The ornamental design for a sports card display rack, as shown and described.

DESCRIPTION

FIG. 1 is a perspective view of a sports card display rack showing my new design;
 FIG. 2 is a top plan view thereof;
 FIG. 3 is a front elevation view, the rear elevation being a mirror image thereof; and,
 FIG. 4 is a right side elevation view, the opposite side elevation view being a mirror image thereof.



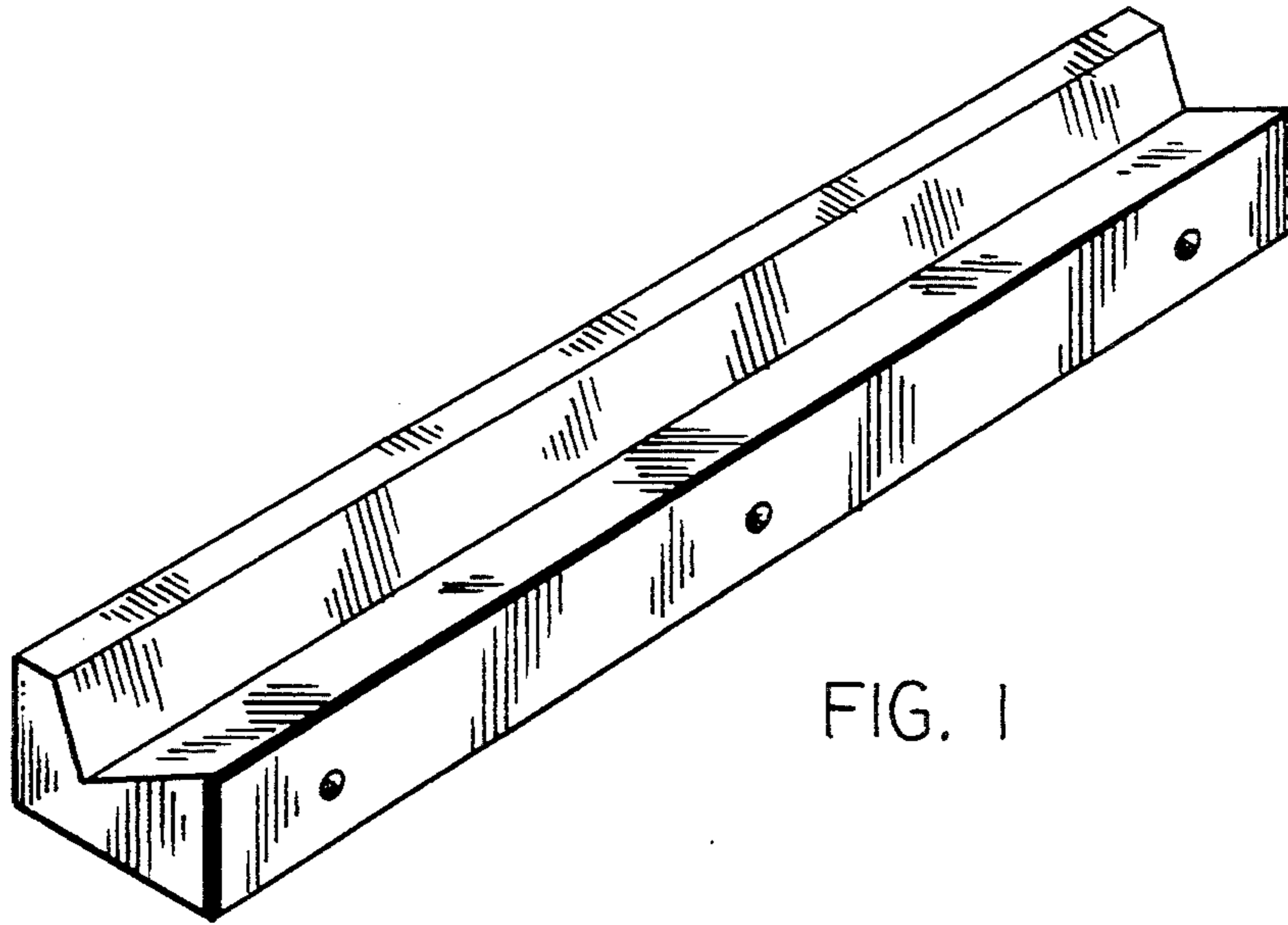


FIG. 1

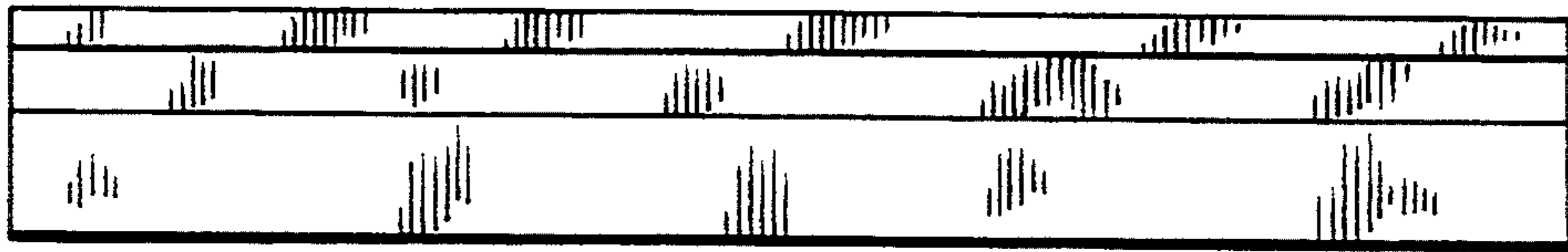


FIG. 2



FIG. 3



FIG. 4