



US00D358062S

United States Patent [19]

[11] Patent Number: **Des. 358,062**

Hasuike

[45] Date of Patent: **** May 9, 1995**

[54] **COOK POT**

[58] Field of Search D7/323, 354, 356, 358,
D7/360, 361, 409, 667; 99/324, 325, 339, 345,
425, 426, 439

[75] Inventor: **Makio Hasuike, Milan, Italy**

[56] **References Cited**

[73] Assignee: **WMF Wuerttembergische
Metallwarenfabrik Aktengesellschaft,
Geislingen, Germany**

U.S. PATENT DOCUMENTS

D. 102,954 1/1937 Nelson D7/360
D. 136,263 8/1943 Vischer D7/358
D. 211,202 1/1879 Whitney et al. 126/369

[**] Term: **14 Years**

Primary Examiner—Alan P. Douglas
Assistant Examiner—Caron D. Veynar
Attorney, Agent, or Firm—Flynn, Thiel, Boutell & Tanis

[21] Appl. No.: **19,897**

[57] **CLAIM**

[22] Filed: **Mar. 14, 1994**

The ornamental design for a cook pot, as shown and described.

Related U.S. Application Data

DESCRIPTION

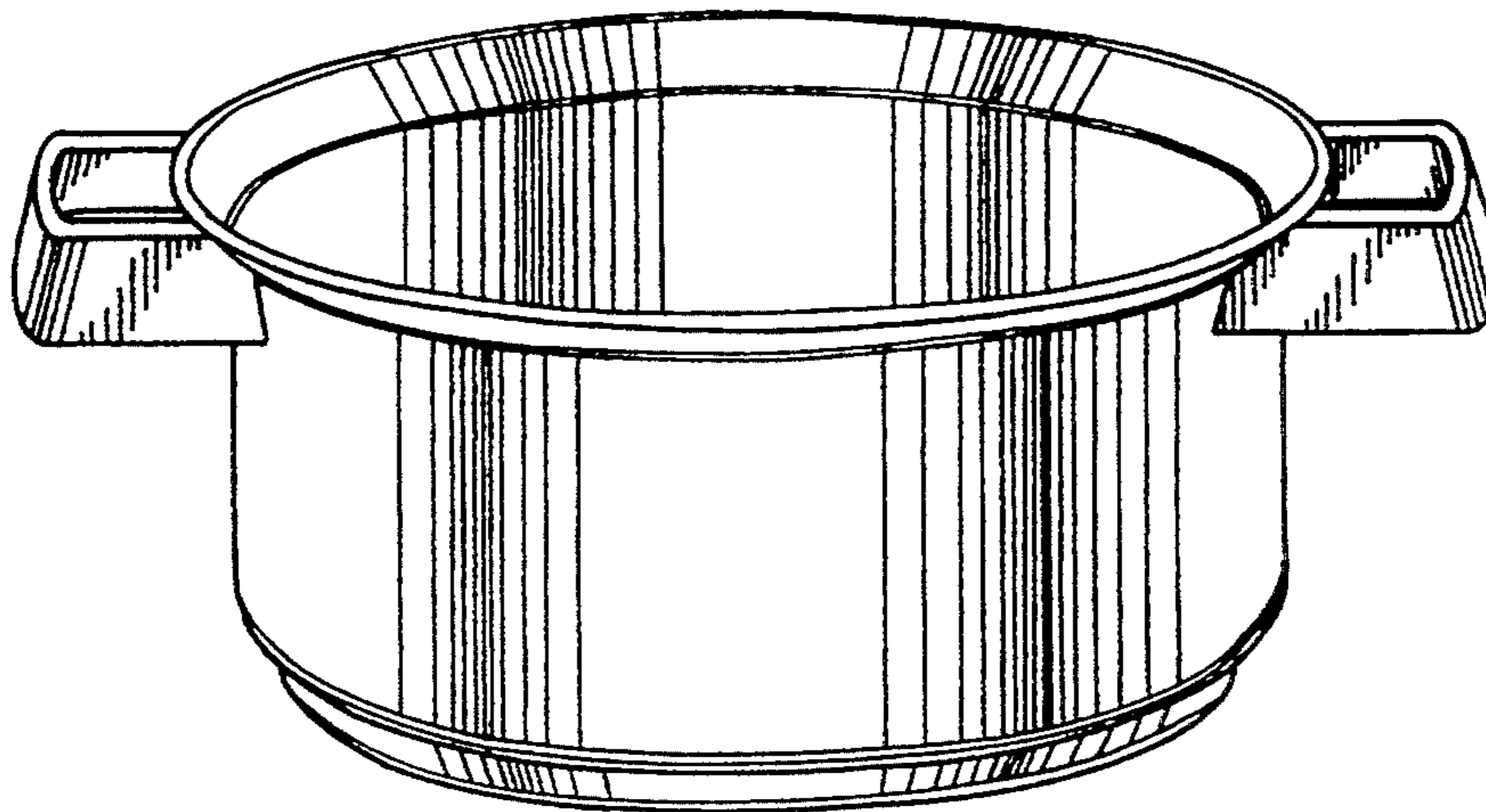
[62] Division of Ser. No. 778,692, Oct. 16, 1991, Pat. No. Des. 349,420.

FIG. 1 is a top and front perspective view of a cook pot showing my new design, the rear view being identical; FIG. 2 is a left side view of FIG. 1, the right side view being identical thereto;

Foreign Application Priority Data

FIG. 3 is a top view of FIG. 1; and,
FIG. 4 is a bottom view of FIG. 1.

May 22, 1991 [WO] WIPO DM/019659
[52] U.S. Cl. D7/360; D7/354



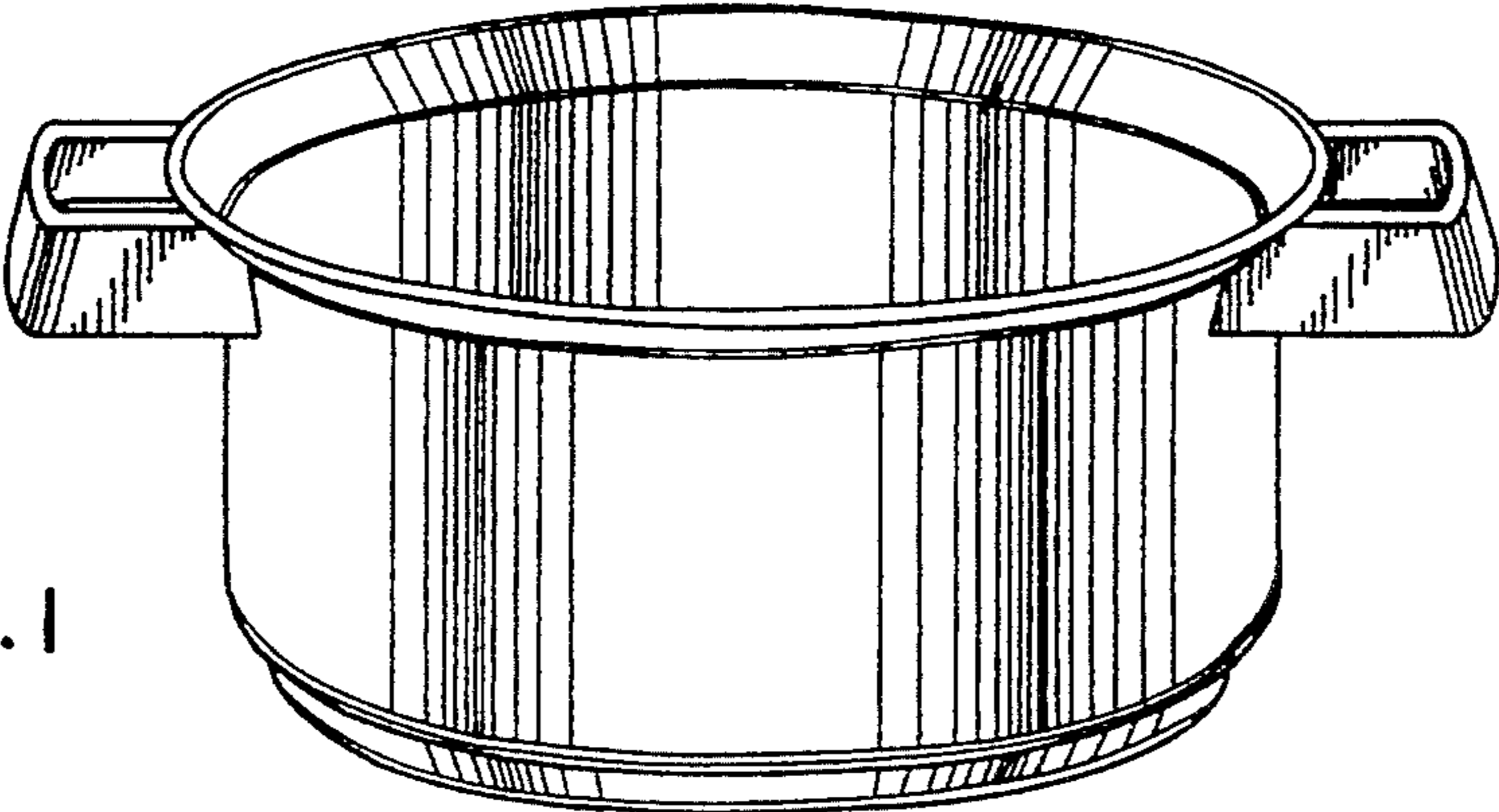


FIG. 1

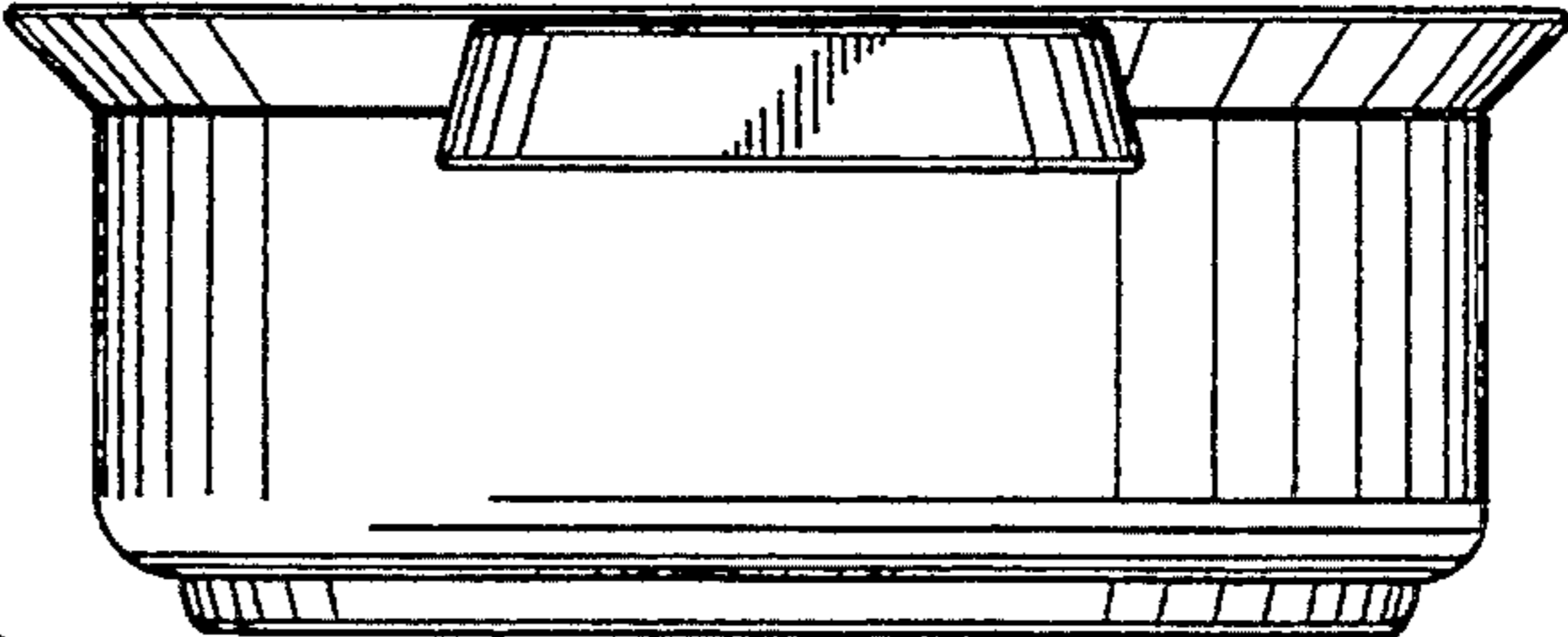


FIG. 2

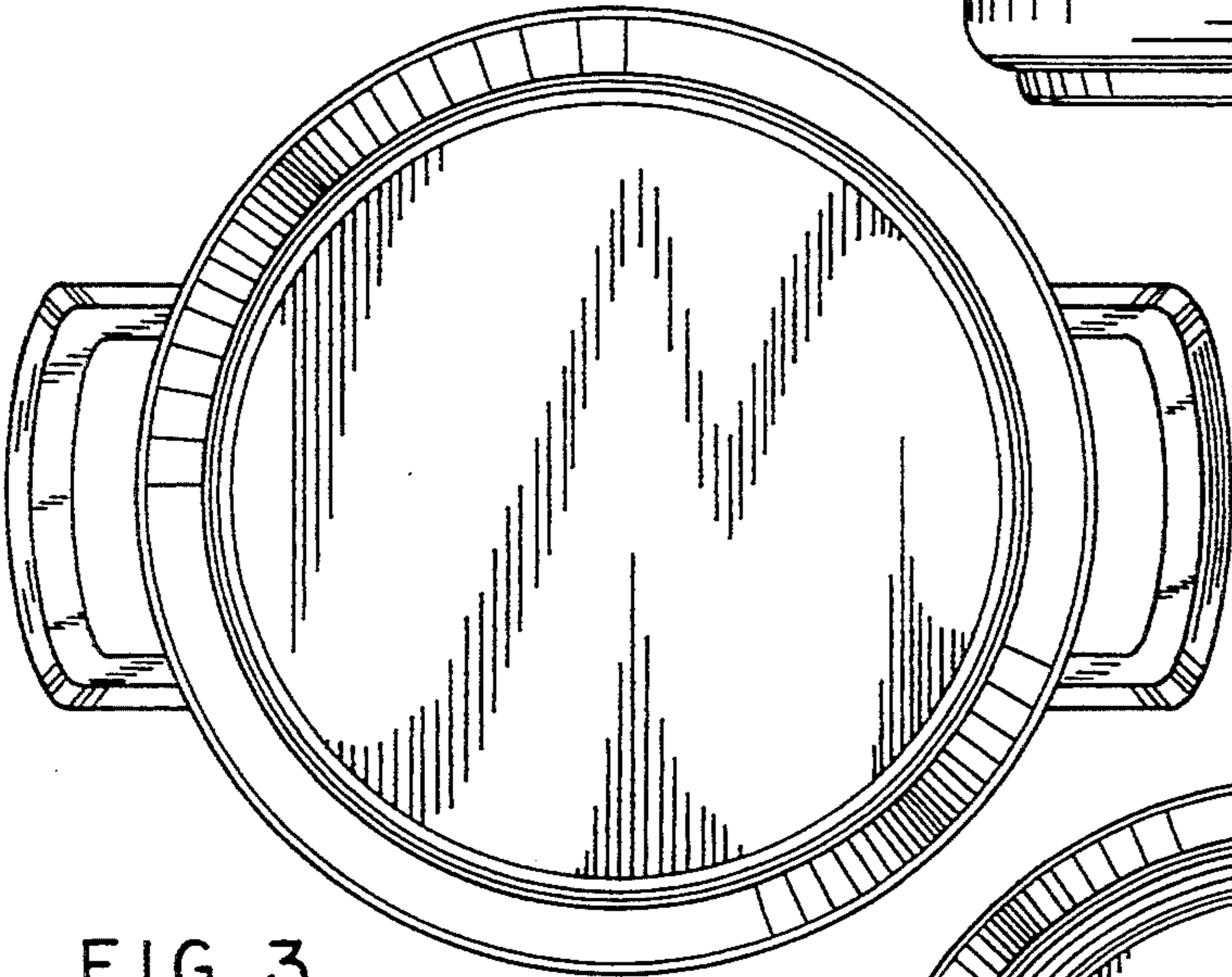


FIG. 3

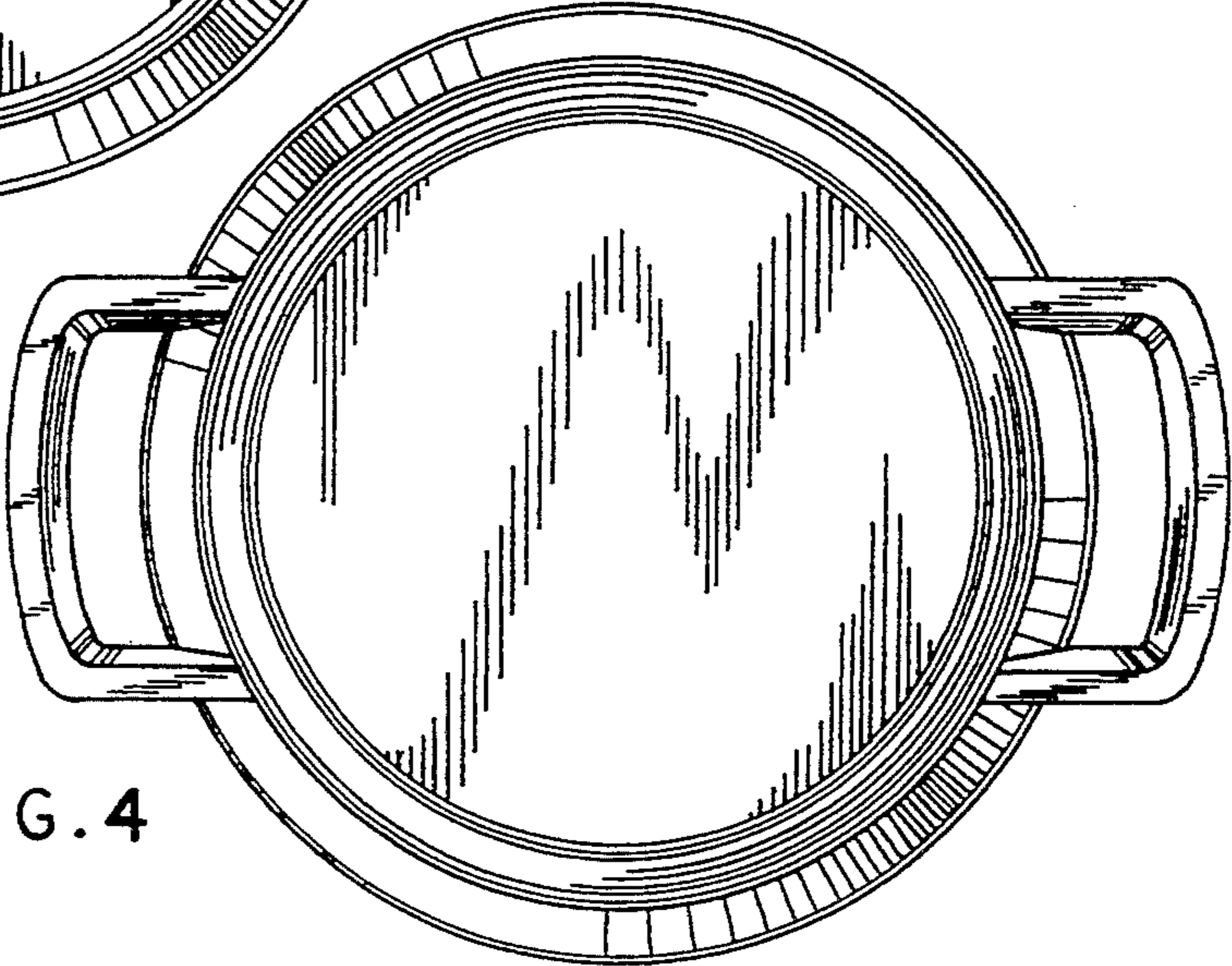


FIG. 4