



US00D358059S

United States Patent [19]

[11] Patent Number: **Des. 358,059**

Peterson et al.

[45] Date of Patent: **** May 9, 1995**

[54] **BARBECUE GRILL HAVING STABILIZERS**

[75] Inventors: **Monte L. Peterson, Barrington;**
James M. Fitzgerald, Schaumburg;
Patrick L. Francomb, Galena, all of
Ill.; Greg Breiding, Columbus, Ohio;
Mark Ciesko, Westerville, Ohio;
Andreas Roessner, Columbus, Ohio

[73] Assignee: **The Thermos Co., Freeport, Ill.**

[**] Term: **14 Years**

[21] Appl. No.: **942,076**

[22] Filed: **Sep. 9, 1992**

[52] U.S. Cl. **D7/334**

[58] Field of Search **D7/331, 332-337,**
D7/339, 342, 402-403; 126/25 R, 25 A, 25 AA,
29-30, 8, 39 B, 39 BA; 99/419, 421 R, 421 HV,
425

3,258,239	11/1966	Drake .
3,611,915	10/1971	Glaser .
3,757,671	9/1973	Warhauser .
3,811,374	5/1974	Mann .
3,931,805	1/1976	Nelson .
4,074,675	2/1978	Dailey .
4,108,142	8/1978	Barson et al. .
4,331,123	5/1982	Alles et al. .
4,337,751	7/1982	Sampson et al. .
4,495,860	1/1985	Hitch et al. .
4,498,452	2/1985	Schlosser et al. .
4,635,613	1/1987	Tucker et al. .
4,886,045	12/1989	Ducate, Jr. et al. .
4,895,068	1/1990	Hanagan et al. .
4,966,126	10/1990	Wu .
5,009,151	4/1991	Hungerford .
5,050,577	9/1991	Baynes et al. .
5,072,718	12/1991	Seal .
5,086,752	2/1992	Hait .
5,086,753	2/1992	Berger .
5,088,069	2/1992	Koziol .

[56] **References Cited**

U.S. PATENT DOCUMENTS

D. 172,797	8/1954	Long	D7/334
D. 214,220	5/1969	ver Halen	D7/334
D. 282,619	2/1986	Fitzgerald et al. .	
D. 284,443	7/1986	Parlour .	
D. 284,929	8/1986	Schlosser et al. .	
D. 293,067	12/1987	Stephen et al. .	
D. 314,882	2/1991	Bethel .	
D. 315,079	3/1991	Jui-Yen .	
D. 316,355	4/1991	Stephen et al. .	
D. 325,315	4/1992	Parent et al.	D7/334
D. 325,316	4/1992	Parent et al.	D7/332
D. 325,318	4/1992	Parent et al.	D7/332
D. 327,390	6/1992	Schlosser et al. .	
D. 327,805	7/1992	Parent et al.	D7/332

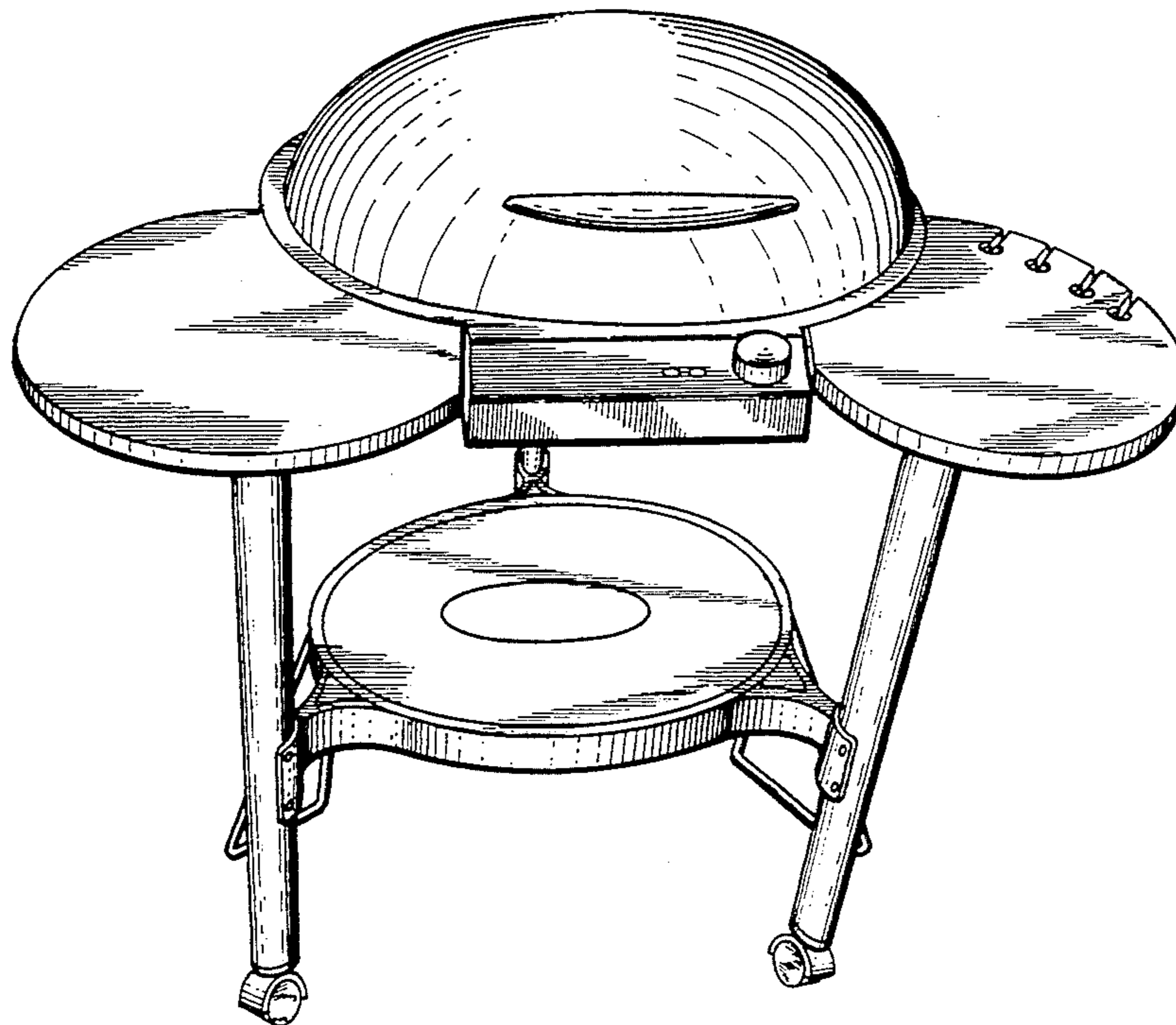
Primary Examiner—Ruth McInroy
Attorney, Agent, or Firm—Todd S. Parkhurst

[57] **CLAIM**

The ornamental design for a barbecue grill having stabilizers, as shown.

DESCRIPTION

FIG. 1 is a perspective view of a barbecue grill having stabilizers showing our new design; FIG. 2 is a top plan view thereof; FIG. 3 is a bottom plan view thereof; FIG. 4 is a right side elevation view thereof; FIG. 5 is a front elevation view thereof; FIG. 6 is a left side elevation view thereof; and, FIG. 7 is a rear elevation view thereof.



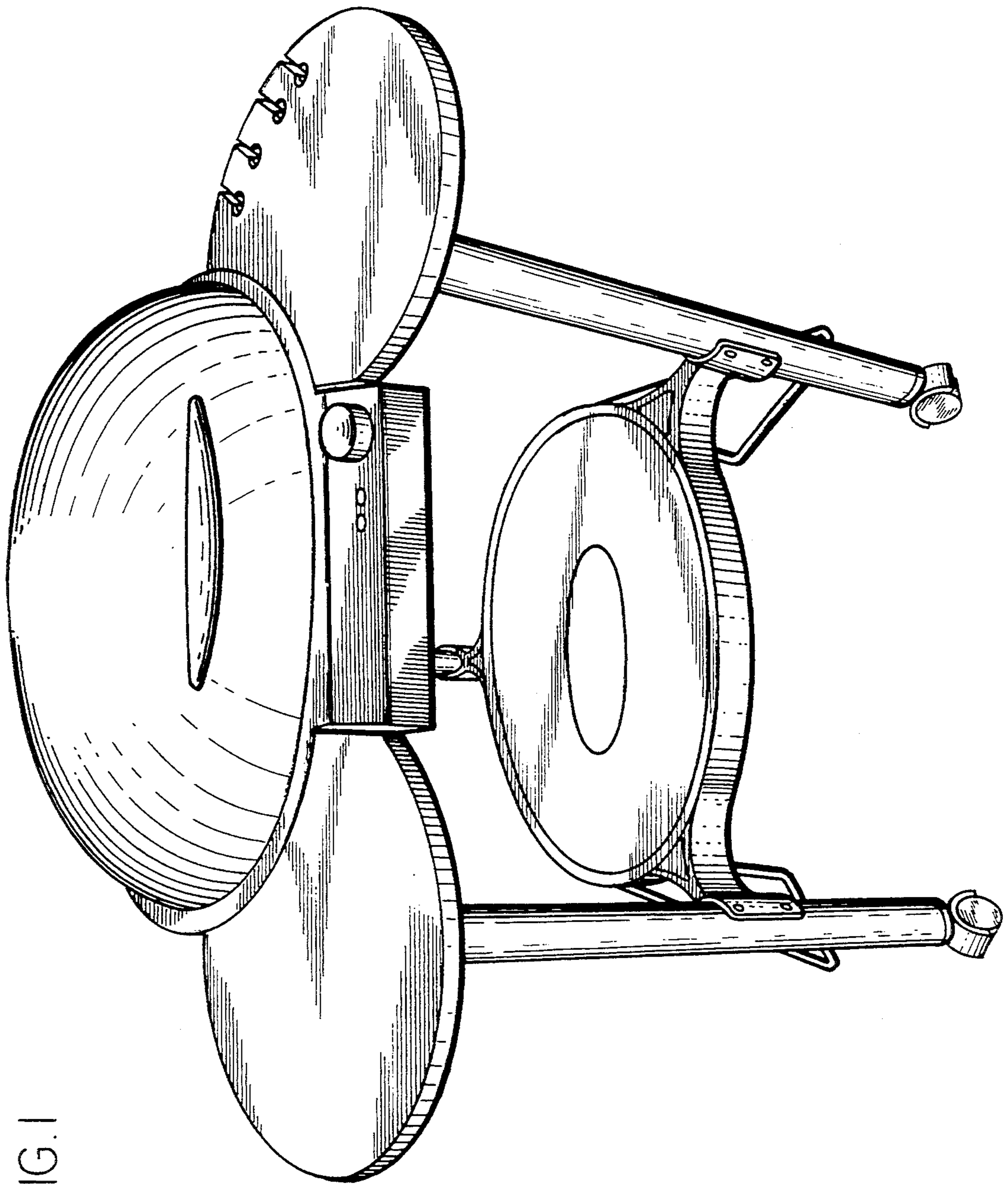


FIG. 1

FIG. 2

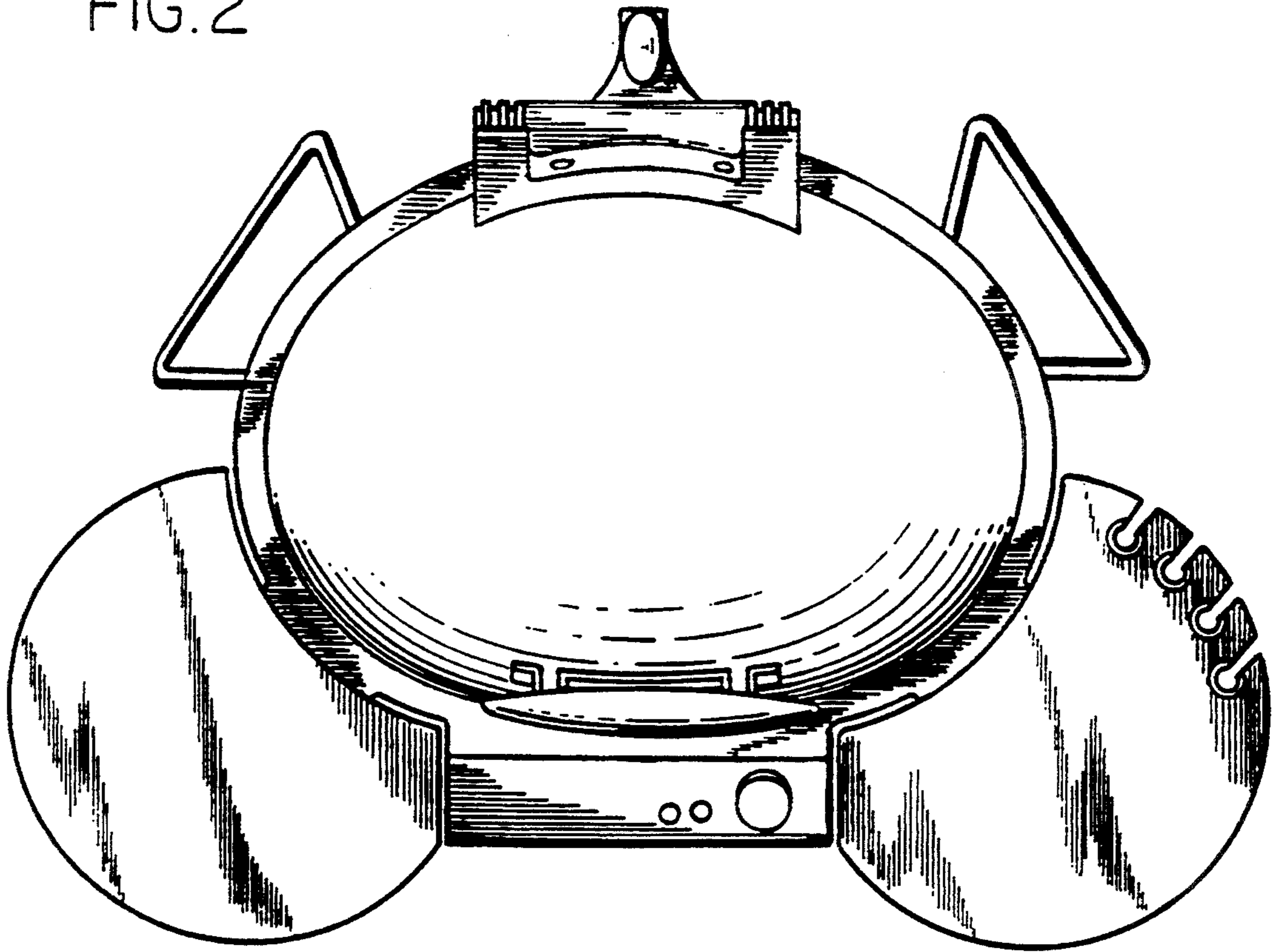


FIG. 3

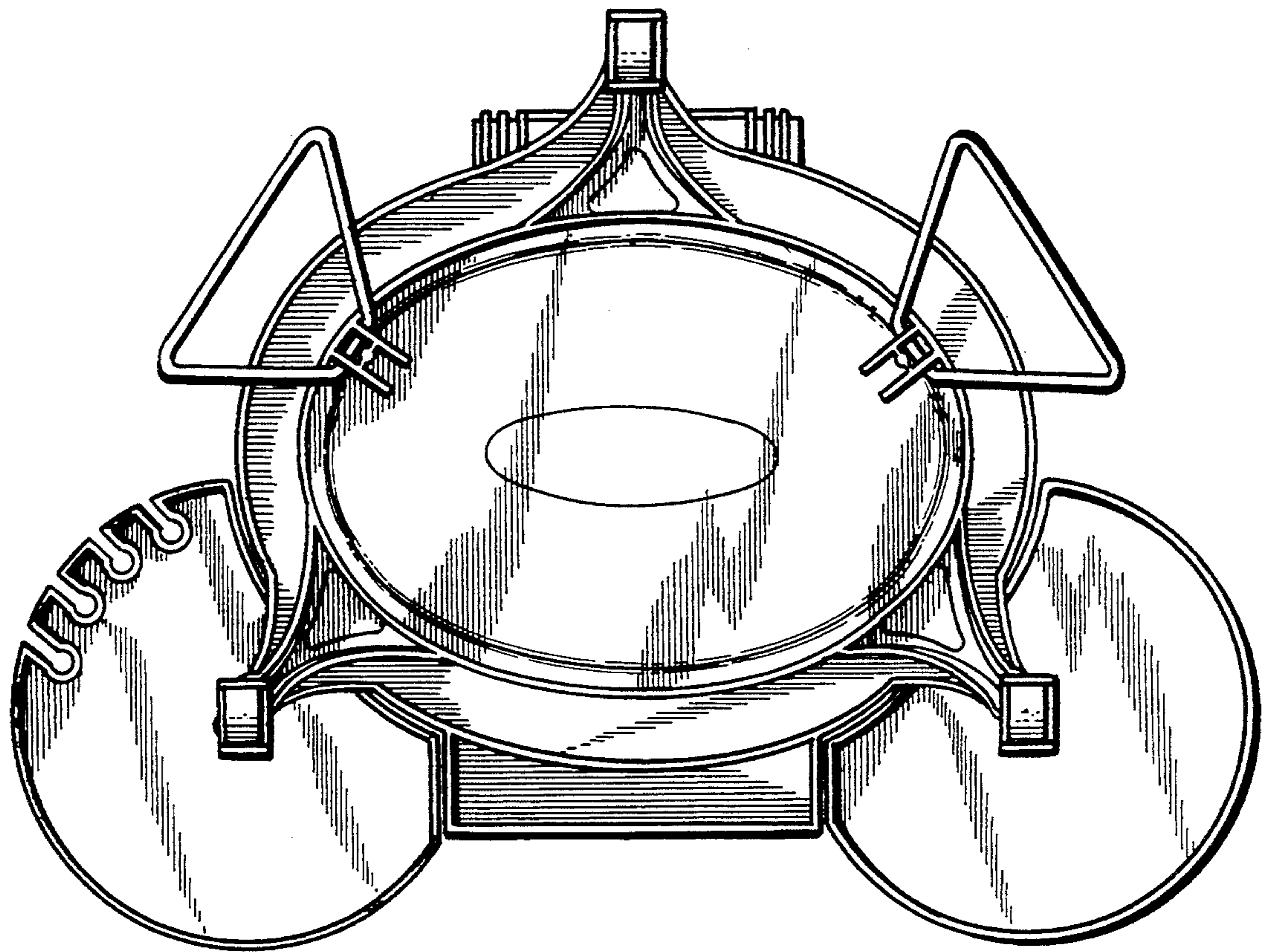


FIG. 5

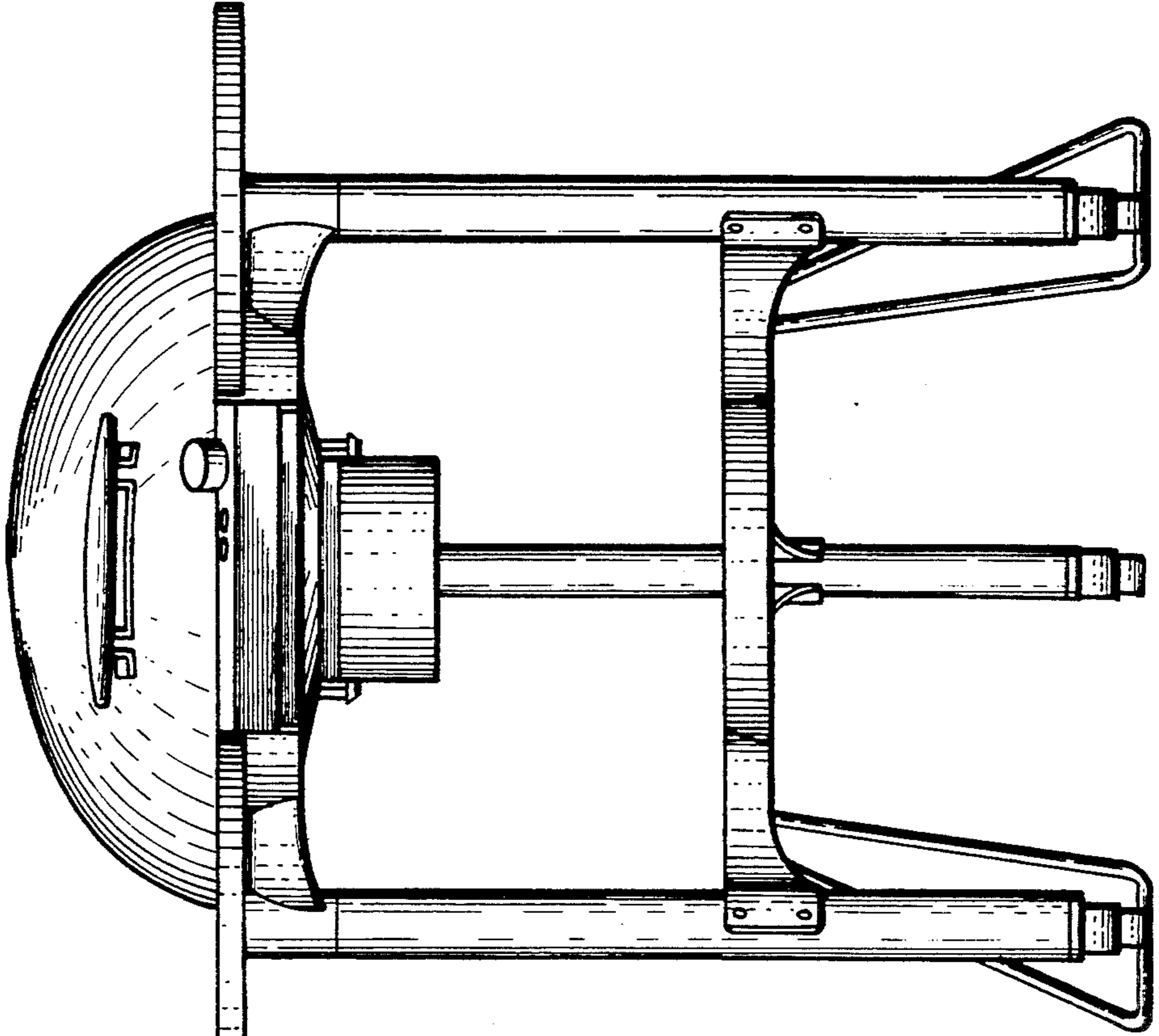


FIG. 4

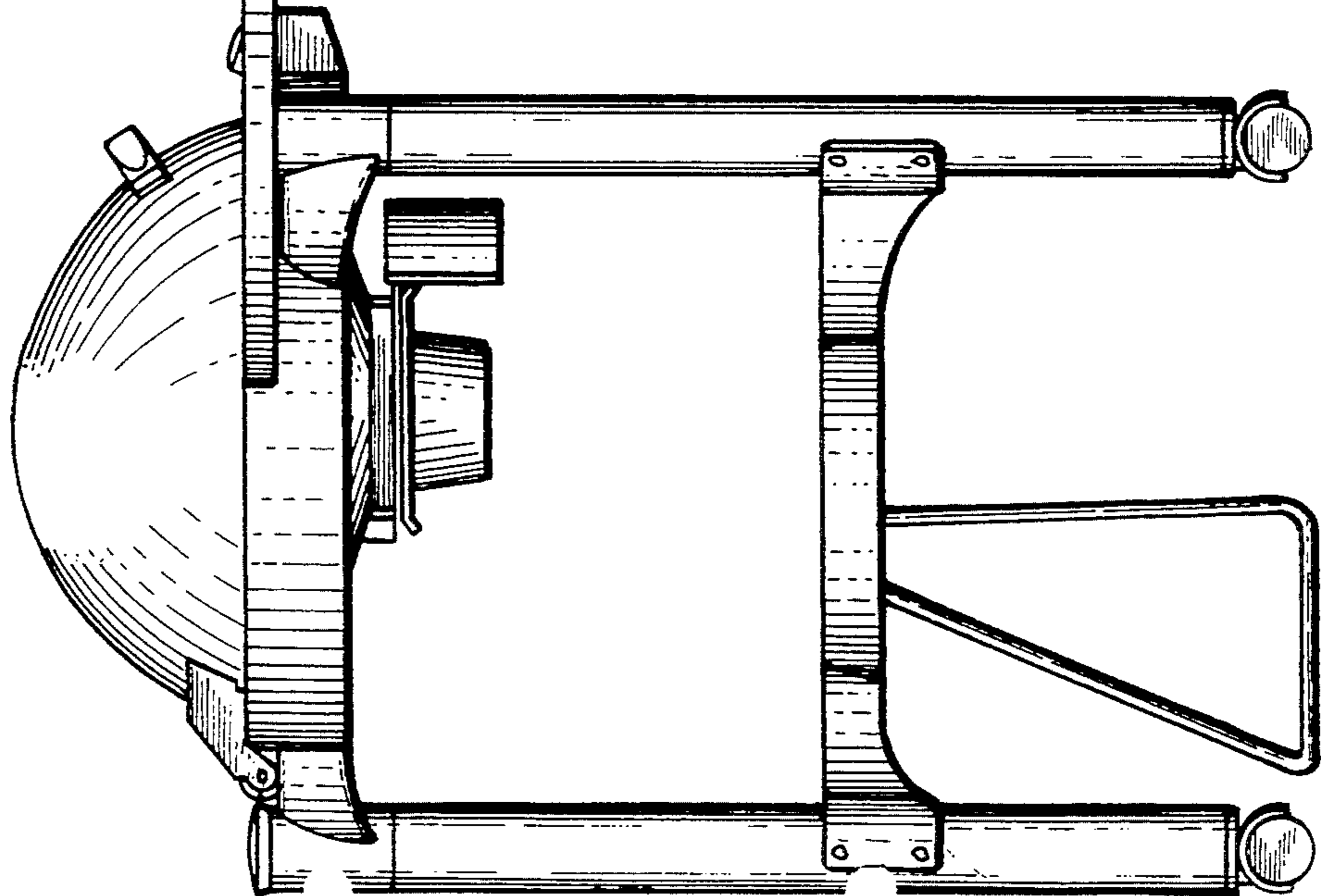


FIG. 7

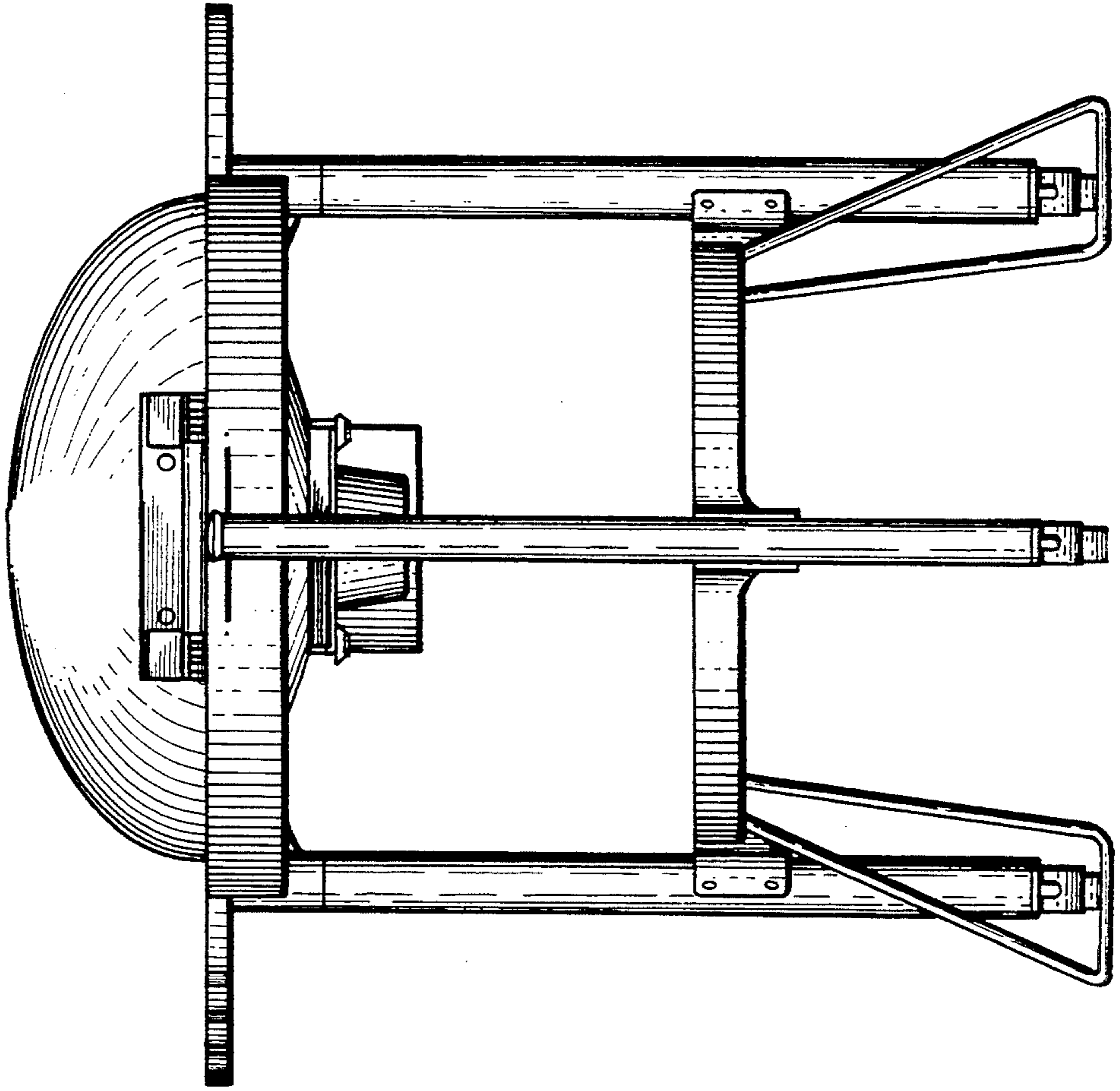


FIG. 6

