



US00D358050S

United States Patent [19]

[11] **Patent Number: Des. 358,050**

Koning

[45] **Date of Patent: ** May 9, 1995**

[54] **SUPPORT FOR AN ARTICLE OF FURNITURE**

[76] **Inventor: Paul F. Koning, 37 W. 33rd St., Holland, Mich. 49423**

[**] **Term: 14 Years**

[21] **Appl. No.: 12,933**

[22] **Filed: Sep. 13, 1993**

[52] **U.S. Cl. D6/499; D6/495**

[58] **Field of Search D6/480-489, D6/495-499, 429-431; 108/153-155; 248/188, 188.1, 188.7**

[56] **References Cited**

U.S. PATENT DOCUMENTS

- D. 87,351 5/1932 Miller .
- D. 89,241 11/1932 Kehoe .
- D. 163,027 4/1951 Colson .
- D. 232,144 7/1974 Ford .
- D. 294,318 2/1988 Zapf D6/484
- D. 303,742 10/1989 Reid .
- D. 330,644 11/1992 Bellini et al. D6/481 X
- D. 333,055 2/1993 Kaye .
- 3,885,766 5/1975 Resch et al. 248/188.1

OTHER PUBLICATIONS

Sunar 83, Table Leg.
Virco Cat. ©1983, p. 50 C-44 #638-22 top attachment.
Kinetics-Oct. 1989, p. 4, Leg at top left.
Brochure entitled "Reflexion" from Versteel, 1989.

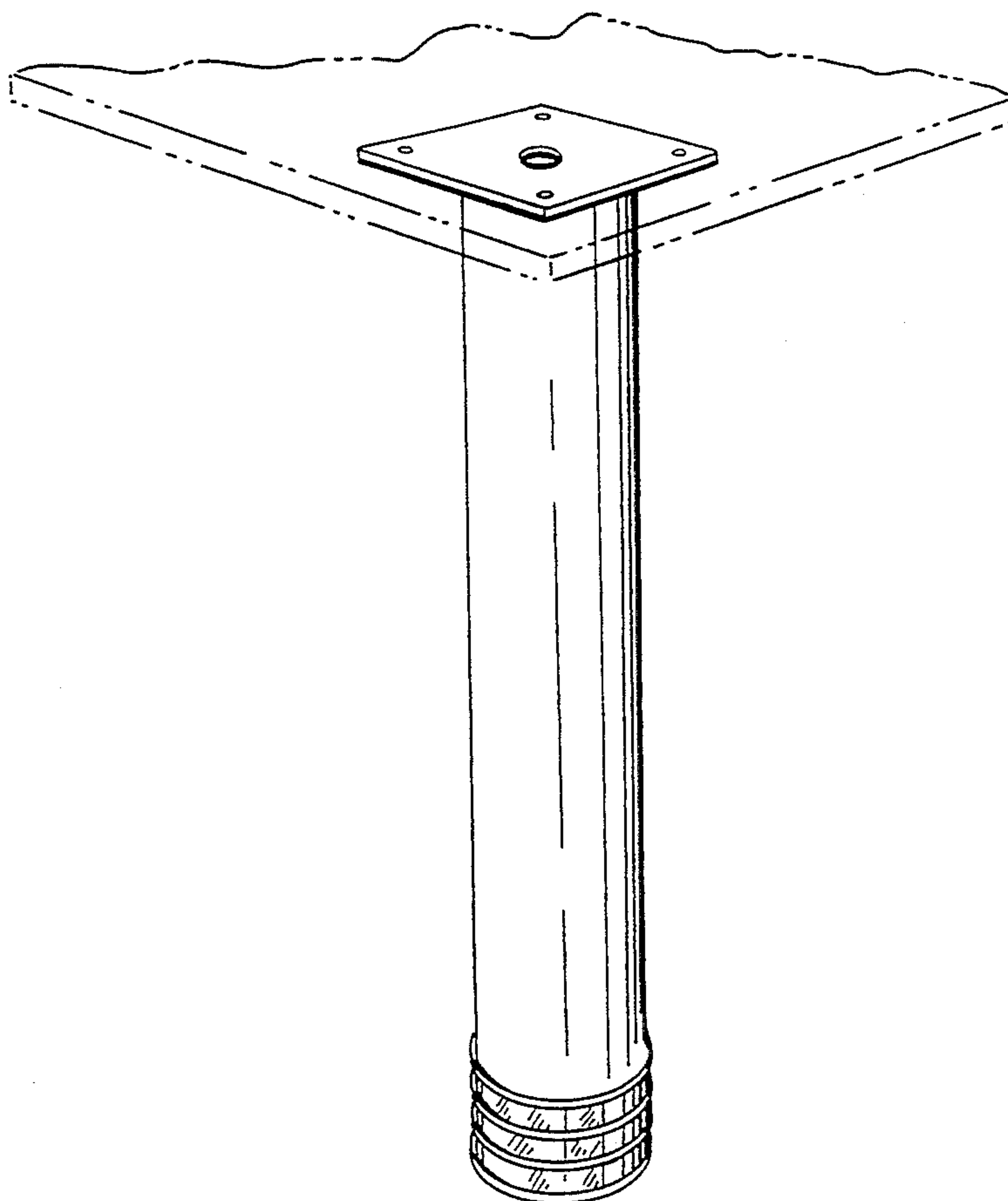
Primary Examiner—Janice E. Seeger
Attorney, Agent, or Firm—Varnum, Riddering, Schmidt & Howlett

[57] **CLAIM**

The ornamental design for a support for an article of furniture, as shown and described.

DESCRIPTION

FIG. 1 is a perspective view of a support for an article of furniture which embodies my design, a corner of a table being shown in phantom lines to depict the environment in which the support can be used; FIG. 2 is a front elevational view thereof, the rear, right and left side elevational views being identical thereto; FIG. 3 is a top plan view thereof; FIG. 4 is a bottom plan view thereof; FIG. 5 is a fragmentary front perspective view of a second embodiment of my new design; and, FIG. 6 is a fragmentary front perspective view of a third embodiment of my new design.



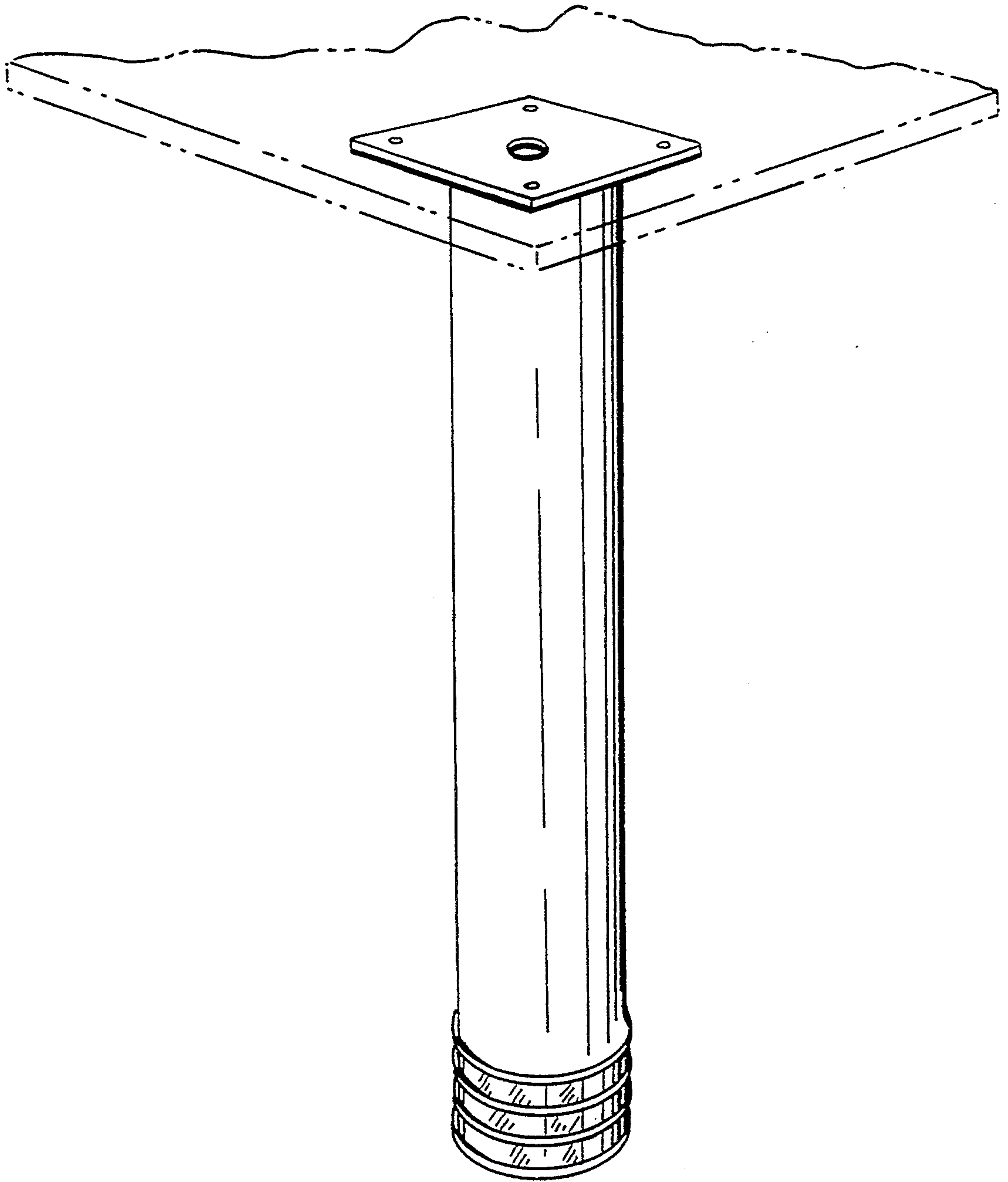


FIG. 1

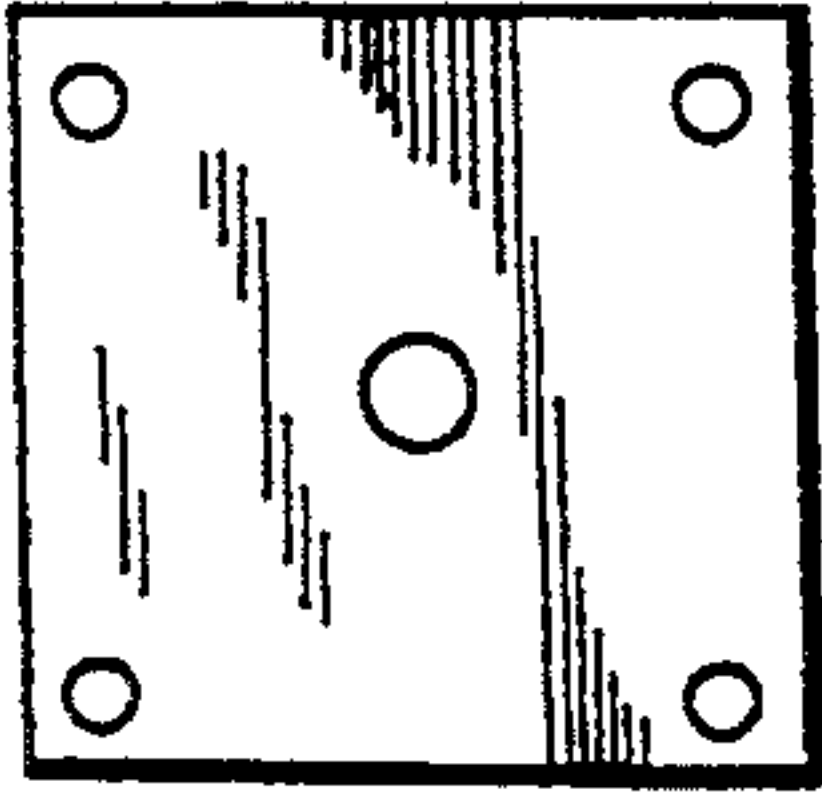


FIG. 3

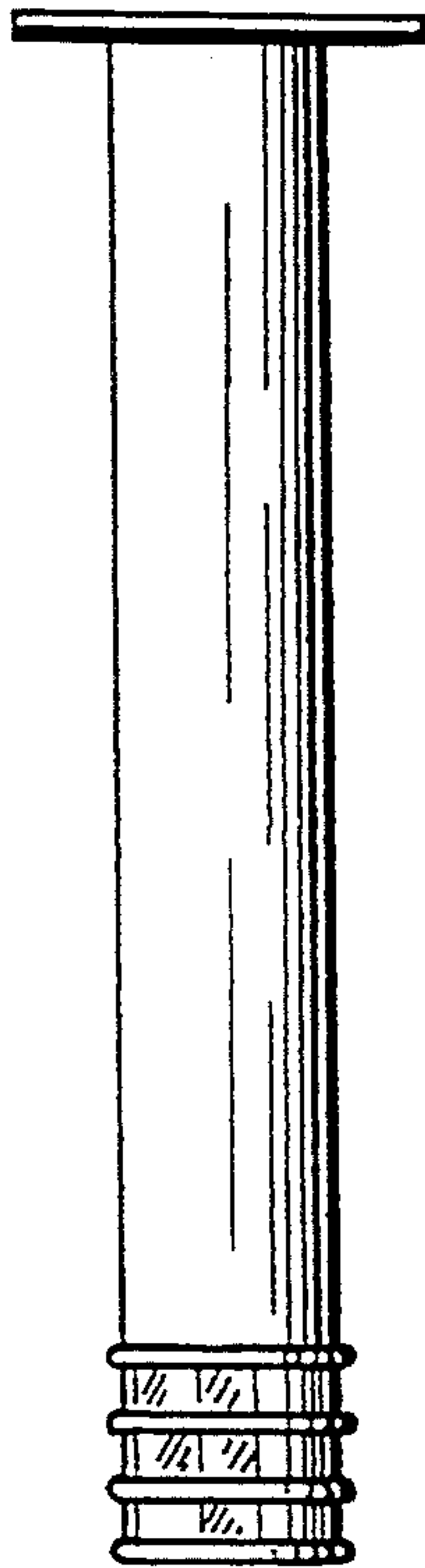


FIG. 2

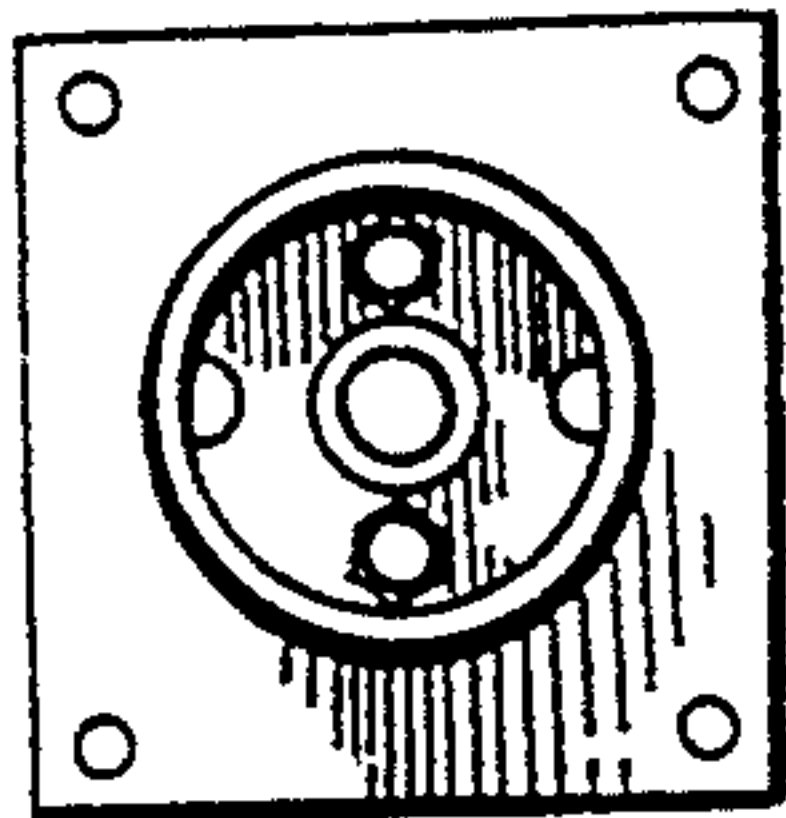


FIG. 4

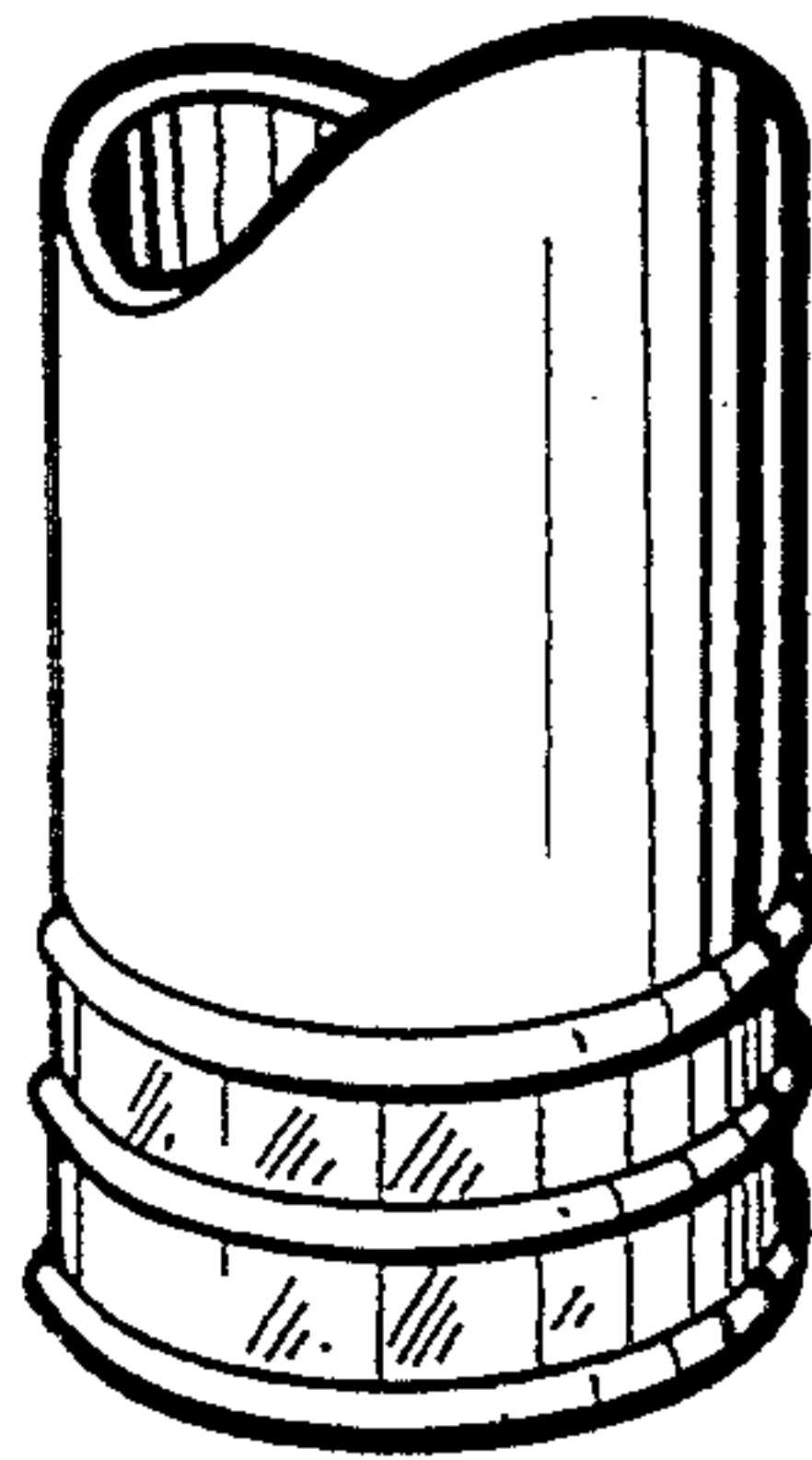


FIG. 5

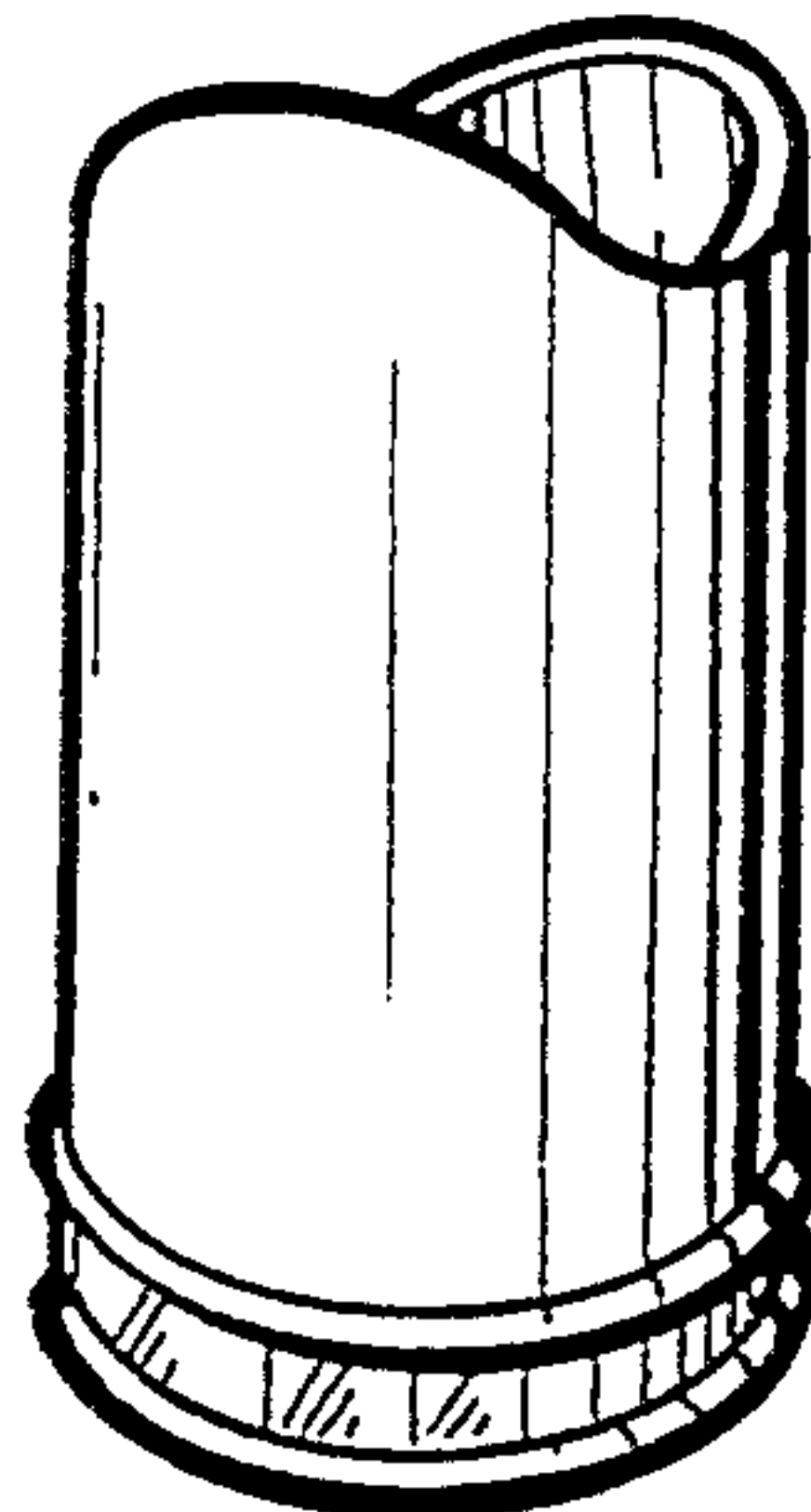


FIG. 6