



US00D358049S

United States Patent [19]

[11] Patent Number: **Des. 358,049**

Wilson

[45] Date of Patent: **** May 9, 1995**

[54] CADDY

5,016,760 5/1991 Mayo .
5,094,349 3/1992 DeVito .
5,165,554 11/1992 Schlesinger .

[76] Inventor: **Henry L. Wilson, 170 W. 81st St.,
New York, N.Y. 10024**

FOREIGN PATENT DOCUMENTS

[**] Term: **14 Years**

401908 5/1966 Switzerland .
275405 8/1927 United Kingdom .
1156414 6/1969 United Kingdom .

[21] Appl. No.: **25,802**

[22] Filed: **Jul. 12, 1994**

[52] U.S. Cl. **D6/475; D6/449;
D19/78**

Primary Examiner—Alan P. Douglas
Assistant Examiner—S. Snapp
Attorney, Agent, or Firm—Richard C. Litman

[58] Field of Search **D6/449, 450, 474, 475,
D6/476, 570; D19/75, 78, 86, 88, 90, 91;
D20/10, 40, 41**

[57] CLAIM

The ornamental design for a caddy, as shown and described.

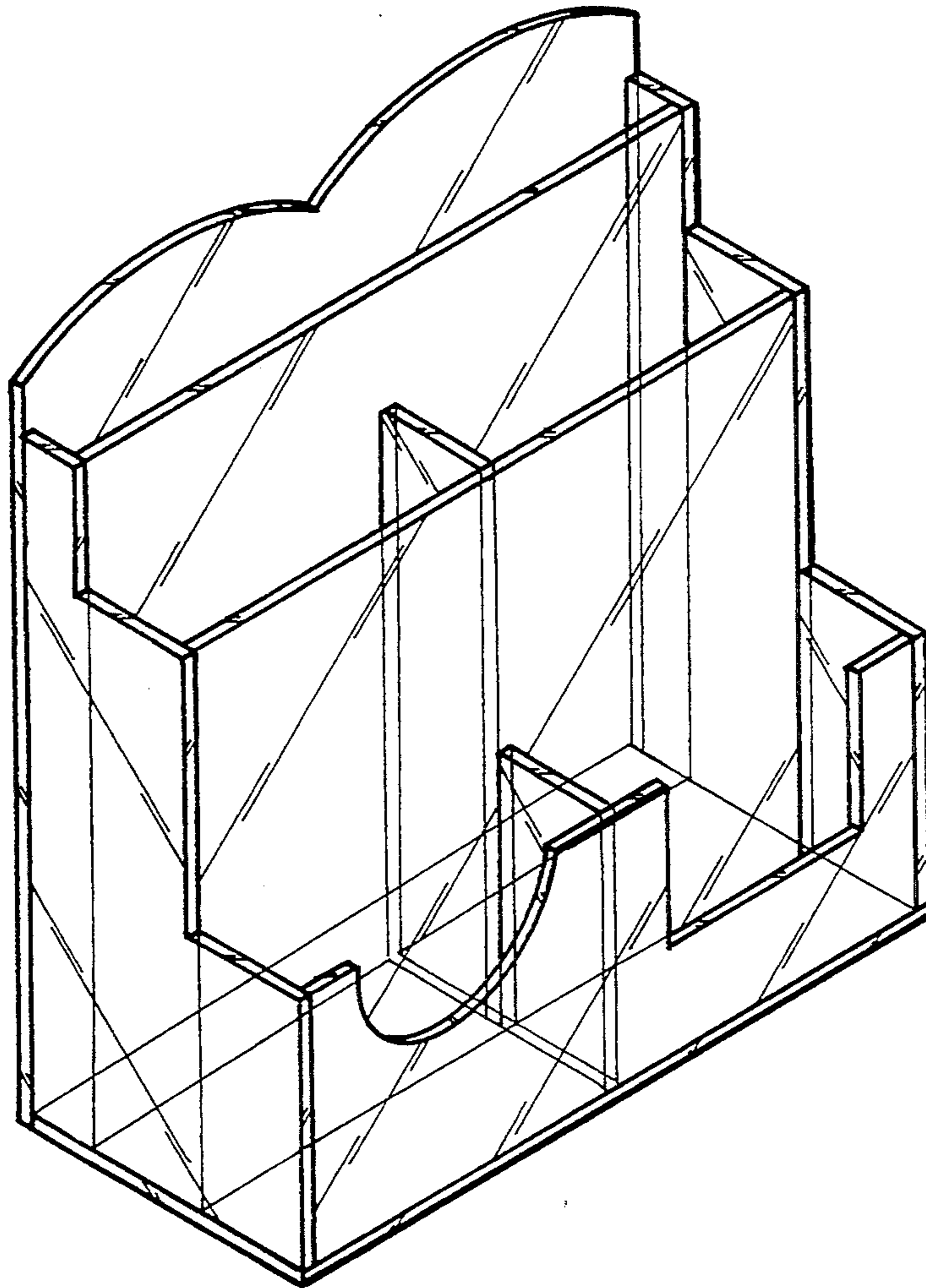
[56] References Cited

U.S. PATENT DOCUMENTS

D. 167,458	8/1952	Gulotta	D6/570
D. 190,178	4/1961	Goodyear	D19/90 X
D. 267,383	12/1982	Liptak et al.	D6/474 X
1,899,509	2/1933	Lapin	.	
3,747,776	7/1973	Gross	.	
4,099,813	7/1978	Olivan	.	
4,936,470	6/1990	Prindle	.	

DESCRIPTION

FIG. 1 is a perspective view of a caddy showing my new design;
FIG. 2 is a front elevational view thereof;
FIG. 3 is a top view thereof; and,
FIG. 4 is a right side elevational view with the left side being a mirror image thereof.
The undisclosed rear and bottom are unornamented.



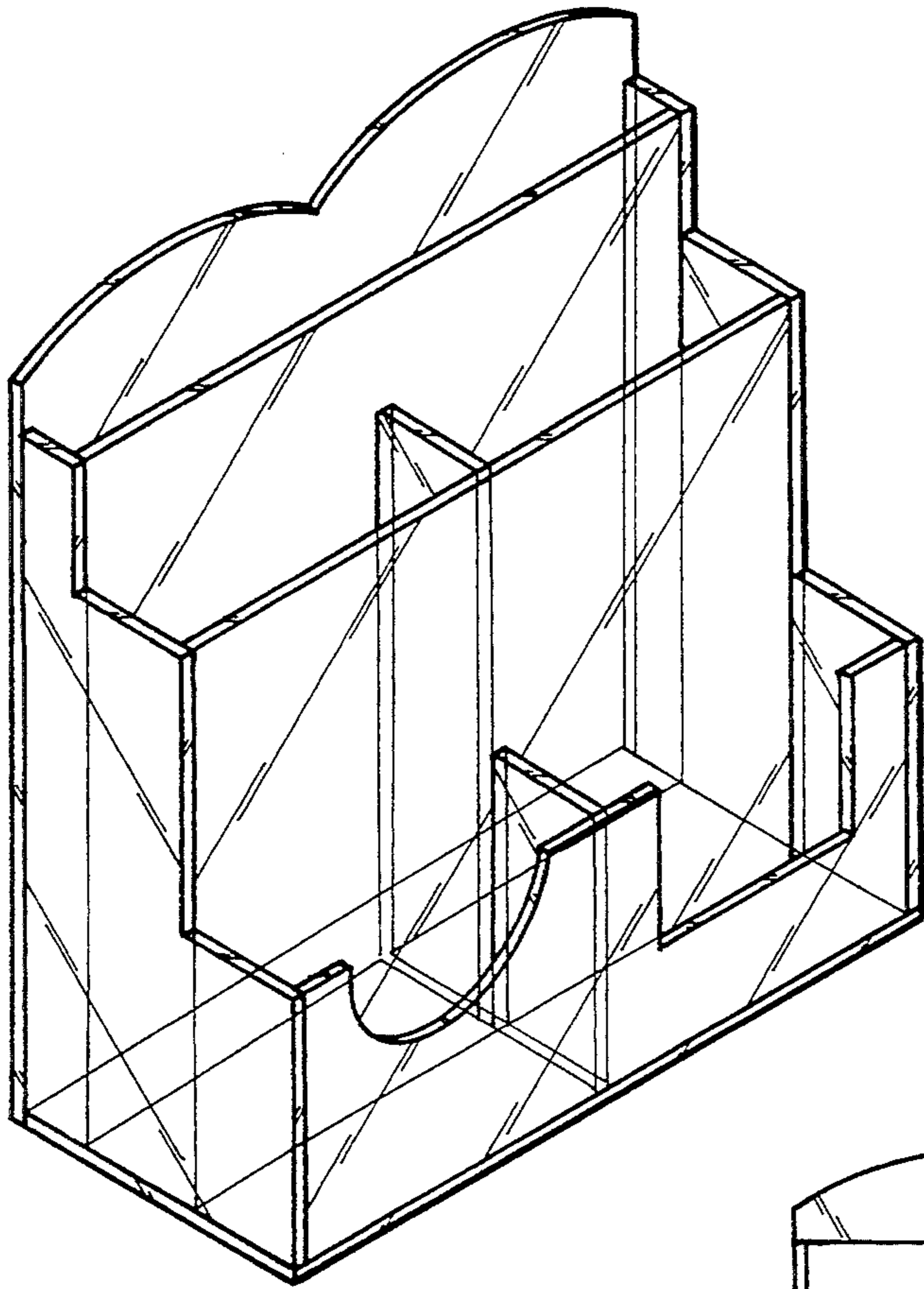


FIG. 1

FIG. 2

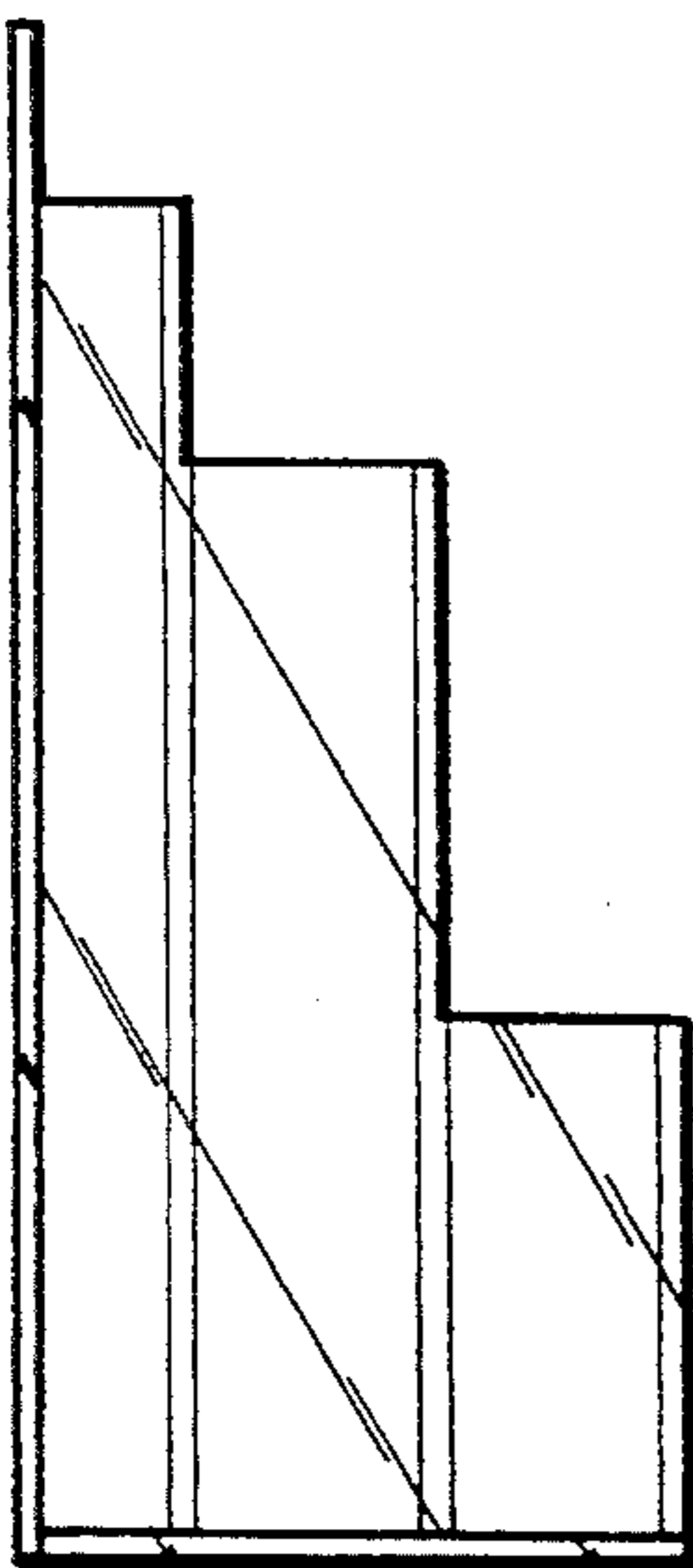
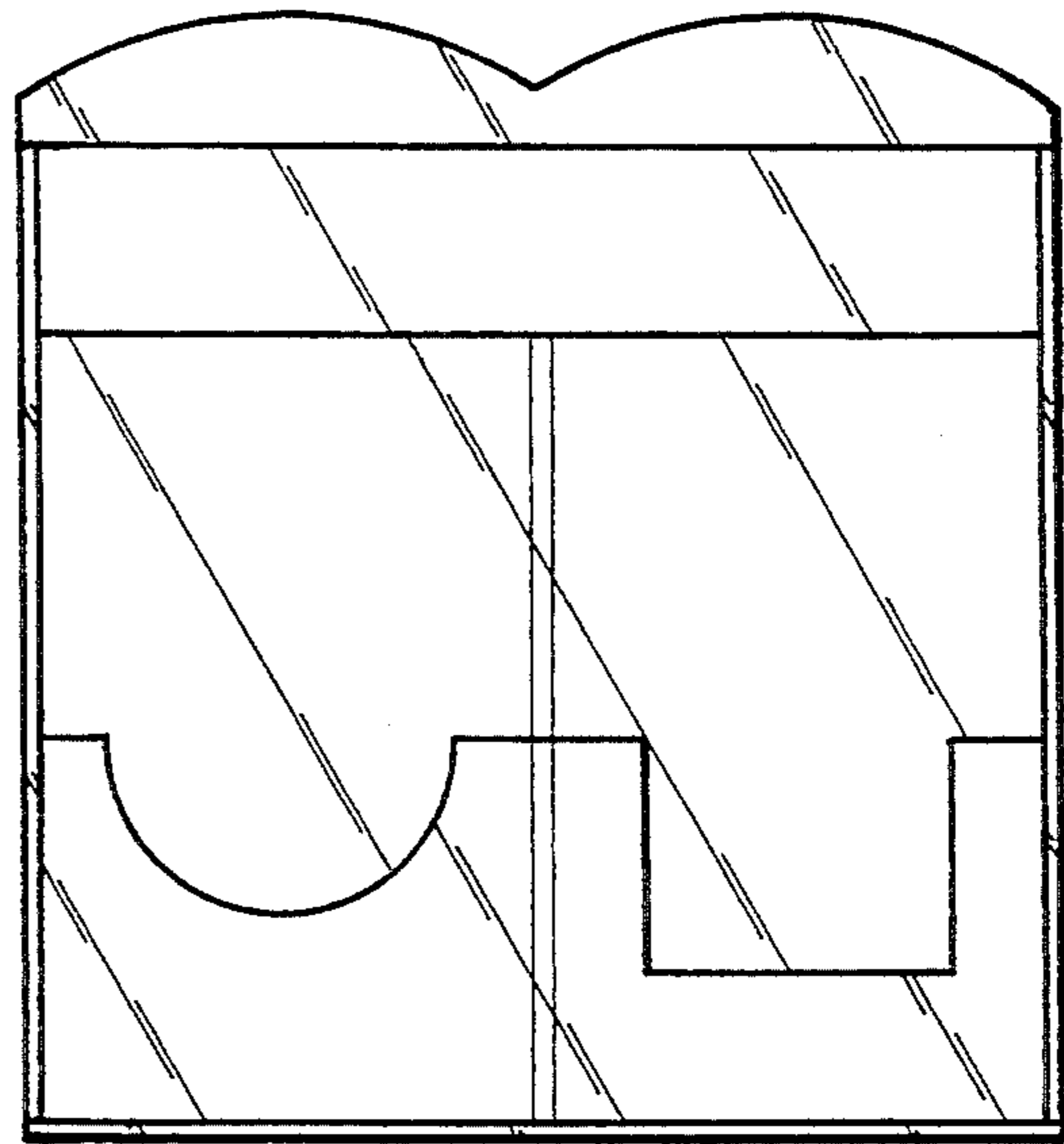


FIG. 3

FIG. 4

