



US00D358048S

United States Patent [19]

[11] Patent Number: **Des. 358,048**

Schoenig et al.

[45] Date of Patent: **** May 9, 1995**

[54] STAND

4,943,021	7/1990	Cien et al.	248/176 X
5,086,930	2/1992	Saeks	211/22 X
5,320,227	6/1994	Minoura	211/22

[75] Inventors: **Darrell A. Schoenig; Jonathan P. Workman**, both of Fort Collins, Colo.

OTHER PUBLICATIONS

[73] Assignee: **Ultimate Support Systems, Inc.**, Fort Collins, Colo.

Bike Nashbar, Youngstown, Ohio; Spring 1992 catalog, p. 60 (Bike Loft).

[**] Term: **14 Years**

Bike Nashbar, Youngstown, Ohio; Spring 1992 catalog, p. 60 (PedaStyle).

[21] Appl. No.: **12,701**

Performance Bicycle, Chapel Hill, North Carolina; 1993 catalog, p. 71 (Pedastyle).

[22] Filed: **Sep. 7, 1993**

Primary Examiner—Alan P. Douglas

[52] U.S. Cl. **D6/466**

Assistant Examiner—S. Snapp

[58] Field of Search D6/466, 467, 469, 449, D6/396, 411, 418, 310, 311; D7/619, 701; D21/196, 197; 248/176, 309.1, 441.1; 211/41, 22

[57] CLAIM

The ornamental design for a stand, as shown and described.

[56] References Cited

DESCRIPTION

U.S. PATENT DOCUMENTS

306,943	4/1990	Hodge et al.	D6/464
D. 344,637	3/1994	Brown	D6/310
477,705	6/1892	Russell	211/22
592,544	10/1897	Graham et al.	211/22
596,541	1/1898	Price	211/22
640,631	1/1900	Conti	211/22
3,981,491	9/1976	Snyder	211/22 X
4,230,296	10/1980	Staley et al.	248/309.1
4,561,339	12/1986	Jensen	248/441.1 X
4,770,380	9/1988	Eason et al.	248/165

FIG. 1 is a front perspective view of the entire stand showing our new design;

FIG. 2 is a detailed view of a portion of the front perspective view of the stand;

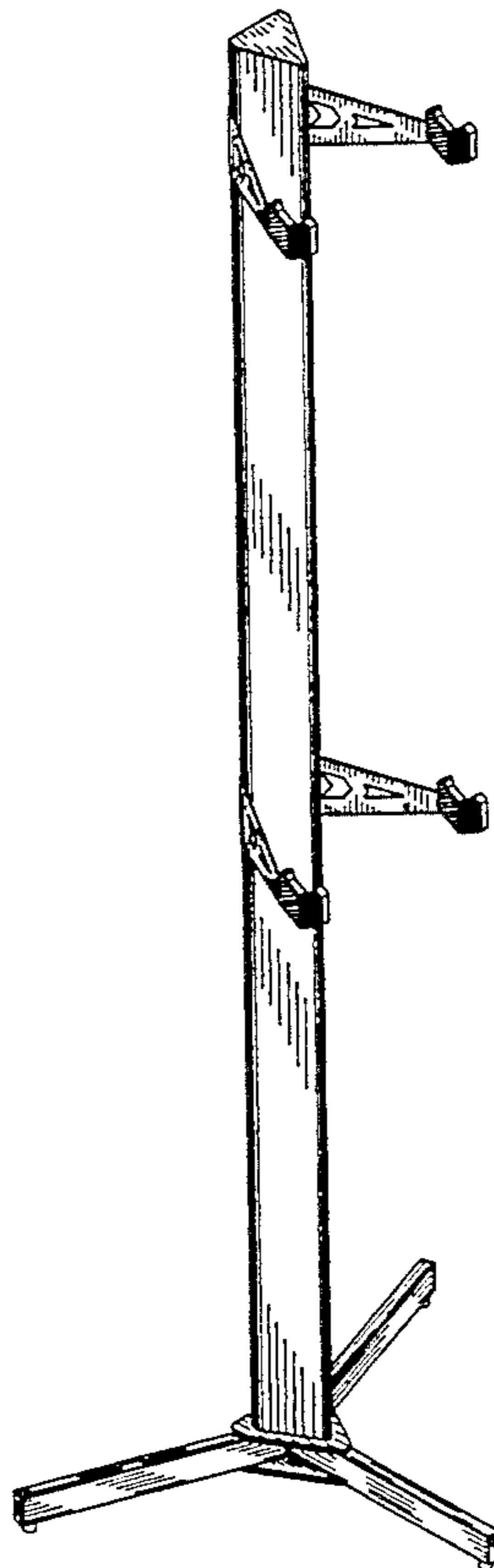
FIG. 3 is a rear elevational view of the stand;

FIG. 4 is a side elevational view of the stand from one side; the elevational view from the opposite side is a mirror image;

FIG. 5 is a front elevational view of the stand;

FIG. 6 is a top plan view thereof; and,

FIG. 7 is a bottom plan view of the stand.



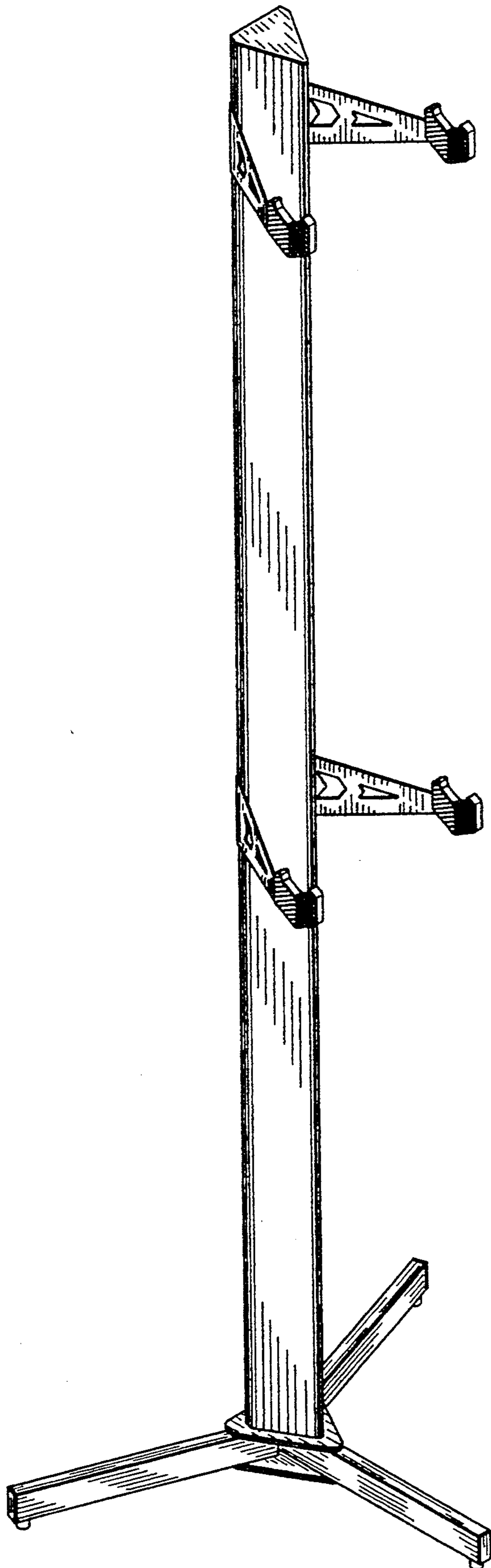


FIG. 1.

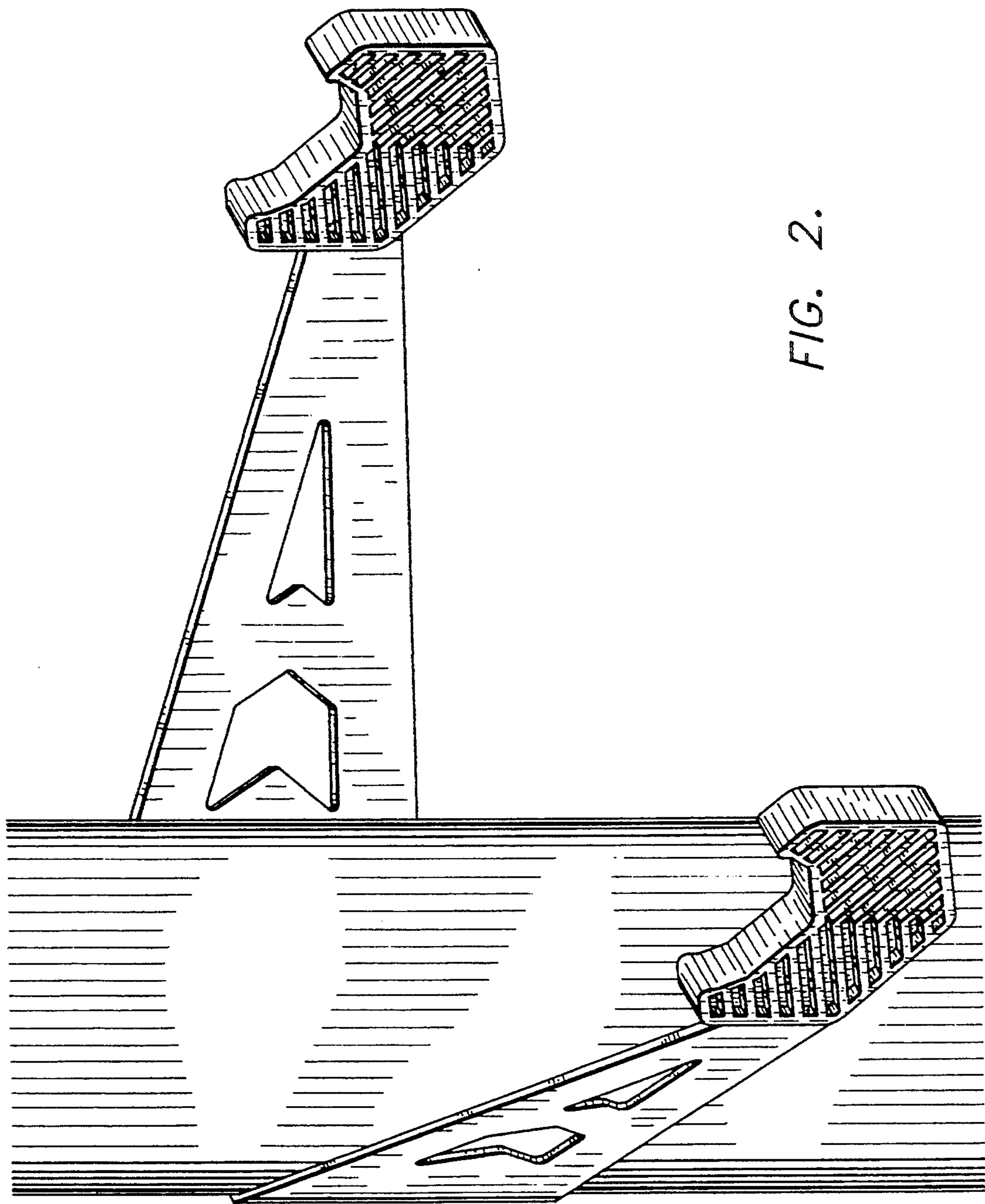


FIG. 2.

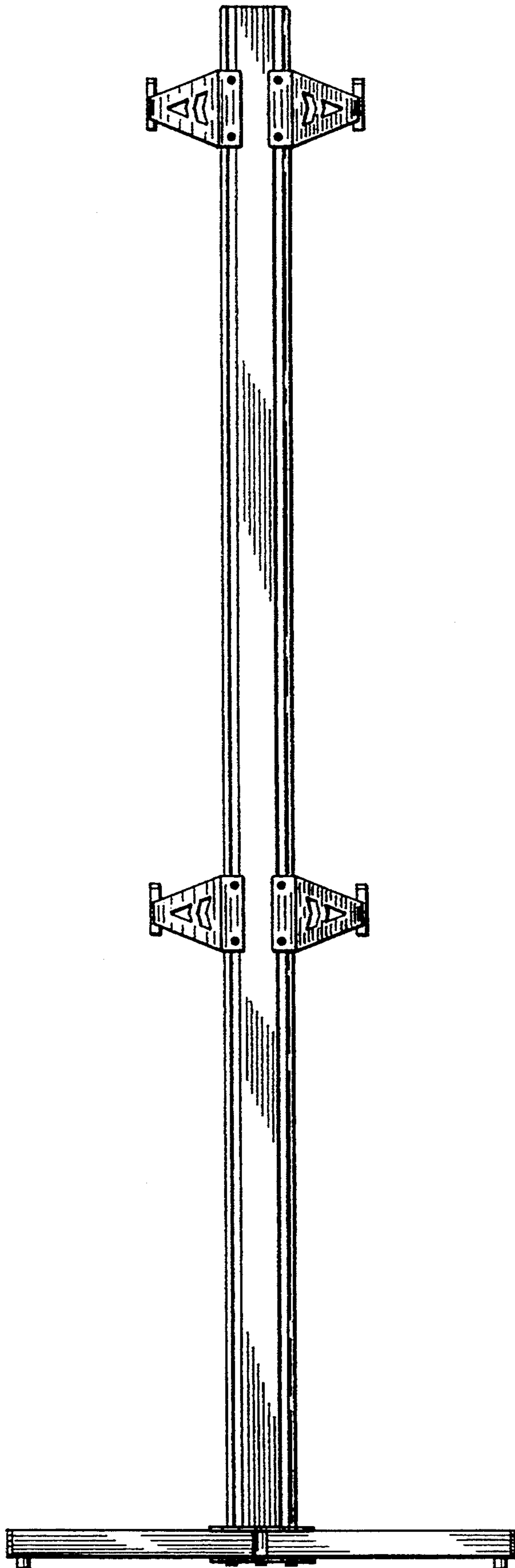


FIG. 3.

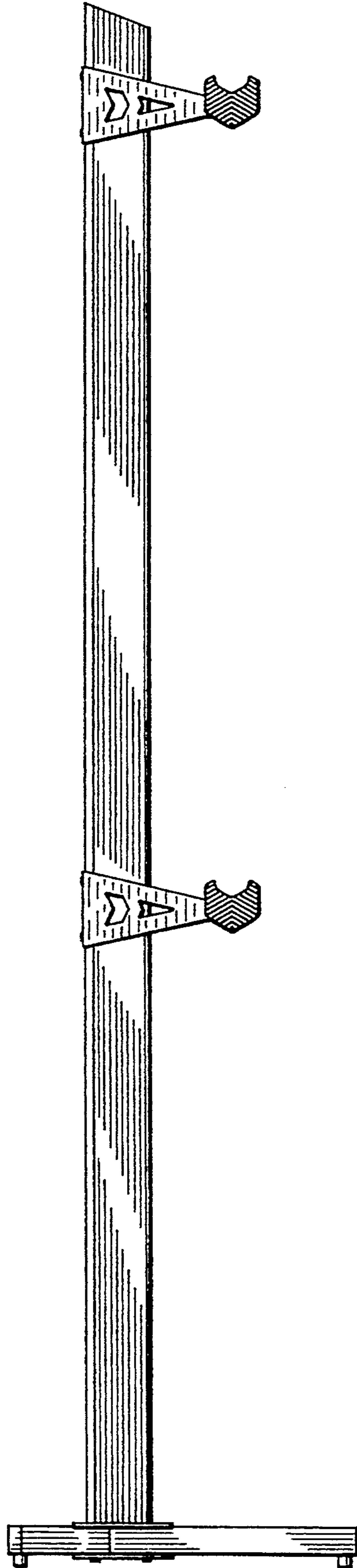


FIG. 4.

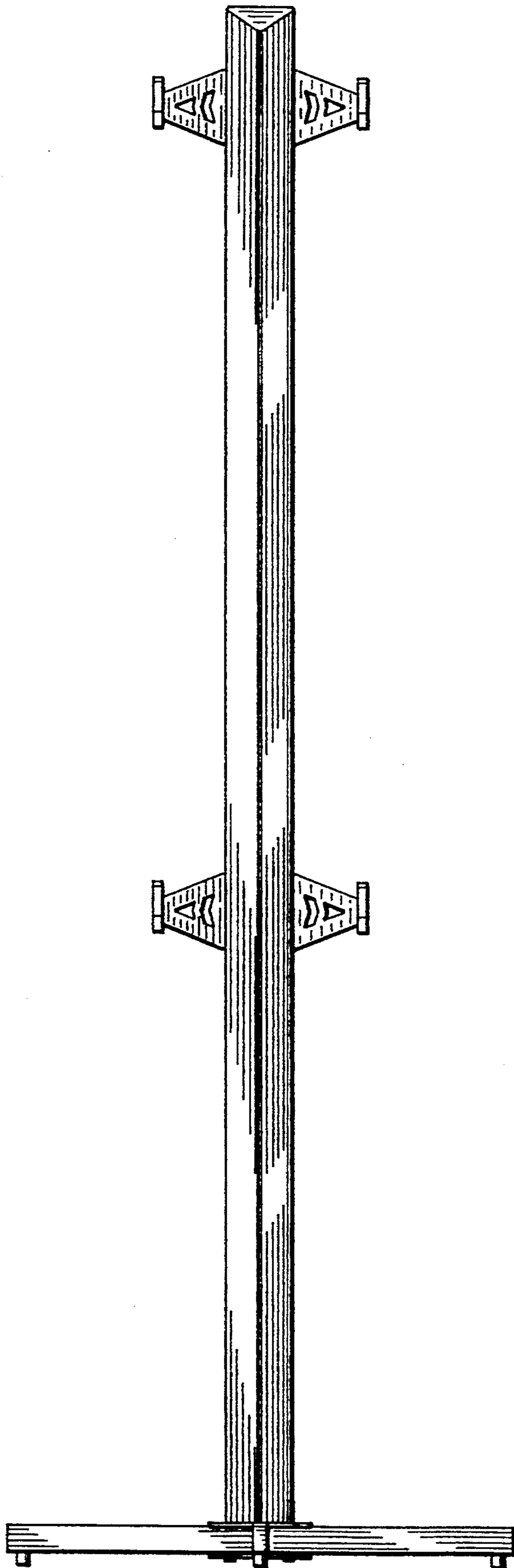


FIG. 5.

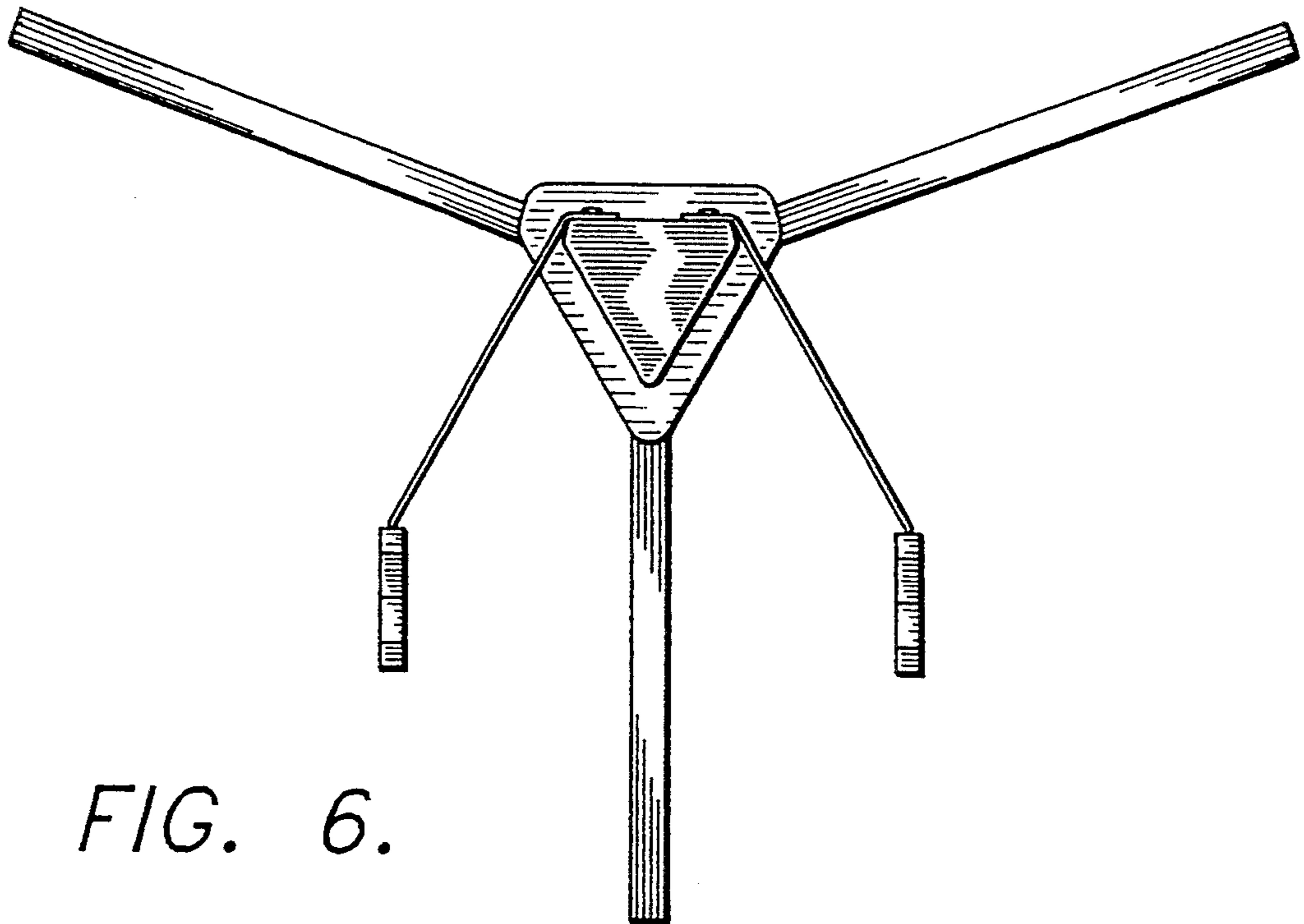


FIG. 6.

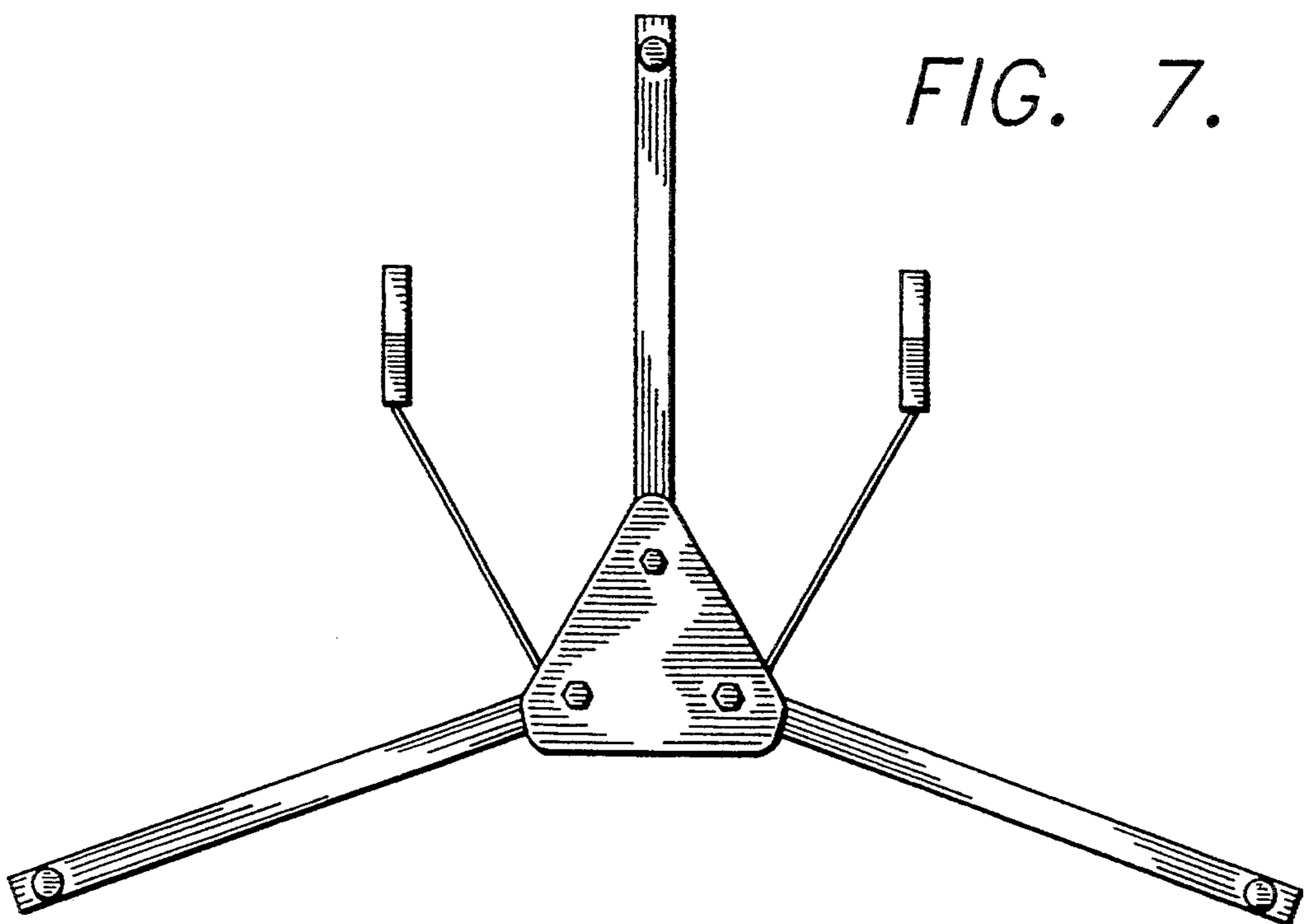


FIG. 7.